

Components and Hardware List

Table Shelf
With Frame



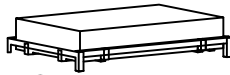
(A) 1 pc.

Metal Leg



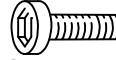
(B) 4 pcs.

Table Top With
Metal Frame



(C) 1 pc.

Ø 5mm x 5mm"
Allen Head Bolt

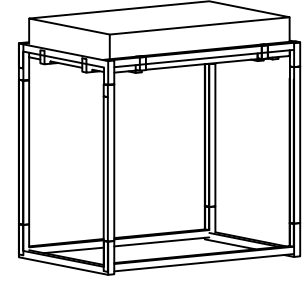


(D) 8 pcs.

5mm Allen
Wrench



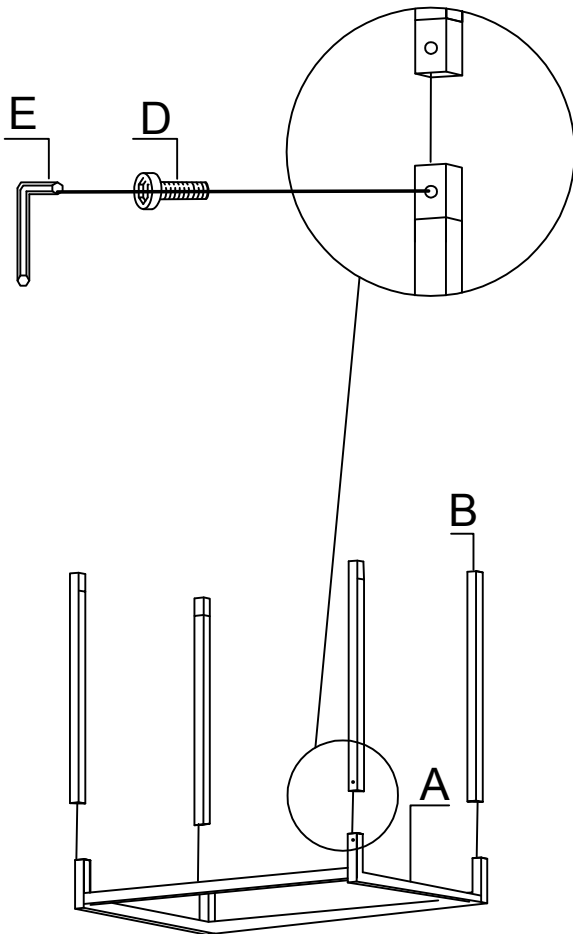
(E) 1 pc.



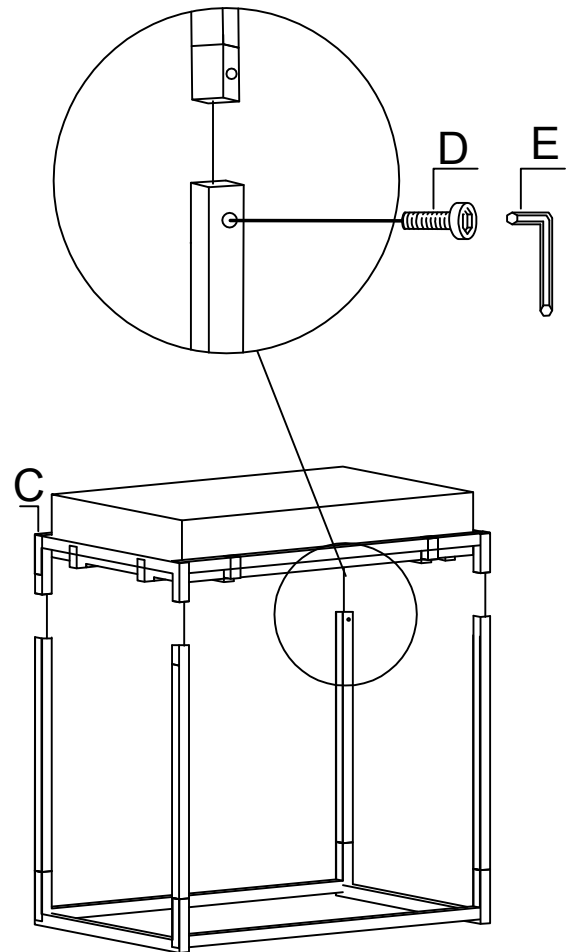
#31609
END TABLE

Be sure to check all packing material carefully for small parts, which may have come loose inside the carton during shipment.

To prevent possible scratches and damage, this furniture should be assembled on a soft surface such as a blanket or carpet.



step 1



step 2