


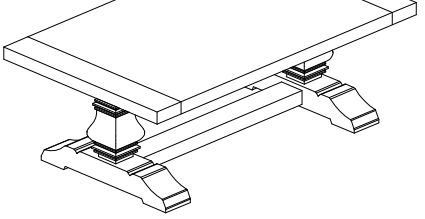



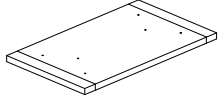
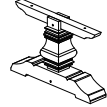
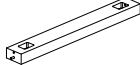


Components and Hardware List

Ø5/16-18 x 1-1/4" long Allen Head Bolt (A)  4 pcs.	Ø5/16-18 x 2" long Allen Head Bolt (B)  4 pcs.	Ø5/16-18 x 3" long Allen Head Bolt (C)  2 pcs.	 <p>#23602 COCKTAIL TABLE</p>
5/16" Spring Washer (D)  10 pcs.	5/16" Flat Washer (E)  10 pcs.	5mm Allen Wrench (F)  1 pc.	
Table Top (G)  1 pc.	Table Column (H)  2 pcs.	Bottom Stretcher (I)  1 pc.	

Be sure to check all packing material carefully for small parts, which may have come loose inside the carton during shipment. Separate and check all parts against the Components and Hardware List above.

Step 1: Attach the Bottom Stretcher (I) between the two Table Columns (H) using the 3" long Allen Head Bolts (C), Spring Washers (D) and Flat Washers (E). Do not fully tighten until after Step 3.

Step 2: Attach the Top Stretcher (J) between the two Table Columns using the 1-1/4" long Allen Head Bolts (A) and the same Washers as before. Do not fully tighten until after Step 3.

Step 3: Carefully place the Table Top (G) upside down on a soft surface such as a blanket or carpet. Position the assembled Stretchers and Columns on the Table Top and attach the Columns using the 2" Allen Head Bolts (B), and the Top Stretchers using the 1-1/4" Bolts (A) and the same Washers as before. Pull all parts snug together and tighten with the Allen Wrench.

Step 4: Set the assembled Table upright.

