


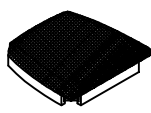

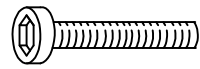
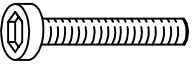
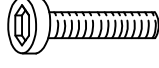


Riverside
FURNITURE

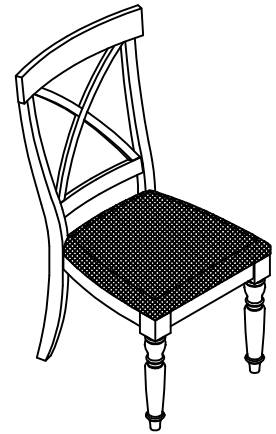
email: info@riverside-furniture.com

Aberdeen
Dining Room
Assembly Instructions

Made in Viet Nam

Components and Hardware List (for one chair)

<p>Chair Back</p>  <p>(A) 1 pc.</p>	<p>Chair Seat</p>  <p>(B) 1 pc.</p>	<p>Front Leg</p>  <p>(C) 2 pcs.</p>	<p>M5/16"-18 x 3-1/4" Allen Head Bolt</p>  <p>(D) 4 pcs.</p>
<p>M5/16" -18x 2-1/4" Long Allen Head Bolt</p>  <p>(E) 4 pcs.</p>	<p>M5/16"-18 x 1-1/2" Long Allen Head Bolt</p>  <p>(F) 2 pcs.</p>	<p>5/16" Spring Washer</p>  <p>(G) 10 pcs.</p>	<p>5/16" x 19 x 2mm Flat Washer</p>  <p>(H) 10 pcs.</p>



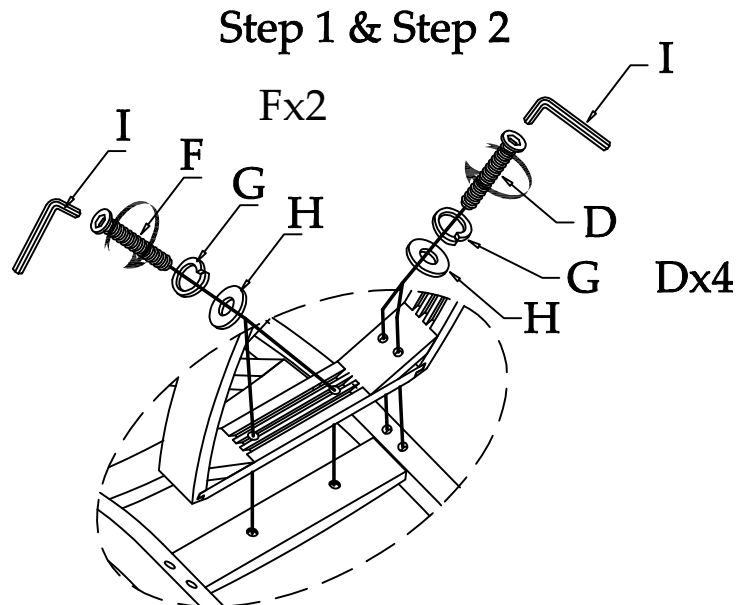
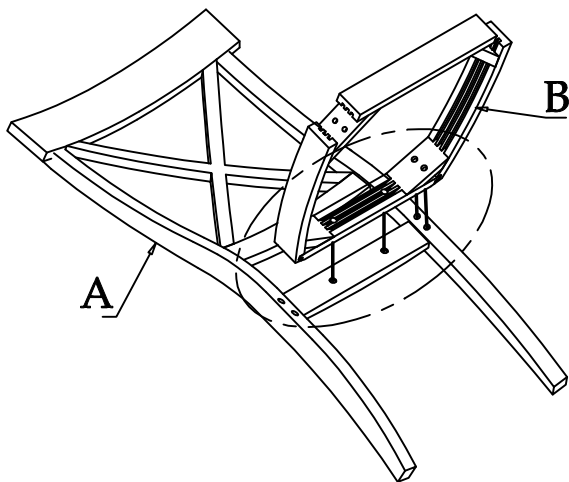
#21358 Side Chair

5mm Allen Wrench



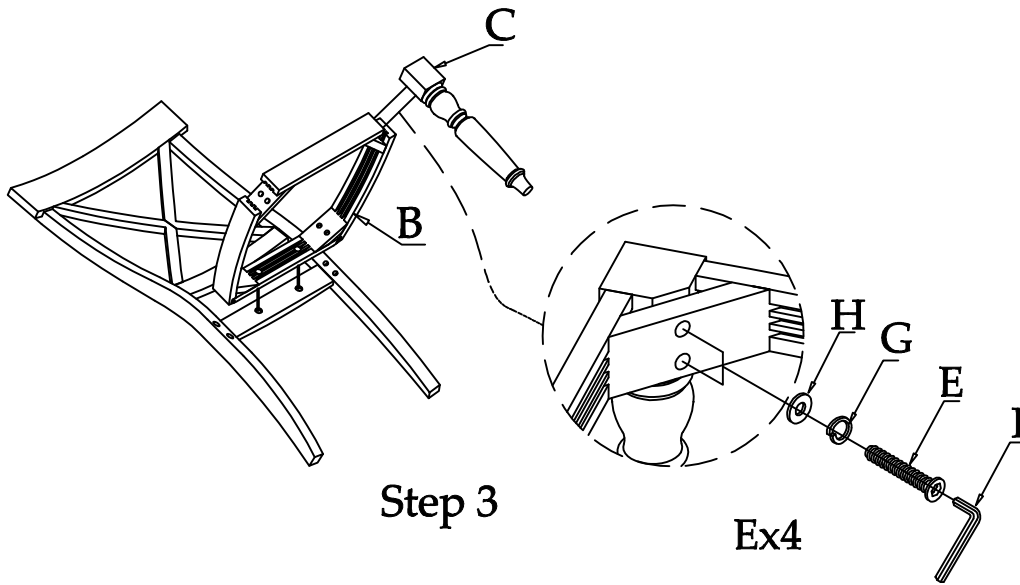
(I) 1 pc.

Be sure to check all packing material carefully for small parts, which may have come loose inside the carton during shipment.

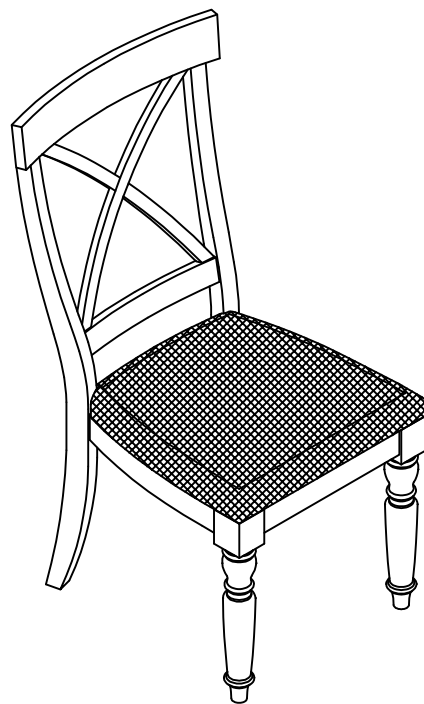


Steps:

1. Place the Chair Back Assembly (A) on a soft and smooth surface such as a blanket or carpet.
2. Attach Chair Seat (B) to the Back Assembly by using the 3-1/4" long Bolt (D) Spring Washer (G) and Flat Washer (H) into the back corners of the Seat and 1-1/2" long Bolt (F) Spring Washer (G) and Flat Washer (H) into the middle of the Seat, as shown. **Do not fully tighten Bolts until after next step.**



3. Attach Front Legs (C) to the Chair Seat (B) by using the 2-1/4" long Bolts (E) Spring Washer (G) and Flat Washer (H) as shown in **Step 3**.
4. Turn the Chair upright on a flat surface to level chair and tighten all Bolts using the Allen Wrench (I).



Step 4