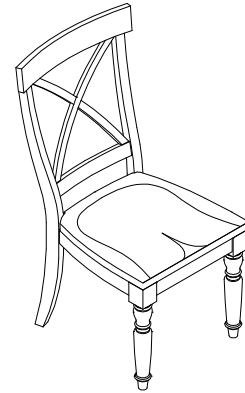


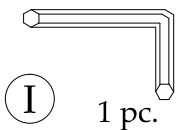
Components and Hardware List (for one chair)



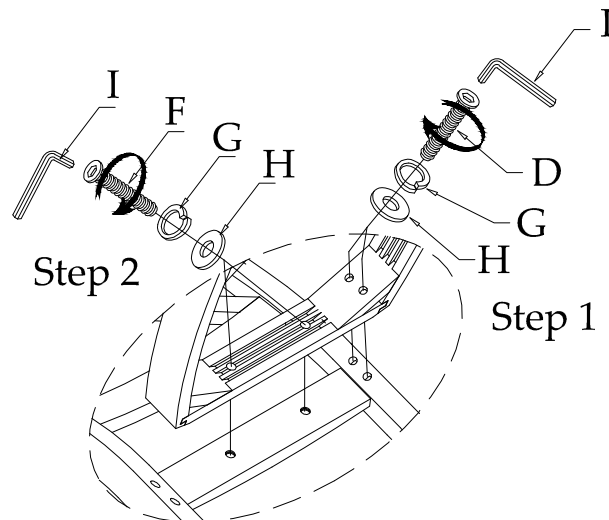
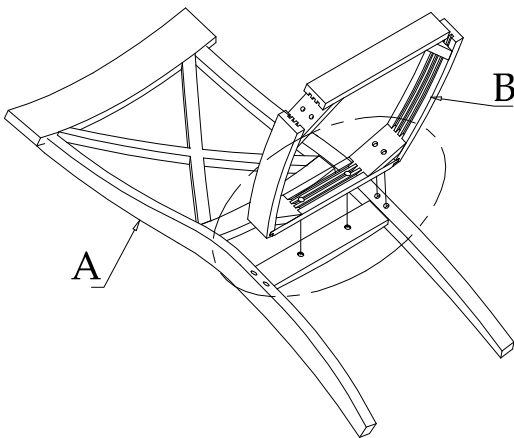
#21258 Side Chair

<p>Chair Back</p> <p>A 1 pc.</p>	<p>Chair Seat</p> <p>B 1 pc.</p>	<p>Front Leg</p> <p>C 2 pcs.</p>	<p>M5/16"-18 x 3-1/4" Allen Head Bolt</p> <p>D 4 pcs.</p>
<p>M5/16" -18 x 2-1/4" Long Allen Head Bolt</p> <p>E 4 pcs.</p>	<p>M5/16"-18 x 1-1/2" Long Allen Head Bolt</p> <p>F 2 pcs.</p>	<p>5/16" Spring Washer</p> <p>G 10 pcs.</p>	<p>5/16" x 19 x 2mm Flat Washer</p> <p>H 10 pcs.</p>

5mm Allen Wrench

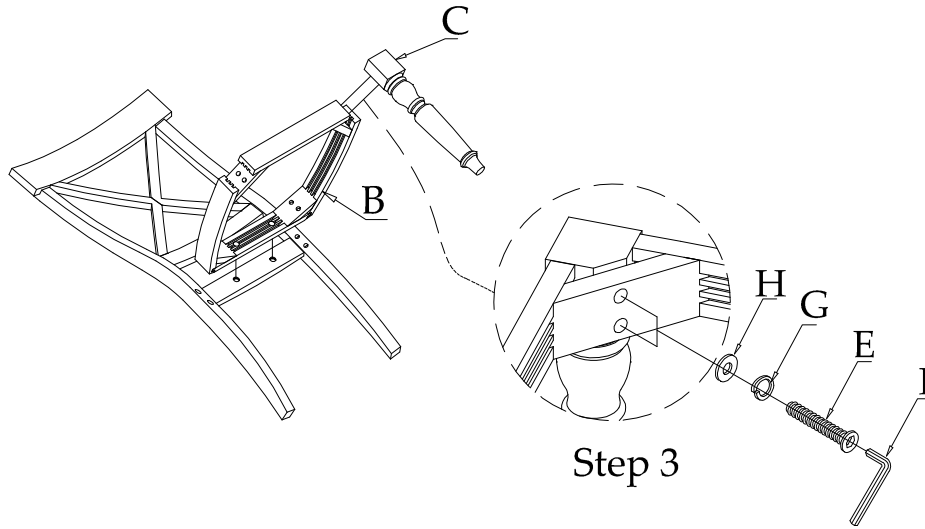


Be sure to check all packing material carefully for small parts, which may have come loose inside the carton during shipment. Separate, count and check all parts against the Parts List and Hardware List above. Failure to use the correct length bolts in the proper locations may result in an unsafe product and could also cause damage to the parts being assembled.



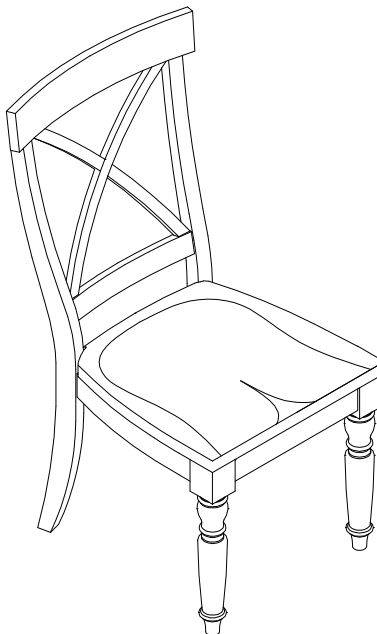
Steps:

1. Place the Chair Back Assembly (A) on a soft and smooth surface such as a blanket or carpet.
2. Attach Chair Seat (B) to the Back Assembly by using the 3-1/4" long Bolt (D) Spring Washer (G) and Flat Washer (H) into the back corners of the Seat and 1-1/2" long Bolt (F) Spring Washer (G) and Flat Washer (H) into the middle of the Seat, as shown. **Do not fully tighten Bolts until after next step.**



Step 3

3. Attach Front Legs (C) to the Chair Seat (B) by using the 2-1/4" long Bolts (E) Spring Washer (G) and Flat Washer (H) as shown in **Step 3**.
4. Turn the Chair upright on a flat surface to level chair and tighten all Bolts using the Allen Wrench (I).



Step 4