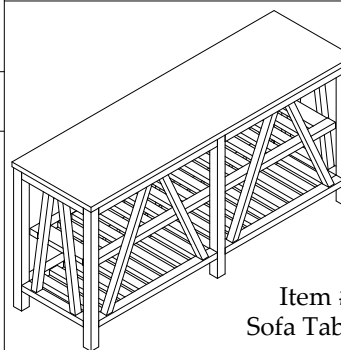


### Components and Hardware List

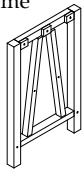
All Wood Components and all Hardware are packed in the #16516 Base Carton.

This one item is in the #16515 Top Carton.



Item #16515  
Sofa Table -- TOP  
Item #16516  
Sofa Table -- BASE

#### Legs Frame



(A) 2 pcs.

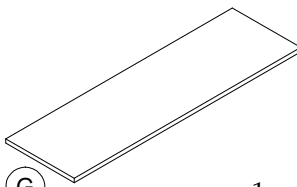
#### Legs Support



(B1) 2 pcs.

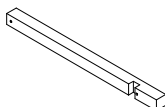


(B2) 2 pcs.



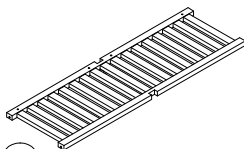
(G) 1 pc.

#### Center Legs



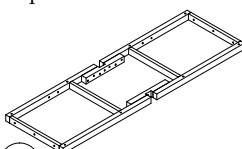
(C) 2 pcs.

#### Bottom Frame



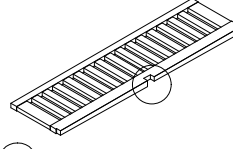
(D) 1 pc.

#### Top Frame



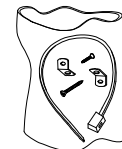
(E) 1 pc.

#### Shelf Frame



(F) 1 pc.

#### Anti-tip restraint kit



(J) 1 pc.

Allen Head Bolt  
Ø6 x 40mm



(H1) 18 pcs.

Allen Head Bolt  
Ø6 x 20mm



(H2) 4 pcs.

Spring Washer  
Ø9 x Ø13mm



(H3) 22 pcs.

Flat Washer  
Ø6 x Ø13mm



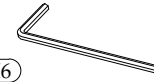
(H4) 22 pcs.

Shelf Pins



(H5) 6 pcs.

4mm Allen Wrench



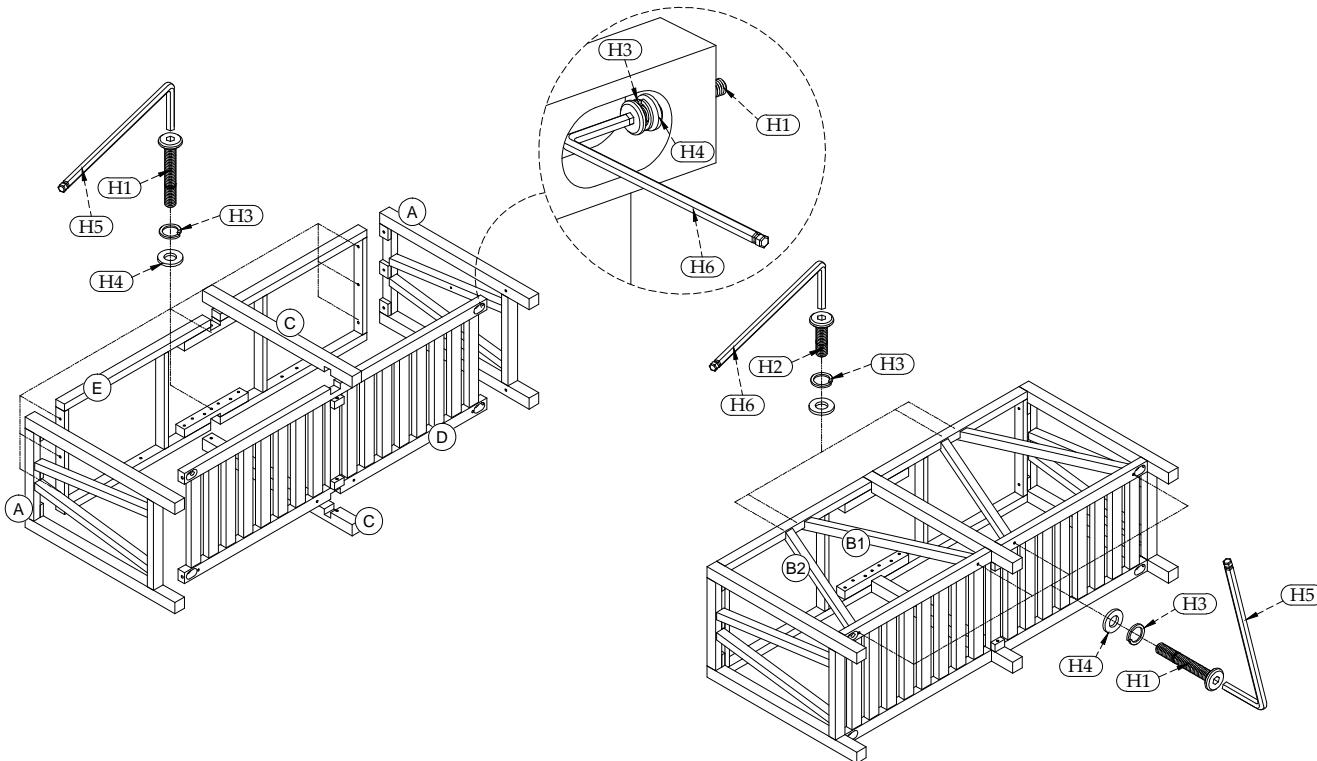
(H6) 1 pc.

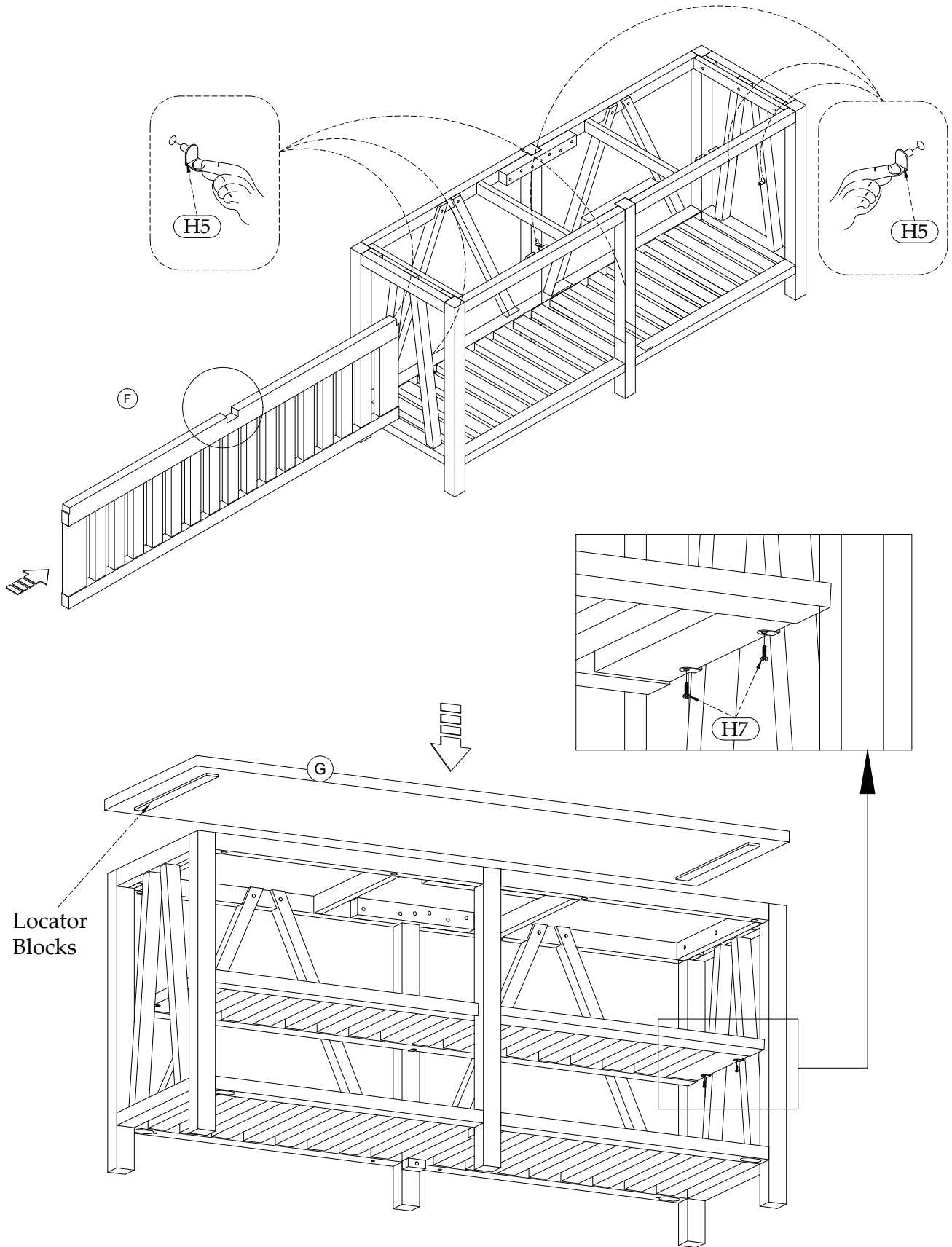
Wood Screws  
Ø3.5 x 15mm



(H7) 6 pcs.

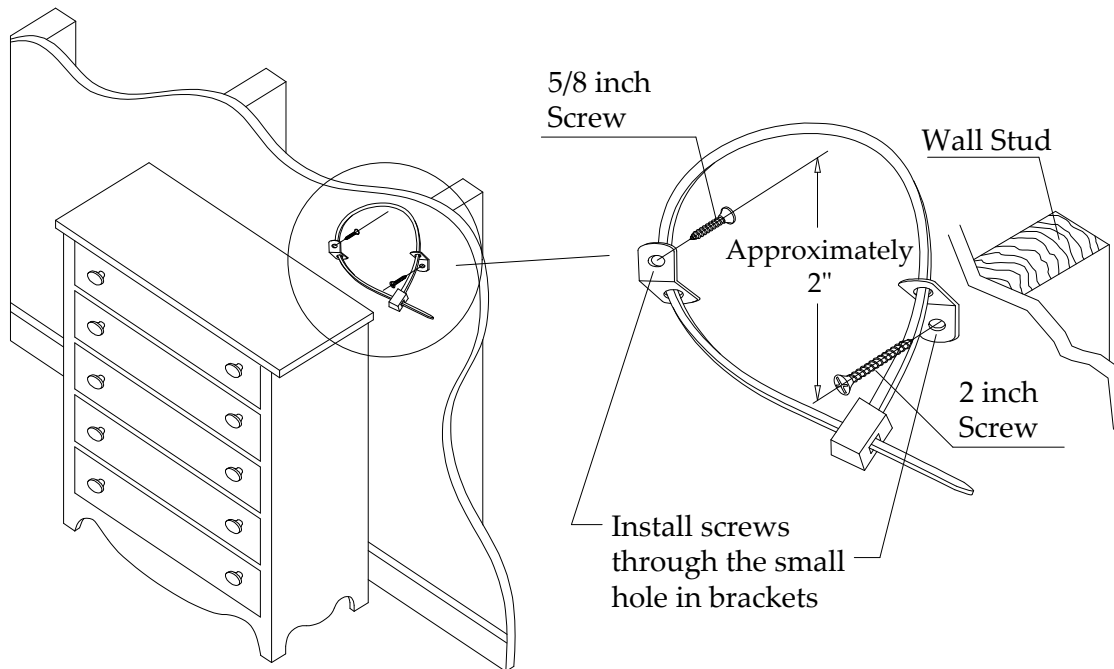
Be sure to check all packing material carefully for small parts, which may have come loose inside the carton during shipment. Separate, count and check all parts against the Parts List and Hardware List above. *Failure to use the correct length bolts in the proper locations may result in an unsafe product and could also cause damage to the parts being assembled.*





## Anti-Tip Hardware Installation Instructions

Notice: Riverside Furniture Corp. recommends that steps be taken for certain furniture items to prevent or minimize the risk of tip-over. This furniture is equipped with Tip-over Restraint Hardware for use to minimize this risk, if used. Please follow below installation steps. Riverside Furniture Corp. recommends that parents and guardians periodically visit the U.S. Consumer Product Safety Commission (CPSC) website at <http://www.cpsc.gov/> and stay up to date on all issues related to children's product safety.



1. Temporarily locate the furniture to near it's final location in the room next to a wall. Locate a wall stud behind your furniture and also mark the stud's location on the back of your furniture.
2. Firmly attach one bracket to the stud approximately 2" below the top of the furniture with the **2 inch long** Wood Screws provided. It may be necessary to drill 3/32 dia. pilot holes for the screws.
3. Firmly attach the other bracket onto a solid, structural part on the back of the furniture using the **5/8 inch long** Wood Screws. It may also be necessary to pilot bore for these screws.
4. Move the furniture into its final position, taking care to line up the wall bracket with the furniture bracket. Thread a strap through the bracket as shown in the illustration. Tighten strap until snug but do not over tighten.

**Caution:** Riverside Furniture Corp. assumes no liability for improper installation or excessive loads placed on screws, brackets or straps. Failure to detach this restraint before moving furniture may result in personal injury and property damage.

**Warning:** This tip-over restraint is not to be a substitute for proper adult supervision. Do not allow children to climb on furniture. Items left on top of the TV and furniture, such as toys, remote controls and treats might tempt young children to climb. Push the TV as far back as possible from the front of its stand. Place electrical cords out of a child's reach, and teach children not to play with the cords.

- Bluestone is a natural, porous, quarried limestone material that can be cut, machined and polished. Each piece of bluestone has unique natural characteristics that affect the color, appearance, and polishing qualities and are not flaws, but add to the natural beauty of bluestone. As with any solid stone product, bluestone is extremely heavy and must be handled with care to avoid damaging the product and to prevent personal injury.
- This stone has been sealed with a wax top coat which can help but may not always prevent the stone from getting etched or tarnished from certain substances. Caution must still be followed to help maintain the natural beauty of the surface. Take care to avoid sharp or abrasive objects and do not place hot items or food directly on the surface. Bluestone tops can be scratched. Riverside recommends using coasters, trivets and placemats under articles that may scratch or otherwise cause damage to the surface. Bluestone may be sealed every 6 months with stone wax, applied and used as directed.
- Avoid contact with glass cleaner, lemon, vinegar, alcohol, acids and oil products. Various food products containing mild acids such as catsup, mustard, etc. may leave an etched area and change the luster of the bluestone surface. Spot clean bluestone with a soft towel and a mild soap and water solution. This product is not intended for outdoor use.