

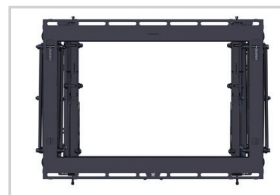
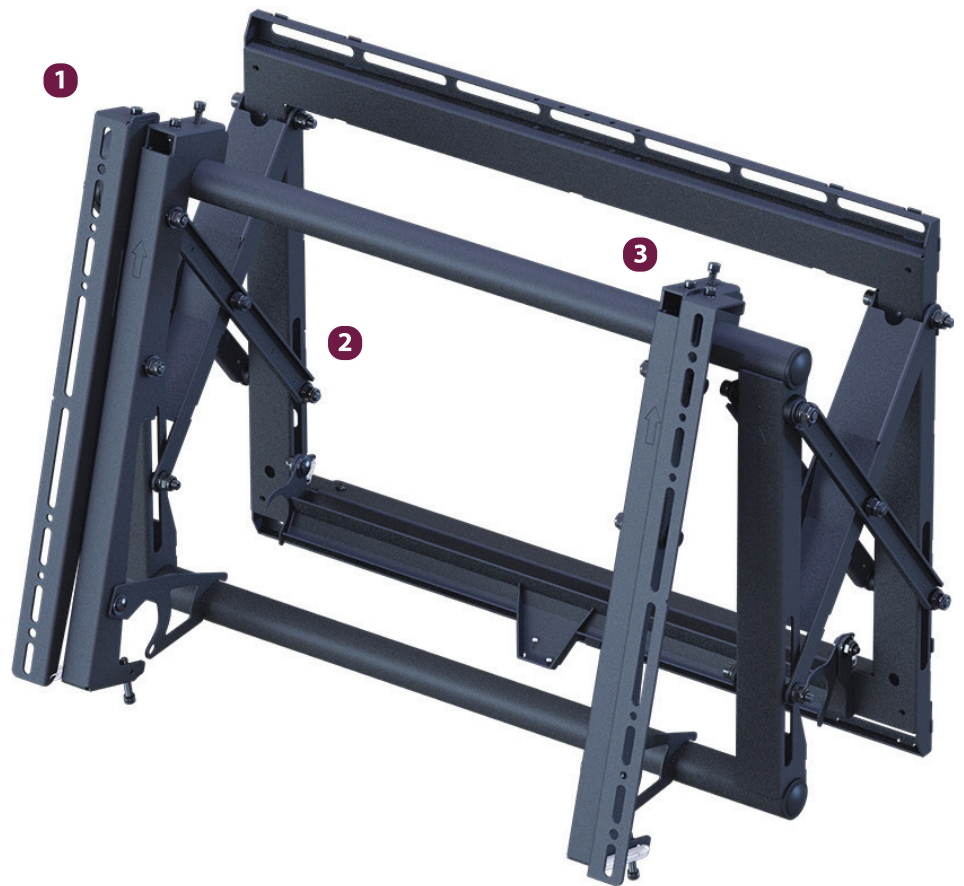
Model: **LMV**

Weight Capacity: 160 lb / 72 kg.

Features

- 1** Industry's first Press & Release™ Design for easy service access in under 5 seconds
 - 2** Scissor-design with compact mounting arms allow for extension in one smooth motion with a slight press to the display edge
 - 3** Top-adjustable fine-tune mounting brackets ensure post-installation alignment
- Spring-loaded locking mechanism provides quick release from locked position
 - “Click-It” locking feature confirms display is secure through an audible noise
 - Single latch design and smaller base frame size provide quick and easy installation
 - Laser cut, precision design spacers ensure seamless alignment without need for time consuming adjustments
 - Universal spacer kit included

The LMV Press & Release™ Pop Out Mount is a customizable video wall extending flat panel mount for displays weighing up to 160 lb./72 kg with a mounting pattern of 200 x 200 (min) to 600 x 400mm (max). It features multi-monitor stacking, spring-loaded release, open design, custom spacers, top adjustable mounting brackets and scissor-design for smooth extension.



Open frame design allows for quick and easy access to cables and wiring



Spring-loaded locking mechanism provides quick release in under 5 seconds



Top-adjustable fine-tune mounting points allow for post-installation alignment

Press & Release Pop Out Mount

LMV



Specifications

Weight 44.38 lb. 20.2 kg	Color Black	Weight Capacity / Mount 160 lb. 72.7 kg	Mounting Pattern 200 x 200 mm (Min) x 600 x 400 mm (Max)
Width x Height x Depth 28.9 x 19.5 x 5.10-13.19 in. 734 x 495 x 129-335 mm		Total Weight Capacity 160 lb. 72.7 kg	Warranty Lifetime

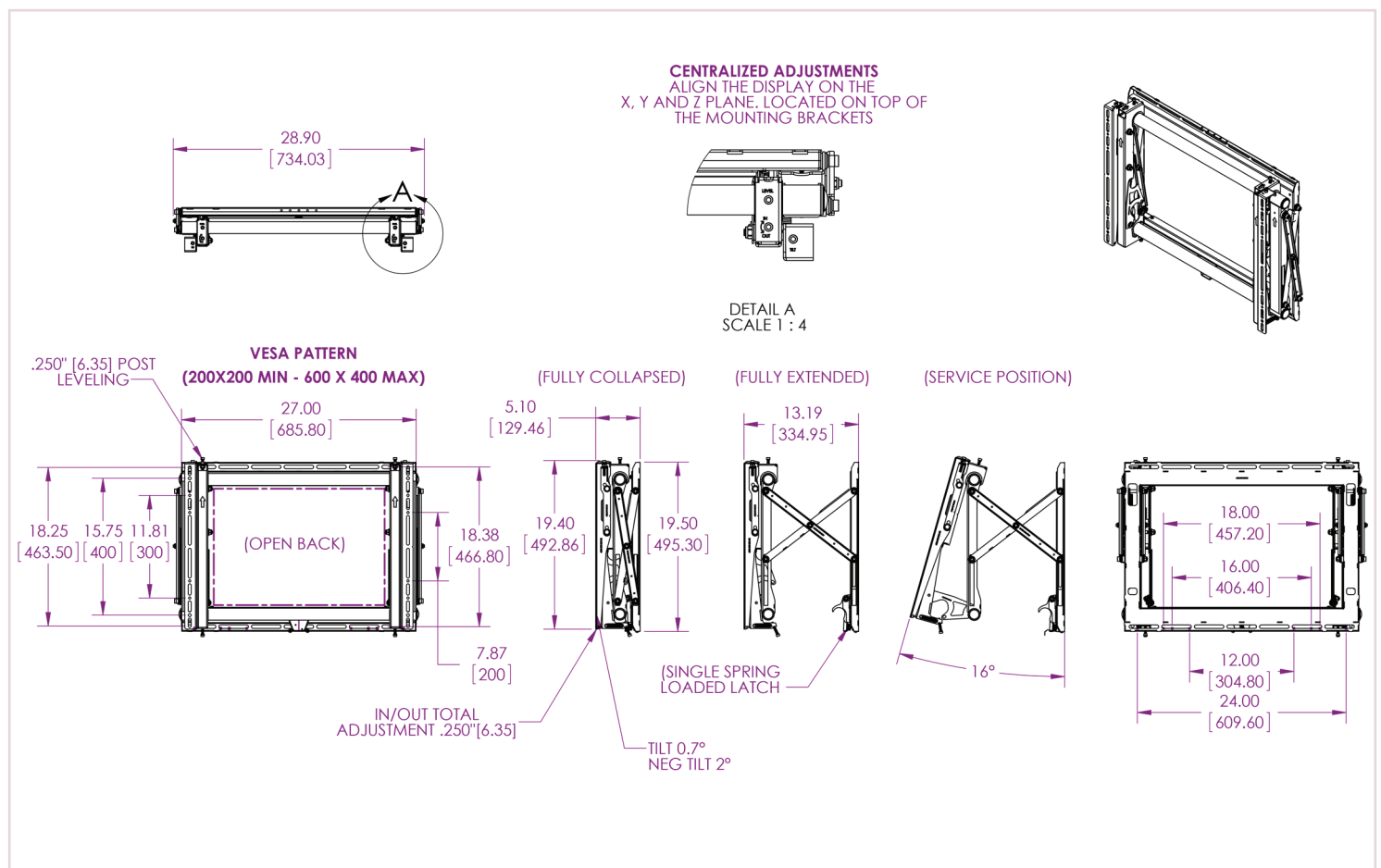
Packaging

Width x Height x Depth 23.5 x 5.5 x 35 in. 597 x 140 x 889 mm	Contents Mount (x1), Adapter Arms (x2), Universal Hardware Pack (x1)
---	--

Accessories

 In-wall A/V and Power GearBox™ GB-INWAVPB	 Model-Specific Video Wall Spacer LMV-345	 Model-Specific Video Wall Spacer LMV-406
---	--	--

Architectural Drawing



Specifications subject to change without notice

T: 800.368.9700 Int'l: +001.714.632.7100 | www.mounts.com | 1321 S. State College Blvd., Fullerton, CA 92831 USA



Visit mounts.com to see the complete line of AV solutions from Premier Mounts, including flat-panel mounts, projector mounts, carts/stands, and a full assortment of accessories.
© 2015 Premier Mounts. All rights reserved.

Rev. 06-15-09