

FLIP-B

VESA Swingout Mount for Flat-Panels

LIST \$74.00	Color: Black
Weight	3.00 lb. 1.4 kg
Weight Cap. per Head	20 lb. 9.1 kg
Mounting Pattern	50 x 50, 75 x 75, 100 x 100 mm
Display Range	10.00 - 24.00 in
Rotation	+360°

Downloads at Mounts.com



[Data Sheet](#)



[Bid Specification Document](#)



20 lb.



50 x 50



75 x 75



100 x 100



10-24 in

DESCRIPTION

The FLIP-B mount allows a flat-panel to be mounted anywhere on a flat surface. It can be mounted underneath a cabinet, on a table, desk or on a wall. Holds equipment or displays up to 20 lb. or with a VESA pattern of 50x50mm, 75x75mm or 100x100mm (typical screen size of up to 24 in.).

FEATURES

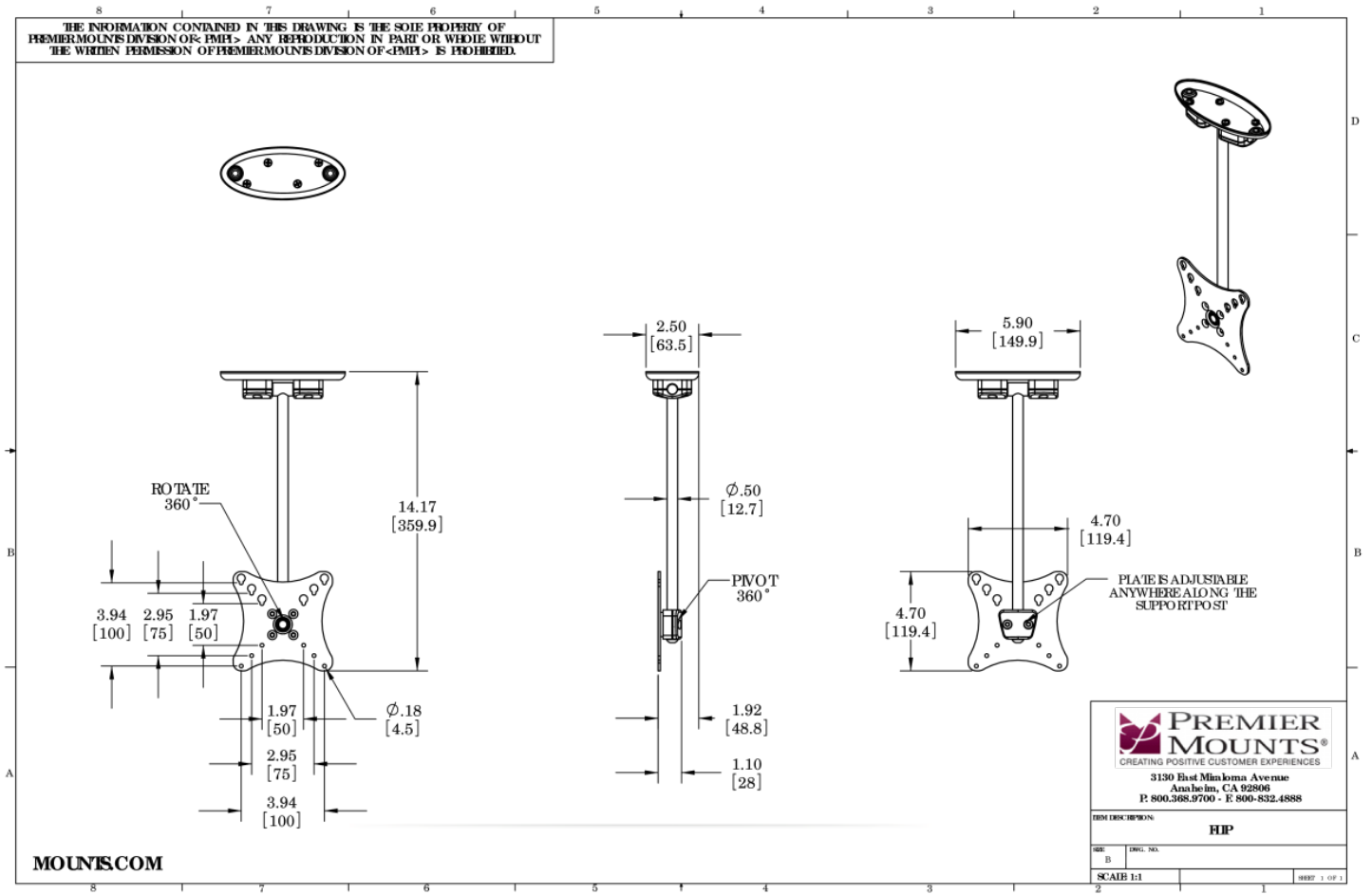
- Ideal mount for interactive touch panels, card swipe, satellite and cable boxes, Apple TV's, small media players or mini computers
- Flexible display positioning
- 50x50mm, 75x75mm and 100x100mm VESA mounting patterns
- Includes vertical adapter bracket for added flexibility
- Mounts underneath cabinets, on table tops, walls or any other flat surface



FLIP-B

VESA Swingout Mount for Flat-Panels

DOWNLOAD FULL SIZE CAD FILES AND DIMENSIONAL DRAWINGS AT MOUNTS.COM



World Headquarters | 1321 S. State College Blvd., Fullerton, CA 92831 | 800.368.9700 USA | F 800.832.4888 | www.mounts.com

© 2014 PREMIER MOUNTS | Rev.01 | 10.2011