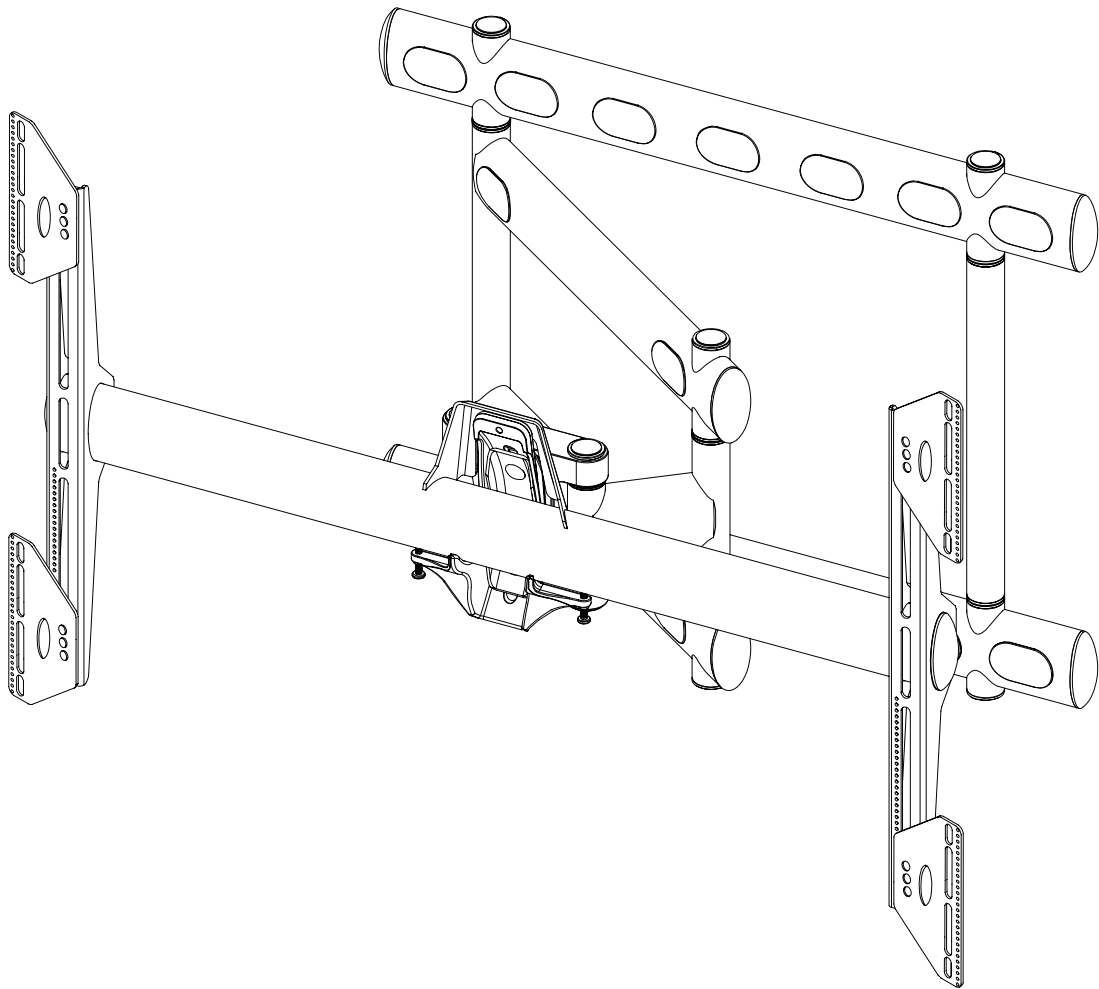


AM300 / AM300-B

Installation Guide

Installationsanleitung, Guía de Instalación, Guida de Installazione, Guide d'Installation, Installatie gids



www.mounts.com | North America 800.368.9700 | International +1-714-632-7100
1321 S. State College Blvd., Fullerton, CA 92831 USA



Weight Limit

Maximum Flat Panel Weight: **300 lbs.**

THE WALL STRUCTURE MUST BE CAPABLE OF SUPPORTING AT LEAST FOUR TIMES THE WEIGHT OF THE FLAT PANEL. IF NOT, THE WALL STRUCTURE MUST BE REINFORCED.

Warning Statements



PRIOR TO THE INSTALLATION OF THIS PRODUCT, THE INSTALLATION INSTRUCTIONS MUST BE READ AND COMPLETELY UNDERSTOOD. KEEP THESE INSTALLATION INSTRUCTIONS IN AN EASILY ACCESSIBLE LOCATION FOR FUTURE REFERENCE.



PROPER INSTALLATION PROCEDURE BY A QUALIFIED SERVICE TECHNICIAN MUST BE FOLLOWED, AS OUTLINED IN THESE INSTALLATION INSTRUCTIONS. FAILURE TO DO SO COULD RESULT IN PROPERTY DAMAGE, SERIOUS PERSONAL INJURY, OR EVEN DEATH.



SAFETY MEASURES MUST BE PRACTICED AT ALL TIMES DURING THE ASSEMBLY OF THIS PRODUCT. USE PROPER SAFETY EQUIPMENT AND TOOLS FOR THE ASSEMBLY PROCEDURE TO PREVENT PERSONAL INJURY.



PREMIER MOUNTS DOES NOT WARRANT AGAINST DAMAGE CAUSED BY THE USE OF ANY PREMIER MOUNTS PRODUCT FOR PURPOSES OTHER THAN THOSE FOR WHICH IT WAS DESIGNED OR DAMAGE CAUSED BY UNAUTHORIZED ATTACHMENTS OR MODIFICATIONS, AND IS NOT RESPONSIBLE FOR ANY DAMAGES, CLAIMS, DEMANDS, SUITS, ACTIONS OR CAUSES OF ACTION OF WHATEVER KIND RESULTING FROM, ARISING OUT OF OR IN ANY MANNER RELATING TO ANY SUCH USE, ATTACHMENTS OR MODIFICATIONS.



At least two qualified people should perform the assembly procedure. Personal injury and/or property damage can result from dropping or mishandling the flat panel.



If mounting to wall studs or ceiling studs, make sure that the mounting screws are anchored into the center of the wall studs or ceiling studs. Use of an edge-to-edge stud finder is recommended.



It is recommended that a maximum of 5/8" plaster board be used when mounting to wooden studs.



Be aware of the mounting environment. If drilling and/or cutting into the mounting surface, always make sure that there are no electrical wires in wall. Cutting or drilling into an electrical line may cause serious personal injury.



Make sure there are no water or natural gas lines inside the wall where the mount is to be located. Cutting or drilling into a water or gas line may cause severe property damage or personal injury.



This product is intended for indoor use only. Use of this product outdoors could lead to product failure and/or serious personal injury.



Do not install near sources of high heat. Do not install on a structure that is prone to vibration, movement or chance of impact.

AVERTISSEMENT



AVANT L'INSTALLATION DE CE PRODUIT, LES CONSIGNES D'INSTALLATION DOIVENT ÊTRE LUES ET PLEINEMENT COMPRISES. CONSERVER CES CONSIGNES D'INSTALLATION DANS UN ENDROIT FACILEMENT ACCESSIBLE POUR RÉFÉRENCE FUTURE.



LA PROCÉDURE D'INSTALLATION CORRECTE PAR UN TECHNICIEN QUALIFIÉ DOIT ÊTRE OBSERVÉE, COMME DÉCRIT DANS CES CONSIGNES D'INSTALLATION. FAUTE DE QUOI DES DOMMAGES MATÉRIELS, BLESSURES GRAVES, VOIRE MÊME LA MORT PEUT SUBVENIR.



DES MESURES DE SÉCURITÉ DOIVENT ÊTRE PRATIQUÉES À TOUT MOMENT DURANT L'ASSEMBLAGE DE CE PRODUIT. UTILISER L'ÉQUIPEMENT ET OUTILS DE SÉCURITÉ APPROPRIÉ POUR LA PROCÉDURE D'ASSEMBLAGE AFIN D'ÉVITER DES BLESSURES.



LES SUPPORTS PREMIER MOUNTS NE GARANTISSENT PAS CONTRE LES DOMMAGES CAUSÉS PAR L'USAGE DU PRODUIT DE MONTAGE PREMIER MOUNTS À D'AUTRES FINS QUE CELLES POUR LESQUELLES IL A ÉTÉ CONÇU OU DES DOMMAGES CAUSÉS PAR DES ACCESSOIRES OU DES MODIFICATIONS NON AUTORISÉS, ET NOUS NE POUVONS PAS ÊTRE TENUS RESPONSABLES DES DOMMAGES, PLAINTES, RÉCLAMATIONS, POURSUITES, ACTIONS OU CAUSES D'ACTION DE N'IMPORTE QUELLE MANIÈRE RÉSULTANT DE, DÉCOULANT DE OU TOUCHANT DE N'IMPORTE QUELLE MANIÈRE UN TEL USAGE, ACCESSOIRE OU MODIFICATION



Au moins deux personnes qualifiées devraient exécuter la procédure d'assemblage. Il pourrait subvenir des blessures et/ou des dommages matériels dû à la chute ou à la manipulation incorrecte de l'écran plat.



Si le montage s'effectue sur des rivets, assurez-vous que les vis de montage sont ancrées au centre des rivets. L'usage d'un détecteur de rivet bord-à-bord est recommandé.



Il est recommandé qu'un maximum de plaque-plâtre de 5/8" soit utilisé lors d'un montage sur des rivets à bois.



Familiarisez-vous avec l'environnement de montage. Si un perçage et/ou une coupe est opéré sur la surface de montage, assurez-vous toujours qu'il n'y a pas de fils électriques dans le mur. Couper/percer dans une installation électrique peut causer des blessures graves.



S'assurer qu'il n'y a pas de canalisation d'eau à l'intérieur du mur où le montage doit être localisé. Une coupe/perçage dans une canalisation d'eau peut causer sérieusement endommager le circuit d'eau au niveau de la surface de montage.



Ce produit n'est destiné qu'à être utilisé à l'intérieur. L'utilisation de ce produit à l'extérieur pourrait entraîner des défauts matériels et/ou des blessures graves.

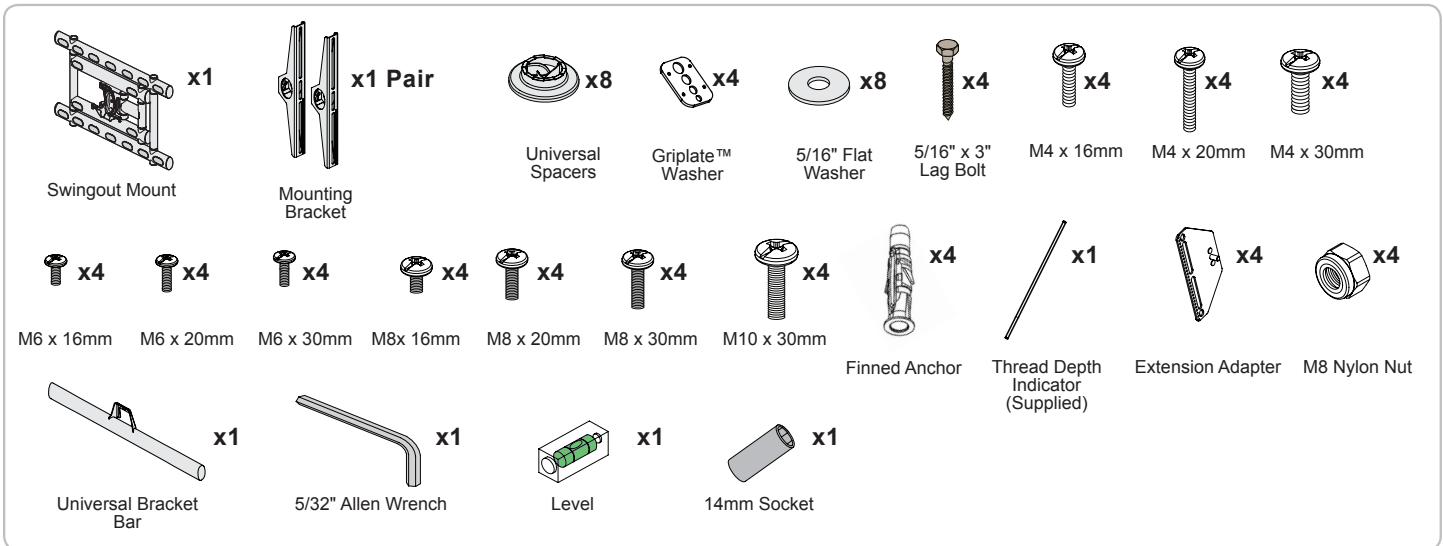


Ne pas installer près de sources de forte chaleur. Ne pas installer sur une structure soumise aux vibrations, aux mouvements ou aux chocs.

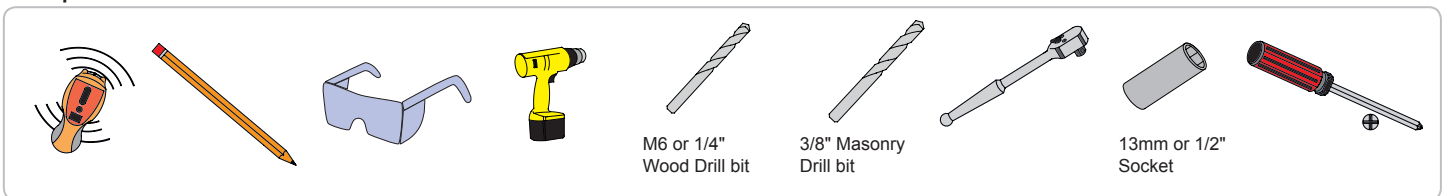
AM300 / AM300-B Installation Guide

Installationsanleitung, Guía de Instalación, Guida de Installazione, Guide d'Installation, Installatie gids

Included components



Required for installation



Introduction

The following procedures instruct you on installing your AM300/AM300-B Universal Swingout Arm on to wall studs or a concrete wall. Please read these installation instructions once thoroughly before attempting to install your Premier Mounts product.

Please take a minute to familiarize yourself with the contents of the package and make sure you have all the parts and tools you need to safely complete the installation.

In addition, some steps of this installation may require two people to prevent personal injury and/or damage to your flat panel. Please obey all warnings in the following installation procedure, observe safe installation practices, and utilize proper safety equipment at all times.

Proceed to the **"Mount Orientation"** section.



AM300 / AM300-B

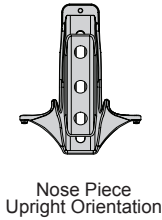
Installation Guide

Installationsanleitung, Guía de Instalación, Guida de Installazione, Guide d'Installation, Installatie gids

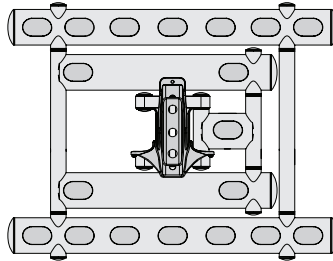
Mount Orientation

Your AM300/AM300-B Universal Swingout Arm is designed to be installed with the Swingout Arm opening to either the left-hand or right-hand side. Simply invert the AM300/AM300-B Universal Swingout Arm and re-orient the Nose Piece.

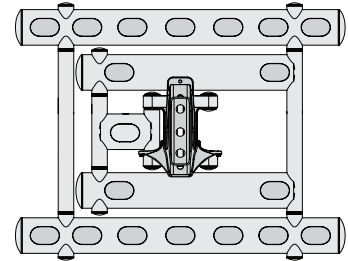
Proceed to the “Nose Piece Orientation” section.



Nose Piece Upright Orientation



Left-Hand Swingout Arm Orientation



Right-Hand Swingout Arm Orientation

Nose Piece Orientation

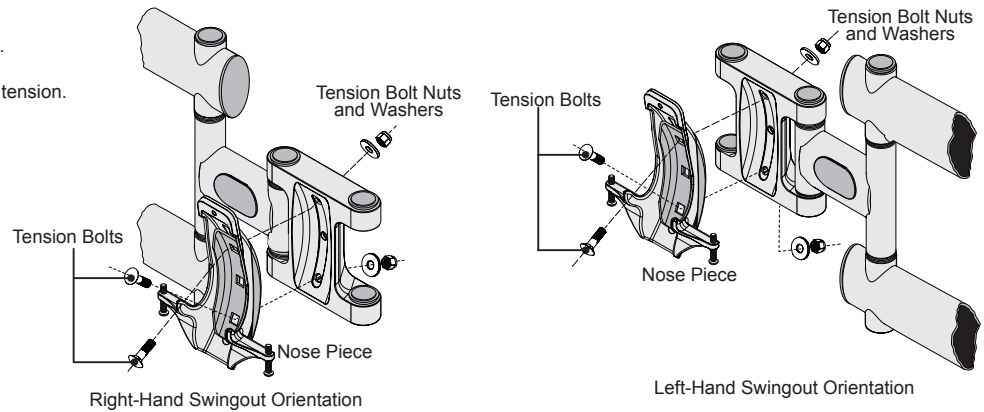
- 1) Remove the Nose Piece by removing the tension bolts, tension bolt nuts, and washers.
- 2) Detach the Nose Piece assembly, rotate it 180°, and place it back onto your Swing out Arm.
- 3) Slide the tension bolts back into the holes and attach the tension bolts nuts and washers from the backside of the Nose Piece Assembly.
- 4) Tighten the tension bolts.



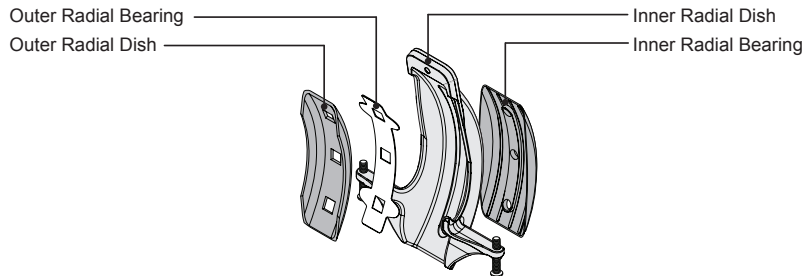
Do not overtighten the tension bolts.



Éviter de trop serrer les boulons de tension.



The Nose Piece consists of four parts that must stay together in the order that they were manufactured. If they become separated during any of the Nose Piece Orientation steps, re-assemble the parts in the order shown below.



If you will be installing your AM300/AM300-B mount on to a wood stud surface, proceed to the “Wood Stud Installation” section.

If you will be installing your AM300/AM300-B mount on to a concrete surface, proceed to the “Concrete Installation” section.



If you are installing your AM300-AM300-B mount to wood studs, the drywall must be at least 1/2” thick.



Si l'on veut installer le support AM300/AM300-B sur des rivets à bois, la plaque de plâtre doit être au moins de 1/2” d'épaisseur.









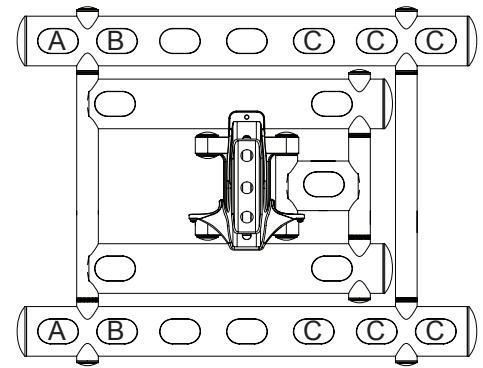
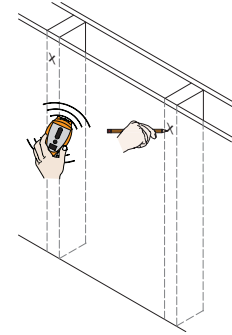
AM300 / AM300-B Installation Guide

Installationsanleitung, Guía de Instalación, Guida de Installazione, Guide d'Installation, Installatie gids

1

Wood Installation

-  Minimum of 2 x 4 wood stud to be used
-  Minimum de 2 x 4 bois goujon pour être utilisé
-  You must secure the mount to two (2) wall studs with a minimum of four (4) lag bolts (2 lag bolts for each stud found).
-  Vous devez assembler le Mont sur deux (2) rivets à bois avec un minimum de quatre (4) tirefonds (2 tirefonds pour chaque rivet trouvé).
-  Do not overtighten the lag bolts.
-  Éviter de trop serrer les tirefonds.



You must install minimum of four mounting points. Use a washer on each lag bolts. A and B mounting points are a must. The other two can be in any C locations.





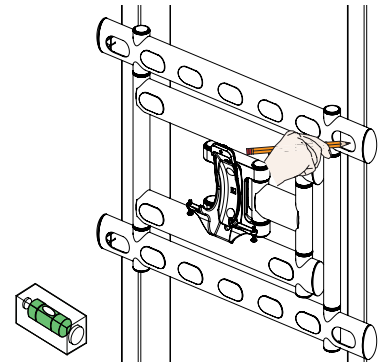
Vous devez installer un (1) tirefond et une rondelle sur un rivet à bois à l'un des deux points de montage A **OU** à tous les deux points de montage B

ET

vous devez installer un (1) tirefond et une rondelle sur le rivet à bois à l'un des deux (2) points de montage C, un (1) au point de montage supérieur et un (1) au point de montage inférieur.



2

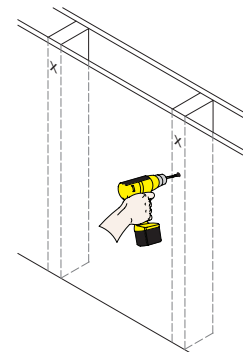
-  Two people are recommended for this step; one person to level the Mount and another person to mark the wall stud location.
 -  Il est recommandé deux personnes pour cette étape : une personne pour niveler le Mont et une autre personne pour marquer l'emplacement de l'ossature murale à claire-voie.
- 1) Place the mount against the wall in the desired viewing location.
 - 2) Adjust the mount to align the mount slots in the wall plate with the center of the wall studs.
 - 3) Level the mount.
 - 4) Use a pencil to mark the upper right mounting location along the center of the wall stud.



3

Drill a "pilot hole" in the center of the upper right mark using a 1/4" drill bit and power drill.

-  Only use a 1/4" drill bit when drilling pilot holes.
-  N'utiliser qu'un foret de 1/4" lors du forage de guidage.



AM300 / AM300-B

Installation Guide

Installationsanleitung, Guía de Instalación, Guida de Installazione, Guide d'Installation, Installatie gids

4

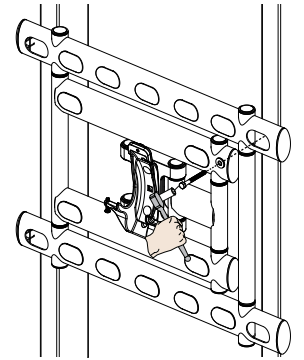
- 1) Place the Mount against the wall and align it with the pilot hole.
- 2) Insert one (1) 5/16"x 3" lag bolt and one (1) 5/16" washer into the upper right pilot hole.
- 3) Use a socket wrench and a 1/2" socket to tighten the lag bolt.



Do not overtighten the lag bolt.

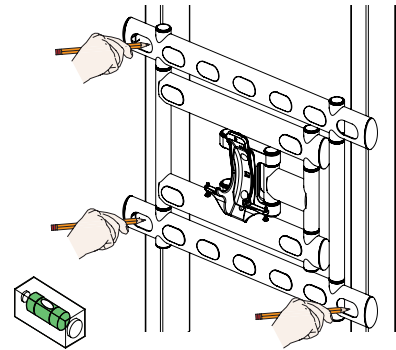


Éviter de trop serrer les tirefonds.



5

- 1) Level the wall plate.
- 2) Use a pencil to mark the remaining three (3) mounting locations along the center of each wall stud.



6



Two people are recommended for this step; one person to level the wall plate and another person to drill the pilot holes.



Il est recommandé deux personnes pour cette étape : une personne pour niveler la sablière et une autre personne pour percer le forage de guidage.

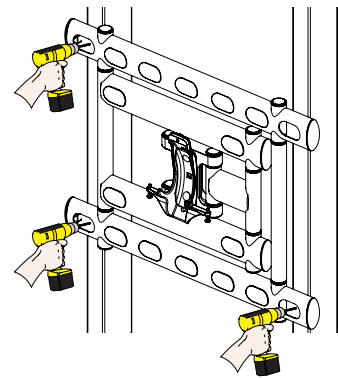
Drill a "pilot hole" in the center of each of the marks with a power drill and a 1/4" drill bit.



Only use 1/4" drill bit when drilling the pilot holes.



N'utiliser qu'un foret de 1/4" lors du forage de guidage.



7

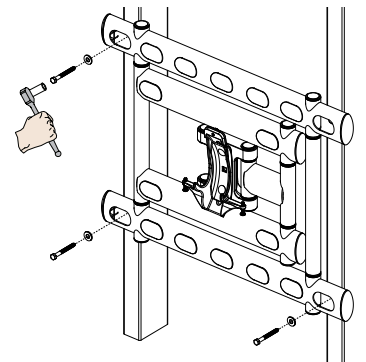
- 1) Insert one (1) 5/16" x 3" lag bolt and one (1) 5/16" washer into each pilot hole
- 2) Tighten all lag bolts using a socket wrench and 1/2" socket.



Do not overtighten the lag bolts when attaching the mount to the wall. Improper installation may result in personal injury or property damage.



Éviter de trop serrer les tirefonds lors de la fixation du support au mur. Une installation incorrecte peut entraîner des blessures ou des dommages matériels.





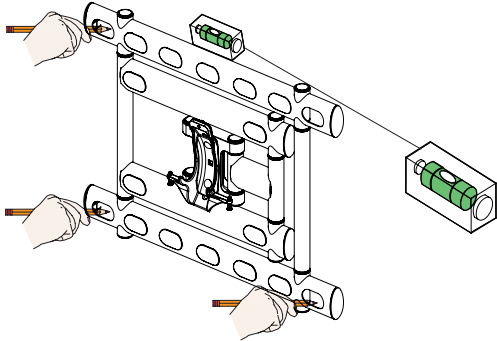
AM300 / AM300-B Installation Guide

Installationsanleitung, Guía de Instalación, Guida de Installazione, Guide d'Installation, Installatie gids

8



Concrete Installation

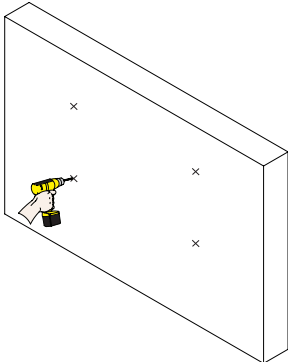
-  Two people are recommended for this step: one person to level the wall plate and another person to mark the mounting locations.
-  Il est recommandé deux personnes pour cette étape : une personne pour niveler la sablière et une autre personne pour marquer les emplacements de montage.



9

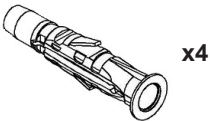
Drill four (4) pilot holes of each mark using a drill and 3/8" masonry drill bit. Drill 3 inches deep.

-  Only use a 3/8" masonry drill bit when drilling pilot holes.
-  N'utiliser qu'un foret de 3/8" lors du forage de guidage.

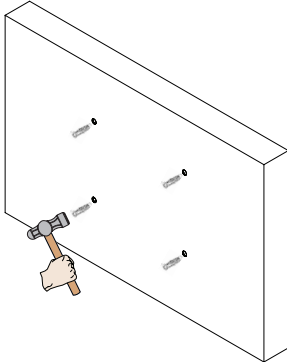


10

Insert a Finned Anchor into each hole. Lightly tap each Finned Anchors into place with a hammer.





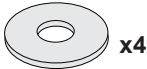
Finned Anchor



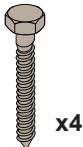
11

Insert the lag bolts and washers into the Finned anchors. Tighten all lag bolts using a socket wrench and 1/2" socket.

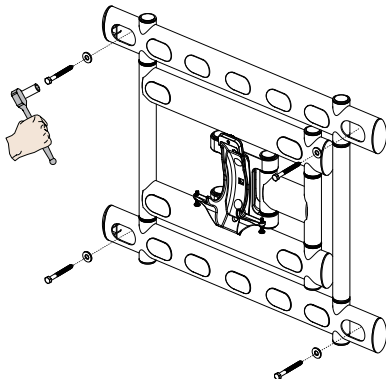
-  Do not over tighten the lag bolts.
-  Éviter de trop serrer les tirefonds.



5/16" Flat Washer



5/16" x 3" Lag Bolt



AM300 / AM300-B

Installation Guide

Installationsanleitung, Guía de Instalación, Guida de Installazione, Guide d'Installation, Installatie gids

12

Selecting the Mounting Hardware

- 1) Insert a small straw or toothpick into the threaded inserts found on the back of the flat panel.
- 2) Use a pencil to mark the depth of the threaded insert on the small straw or toothpick.
- 3) Mark the straw or toothpick 1/8" above the depth of the threaded insert, as shown in Figure 1.
- 4) Insert the small straw or toothpick into the remaining threaded inserts to compare verify their depth using the straw or toothpick's 1/8 allowance mark.
- 5) Locate the correct diameter screw for the threaded insert.



If the screw you selected is longer than the 1/8" allowance mark on the small straw or toothpick, as shown in Figure 2 and Figure 3, do not use this screw. The screw length must not bypass the mark.



Si la vis que vous sélectionnez est plus longue que la marque de jeu maximal de 1/8" sur le pailon ou le cure-dents, comme illustré sur le schéma 2 et le schéma 3, veuillez ne pas utiliser cette vis. La longueur de la vis doit dévier la marque.

- 6) Test each size of the screws provided.

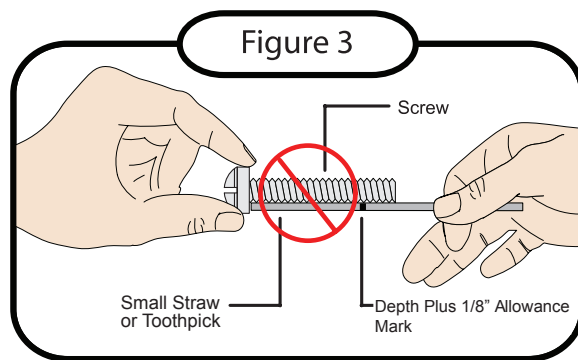
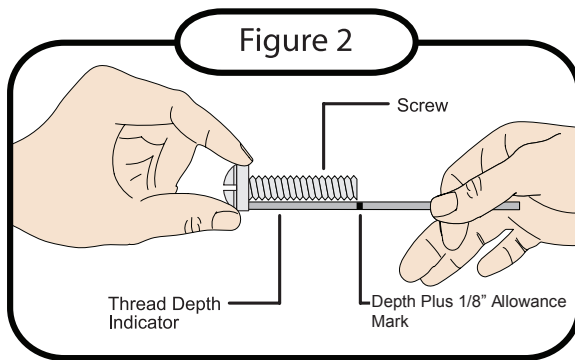
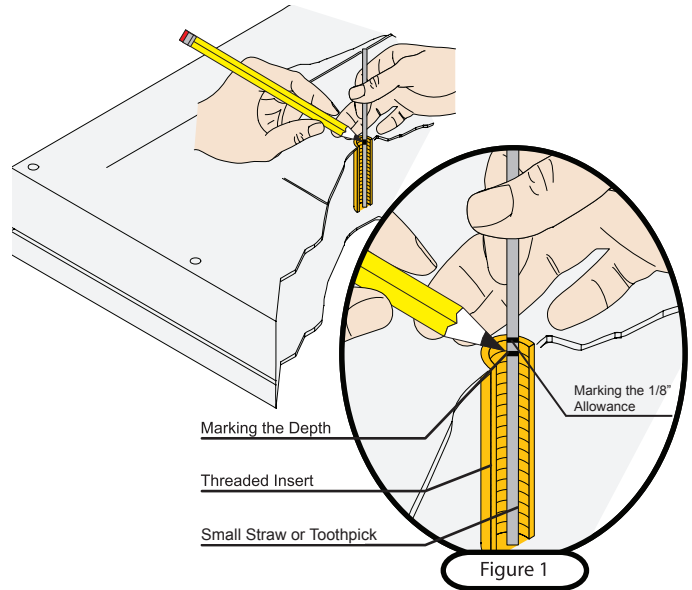
The correct screws should thread easily into the mounting point and not pull out when tension is applied.



You must account for the bracket, spacer and Griplate™ Depths when using the Thread Depth Indicator to measure the thread depth of your flat panel.



Vous devez prendre en compte les profondeurs de support, d'entretoises et de Griplate™ lorsque vous utilisez la jauge de profondeur de filetage pour mesurer la profondeur de filetage de votre écran plat.










AM300 / AM300-B Installation Guide


Installationsanleitung, Guía de Instalación, Guida de Installazione, Guide d'Installation, Installatie gids

13 Griplate™ Washer Installation

Premier Mounts' Griplate™ washers are designed to accommodate the various M4, M5, M6 and M8 hole sizes required by flat panels.

-  Do not place excessive pressure on the back of the flat panel, as this may damage your flat panel.
-  Éviter de placer une pression excessive à l'arrière de l'écran plat, car cela risque d'endommager votre écran plat.
-  The Griplate™ washer must be installed between the head of the mounting screw and the mounting bracket as shown.
-  La rondelle Griplate™ doit être installée entre le chapeau de la vis de fixation et le support de montage comme illustré.
-  The dimples on the Griplate™ washers must be oriented as follows:
-  Les empreintes du pointeau de fixation sur les rondelles Griplate™ doivent être orientées comme suit :
 - The Griplate™ Washers installed at the top of the flat panel must have the points of the dimples facing away from the flat panel.
 - The Griplate™ Washers installed at the bottom of the flat panel must have the points of the dimples facing towards the flat panel.

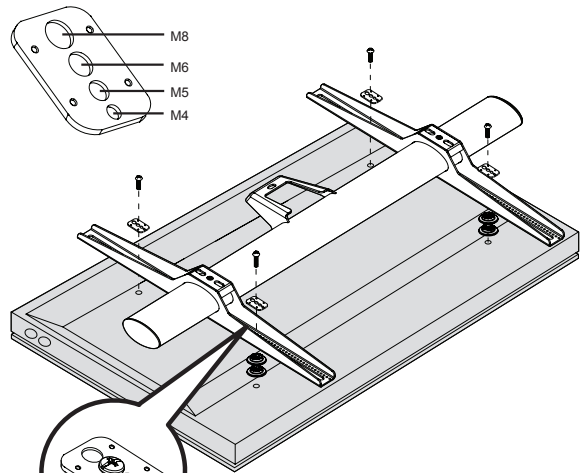
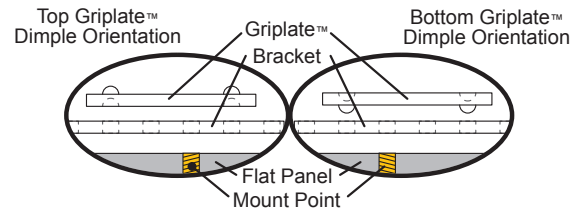
 Does your flat panel have:

 Votre écran plat est-il muni de :

- Recessed mount points?
- Uneven mounts points?
- A curved back?
- Any obstruction near the mount point?





If **Yes**, you must install Universal Spacer. Proceed to the "**Universal Spacer installation**" section.

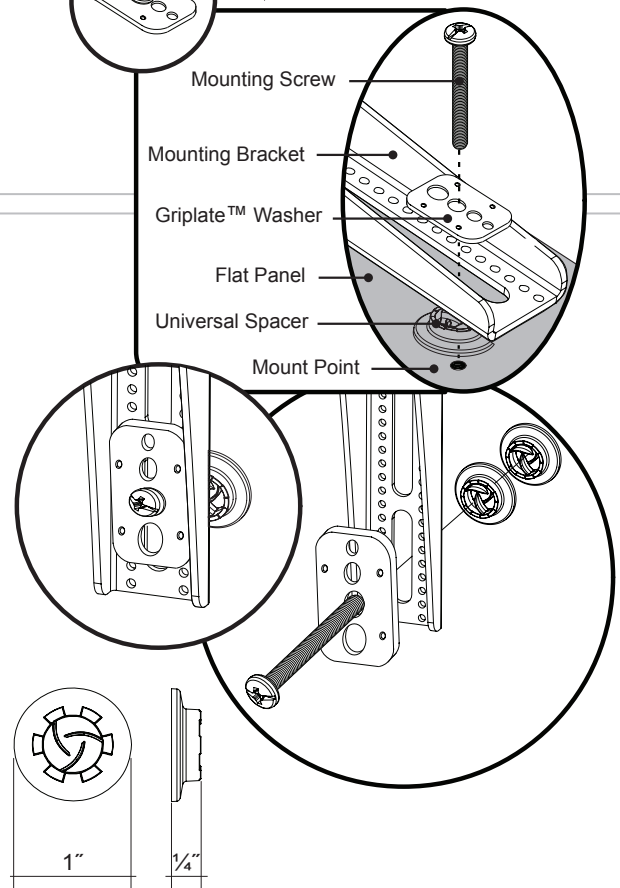
If **No**, skip to the "**Mounting Bracket Installation**" section.



14 Universal Spacer Installation (Optional)

Premier Mounts' Universal Spacers allow you to attach the mounting bracket to flat-panels which have recessed or uneven mount points. Each Universal Spacer adds 1/4" to the distance between the mounting bracket and your flat panel.

-  The Universal Spacers must be stacked and oriented as shown.
-  The Universal Spacers must only be installed between the mounting bracket and your flat-panel.
-  If your flat panel has uneven mounting points, or recessed mounting points, please use the provided universal spacers.
-  Si votre écran plat comporte des points de montage inégaux, ou encastrés, veuillez utiliser les entretoises universelles fournies.



AM300 / AM300-B

Installation Guide

Installationsanleitung, Guía de Instalación, Guida de Installazione, Guide d'Installation, Installatie gids

15



Does your flat panel have a mount pattern for the mount points greater than 506mm high x 876mm wide?

If **No**, proceed to the “**Universal Bracket Installation**” section.

If **Yes**, proceed to the “**Adapter Plate Installation (Optional)**” section.



Votre écran plat est-il muni d'un modèle de montage pour les points de fixation supérieurs à 506 mm de haut x 876 mm de large ?

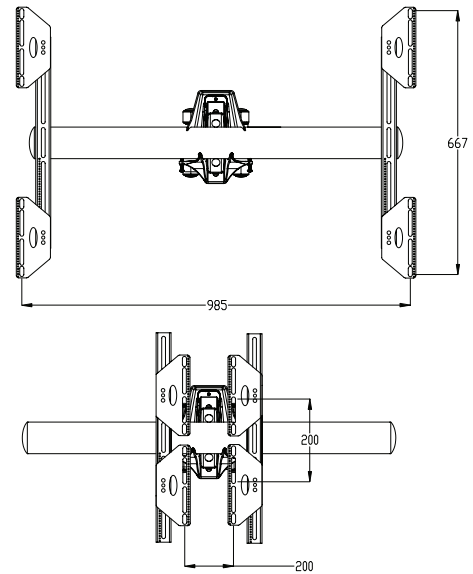
Si **Non**, aller à la section « **Installation du support tous usages** ».

Si **Oui**, aller à la section « **Installation de la plaque d'adaptateur (Facultatif)** ».

Your AM300/AM300-B Adapter Plates allow the AM300/AM300-B mount to accommodate very large flat panel mount patterns. Refer to your flat panel User's Guide for information regarding mount point distances and patterns.

AM300/AM300-B without Adapters: Width Height
Minimum: 240mm x 120mm
Maximum: 506mm x 876mm

AM300/AM300-B with Adapters: Width Height
Minimum: 200mm x 200mm
Maximum: 985mm x 667mm



16

Universal Bracket Installation

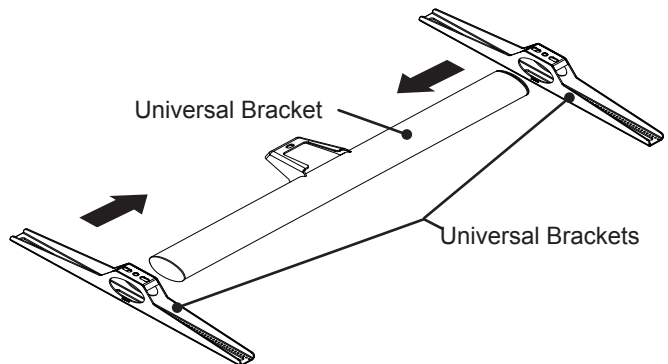
- 1) Place the Universal Bracket Bar and the Universal Brackets on a flat surface.
- 2) Slide the Universal Brackets onto the Universal Bracket Bar with the set screws facing up.



Do not tighten the set screws that are located on the back of each Universal Bracket.

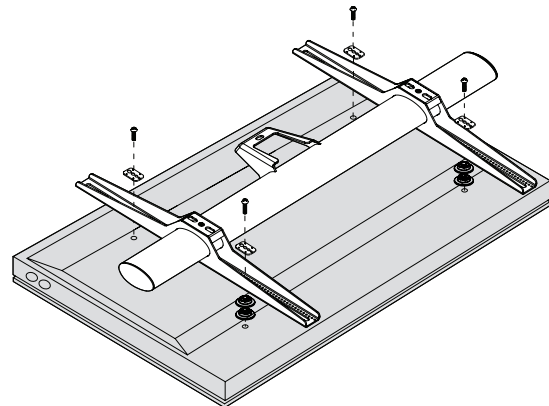


Éviter de serrer les vis de réglage à l'arrière de chaque support tous usages.



17

- 1) Place the flat panel on a soft, flat surface, face-down.
- 2) Place universal spacers over pointing points, as determined in the “**Universal Spacer Installation**” section.
- 3) Place the Universal Bracket assembly on the back of the display, with the Universal Brackets resting directly over the flat panel mount points.
- 4) Place a Griplate™ Over each mount point and secure them using the mounting hardware determined in the “**Selecting the Mounting Hardware**” section.



AM300 / AM300-B Installation Guide

Installationsanleitung, Guía de Instalación, Guida de Installazione, Guide d'Installation, Installatie gids

18

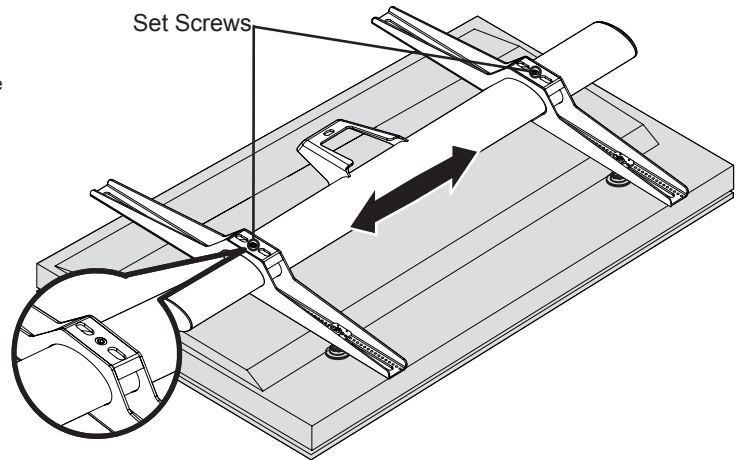
- 1) Center the Universal Bracket Bar.
- 2) Use the 5/32" Allen wrench to tighten the set screws that are located on the back of each Universal Bracket.



Do not overtighten the set screws.



Éviter de trop serrer les vis de réglage.



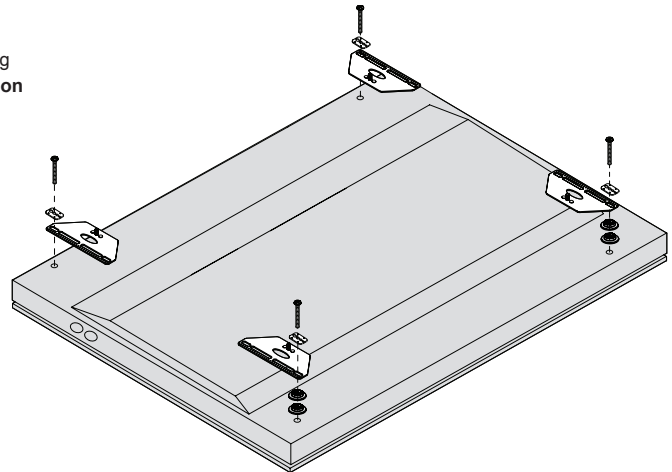
19

Adapter Plate Installation

Attach the Adapter Plates to the flat panel using Griplates™ and the mounting hardware determined in the “**Selecting the Mounting Hardware**” and “**Nylon Spacer Installation**” sections.

Do not tighten the mounting hardware at this time.

If M10 x 30mm mounting screws are needed for your installation, Griplate™ washers cannot be used. Please use the four (4) 5/16" flat washers (supplied) with the M10 x 30mm screws to attach the adapter plates to the flat panel.



20

Slide the Universal Brackets onto the Universal Bracket Bar with the set screws facing up.



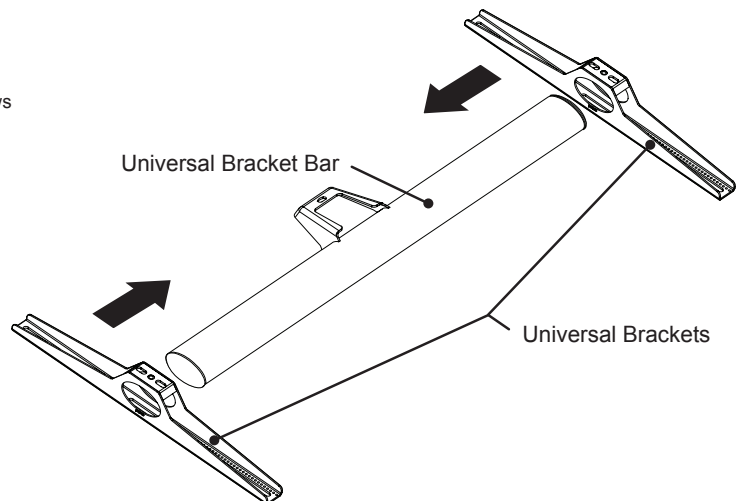
Caution!

Do not tighten the set screws that are located on the back of each Universal Bracket.



Attention !

Évitez de ne pas serrer les vis de réglage qui se trouvent au dos de chaque support tous usages.



PREMIER
MOUNTS

AM300 / AM300-B

Installation Guide

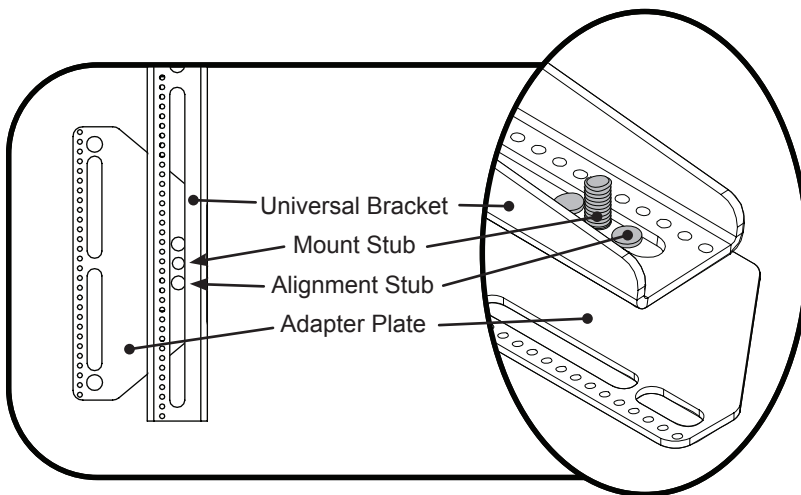
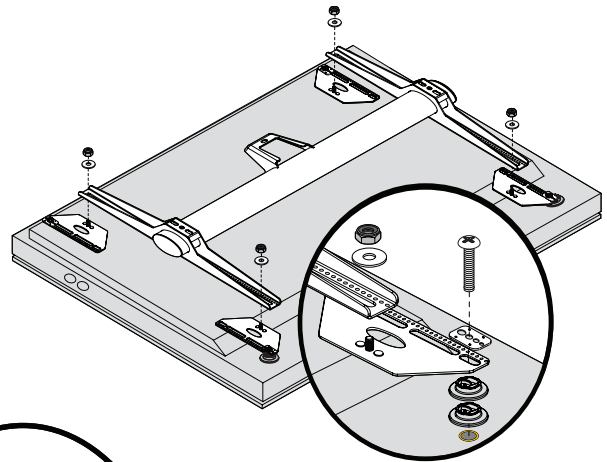
Installationsanleitung, Guía de Instalacion, Guida de Installazione, Guide d'Installation, Installatie gids

21

- 1) Place the Universal Bracket assembly on the back of the display, with the threaded mount studs on the Adapter Plates passing through the mount slots on the Universal Brackets.
- 2) Place one (1) 5/16" washer and one (1) M8 Nylon nut on each threaded mount stud.
- 3) Use a socket wrench and 1/2" socket to tighten all M8 Nylon Nuts.
- 4) Use a screwdriver and tighten the mounting hardware determined in the "Selecting the Mounting Hardware" section.

Note

Make certain that the two Alignment Stubs on each Adapter Plate are properly seated in the Universal Bracket slots. The Alignment Stubs help keep the Universal Bracket assembly aligned and level during installation.



22

- 1) Center the Universal Bracket Bar.
- 2) Use the 5/32" Allen Wrench to tighten the set screws that are located on the back of each Universal Bracket.



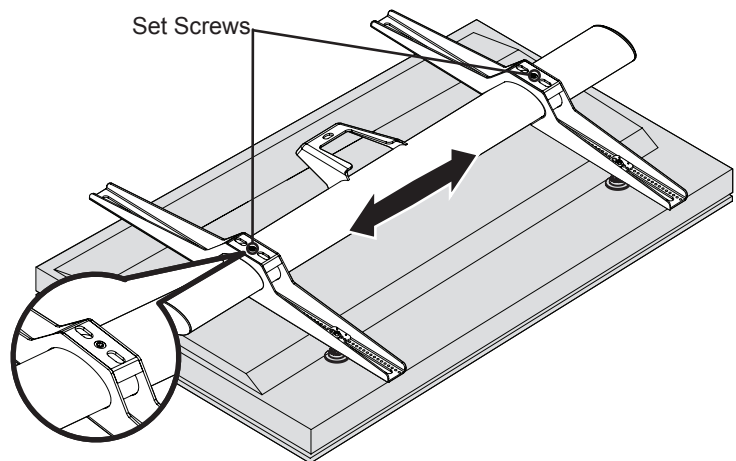
Caution!

Do not overtighten the set screws.



Attention !

Évitez de ne pas trop serrer les vis de réglage.



PREMIER
MOUNTS

AM300 / AM300-B Installation Guide

Installationsanleitung, Guía de Instalación, Guida de Installazione, Guide d'Installation, Installatie gids

23

Attaching the Flat Panel to the Swingout Arm



Caution !
The following procedure requires two people.



Attention !
La procédure suivante demande deux personnes.



Warning !
Until you install the M6 x 12mm screw and lock washer, your flat panel can be easily dislodged, causing severe personal injury and/or property damage. Use extreme care if you push or pull on the Swing out Arm.



ATTENTION !
À moins de poser complètement la vis M6 x 12 mm et la rondelle de blocage, votre écran plat peut toujours être facilement délogé, causant des blessures et/ou des dommages matériels. User d'une extrême prudence en poussant ou en tirant sur le bras de basculement.

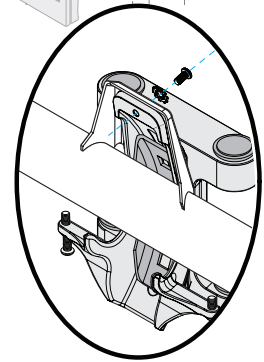
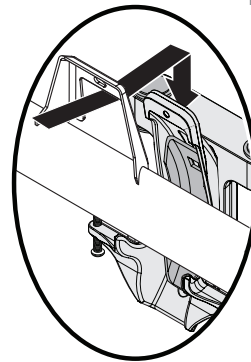
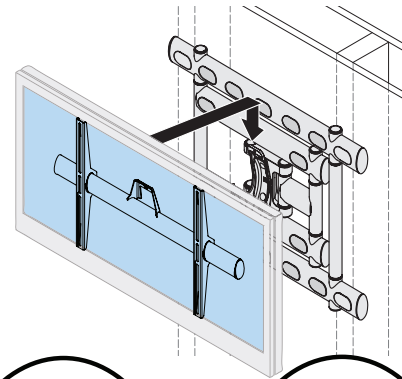
- 1) Lift the flat panel / Universal Bracket assembly to the Swingout Arm.
- 2) Slide the hood of the Universal Bracket Bar over the top of the Nose Piece.
- 3) Slowly lower the flat panel / mounting bracket assembly on to the Nose Piece.
- 4) Insert and tighten M6 x 12mm screw and lock washer to secure the flat panel / mounting bracket assembly to the Swingout Arm.



Warning !
Do not release the flat panel / mounting bracket assembly until you are certain that hood of the Universal Bracket Bar is firmly seated on the Nose Piece.



ATTENTION !
Il est formellement interdit à quiconque de poser ou de modifier l'installation électrique, sauf si la personne est un électricien diplômé.



Flat Panel Removed for Clarity

24

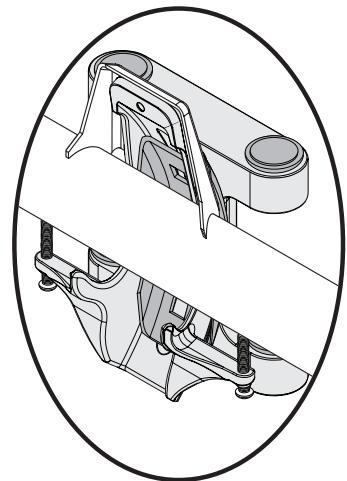
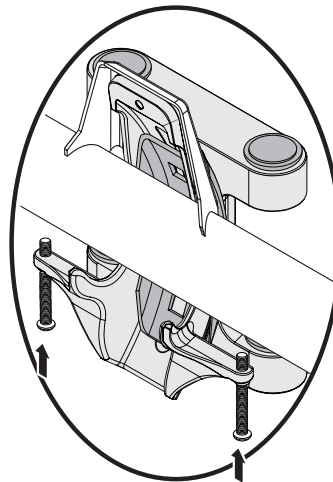
Insert and tighten two (2) M6 x 30mm locking screws into the bottom of the Nose Piece.



Caution!
Do not overtighten the M6 x 30mm locking screws.



ATTENTION !
Évitez de ne pas trop serrer les vis de blocage M6 x 30 mm.



PREMIER
MOUNTS

AM300 / AM300-B

Installation Guide

Installationsanleitung, Guía de Instalación, Guida de Installazione, Guide d'Installation, Installatie gids

25

Tilting Positioning

Before you can make tilt adjustments, you must loosen both tension bolts nut one-half turn.

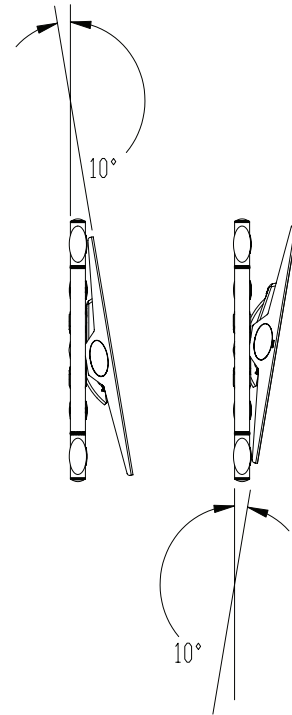
Adjusting the Tilt Angle

- 1) Place one hand at the center top edge of the flat panel.
- 2) Place the other hand on the center bottom edge of the flat panel.
- 3) Using the upper hand, gently pull the top of the flat panel towards you while the lower hand gently pushes the bottom of the flat panel away from you.

Adjusting the Flat Panel to the Original Position

- 1) Place one hand at the center top edge of the flat panel.
- 2) Place the other hand on the center bottom edge of the flat panel.
- 3) Using the upper hand, gently push the top of the flat panel towards the wall while the lower hand gently pulls the bottom of the flat panel away from the wall.

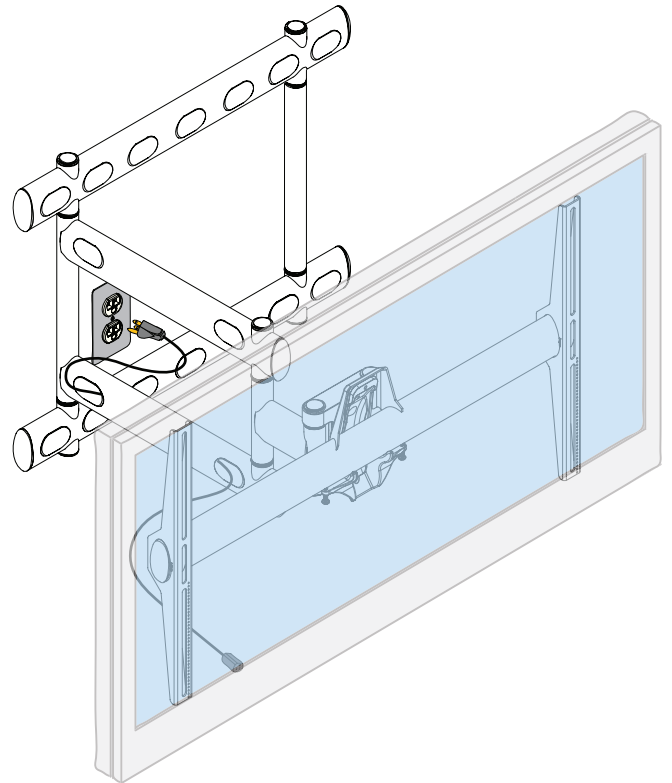
After making any tilt adjustments, you must tighten then tension bolt nuts one-half turn.



26

Cable Management

You can easily route power and data cables through any of the access points on the Swingout Arm. This not only helps to prevent cables from being pinched, but helps hide unsightly cable clutter.



AM300 / AM300-B Installation Guide

Installationsanleitung, Guía de Instalación, Guida de Installazione, Guide d'Installation, Installatie gids

PREMIER MOUNTS LIMITED LIFETIME WARRANTY

What and Who is Covered by this Limited Lifetime Warranty

Premier Mounts warrants all mounting products to be free from defects in material and workmanship for the lifetime of the original installation of the product.

What Premier Mounts Will Do

At the sole option of Premier Mounts, Premier Mounts will repair or replace any product or product part that is defective. If Premier Mounts chooses to replace a defective product or part, a replacement product or part will be shipped to you at no charge, but you must pay any related labor costs.

What is Not Covered: Limitations

Premier Mounts disclaims any liability for damage to mounts, adapters, displays, projectors, other property, or personal injury resulting, in whole or in part, from improper installation, modification, use or misuse of its products.

NOTWITHSTANDING ANYTHING TO THE CONTRARY IN THIS WARRANTY, THIS WARRANTY IS LIMITED TO FIVE YEARS FROM THE DATE OF PURCHASE IN THE EVENT THAT THE WARRANTED PRODUCT IS COMMERCIALY RENTED OUT.

Electrical products and components, such as amplifiers, speakers, motors, switches remote controls and related electrical items, are backed by a 3-year warranty.

Premier Mounts disclaims all other warranties, express or implied, including warranties of merchantability and fitness for a particular purpose. Premier Mounts is not responsible for incidental or consequential damages, including but not limited to, inability to use its products or labor costs for removing and replacing defective products or parts. Some states do not allow the exclusion or limitation of incidental or consequential damages, so the above limitation or exclusion may not apply to you.

What Customers Must Do for Warranty Service

If you discover a problem that you think may be covered by the warranty, you must report it in writing to the address below within thirty (30) days. Proof of purchase (an original sales receipt) from the original consumer purchaser must accompany all warranty claims. Warranty claims must also include a description of the problem, the purchaser's name, address, and telephone number. General inquiries can be addressed to Premier Mounts Customer Service at 1-800-368-9700. Warranty claims will not be accepted over the phone or by fax.

Premier Mounts

Attn: Warranty Claim

1321 S. State College Blvd.

Fullerton, CA 92831 USA

How State Law Applies

This warranty gives you specific legal rights, and you may also have other rights which vary from state to state.

Premier Mounts intends to make this manual accurate and complete. However, Premier Mounts makes no claim that the information contained herein covers all details, conditions or variations, nor does it provide for every possible contingency in connection with the installation or use of this product. The information contained in this document is subject to change without notice or obligation of any kind. Premier Mounts makes no representation of warranty, expressed or implied, regarding the information contained herein. Premier Mounts assumes no responsibility for accuracy, completeness or sufficiency of the information contained in this document.

