

INSTALLATION MANUAL

For THERMADOR Professional PRO HARMONY®
Gas Ranges

MANUEL D'INSTALLATION

Pour les cuisinières de gaz
THERMADOR Professional PRO HARMONY^{mc}

MANUAL DE INSTALACIÓN

Para Estufas de Gas Thermador
Professional PRO HARMONY®

**Models/
Modèles/
Modelos:**
PRG30
PRL30
PRG36
PRL36
PRG48
PRL48

Thermador  TM
REAL INNOVATIONS FOR REAL COOKS TM

Table of Contents

Safety Instructions	1
Important Installation Information	2
Step 1: Ventilation Requirements	3
Step 2: Cabinet Preparation	4
Step 3: Unpacking, Moving and Placing the Range	9
Step 4: Installing Anti-Tip Device	11
Step 5: Gas Requirements and Hookup	13
Step 6: Electrical Requirements, Connection & Grounding	15
Step 7: Backguard Installation (optional)	16
Step 8: Door Removal and Reinstallation	21
Step 9: Placing and Leveling the Range	23
Step 10: Burner Test and Adjustment	26
Installer Checklist	27
To Clean and Protect Exterior Surfaces	28

This THERMADOR® appliance is made
by BSH Home Appliances Corporation
1901 Main Street, Suite 600
Irvine, CA 92614

Questions?

1-800-735-4328

www.thermador.com

We look forward to hearing from you!

Safety Instructions



Important Safety Instructions

READ AND SAVE THESE INSTRUCTIONS

APPROVED FOR ALL RESIDENTIAL APPLIANCES

FOR RESIDENTIAL USE ONLY

IMPORTANT: Save these Instructions for the Local Gas Inspector's use.

INSTALLER: Please leave these Installation Instructions with this unit for the owner.

OWNER: Please retain these instructions for future reference.



WARNING:



ELECTRICAL SHOCK HAZARD—
Disconnect power before installing or servicing. Before turning power ON, be sure that all controls are in the OFF position. Failure to do so can result in death or electrical shock.

IMPORTANT:

Local codes vary. Installer is responsible for ensuring that the installation, gas connections, and grounding comply with all applicable codes. Failure to follow appropriate local codes and regulations may void the warranty.

For Massachusetts Installations:

1. Installation must be performed by a qualified or licensed contractor, plumber or gas fitter qualified or licensed by the state, province or region where this appliance is being installed.
2. Shut-off valve must be a "T" handle gas cock.
3. Flexible gas connector must not be longer than 36" (914mm).

Note:

This Range is NOT designed for installation in manufactured (mobile) homes or Recreational Park Trailers.

DO NOT install this range outdoors.



WARNING:



A child or adult can tip the range over and be killed or seriously injured. Verify that the anti-tip bracket is securely installed. Ensure the anti-tip bracket is engaged when the range is moved.

Do not operate the range without the anti-tip bracket in place. Failure to follow the instructions in this manual can result in death or serious burns to children and adults.

Check for proper installation and use of anti-tip bracket. Carefully tip range forward pulling from the back to ensure that the anti-tip bracket engages the range leg and prevents tip-over. Range should not move more than 1 inch (2.5cm).



WARNING:

If the information in this manual is not followed exactly, a fire or explosion may result causing property damage, personal injury or death.

- Do not store or use gasoline or other flammable vapors and liquids in the vicinity of this or any other appliance.
- **WHAT TO DO IF YOU SMELL GAS**
 - Do not try to light any appliance.
 - Do not touch any electrical switch.
 - Do not use any phone in your building.
 - Immediately call your gas supplier from a neighbor's phone. Follow the gas supplier's instructions.
 - If you cannot reach your gas supplier, call the fire department.
- Installation and service must be performed by a qualified installer, service agency or the gas supplier.

Important Installation Information

GAS Type Verification

Verify the type of gas supplied to the location. Ensure that the appliance is connected to the type of gas for which it is certified. Ranges are certified for use with only natural gas or propane (LP) gas. Make certain the range matches the gas type available; these ranges are NOT convertible between gas types.

Gas Supply:

Natural Gas — 6 inch water column. (14.9 mb) min., 14 inch (34.9 mb) maximum

Propane Gas — 11 inch water column. (27.4 mb) min., 14 inch (34.9 mb) maximum



WARNING:

To avoid possible burn or fire hazard, a backguard designed specifically for this range must be installed whenever the range is used.

IMPORTANT:

When installing against a combustible surface, a High Shelf or Low Backguard is required. A THERMADOR® High Shelf or Low Backguard must be purchased separately. See Step 7 for backguard, kits and installation information.

When using the Flush Island Trim, THERMADOR recommends a minimum 12" (305 mm) rear clearance to a combustible surface (see *Figure 1, Cabinet Clearances*). Clearances from non-combustible materials are not part of the ANSI Z21.1 scope and are not certified by CSA. Clearances of less than 12" (305 mm) must be approved by the local codes and/or by the local authority having jurisdiction.

Refer to the "Chart C: Backguard Kit Model Numbers" on page 15, for the correct backguard models that are designed for this range. After selecting the correct backguard, the range must be installed properly, using the minimum clearances to combustible surfaces specified in the Cabinet Preparation instructions on page 4.

Electric Power Supply:

30" Model:

4 Burners — 120 VAC, 60 Hz., 1Ph., 10 Amp circuit.

36" Models:

6 Burners — 120 VAC, 60 Hz., 1Ph., 10 Amp circuit
4 Burners with Griddle — 120 VAC, 60 Hz., 1Ph., 20 Amp circuit.

48" Models:

6 Burners with Griddle — 120 VAC, 60 Hz., 1Ph., 20 Amp circuit.



CAUTION:

When connecting the unit to propane gas, make certain the propane gas tank is equipped with its own high-pressure regulator in addition to the pressure regulator supplied with the range. The maximum gas pressure to this appliance must not exceed 14.0" water column (34.9 mb) from the propane gas tank to the pressure regulator.



CAUTION:

This unit is designed as a cooking appliance. Based on safety considerations, never use it for warming or heating a room.


This appliance has been tested in accordance with ANSI Z21.1, Standard for Household Cooking Appliances (USA) and in accordance with CAN 1.1-M81 Domestic Gas Ranges (Canadian). It is strongly recommended that this appliance be installed in conjunction with a suitable overhead vent hood (see "Step 1: Ventilation Requirements"). Due to the high heat capability of this unit, particular attention should be paid to the hood and duct work installation to assure it meets local building codes.

This appliance complies with one or more of the following standards:

- UL 858, Standard for the Safety of Household Electric Ranges
- UL 923, Standard for the Safety of Microwave Cooking Appliances
- UL 507, Standard for the Safety of Electric Fans
- ANSI Z21.1, American National Standard for Household Cooking Gas Appliances
- CAN/CSA-C22.2 No. 113-M1984 Fans and Ventilators
- CAN/CSA-C22.2 No. 61-M89 Household Cooking Ranges

Check local building codes for the proper method of appliance installation. Local codes vary. Installation, electrical connections and grounding must comply with all applicable codes. In the absence of local codes the appliance should be installed in accordance with the National Fuel Gas Code ANSI Z223.1/ NFPA 54 current issue and National Electrical Code ANSI/NFPA 70 -current issue. In Canada, installation must be in accordance with the CAN 1-B149.1 and .2 – Installation Codes for Gas Burning Appliances and/or local codes.

It is the responsibility of the owner and the installer to determine if additional requirements and/or standards apply to specific installations.

 CAUTION:
To eliminate risk of burns or fire caused by reaching over heated surface units, cabinet storage located above the surface units should be avoided.

Tools Needed	
2 – 1/2" wrenches	1/8" (3.17mm) drill bit
3/16" (4.76mm) drill bit	12" Adjustable wrench
Hand or electric drill	Tape measure
Phillips & flathead screwdrivers	Marking instrument
Level	Furniture dolly
T-20 Torx screwdriver	Protective gloves
Items Not Included	
3/16" (4.76mm) Drywall / Concrete Anchors	Pipe Compound / Tape
Rope/Twine	3/4" (19mm) Flex Line

Step 1: Ventilation Requirements

It is strongly recommended that a suitable exhaust hood be installed above the range. Downdraft ventilation should not be used. The table on *page 4* indicates the ventilation hood options and blower capacity guidelines that are recommended for use with all THERMADOR® ranges.

IMPORTANT:

Ventilation hoods and blowers are designed for use with single wall ducting. However, some local building codes or inspectors may require double wall ducting. Consult local building codes and/or local agencies, before starting, to assure that hood and duct installation will meet local requirements.

Due to the high heat of the rangetop burners, do not install a microwave oven/ventilator combination above the range, as these type of units do not provide the proper ventilation and are not suitable for use with the range.

NOTICE:

Most range hoods contain combustible components which must be considered when planning the installation.

1. Select Hood and Blower Models:

- For wall installations, the hood width must, at a minimum, equal the width of the range. Where space permits, a hood larger in width than the range/rangetop may be desirable for improved ventilation performance.
- For island installations, the hood width should overhang the width of the range by a minimum of 3" (76mm) on each side.

2. Hood Placement:

- For best smoke elimination, the lower edge of the hood should be installed 30" (762mm) above the range cooking surface (*see Figure 1*).
- If the hood contains any combustible materials (i.e. a wood covering), it must be installed a minimum of 36" (914mm) above the cooking surface (*see Figure 1*).

3. Consider Make-Up Air:

- Due to the high volume of ventilation air, a source of outside replacement air is recommended. This is particularly important for tightly sealed and insulated homes. A qualified heating and ventilating contractor should be consulted.

Range Width	Range Top Configuration	Minimum Recommended Blower Capacity*	Ventilation Options
30"	4 burners	800 CFM	30" or 36" Pro Wall Hood 30" or 36" Custom Insert w/ optional blower 42" Island Hood w/ optional blower
36"	4 burners with griddle	800 CFM	36" or 42" Pro Wall Hood
	6 burners	1,100 CFM	36" Custom Insert w/ optional blower 42" or 48" Island Hood w/ optional blower
48"	6 burners with griddle	1,200 CFM	48" or 54" Pro Wall Hood 48" Custom Insert w/ optional blower 54" Island Hood w/ optional blower

IMPORTANT NOTES:

It is recommended that a THERMADOR PROFESSIONAL® wall or island hood or custom insert is used with THERMADOR PROFESSIONAL ranges. Refer to www.thermador.com for a complete selection of ventilation options, blowers, and accessories.

* For high output gas ranges (60,000 BTU or greater), the minimum of one (1) CFM of ventilation per 100 BTU is recommended. If the range has a griddle, add 150 CFM to the estimated blower capacity. Additional blower capacity may be required for longer duct runs.

For island applications, it is recommended to use a hood width that exceeds the width of the range by 6" (152mm), overlapping the range by a minimum of 3" (76mm) on each end.

CFM = "cubic feet per minute" (standard blower capacity rating).

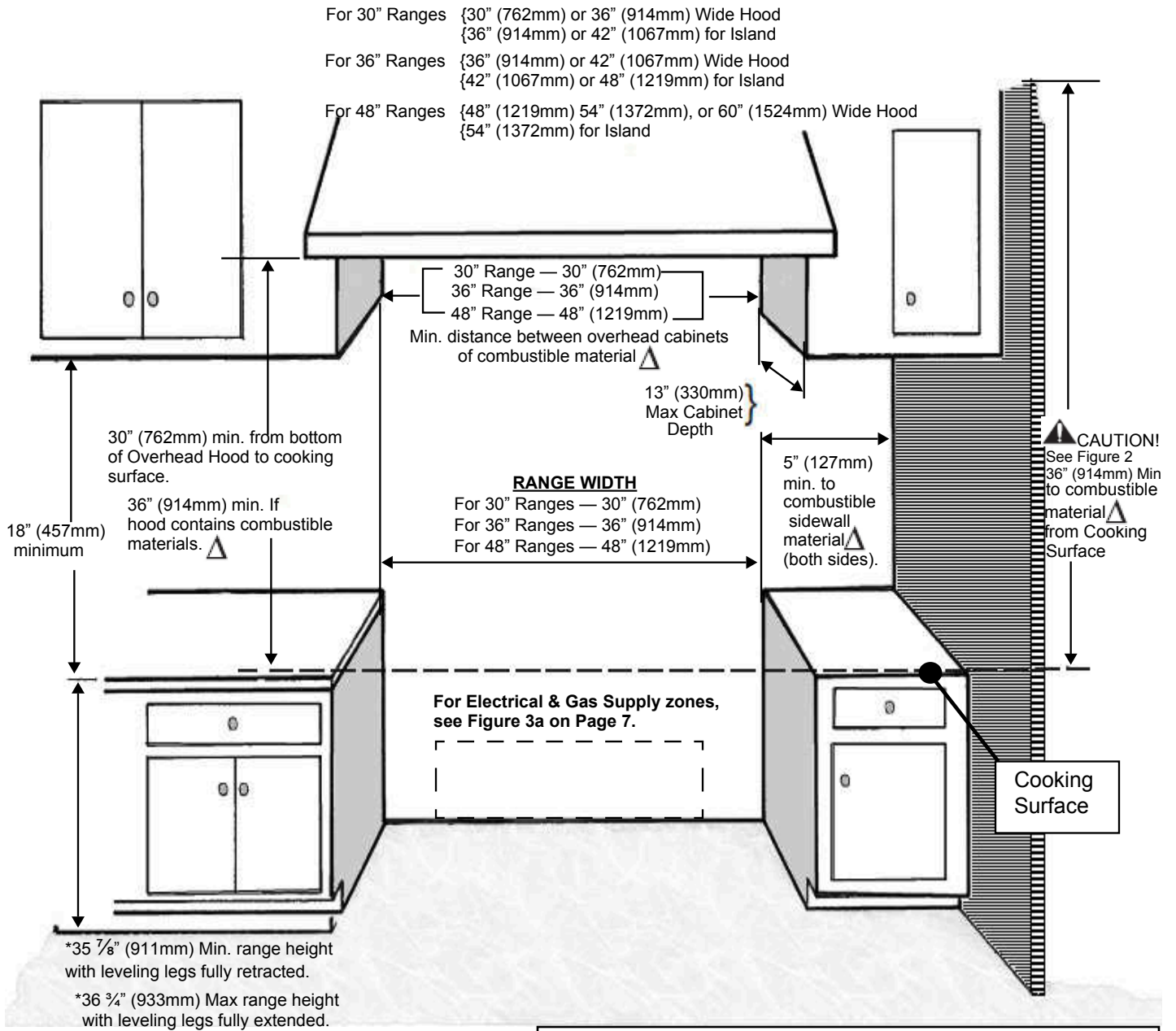
Step 2: Cabinet Preparation

- The range is a free standing unit. If the unit is to be placed adjacent to cabinets, the clearances shown in *Figure 1* are required. The same clearances apply to island installations, except for the overhead cabinets, which must have a space wide enough to accept the flared island hood.
- Any openings in the wall behind the range and in the floor under the range must be sealed.
- The gas and electrical supply should be within the zones shown in *Figure 3* on *page 7*.
- When installing against a combustible surface, a High Shelf or Low Backguard is required. A THERMADOR® High Shelf or Low Backguard must be purchased separately (see *chart on page 16*).
- When using the Flush Island Trim, THERMADOR recommends a minimum 12" (305 mm) rear clearance to a combustible surface (see *Figure 1, Cabinet Clearances*). Clearances from non-combustible materials are not part of the ANSI Z21.1 scope and are not certified by CSA. Clearances of less than 12" (305 mm) must be approved by the local codes and/or by the local authority having jurisdiction.
- When the range is installed against a combustible side wall a minimum clearance of 5" (127mm) is needed from the side of the range to the wall.
- Always keep appliance area clear from combustible materials, gasoline and other flammable vapors and liquids.
- The maximum depth of overhead cabinets installed on either side of the hood is 13" (330mm).
- Do not obstruct the flow of combustion and ventilation air to the unit.

There is a 36" (914mm) minimum clearance required between the top of the cooking surface and the bottom of an unprotected cabinet. A 30" (762mm) clearance can be used when the bottom of the wood or metal cabinet is protected by not less than 1/4" (6mm) of a flame retardant material covered with not less than No. 28 MSG sheet steel, 0.015" (0.38 mm) thick stainless steel, 0.024" (0.61 mm) aluminum, or 0.02" (0.51 mm) thick copper.

Flame retardant materials bear the mark: UNDERWRITERS LABORATORIES INC. CLASSIFIED MINERAL AND FIBER BOARDS SURFACE BURNING CHARACTERISTICS, followed by the flame spread and smoke ratings. These designations are shown as "FHC (Flame Spread/Smoke Developed)." Materials with "O" flame spread ratings are flame retardant. Local codes may allow other flame spread ratings. It is the responsibility of the installer to ensure installation is in accordance with these ratings.

Installation Clearances

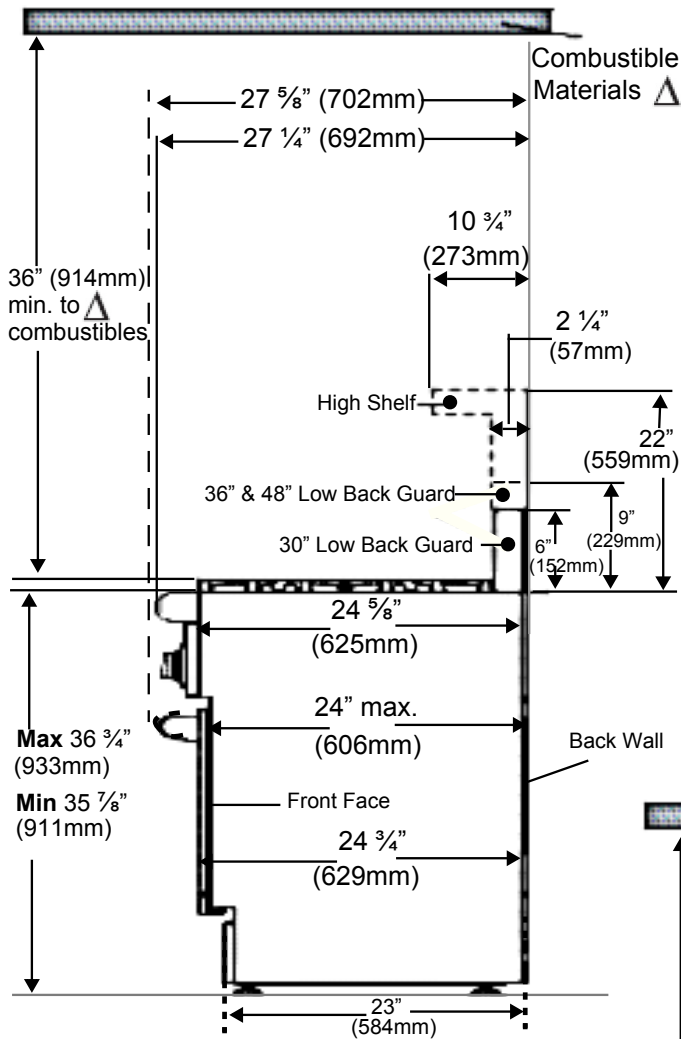


Δ as defined in the "National Fuel Gas Code" (ANSI Z223.1, Current Edition). Clearances from non-combustible materials are not part of the ANSI Z21.1 scope and are not certified by CSA. Clearances of less than 12" (305 mm) must be approved by the local codes and/or by the local authority having jurisdiction.

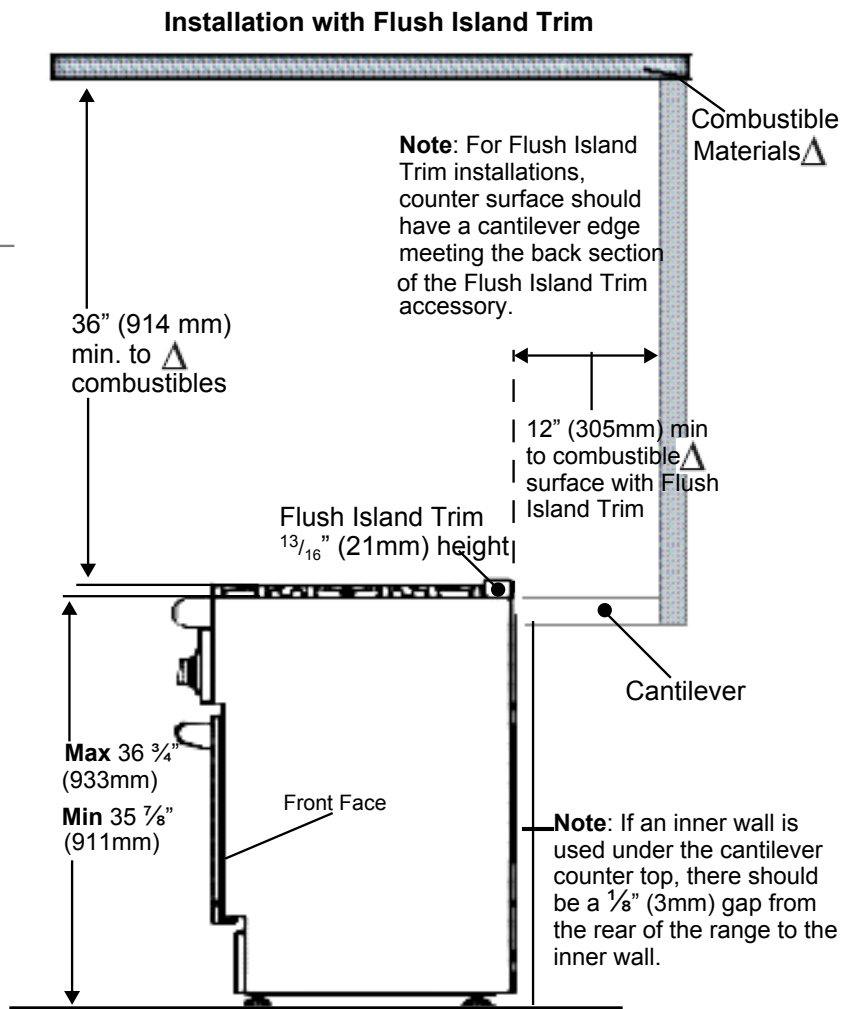
*The range height is adjustable. The level of the range top must be at the same level or above the counter top level.

Figure 1: Cabinet Clearances

△ as defined in the "National Fuel Gas Code" (ANSI Z223.1, Current Edition). Clearances from non-combustible materials are not part of the ANSI Z21.1 scope and are not certified by CSA. Clearances of less than 12" (305 mm) must be approved by the local codes and/or by the local authority having jurisdiction.



Note:
With the oven door fully open, the top of the door extends to 44 7/8" (1140mm) from the back wall, behind the range when installed. Installation must allow ample clearance for movement around the door when fully opened.

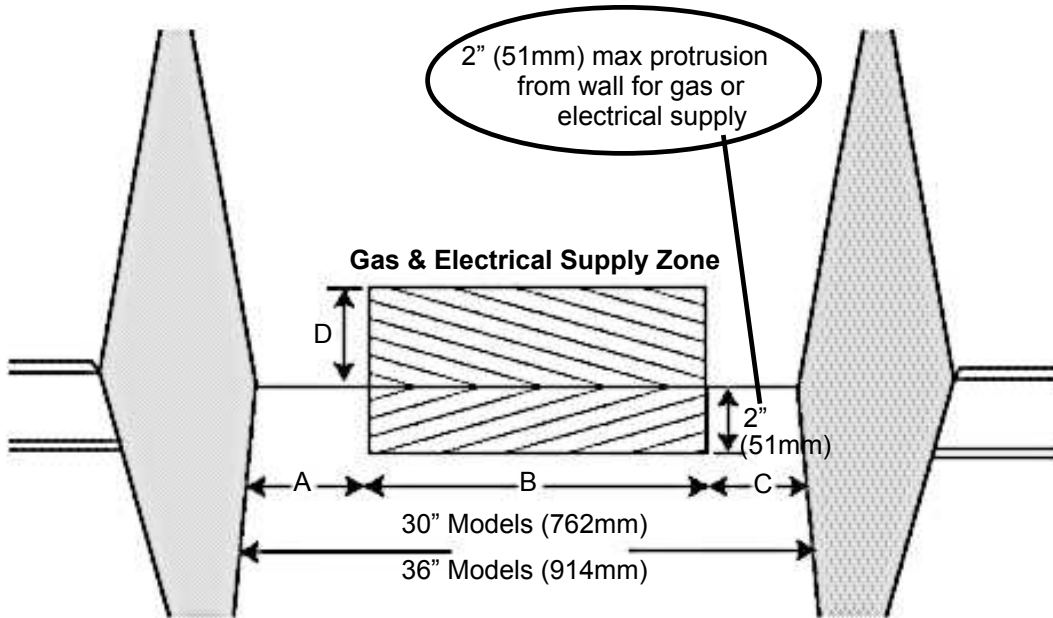


Note: If an inner wall is used under the cantilever counter top, there should be a 1/8" (3mm) gap from the rear of the range to the inner wall.

Figure 2: Side View

Gas and Electric Supply

Gas & Electrical Supply Locations for 30" and 36" Dual Fuel Ranges



Model	A	B	C	D
30" (762mm)	5 ³ / ₄ " (146mm)	18 ⁷ / ₁₆ " (468mm)	5 ¹³ / ₁₆ " (148mm)	2 ¹⁵ / ₁₆ " (75mm)
36" (913mm)	8 ¹ / ₁₆ " (205mm)	19 ¹³ / ₁₆ " (503mm)	8 ¹ / ₈ " (206mm)	3 ³ / ₁₆ " (81mm)

Gas & Electrical Supply Locations for 48" Dual Fuel Ranges

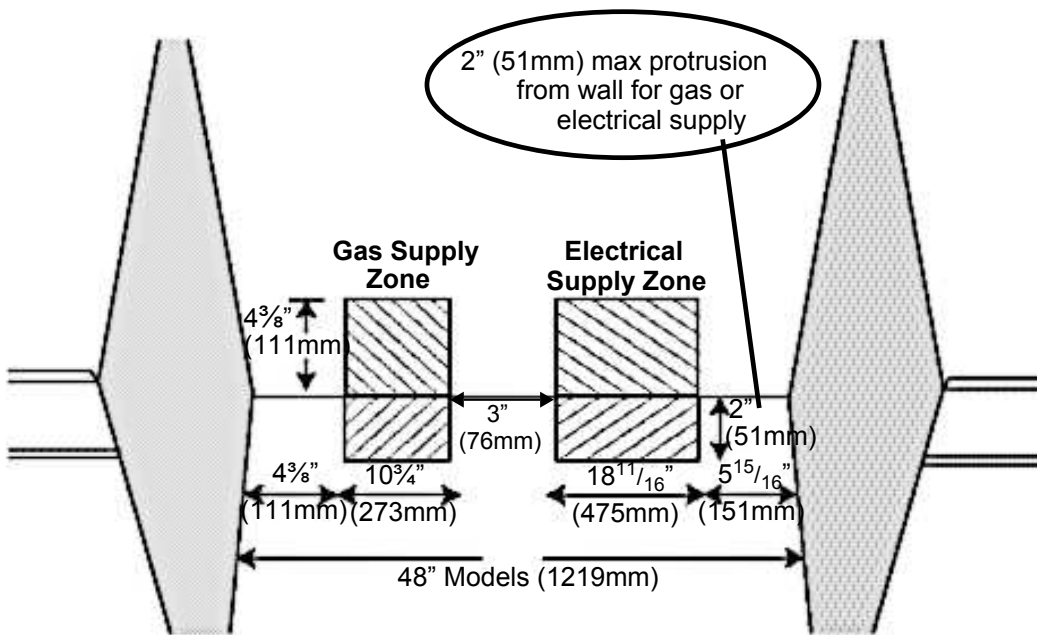


Figure 3a: Gas & Electrical Supply Locations for All Gas Ranges

Notes:

- If not already present, install gas shut-off valve in an easily accessible location.
- Make sure all users know where and how to shut off the gas supply to the range.
- Any opening in the wall behind the appliance and any opening in the floor under the appliance must be sealed.

The gas ranges may be connected to the power supply with a range supply cord kit or by hard-wiring to the power supply. It is the responsibility of the installer to provide the proper wiring components (cord or conduit and wires) and complete the gas connection as dictated by local codes and ordinances, and/or the National Electric Code. The units must be properly grounded. Refer to “Step 6: Electrical Requirements, Connection & Grounding” for details.

The range must be connected only to the type of gas for which it is certified. If the range is to be connected to propane gas, ensure that the propane gas supply tank is equipped with its own high pressure regulator in addition to the pressure regulator supplied with the range (see “Step 5: Gas Requirements and Hookup”).

Note:

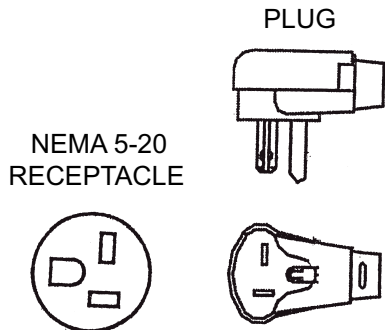
The range is designed for flush installation to the back wall. For a successful installation, it may be necessary to reposition the gas-supply line and electrical cord as the range is pushed back to its final position.

-- **SUGGESTION:**

This may be accomplished by carefully pulling on a rope or twine looped around the gas or electrical supply line as the range is pushed back into its final installed position.

IMPORTANT:

The cord supplied with the gas ranges, having an electric griddle, requires a NEMA 5-20 receptacle, shown here. Local codes may require a different wiring method.



Electrical Supply

Installation of the range must be planned so that the rough-in of the terminal block for the receptacle will allow maximum clearance to the rear of the unit. To minimize binding when the unit is connected to the receptacle or terminal block, orient the receptacle and slide back into position.

When the power supply cord is connected to the mating receptacle, the combined plug/receptacle connection should protrude no more than 2” (51mm) from the rear wall, see Figure 3b.

Power cord & receptacle should protrude no more than 2” (51mm) from the rear wall.

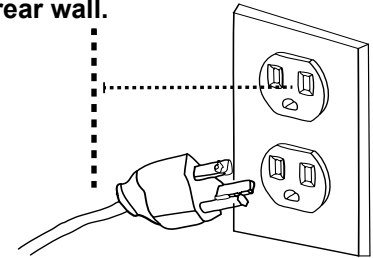




Figure 3b: Wall Connection





WARNING:


This appliance is equipped with a three-prong grounding plug for protection against shock hazard and should be plugged directly into a properly grounded receptacle. **DO NOT** cut or remove the grounding prong from this plug. **DO NOT ALTER THIS PLUG.**

Step 3: Unpacking, Moving and Placing the Range

 CAUTION:	
	<p>The unit is heavy and should be handled accordingly. Proper safety equipment such as gloves and adequate manpower of at least two people must be used in moving the range to avoid injury and to avoid damage to the unit or the floor. Rings, watches, and any other loose items that may damage the unit or otherwise might become entangled with the unit should be removed.</p> <p>Hidden surfaces may have sharp edges. Use caution when reaching behind or under appliance.</p>

 CAUTION:	
<p>DO NOT lift the range by the oven door's handle, as this may damage the door hinges and cause the door to fit incorrectly.</p>	

 CAUTION:	
	<p>Do not use a hand truck or appliance dolly on the back or front of the unit. Handle from the side only.</p>

 Remove all tape and packaging before using the appliance. Please, recycle the packaging material, as all THERMADOR® appliance packaging material is recyclable. Never allow children to play with packaging material.

1. Remove the outer carton and packing materials from the shipping pallet but leave the adhesive-backed foam layer over brushed-metal surfaces, to protect finish from scratches, until the range is installed in its final position.
2. The range has an approximate shipping weight as shown in *Chart A*. It is recommended that the grates, griddle plate, burner caps and oven racks be removed to facilitate handling. This will reduce the weight as shown in *Chart A*. **Do not remove the griddle assembly.**

Chart A	30" Range	36" Range	48" Range
Shipping Weight	300 lbs (136 kg)	340 lbs (154 kg)	540 lbs (245 kg)
Weight without packing materials	270 lbs (123 kg)	300 lbs (136 kg)	470 lbs (213 kg)
Without doors, burner caps, front kick panel and oven racks	150 lbs (68 kg)	210 lbs (95 kg)	330 lbs (150 kg)

3. The ranges are held to the pallet by four (4) bolts (see *Figure 5*). The front kick panel must be removed to access the bolts in the front of the pallet (see *Figure 4*). To remove the Kick Panel, remove the two screws below the lower corners of the oven cavity and lift the Kick Panel up and away from the two projections on the range's cast base (see also "*Kick Panel Adjustment*" on page 25).
- **The electric wire diagrams and schematics are attached behind the kick panel, and should not be removed except by a service technician, then replaced after use.**

Remove screws using a T-20 Torx screwdriver. Slightly push panel up then out once the screws have been removed.

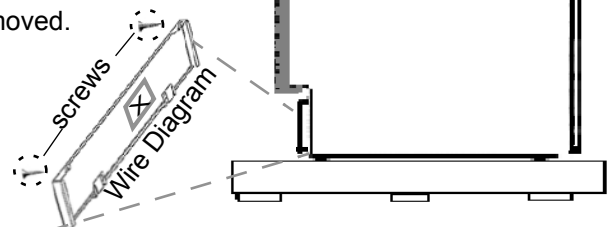


Figure 4: Remove Kick Panel

- After removing the pallet bolts with two ½" (13mm) wrenches (one to hold bolt at the bottom while the other is loosening the nut at the top), the range may be lifted and removed from the pallet.

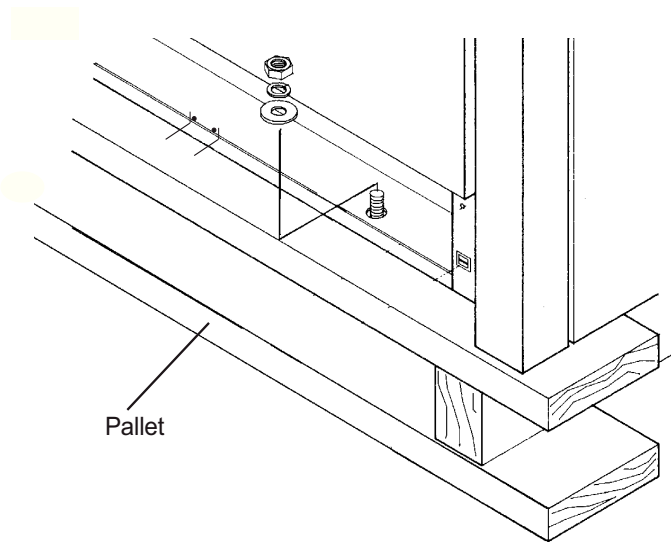


Figure 5: Removal of the Four Shipping Bolts

- Due to the weight, a furniture dolly with soft wheels or an air lift should be used to move this unit. The weight must be supported uniformly across the bottom (Figure 6).

Range must be uniformly supported by braces provided on bottom of range

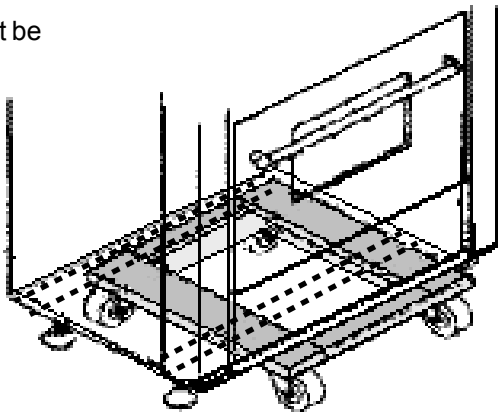


Figure 6: Dolly Positioning

- After transporting the range by dolly close to its final location, the range can be tipped back and supported on the rear legs while the dolly is carefully removed. **THE FLOOR UNDER THE LEGS SHOULD BE PROTECTED BEFORE PUSHING THE UNIT INTO POSITION.**

- The anti-tip device must be installed (“Step 4: *Installing Anti-Tip Device*”), gas and electrical connections should be made (“Step 5: *Gas Requirements and Hookup*” and “Step 6: *Electrical Requirements, Connection & Grounding*”), and the backguard installed (“Step 7: *Backguard Installation (optional)*”) before the range is placed in its final position.
 - For proper performance, the **range must be level**. See “Step 9: *Placing and Leveling the Range*” on page 23 for leveling instructions.
- Replace the kick panel. **It is important that the screws retaining the kick panel are secure to prevent accidental access to hot surfaces.**
 - Ensure that the burner caps are correctly seated on the burner bases of the rangetop.
 - Remove all tape and packaging before using the appliance. Please, recycle the packaging material, as all THERMADOR® appliance packaging material is recyclable. Never allow children to play with packaging material.

Step 4: Installing Anti-Tip Device

For all ranges, an anti-tip device must be installed as per these instructions.



WARNING:

RANGE TIPPING HAZARD:

- All ranges can tip and injury can result. To prevent accidental tipping of the range, attach it to the floor, wall or cabinet by installing the Anti-Tip Device supplied.
- A risk of tip-over may exist if the appliance is not installed in accordance with these instructions.

If the range is pulled away from the wall for cleaning, service or for any other reason, ensure that the Anti-Tip Device is properly re-engaged when the range is pushed back against the wall. In the event of abnormal usage (such as a person standing, sitting, or leaning on an open door), failure to take this precaution can result in tipping of the range. Personal injury might result from spilled hot liquids or from the range itself.



WARNING:

ELECTRICAL SHOCK HAZARD:

- Use extreme caution when drilling holes into the wall or floor as there may be concealed electrical wires.
- Identify the electrical circuits that could be affected by the installation of the Anti-Tip Device, then turn off power to these circuits.
- Failure to follow these instructions may result in electrical shock or other personal injury.

ATTENTION - PROPERTY DAMAGE

- Contact a qualified installer or contractor to determine the proper method for drilling holes through the wall or floor material (such as ceramic tile, hardwood, etc.)
- Do not slide the range across an unprotected floor.
- Failure to follow these instructions may result in damage to wall or floor coverings.

Tools Needed for Installation of Anti-Tip Device:

- Screwdriver, Phillips
- Drill, electric or hand
- Measuring tape or ruler
- 1/8" drill bit (wood or metal wall or floor)
- Hammer
- Pencil or other marker
- 3/16" carbide-tipped masonry drill bit (concrete or concrete block wall or floor)
- 3/16" anchors, drywall or concrete, 4 each (not required if mounting bracket is being attached to solid wood or metal).

Thermador Service Part No.	Qty	Description
415078	4	Screw, Phillips, #10 x 1½"
647936	1	Anti-Tip Bracket, Floor-Mounted

Important Installation Information:

- The anti-tip bracket may be attached to a solid wood cabinet having a minimum wall thickness of ¾" (19mm).
- The thickness of the wall or floor may require use of longer screws, available at your local hardware store.
- In all cases, at least two (2) of the bracket mounting screws must be fastened to solid wood or metal.
- Use appropriate anchors when fastening the mounting bracket to any material other than hard-wood or metal.

1. Prepare holes at fastener locations as identified below:

- For walls, wall studs, or floors composed of solid wood or metal, drill 1/8" (3mm) pilot holes.
- For walls or floors composed of drywall, sheet-rock or other soft materials, drill 3/16" (5mm) holes to a minimum depth of 1 3/4" (45mm), then tap plastic anchors into each of the holes using a hammer.
- For walls or floors composed of concrete or concrete block, drill 3/16" (5mm) holes to a minimum depth of 1 3/4" (45mm), then tap concrete anchors into each of the holes using a hammer.
- For walls or floors having ceramic tile covering, drill 3/16" (5mm) holes through the tile only, then drill into the material behind the tile as indicated immediately above.

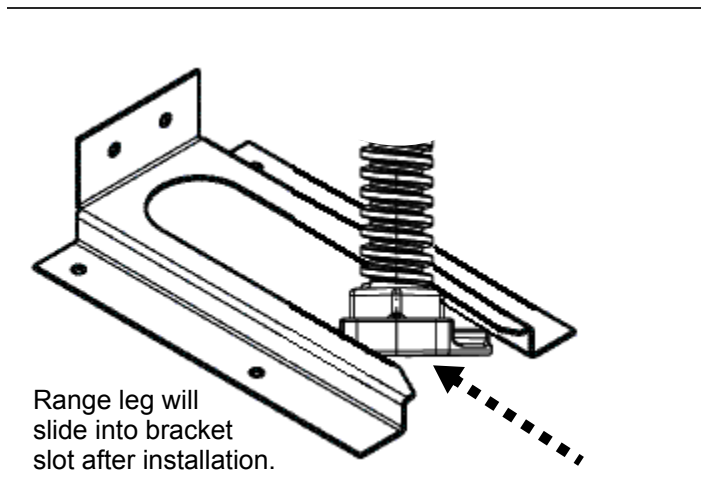


Figure 7: Anti-tip Bracket

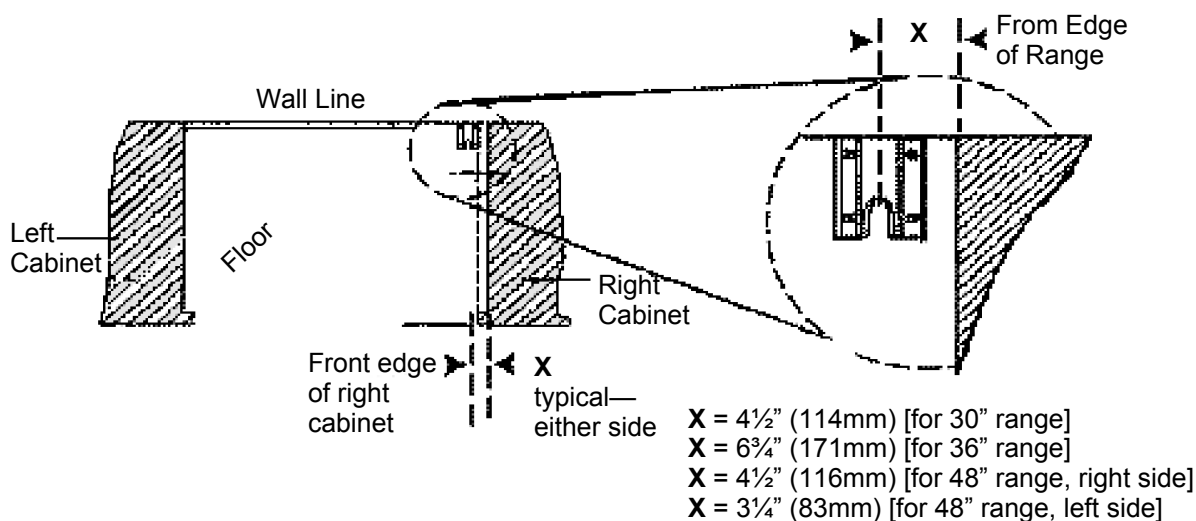


Figure 8: Placement of Anti-Tip Bracket (Top View)

Mounting Anti-Tip Bracket

The floor mounted bracket shall be installed as follows:

1. Place bracket on floor in position shown in *Figure 8*.
 - Bracket may be used in either corner of the installation area.
2. Secure to floor and wall stud using the (4) 1 1/2" (38mm) Phillips head screws provided.
3. Later, when the unit is installed, the adjustable leg will slide under the bracket, as shown in *Figure 7*.
4. If the range is moved to a new location, the Anti-Tip Device must be removed and reinstalled.

Step 5: Gas Requirements and Hookup

Verify the type of gas being used at the installation site. **As shipped from the factory, units are configured for use with only natural gas or propane (LP) gas. Make certain the range matches the type of gas available at this location. These ranges are NOT convertible between different types of gas.**

For installation of the appliance at high altitude, please consult your local gas company for their recommendation of the correct orifice sizes and any other necessary adjustments that will provide proper gas combustion at specified altitudes.

Natural Gas Requirements:	
Inlet Connection:	½" (13mm) NPT internal [Minimum ¾" (19mm) dia. flex line]
Supply Pressure:	6" min. to 14" max. water column. (14.9 to 34.9 mb)
Manifold Pressure:	5" water column (12.5 mb)
Propane Gas Requirements:	
Inlet Connection:	½" (13mm) NPT internal [Min. ¾" (19mm) dia. flex line]
Supply Pressure:	11" min. to 14" max. water column. (27.4 mb to 34.9 mb)
Manifold Pressure:	10" water column (24.9 mb)



WARNING:

Gas line must not come in contact with any components inside back cover of range.



CAUTION:

When connecting unit to propane gas, make certain the propane gas tank is equipped with its own high pressure regulator in addition to the pressure regulator supplied with the appliance. The pressure of the gas supplied to the appliance regulator must not exceed 14" water column (34.9 mb).

Hook Up

1. A manual gas shut-off valve must be installed external to the appliance, in a location accessible from the front, for the purpose of shutting off the gas supply. The supply line must not interfere with the back of the unit. Make sure the gas supply is turned off at the manual shut-off valve before connecting the appliance.
 - The range is supplied with its own pressure regulator that has been permanently mounted within the range body.
2. Use a ¾" (19mm) flex line to connect between the gas supply and the appliance gas inlet. The gas supply line connection is located at the lower right portion of all range models (see *Figure 9* and *Figure 10*). The appliance gas inlet connection is ½" (13mm) NPT.
 - Use caution to avoid crimping the ¾" (19mm) flex line when making bends. Suggested length of flex line is 48" (1219mm); however, please check local codes for your area's requirements before installation.
 - The gas supply connections shall be made by a competent technician and in accordance with local codes or ordinances. In the absence of local codes, the installation must conform to the National Fuel Gas Code ANSI Z223.1/NFPA54 – current issue.
3. Always use pipe sealing compound or Teflon[®] tape on the pipe threads, and be careful not to apply excessive pressure when tightening the fittings.
4. Leak testing of the appliance shall be in accordance with the following instructions.
 - Turn on gas and check supply line connections for leaks using a soap and water solution.
 - Bubbles forming indicate a gas leak. Repair all leaks immediately after finding them.



WARNING:

Do not use a flame of any kind to check for gas leaks.



CAUTION:

The appliance must be isolated from the gas supply piping system by closing its individual manual shut-off valve during any pressure testing of the gas supply piping system at test pressures equal to or less than 1/2 psig (3.5kPa.).

The appliance and its individual shut off valve must be disconnected from the gas supply piping system during any pressure testing of the system at test pressures in excess of 1/2 psig (3.5kPa.).

When checking the manifold gas pressure, the inlet pressure to the regulator should be at least 6.0" (14.9 mb) W.C. for natural gas or 11.0" (27.4 mb) for propane.

Do not attempt any adjustment of the pressure regulator.

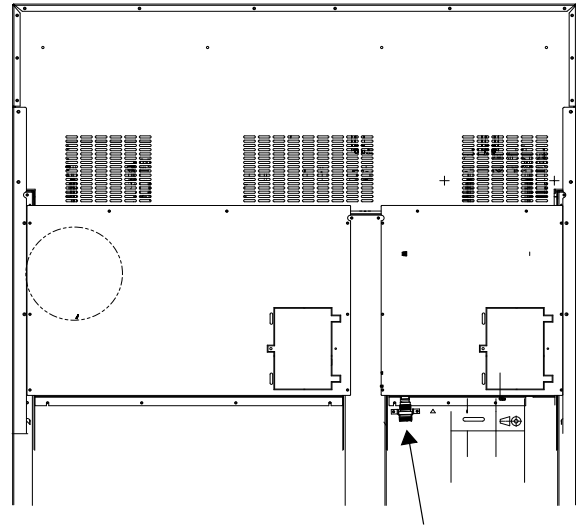


Figure 10: Location of Gas Supply Inlet Connection on 48" Ranges

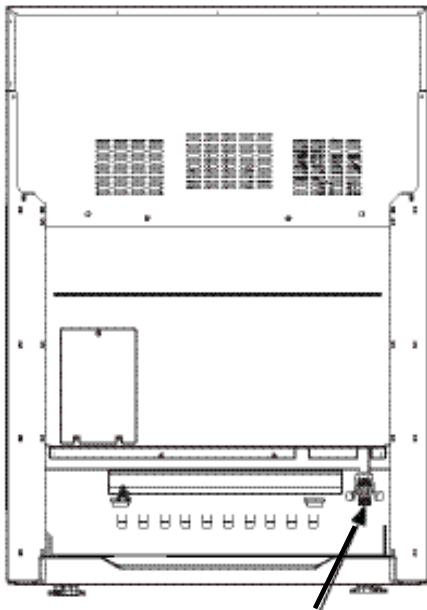


Figure 9: Location of Gas Supply Inlet Connection

Step 6: Electrical Requirements, Connection & Grounding

- Before installing, turn power OFF at the service panel. Lock service panel to prevent power from being turned ON accidentally.

Chart B: Electrical Supply Circuit Requirements

MODEL TYPE	VOLTAGE	CIRCUIT RATING	FREQUENCY	PHASE
30"	120 VAC	10 Amps	60 Hz.	Single
36"	120 VAC	10 Amps	60 Hz.	Single
36" with griddle	120 VAC	20 Amps	60 Hz.	Single
48" with griddle	120 VAC	20 Amps	60 Hz.	Single

- For these gas range models, a neutral supply wire must be provided from the power source (breaker) because critical range components, including the surface burner spark re-ignition modules, require 120 VAC to operate safely and properly. An improper 120 VAC power supply will cause malfunction, damage to this appliance, and possibly create a condition of shock hazard. If the correct power supply circuit is not provided, it is the responsibility and obligation of the installer and user to have proper power supply connected. This must be accomplished in accordance with all applicable local codes and ordinances by a qualified electrician. In the absence of local codes and ordinances, the power supply connection shall be in accordance with the National Electrical Code.
- Observe all governing codes and ordinances when grounding. In the absence of these codes or ordinances observe National Electrical Code ANSI/NFPA No. 70 current issue.
- Electric wiring diagrams and schematics have been placed in the kick panel area of the range for access by a qualified service technician (*refer to Figure 4 on page 9*).
- Before you plug in an electrical cord, be sure all controls are in the OFF position.
- For appliances equipped with a cord and plug, do not cut or remove the ground prong. It must be plugged into a matching grounding type receptacle to avoid electrical shock. If there is any doubt as to whether the wall receptacle is properly grounded, the customer should have it checked by a qualified electrician.
- **INSTALLER** — show the owner the location of the circuit breaker. Mark it for easy reference.

IMPORTANT:

Dedicated 20 AMP service is required for range with electric griddle.

Step 7: Backguard Installation (optional)



Chart C: Backguard Kit Model Numbers

Model	6" Std. Low Back	9" Low Back	22" High Shelf	3" Flush Island Trim
30"	Included with Range	N/A	PA30GSHS	PA30GITH
36"	N/A	PA36GLBH	PA36GSHS	Included with range
48"	N/A	PA48GLBH	PA48GSHS	Included with range

Installation methods will vary upon need. Before you begin read these instructions carefully. Observe all local codes and ordinances.

Backsplash Installation

(PA [30,36, 48] JBS)

Parts Included	Tools Needed
 10 – 1" (25.4mm) screws	Phillips screwdriver or drill
 1 – Backsplash	Tape measure
1 – Installation Guide	Pencil

- The backsplash must be installed prior to installing an overhead hood given that the hood shell covers the top mounting screws of the backsplash.
- To protect against scratches, leave protective film on backsplash until after installation is complete.
- If range is already installed, refer to the manufacturer's instructions to disconnect gas and power supplies. Move range forward to gain access to rear of unit.



WARNING:

To reduce the risk of fire or injury to persons, check to make sure all packaging has been removed from accessory devices before use.

1. Locate and lightly mark wall studs.
 - Wall studs are usually installed with a 16" or 24" (406mm or 1372mm) space on center.
2. The height of the hood will determine the height of the top edge of the backsplash. The backsplash should be mounted so that the bottom rear edge of the hood overlaps the backsplash 1/2" (38mm).
3. Per each wall stud, use (2) of the provided screws to secure both the top and bottom of the backsplash (see *Figure 11*).
 - Due to variable wall stud widths and varying backsplash widths, in some cases only one wall stud may be found at the mounting location.
4. Remove protective plastic.

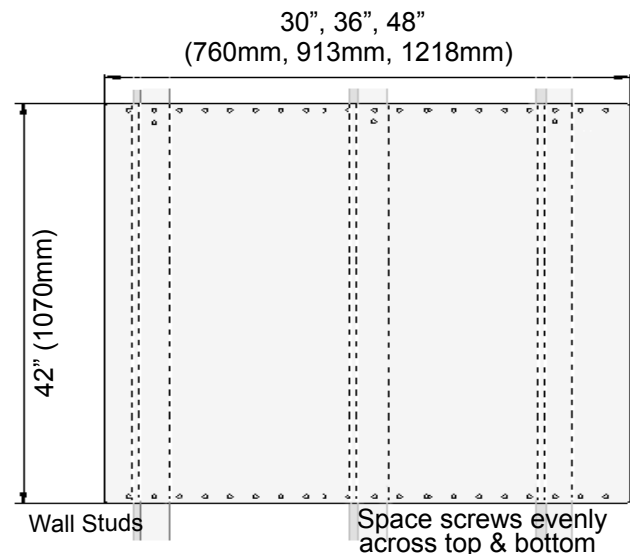


Figure 11: Backsplash Installation

Installing a Backsplash with a Keep Hot Shelf

A hood can be installed first if the Backsplash is to be installed with a Keep Hot Shelf given that the Keep Hot Shelf covers the top mounting screws of the Backsplash (*Figure 12*).

- To protect against scratches, leave protective film on the backsplash until after installation is complete.
- If range is already installed, refer to the manufacturer's instructions to disconnect gas and power supplies. Move range forward to gain access to rear of unit.

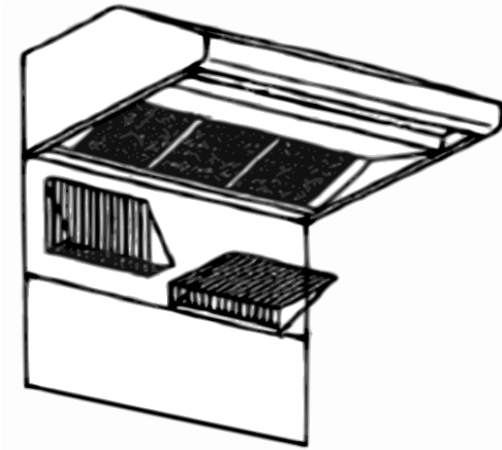


Figure 12: Backsplash with a Keep Hot Shelf

1. Locate wall studs.
 - Wall studs are usually installed with a 16" (406mm) or 24" (1372mm) space on center.
2. The height of the hood will determine the height of the top edge of the backsplash. The backsplash should be mounted so that the bottom rear edge of the Keep Hot Shelf overlaps the backsplash 1½" (38mm).
3. At the locations indicated in *Figure 13*, mount the lower shelf brackets included with the Keep Hot Shelf through the Backsplash and into the wall studs.
 - Due to variable wall stud widths and varying backsplash widths, in some cases, only one wall stud may be found at the mounting location.
4. Remove backsplash protective covering.
5. Start with the Keep Hot Shelf Installation.

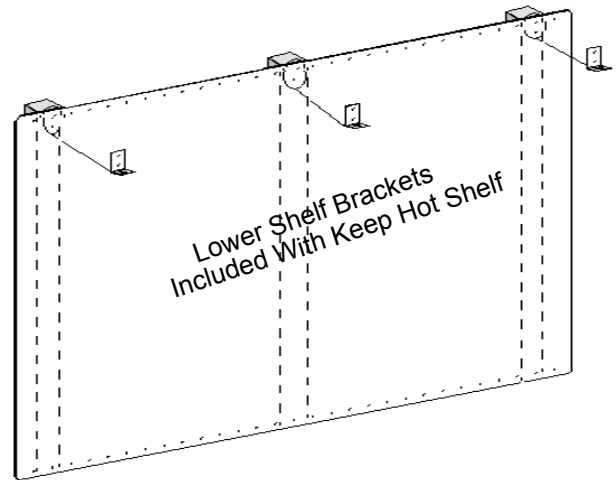


Figure 13: Backsplash with a Keep Hot Shelf

Keep Hot Shelf (KHS [30, 36, 42, 48] QS)

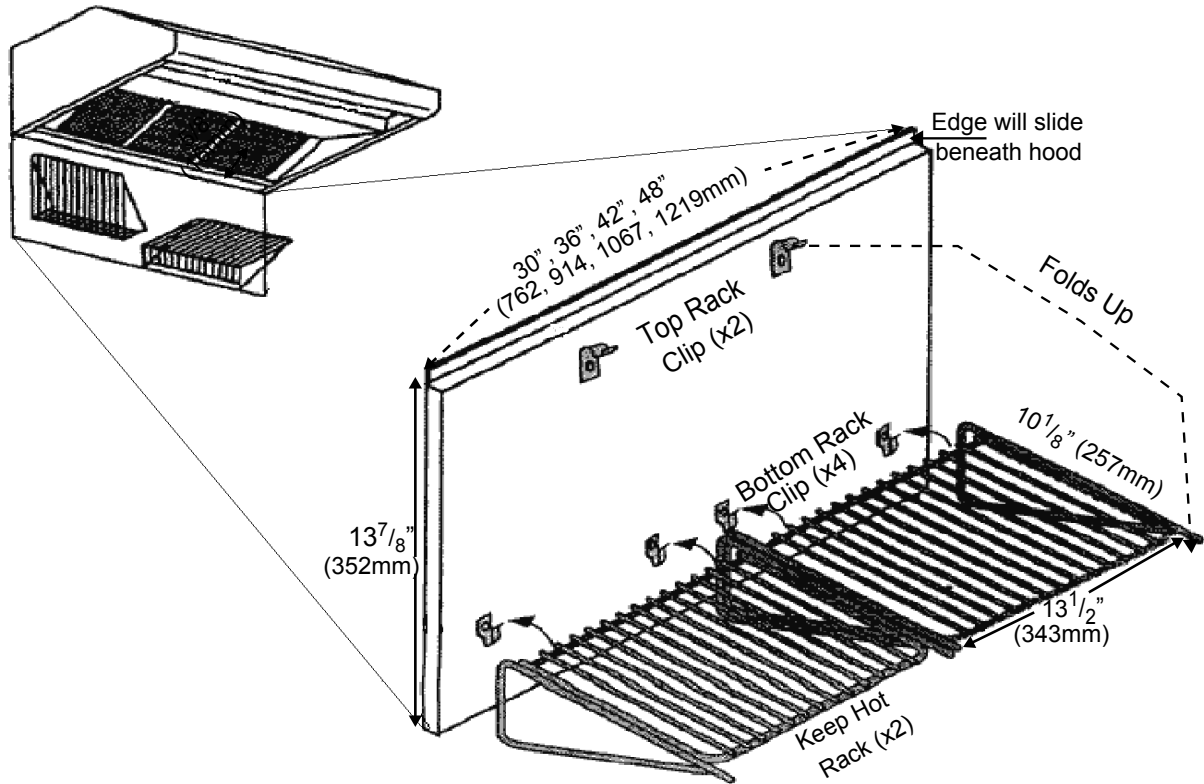


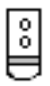


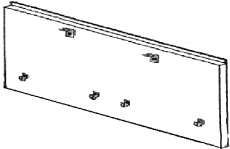


Figure 14: Keep Hot Shelf

Items Included	
	12 – 1" (25.4mm) screws 4 – 1/2" (12.7mm) screws
	4 – U-Nuts
	2 – Top shelf brackets
	4 – Lower shelf brackets
	2 – Keep hot racks
	1 – Keep hot shelf backsplash
	1 – Installation guide & template

Tools Needed
Tape measure
Phillips screwdriver or drill
Painter's Tape
Sharp knife or scissors
Pencil

1. Tape the templates included with the Keep Hot Shelf to the wall accordingly:
 - Tape the sheet titled Left Hand Template to bottom and left end of hood. Align the bottom line of hood with the top line of the template.
 - Tape the sheet titled Right Hand Template to bottom and right end of hood. Align the bottom line of hood with the top line of the template.
 - Tape the sheet titled Installation Instruction so that the arrow at the top of the template aligns with hood centerline. Align the bottom line of the hood with the top line of the template.
 - Left to right sides of the template must be equal to length of shelf.

- Mount the (2) top shelf brackets and the (3) lower shelf brackets at the locations outlined on the templates. Secure with (10) 1" (25.4mm) screws provided.
- Cut template out from around the brackets and remove from the wall. Do not discard template before the Keep Hot Shelf is completely installed.
- Insert (3) U-Nuts onto the (3) lower shelf brackets.
- Install the wall plate by setting the corner notches (back of wall plate) atop the (2) top shelf brackets. Slide the shelf upwards until the bottom engages with the (3) lower brackets on the 30" & 36" models and (4) brackets for the 48" models (*Figure 15*).

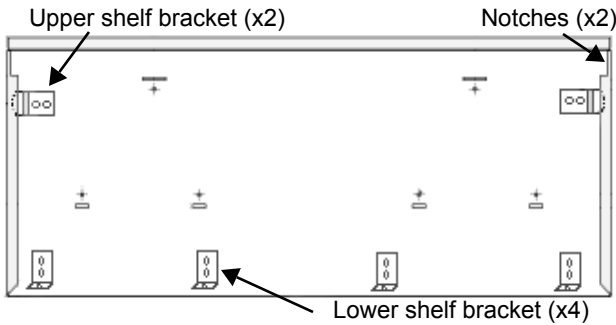


Figure 15: 48" Back of Wall Plate

- Check if the top is properly secured by pulling the top section of the shelf from the wall.
- Secure to bottom of shelf with the (4) 1/2" (12.7mm) screws provided.

For 48" Keep Hot Shelf

Follow steps 1-6 except use (4) lower brackets which must be spaced equally 15" (381mm) center-to-center.

Backguard Installation

NOTE:

If a backsplash is to be used in addition to a backguard, install the backsplash first and the backguard second before sliding range into place.



WARNING:

To reduce the risk of fire or injury to persons, check to make sure all packaging has been removed from accessory devices before use.



WARNING:

Fingers or hands could get pinched when installing the backguard. Severe injury could result. Use extreme caution and wear thick protective gloves to avoid potential laceration to finger or hand while sliding the backguard down onto the range.

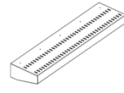


CAUTION:

The High Shelf can get very hot! DO NOT place the following items on top of the High Shelf:

- plastics or containers that can melt
- flammable items
- a total load over 30 pounds (13.6kg)

High Shelf Parts Included



High Shelf top panel



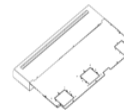
High Shelf front panel



T-20 Torx Stainless screws
T-20 Torx drill point screws

Installation Guide

Low Back Parts Included



Low Back panel



T-20 Torx stainless screws
T-20 Torx drill point screws

Installation Guide

Tools Needed

T-20 Torx head screwdriver or drill

Protective Work Gloves

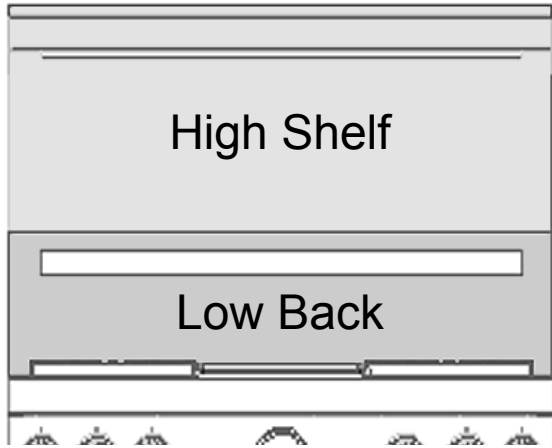


Figure 16: High Shelf & Low Back Front View

When installing against a combustible surface, a High Shelf or Low Backguard is required. A THERMADOR® High Shelf or Low Backguard must be purchased separately. See clearances on page 6 for more information.

When using the Flush Island Trim, THERMADOR recommends a minimum 12" (305 mm) rear clearance to a combustible surface (see Figure 1, Cabinet Clearances). Clearances from non-combustible materials are not part of the ANSI Z21.1 scope and are not certified by CSA. Clearances of less than 12" (305 mm) must be approved by the local codes and/or by the local authority having jurisdiction.

High Shelf Assembly

1. Remove protective plastic.
2. Slide the shelf onto the backguard channel.
3. Install the included stainless screws along the top side of shelf and into the back of the shelf.
4. Begin with Backguard Installation.

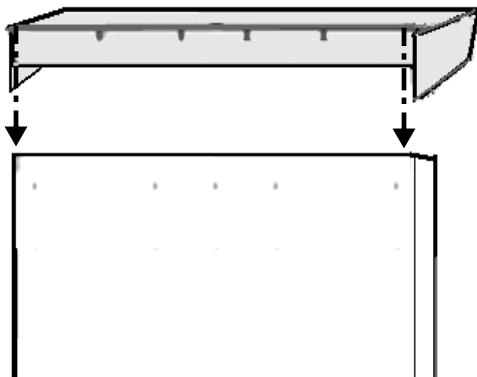


Figure 17: High Shelf Assembly Rear View

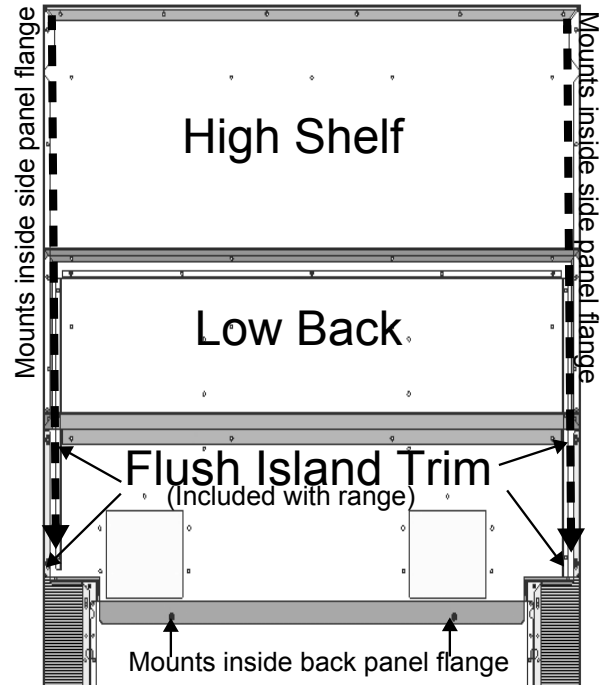


Figure 18: Backguard Installation

Backguard Installation

1. Remove protective plastic.
2. Depending on model, remove the (3) or (4) T-20 Torx stainless screws in the front face of the included Flush Island Trim, the (4) drill point screws securing the trim to the side panels, and the (2) or (4) drill point screws securing the piece to the back panel. Lift up to fully remove.
3. Align the back panel of the new accessory with the flanges on the range side panels right and left rear corners. The backguard is inserted inside the guide channels on the back of the range.
4. Make sure the backguard's front face is outside the flange on the front side of the range.
5. Re-install screws in the new backguard's front and back panels.

Re-install (4) drill point screws to secure the backguard's back panel to the side panels on the back of the range.

Step 8: Door Removal and Adjustment



CAUTION:

- USE CAUTION WHEN REMOVING THE DOOR. THE DOOR IS VERY HEAVY.
- Make sure oven is cool and power to the oven has been turned off before removing the door. Failure to do so could result in electrical shock or burns.
- The oven door is heavy and fragile. Use both hands to remove or replace the door.
- Failure to grasp the oven door firmly and properly could result in personal injury and product damage.
- With the door off, never release the levers and try to close the hinges. Without the weight of the door, the powerful springs will snap the hinges closed with great force.

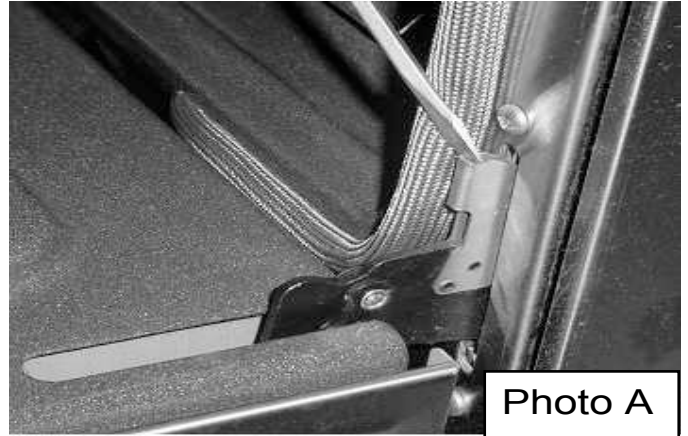


Photo A

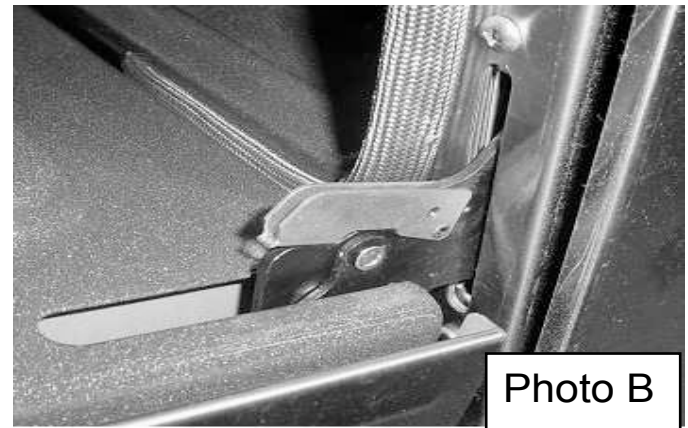


Photo B

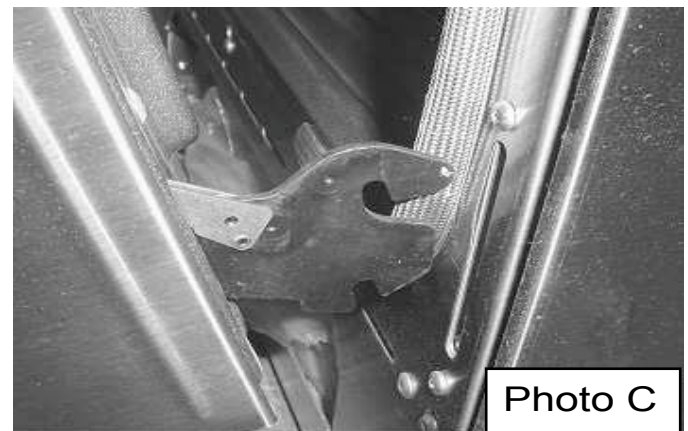


Photo C

To Remove the Oven Door:

1. Open the door fully and use a screwdriver to carefully pry the hinge clips away from the hinge slots (*Photo A*).
2. Flip the hinge clip toward you (*Photo B*).
3. Close the door until it stops against the hinge clips. The open hinge clips will hold the door open at a slight angle (*see Figure 19*).
4. Grasp the door firmly on the ends of the door handle, and lift the door up. (There will be some spring resistance to overcome.) When the door is lifted sufficient to clear the hinge hooks, the door can be pulled straight out (*Photo C*). Place the door in a safe and stable location.

To Reinstall the Oven Door:

1. Position the door at a sharp angle (see *Figure 19*) and insert the hinges centered evenly into the hinge slots. The hinges will securely hook into the slots when properly installed. Do not force, bend, or twist the door.
 - Tip: Rest the door on your foot while using your leg for stability.
2. Open the door fully and use a screwdriver to push the hinge clips all the way into the hinge slots (toward the oven) until they meet the hinge. Be careful not to scratch the range during this process.

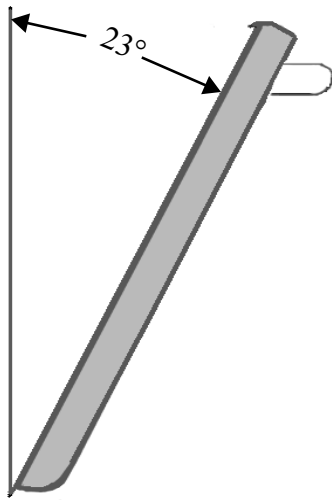


Figure 19: Approximate Door Angle for Removal

To Check Door Fit and Operation:

1. Open and close the door slowly to test the movement and the fit of the door to the oven cavity. Do not force the door to open or close. If the door is properly installed, it should move smoothly and rest straight on the front of the range when closed.
2. If the door does not operate correctly, verify that the hinges are properly seated into the hinge slots, and that the hinge clips are fully engaged into the slots.
3. For 48" models with large and small ovens, if door or handle appears slightly tilted, you may adjust the hinge receiver by rotating the large Torx-head screw located directly above the hinge receiver with a T-20 Torx driver. Rotate each screw respective to its side and direction the door needs to be adjusted.

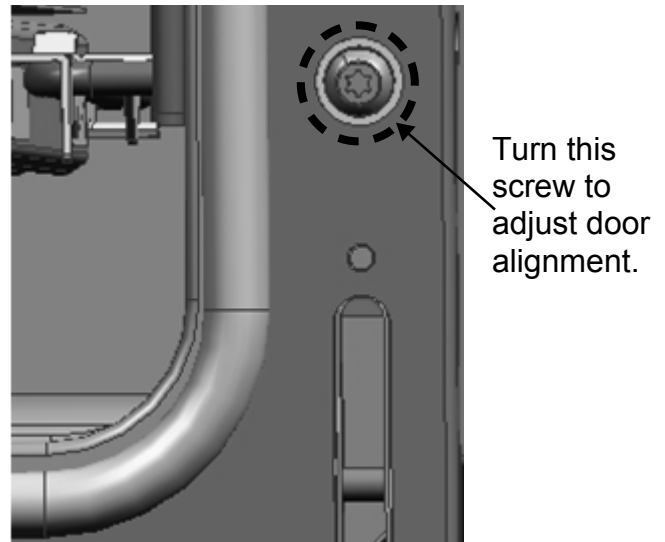


Figure 20: Hinge Receiver Adjustment Screw

4. The range must be level for proper alignment of the oven doors, see "*Step 9: Placing and Leveling the Range*" on page 23.

Data Rating Label Location

Data rating labels contain the model and serial numbers that can be found under front edge of the rangetop, with oven door open or removed.

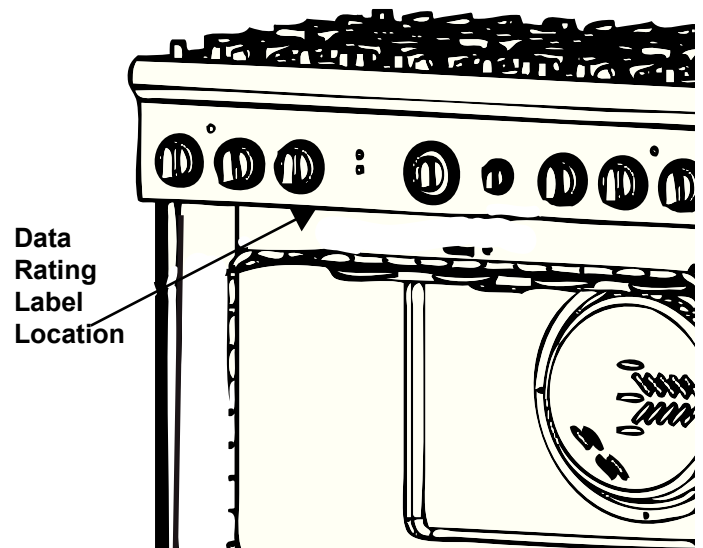


Figure 21: Data Rating Label Location

Step 9: Placing and Leveling the Range



CAUTION:

The top edges of the range's side panels must be on the same or higher level as the adjacent countertop. If the range is operated while at a lower height relative to the adjacent cabinet, the cabinet could be exposed to excessive temperatures, causing damage to the cabinet and countertop (see *Figure 23 on page 24*).

For proper performance, the range must be level. This is especially important for all products that have the griddle feature. Priority should be placed on ensuring that the oven cavities are also level for optimum cooking performance.

The 30" and 36" models have a total of (4) leveling legs, one beneath each corner, that are threaded into the cast aluminum base structure; 48" models have (6).

1. The range is leveled by rotating the legs using an 12" (305mm) adjustable wrench on the flat sides of each foot.
 - It is suggested to measure the counter top heights first with a tape measure and adding an additional 1/16" - 1/8" (2-3mm), then adjusting the legs accordingly prior to pushing the range back to its final location.

2. Progression of the height adjustments should be alternated proportionally between the four corner legs, until the top edges of the range's side panels are close to matching the counter top height.
 - Rotating the right front leveling leg clockwise will raise the right corner of the door. Rotating the right front leveling leg counterclockwise will lower the right side of the door. Rotating the left front leveling leg will result in the opposite effect.
 - Rotating the front center leveling leg (48" models only) clockwise will raise the left corner of the large door and right corner of the small door. Rotating the front center leveling leg counterclockwise will result in the opposite effect.
3. Final height adjustments of the two rear legs take place before moving the range into its installed position in the cabinet.
4. With the range in the installed position, the final height adjustments are made to the two front legs to ensure proper alignment to the counter top.

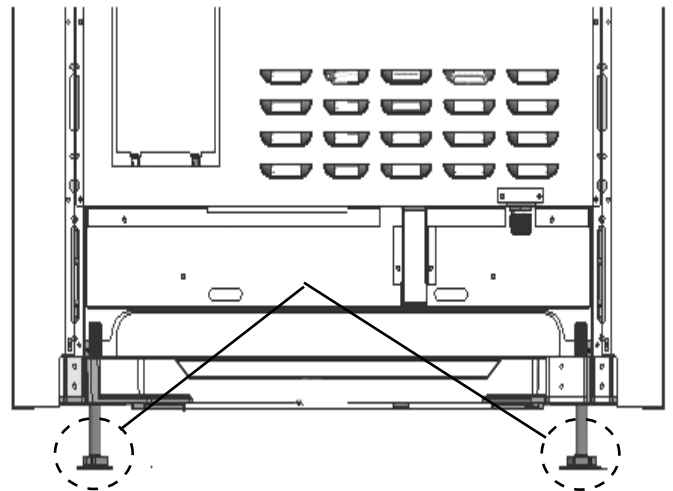
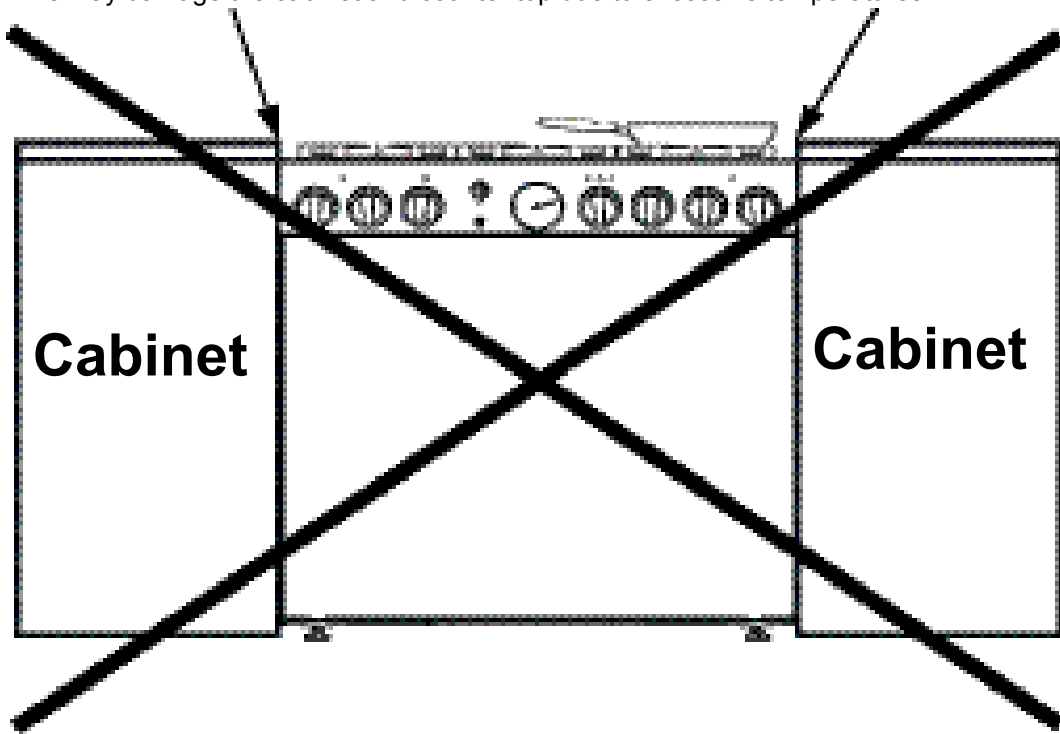


Figure 22: Leveling Legs

Note: It is assumed that the counter top adjacent to the range has been properly leveled.

CAUTION! DO NOT operate range if sides are lower than the adjacent cabinet. This may damage the cabinet and counter top due to excessive temperatures.



CORRECT! Leveling legs should be adjusted so that the range sides are at the same or higher level as the adjacent cabinet.

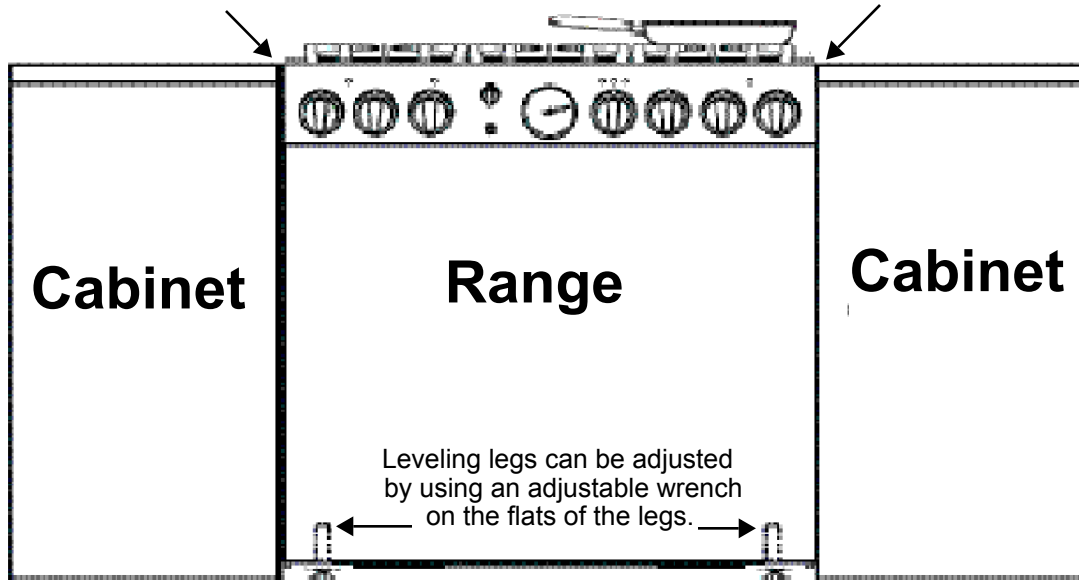


Figure 23: Adjusting the Height of the Range

Griddle Tilt Adjustment (not all models)

If the range is equipped with an electric griddle, check the griddle frame adjustment by pouring two tablespoons of water on the back of the griddle plate. The water should slowly roll into the grease tray. If not, adjust the two screws under the back of the frame. Start with one half turn counterclockwise (CCW) of the screws. Further adjustment should be made by one-quarter turn until water slowly flows into the grease tray.

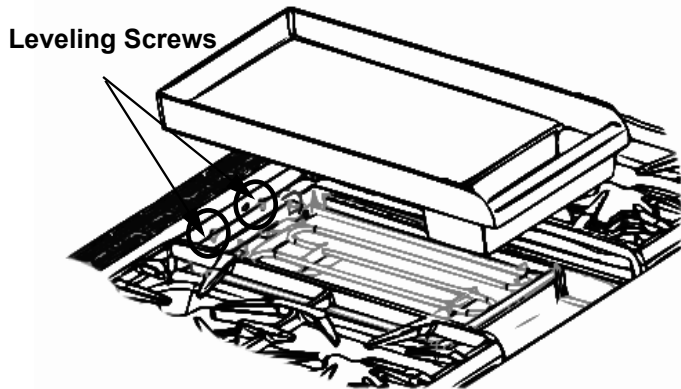


Figure 24: Griddle Leveling Screws



WARNING:

To avoid risk of injury, never operate the griddle without the griddle plate installed. Never use griddle in a manner that is not prescribed by the Use and Care Manual.

The griddle plate must always be in place when the griddle is turned on.

Adjusting the Kick Panel

To adjust the kick panel do the following:

1. Remove the kick panel screws using a T-20 Torx screwdriver.
2. Slightly push panel up then out to clear aluminum cast base tabs.
3. Relocate kick panel at one of the five screw hole positions, as noted in *Figure 25*. Reinstall Torx screw.
4. Repeat on the opposite side, assuring kick panel is level.
 - The range kick panel should maintain a minimum $\frac{1}{2}$ " (12.7mm) clearance above the floor.

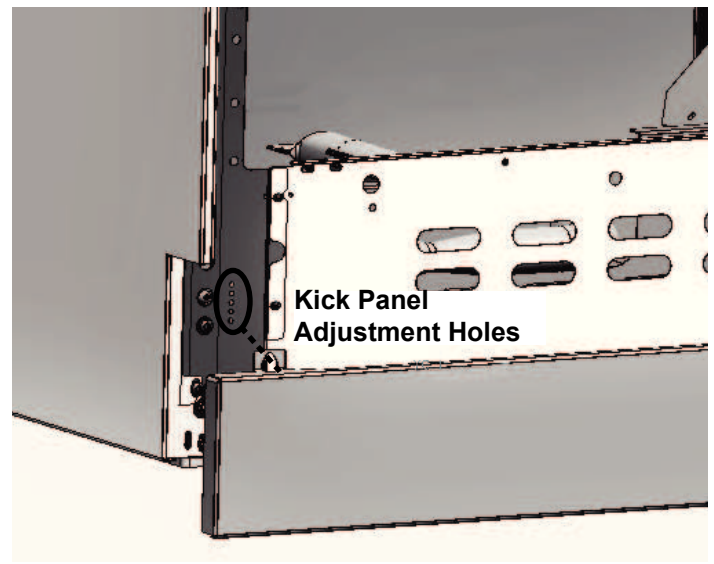


Figure 25: Kick Panel Adjustment

Step 10: Burner Test and Adjustment

Install any loose components, such as burner caps and grates, that may have been removed earlier. Be certain that burner caps seat properly into the burner bases. Before testing operation of the appliance, verify that the unit and the gas supply have been carefully checked for leaks and that the unit has been connected to the electrical power supply. Turn the manual gas shut-off valve to the open position.

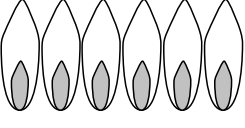
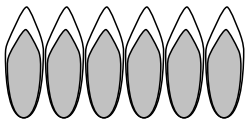
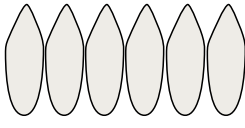
<p>Yellow Flames: Further Adjustment is required.</p>	
<p>Yellow Tips on Outer Cones: Normal for LP Gas</p>	
<p>Soft Blue Flames: Normal for Natural Gas</p>	
<p>If the flame is completely or mostly yellow, verify that the regulator is set for the correct fuel. After adjustment, retest.</p> <p>Some orange-colored streaking is normal during the initial start-up.</p> <p>Allow unit to operate 4-5 minutes and re-evaluate before making adjustments.</p>	

Figure 26: Flame Characteristics

Test Rangetop Burners

Test Burner Ignition. Select a rangetop burner knob. Push in and turn counterclockwise to HI. The ignitor/spark module will produce a clicking sound. Once the air has been purged from the supply lines, the burner should light within four (4) seconds.

Test Flame: High Setting. Turn burner on to HI. See *Figure 26* for appropriate flame characteristics.

If any of the rangetop burners continue to burn mostly or completely yellow, verify that the burner cap is positioned properly on the burner base, then retest. If flame characteristics do not improve, call THERMADOR®.

Test Flame: Low Setting. Turn burner on to SIM. Verify that the flame completely surrounds the burner. There should be a flame at each burner port and there should be no air gap between the flame and the burner. If any burners do not carry over, call THERMADOR.

The two far left burners feature XLO®, that causes the flame to cycle on and off when the knob is set to the XLO range. This is normal operation.

Repeat the Ignition and Flame Test procedures, described above for each rangetop burner.

When Flame is Properly Adjusted:

There should be a flame at each burner port. There should be no air gap between the flame and burner port.

Test Oven Burners

Remove the oven bottom cover. Remove the 4 screws on the sides and the 2 screws on the back, then slide the cover forward while lifting to clear the angled baffle plate mounted to the bottom of the cover.

Test Bake Burner Ignition

Set the oven to BAKE at 350 °F (177 °C). After 30-75 seconds, the burner will ignite. The burner will stay lit until 350 °F (177 °C) is reached and then shut off. From this point forward, the burner will cycle on and off to maintain the temperature.

Test Broil Burner Ignition

Set cooking mode to BROIL. The burner will ignite after 30-75 seconds.

Note:

The air shutter for the bake burner is set at the factory for fully-open position under all conditions, and does not require adjustment.

The infrared ceramic broiler does not have an air shutter, so no adjustment is provided.

Replace oven bottom cover. Slide cover into place and reattach to bottom of oven cavity.

Call THERMADOR if:

1. Any of the burners do not light.
2. The broil burner or bake burner flame goes out before the oven heats to the desired temperature.
3. Any of the burners continue to burn yellow.

Installer Checklist

Final Check List

- Specified clearances maintained to cabinet surfaces.
- Unit Level – front to back – side to side.
- Burner caps positioned properly on burner bases.
- All packaging material removed.
- A Flush Island Trim or Backguard attached according to instructions.
- Kick panel in place and two (2) screws secure.
- Verify flame at each burner. The flame should appear as described in *Step 10*. Flame may need to burn for several minutes to remove impurities from the gas lines.
- Verify that the ExtraLow[®] feature works and relights around the entire burner.

Gas Supply

- Connection: 1/2" N.P.T. with a minimum 3/4" diameter flex line - suggested length four (4) ft., depending upon local codes.
- The appliance is connected only to the type of gas for which it is certified for use.
- Manual gas shut off valve installed in an accessible location (without requiring removal of range).
- Unit tested and free of gas leaks.
- If used on propane gas, verify that the propane gas supply is equipped with its own high pressure regulator in addition to the pressure regulator supplied with the appliance.
- Gas supply pressure does not exceed 14" W.C. (34.9 mb).

Operation

- Bezels centered on burner knobs, and knobs turn freely.
- Each burner lights satisfactorily, both individually and with other burners operating.
- Griddle is tilted slightly forward and does not rock (not all models).
- Oven door hinges seated and hinge locks in proper position. Door opens and closes properly.
- Burner grates correctly positioned, level and do not rock.

Electrical

- Receptacle with correct over-current protection is provided for service cord connection.
- Proper ground connection.
- Proper polarity at receptacle.

Troubleshooting

If the gas range does not operate properly, follow these troubleshooting steps:

- Verify that electrical power is being supplied to the range.
- Check electrical and gas supply connections to ensure that the installation has been completed correctly.
- Check that the gas supply shut-off valve is in the open position.
- Follow troubleshooting procedures outlined in the Use and Care Guide.
- To reach a service representative, see the contact information on the back page of this manual. Please be prepared with the model and serial number information from the product data rating labels (see *Figure 4 on page 9 for location*).
- INSTALLER: Write the model number and serial number (see "*Data Rating Label Location*" on page 22 for location) in the Use and Care Guide. Leave the Use and Care Guide and Installation Manual with the owner of the appliance.

To Clean and Protect Exterior Surfaces

The stainless steel surfaces may be cleaned by wiping with a damp soapy cloth, rinsing with clear water and drying with a soft cloth to avoid water marks. Any mild glass cleaner will remove fingerprints and smears.

For discolorations or deposits that persist, refer to the Use and Care Guide.

To polish and protect the stainless steel, use a cleaner/polish such as Stainless Steel Magic®.

DO NOT allow deposits to remain for long periods of time.

DO NOT use ordinary steel wool or steel brushes. Small bits of steel may adhere to the surface causing rust.

DO NOT allow salt solutions, disinfectants, bleaches or cleaning compounds to remain in contact with stainless steel for extended periods. Many of these compounds contain chemicals which could prove harmful. Rinse with water after exposure and wipe dry with a clean cloth.

NOTICE:

Specifications are for planning purposes only. Refer to installation instructions and consult your counter top supplier prior to making counter opening. Consult with a heating and ventilating engineer for your specific ventilation requirements. For the most detailed information, refer to installation instructions accompanying product or write THERMADOR® indicating model number.

We reserve the right to change specifications or design without notice. Some models are certified for use in Canada. THERMADOR is not responsible for products which are transported from the U.S. for use in Canada. Check with your local Canadian distributor or dealer.

Table des matières

Consignes de Sécurité	1
Informations importantes concernant l'installation	2
Étape 1 : Exigences pour la ventilation	3
Étape 2 : Préparation de l'emplacement de l'armoire	4
Étape 3 : Déballage, manutention et mise en place de la cuisinière	9
Étape 4 : Installation du dispositif antibascule	11
Étape 5 : Exigences de l'alimentation du gaz et raccordement	13
Étape 6 : Exigences électriques, connexions et mise à la terre	15
Étape 7 : Installation du dossier	16
Étape 8 : Retrait et installation de la porte	22
Étape 9 : Mise en place et nivelage de la cuisinière	24
Étape 10 : Test et réglage des brûleurs	27
Liste de vérification à l'intention de l'installateur	28
Nettoyage et protection des surfaces externes	29

Cet appareil électroménager de THERMADOR^{mc} est fait
par BSH Home Appliances Corporation
1901 Main Street, Suite 600
Irvine, CA 92614

Des questions?

1-800-735-4328

www.thermador.ca

Nous attendons de vos nouvelles!

Consignes de Sécurité



CONSIGNES DE SÉCURITÉ IMPORTANTES

LISEZ ET CONSERVEZ CES INSTRUCTIONS

**APPROUVÉ POUR TOUS LES APPAREILS
RÉSIDENTIELS**

POUR UTILISATION RÉSIDENNELLE SEULEMENT

IMPORTANT : Conservez ces instructions pour l'inspecteur de la société gazière de votre localité.

INSTALLATEUR : Veuillez laisser ces instructions d'installation avec l'appareil pour le propriétaire.

PROPRIÉTAIRE : Veuillez conserver ces instructions pour consultation ultérieure.



AVERTISSEMENT:



Coupez l'électricité avant d'installer l'appareil. Avant de rétablir l'électricité, assurez-vous que toutes les commandes sont à la position OFF.



AVERTISSEMENT:

Si les directives du présent manuel ne sont pas respectées scrupuleusement, des incendies ou des décharges électriques pourraient être à l'origine de dommages matériels ou de blessures corporelles, ou même entraîner la mort.

- N'entreposez pas et n'utilisez pas d'essence ou d'autres produits inflammables à proximité de la cuisinière ou de tout autre appareil.
- SI VOUS DÉTECTEZ UNE ODEUR DE GAZ
 - N'allumez aucun appareil.
 - Ne touchez pas aux interrupteurs électriques.
 - N'utilisez pas les téléphones du bâtiment où vous vous trouvez.
 - Appelez immédiatement votre société gazière chez un voisin et suivez les instructions qu'elle vous donne.
 - Si vous n'arrivez pas à contacter votre société gazière, appelez le service d'incendie.
- L'installation et les travaux d'entretien doivent être réalisés par un installateur qualifié, un centre de réparation agréé ou une société gazière.

IMPORTANT:

Les réglementations locales varient. L'installation, le branchement au gaz et la mise à la terre doivent être conformes à toutes les réglementations en vigueur.



AVERTISSEMENT:



Un enfant ou un adulte pourrait faire basculer l'appareil et perdre la vie. Assurez-vous que le dispositif anti-bascule a été convenablement installé et que la patte de l'appareil est retenue par le support lorsque vous remettez la cuisinière en place.

Ne faites pas fonctionner l'appareil si le support anti-bascule n'est pas en place.

La non-observation des instructions du présent manuel peut entraîner la mort ou causer de graves brûlures à des enfants ou des adultes.

Assurez-vous que le support anti-bascule est bien installé et dûment utilisé. Faites doucement basculer la cuisinière vers l'avant en la tirant par l'arrière pour vous assurer que la patte de l'appareil est bel et bien entrée dans le support anti-bascule et que l'appareil ne peut se renverser. La cuisinière ne devrait pas pouvoir bouger de plus d'un pouce (2,5 cm).

Pour les installations au Massachusetts :

1. L'installation doit être réalisée par un entrepreneur qualifié ou accrédité, un plombier ou un installateur de gaz qualifié ou autorisée par l'État, la province ou la région dans laquelle cet appareil est installé.
2. La vanne d'arrêt de gaz doit être pourvue poignée en « T ».
3. La longueur du tuyau de gaz ne doit pas excéder 36 po (914 mm).

Note :

Cette cuisinière **N'EST PAS** conçue pour les maisons mobiles préfabriquées ni pour les véhicules récréatifs.

Informations importantes concernant l'installation

Vérification du type de gaz

Vérifiez le type de gaz fourni sur les lieux d'installation. L'appareil doit être raccordé au type de gaz pour lequel il est certifié. Toutes les cuisinières sont certifiées pour une utilisation avec gaz naturel ou gaz propane seulement. Assurez-vous que la cuisinière correspond au type de gaz disponible; ces appareils ne sont pas convertibles pour tous les types de gaz.

Voir « Tableau C : Numéro de modèle de dossier » pour les modèles de dossier appropriés pour cet appareil. Une fois le dossier choisi, l'appareil doit être installé adéquatement en utilisant les espaces libres minimaux pour surfaces combustibles spécifiées dans les instructions de préparation d'armoire, «*Étape 2 : Préparation des armoires*».



AVERTISSEMENT:

Pour éviter tout risque de brûlure ou d'incendie, un dossier de protection conçu spécialement pour cette cuisinière doit être installé avant son utilisation.



ATTENTION:

Lorsque vous branchez l'appareil au gaz propane, assurez-vous que le réservoir de gaz propane est muni de son propre mécanisme régulateur à haute pression en plus du régulateur à haute pression fourni avec l'appareil. La pression de gaz maximale de cet appareil ne devrait pas excéder 14,0 pouces (34,9 mb) de colonne d'eau entre le réservoir de propane et le régulateur à haute pression.



ATTENTION:

Cet appareil est conçu pour une utilisation culinaire. Pour des raisons de sécurité, ne l'utilisez jamais pour chauffer une pièce.

N'installez PAS cet appareil à l'extérieur.

IMPORTANT:

Lors d'une installation contre une surface combustible, vous devez utiliser une étagère haute ou un dossier bas. Vous pouvez vous acheter séparément ces articles THERMADOR^{mc}.

Lors de l'utilisation de la garniture d'îlot THERMADOR, il faut un espace minimal de 12 po (305 mm) entre la partie arrière de l'appareil et la surface combustible (voir «*Étape 1 : Exigences en matière de ventilation*» à la page 3). Les espaces libres jusqu'aux surfaces non combustibles ne sont pas précisés dans la norme ANSI Z21.1 et ne sont pas certifiés par la CSA. Tout espace libre de moins de 12 po (305 mm) doit être approuvé par les normes locales ou l'autorité locale ayant compétence.

Consultez les « Numéros de modèle des dossiers » pour connaître les modèles de dossier conçus pour cette cuisinière. Une fois le dossier approprié choisi, la cuisinière doit être installée adéquatement en respectant les espaces libres minimaux pour les surfaces combustibles mentionnés à la section «*Étape 2 : Préparation des armoires*».

Alimentation en gaz :

Gaz naturel — 14,9 mb min. (6 po, C.E.), à 34,9 mb max. (14 po, C.E.)

Gaz propane — 27,4 mb min. (11 po, C.E.), 34,9 mb max. (14 po)

Alimentation électrique :

Modèles de 76,2 cm (30 po) :

Brûleurs 4 : 120 VCA, 60 Hz, monophasé, circuit de 10 A.

Modèles de 91,4 cm (36 po) :

Brûleurs 6 : 120 VCA, 60 Hz, monophasé, circuit de 10 A.
Brûleurs 4 avec gril : 120 VCA, 60 Hz, monophasé, circuit de 20.

Modèles de 121,9 cm (48 po) :

Brûleurs 6 avec gril : 120 VCA, 60 Hz, monophasé, circuit de 20.

Cet appareil a été testé conformément à la norme américaine ANSIZ21.1 pour les appareils électroménagers de cuisson au gaz et à la norme canadienne CAN 1.1-M81 sur les cuisinières à gaz ménagères. On recommande fortement d'installer une hotte de ventilation adaptée au-dessus de cet appareil. Comme cet appareil peut dégager une forte chaleur, on doit porter une attention particulière aux travaux d'installation des conduits et de la hotte,

lesquels doivent être conformes à la réglementation locale de construction.

Cet appareil est conforme à une ou plusieurs normes suivantes:

- UL 858, norme pour la sécurité des cuisinières électriques domestiques
- UL 923, norme pour la sécurité des appareils à cuisson aux micro-ondes
- UL 507, norme pour la sécurité des ventilateurs électriques
- ANSI Z21.1, norme nationale américaine pour appareils ménagers de cuisson au gaz
- CAN/CSA-C22.2 n° 113-M1984 ventilateurs et hottes
- CAN/CSA-C22.2 n° 61-08 cuisinières ménagères

Vérifiez la réglementation locale en vigueur pour connaître la bonne méthode d'installation de l'appareil. Les réglementations locales varient. L'installation, le branchement électrique et la mise à la terre doivent respecter toutes les réglementations en vigueur. S'il n'y a pas de réglementation, l'appareil doit être installé conformément aux normes américaines en vigueur sur le gaz combustible ANSI Z223.1/NFPA54 et l'électricité ANSI/NFPA70. Au Canada, l'installation doit être conforme aux normes canadiennes CAN 1-B149.1 et CAN 1-B149.2 du code du bâtiment pour l'installation d'appareils fonctionnant au gaz, et/ou au code de construction local.

Il incombe au propriétaire et à l'installateur de déterminer si des exigences et/ou des normes additionnelles s'appliquent à l'installation spécifique.

Outils requis	
(2) clés de ½ po	Mèche de 1/8 po (3,17 mm)
Mèche de 3/16 po (4,76 mm)	Clé ajustable de 12 po
Perceuse à main ou électrique	Ruban à mesurer
Tournevis plat et tournevis Phillips	Instrument de marquage
Niveau	Plate-forme à roulettes
Tournevis Torx T-20	Gants de protection
Articles non inclus	
Vis d'ancrage pour cloison sèche et béton	Composé/ruban pour tuyau
Corde/ficelle	Tuyau souple de ¾ po (19 mm)
Bride de cordon	(2) adaptateurs pour bride, conformes à la norme NPT

Étape 1 : Exigences en matière de ventilation

Il est fortement recommandé d'installer une hotte de ventilation appropriée au-dessus de la cuisinière. Une ventilation par aspiration descendante ne devrait pas être utilisée. Le tableau ci-dessous énumère les hottes et les directives qu'il est conseillé d'utiliser avec les cuisinières THERMADOR^{mc} en matière de puissance de ventilation.

N'installez pas un combiné hotte/four à micro-ondes au-dessus de la cuisinière. Ces appareils ne fournissent pas une ventilation appropriée et ne sont pas conçus pour être utilisés avec une cuisinière.

AVIS :

La plupart des hottes contiennent des matériaux combustibles qui doivent être pris en considération lors de la planification de l'installation.

IMPORTANT :

Les hottes et les ventilateurs sont conçus pour être utilisés avec un seul conduit mural. Cependant, certains inspecteurs ou codes du bâtiment exigent l'utilisation d'un conduit double. Consultez le code de la construction en vigueur ou des organismes locaux avant d'entreprendre les travaux pour vous assurer que l'installation de la hotte et des conduits répond aux exigences locales.

1. Choix des modèles de hotte et de ventilateur :

- Pour les installations murales, la largeur de la hotte doit être au moins égale à celle de la cuisinière. Si l'espace le permet, il est souhaitable d'installer une hotte plus large que la table de cuisson pour assurer une meilleure ventilation.
- Pour les installations en îlot, la largeur de la hotte devrait excéder celle de la cuisinière d'au moins 3 po (76 mm) de chaque côté.

2. Emplacement de la hotte :

- Pour une évacuation accrue de la fumée, la bordure inférieure de la hotte doit se trouver à 30 po (762 mm) au-dessus de la table de cuisson. Utilisez un espace libre d'au moins 36 po (914 mm) si des éléments combustibles, comme des panneaux en bois, se trouvent dans la hotte (*Figure 1*).

3. Air d'appoint :

- Compte tenu de l'important volume d'air requis, il est recommandé de prévoir un apport d'air de l'extérieur. Cet aspect revêt une importance particulière pour les maisons bien isolées et très étanches.
- Il est recommandé de consulter un spécialiste qualifié en chauffage et en ventilation.

Largeur de la cuisinière	Configuration de la surface de cuisson	Pied cube par minute (exigence minimale)	Options de ventilation
30 po	4 brûleurs	800 pi ³ /min.	Hotte Pro Wall de 30 ou 36 po Garniture sur mesure de 30 ou 36 po avec ventilateur optionnel Hotte d'îlot de 42 po avec ventilateur optionnel
36 po	4 brûleurs avec une plaque chauffante	800 pi ³ /min.	Hotte Pro Wall de 36 ou 42 po Garniture sur mesure de 36 po avec ventilateur optionnel
	6 brûleurs	1 100 pi ³ /min.	Hotte d'îlot de 42 ou 48 po avec ventilateur optionnel
48 po	6 brûleurs avec une plaque chauffante	1 200 pi ³ /min.	Hotte Pro Wall de 48 ou 54 po Garniture sur mesure de 48 po avec ventilateur optionnel

REMARQUES IMPORTANTES :

Il est recommandé d'utiliser une hotte murale ou une hotte îlot, ou une garniture sur mesure THERMADOR

PROFESSIONAL[®] avec les cuisinières THERMADOR PROFESSIONAL consultez le www.thermador.com pour une gamme complète d'options de ventilation, de souffleries et d'accessoires Professional.

* Pour les cuisinières à gaz à rendement élevé (60 000 BTU ou plus), une ventilation minimale de 1 pi³/ min. par 100 BTU est recommandée. Si la cuisinière est dotée d'une plaque chauffante, ajouter 150 pi³/ min. à la capacité de soufflerie estimée. Une plus grande capacité de soufflerie peut être requise pour les conduits plus longs.

Pour les installations en îlot, il est recommandé d'utiliser une hotte dont la largeur excède de 6 po (152 mm) celle de la cuisinière, soit 3 po (76 mm) de chaque côté.

pi³/ min. = pied cube par minute (cote standard pour la capacité d'un ventilateur).

Étape 2 : Préparation des armoires

- La cuisinière est un appareil monobloc. Si l'appareil est installé entre deux armoires, les espaces libres indiqués à la « *Figure 1 : Espace libre – Armoires* » sont requis. Les mêmes espaces libres s'appliquent aux installations en îlot, sauf pour les armoires suspendues, où il doit y avoir suffisamment d'espace pour une hotte de style îlot avec un rebord (également illustré sur la *Figure 1*).
- Les entrées d'électricité et de gaz doivent se trouver dans les zones indiquées à la *Figure 3*.
- Toute ouverture dans le mur derrière l'appareil ou dans le plancher sous l'appareil doit être scellée.
- Lors d'une installation contre une surface combustible, vous devez utiliser une étagère haute ou un dossierer bas. Vous pouvez vous acheter séparément ces articles THERMADOR^{mc}.
- Lors de l'utilisation de la garniture d'îlot THERMADOR, il faut un espace minimal de 12 po (305 mm) entre la partie arrière de l'appareil et la surface combustible (*voir*). Les espaces libres jusqu'aux surfaces non combustibles ne sont pas précisés dans la norme ANSI Z21.1 et ne sont pas certifiés par la CSA. Tout espace libre de moins de 12 po (305 mm) doit être approuvé par les normes locales ou l'autorité locale ayant compétence.

- Lorsque la cuisinière est installée contre un mur combustible, un espace libre d'au moins 5 po (127 mm) est requis entre le côté de la cuisinière et le mur.
- L'appareil ne doit jamais se trouver à proximité de matériaux combustibles, d'essence et d'autres produits inflammables sous forme de gaz ou de liquide.
- N'obstruez pas le débit d'air de combustion et de ventilation de l'appareil.
- La profondeur maximale des armoires, installées d'un côté ou de l'autre au-dessus de la hotte, devrait être de 13 po (330 mm).

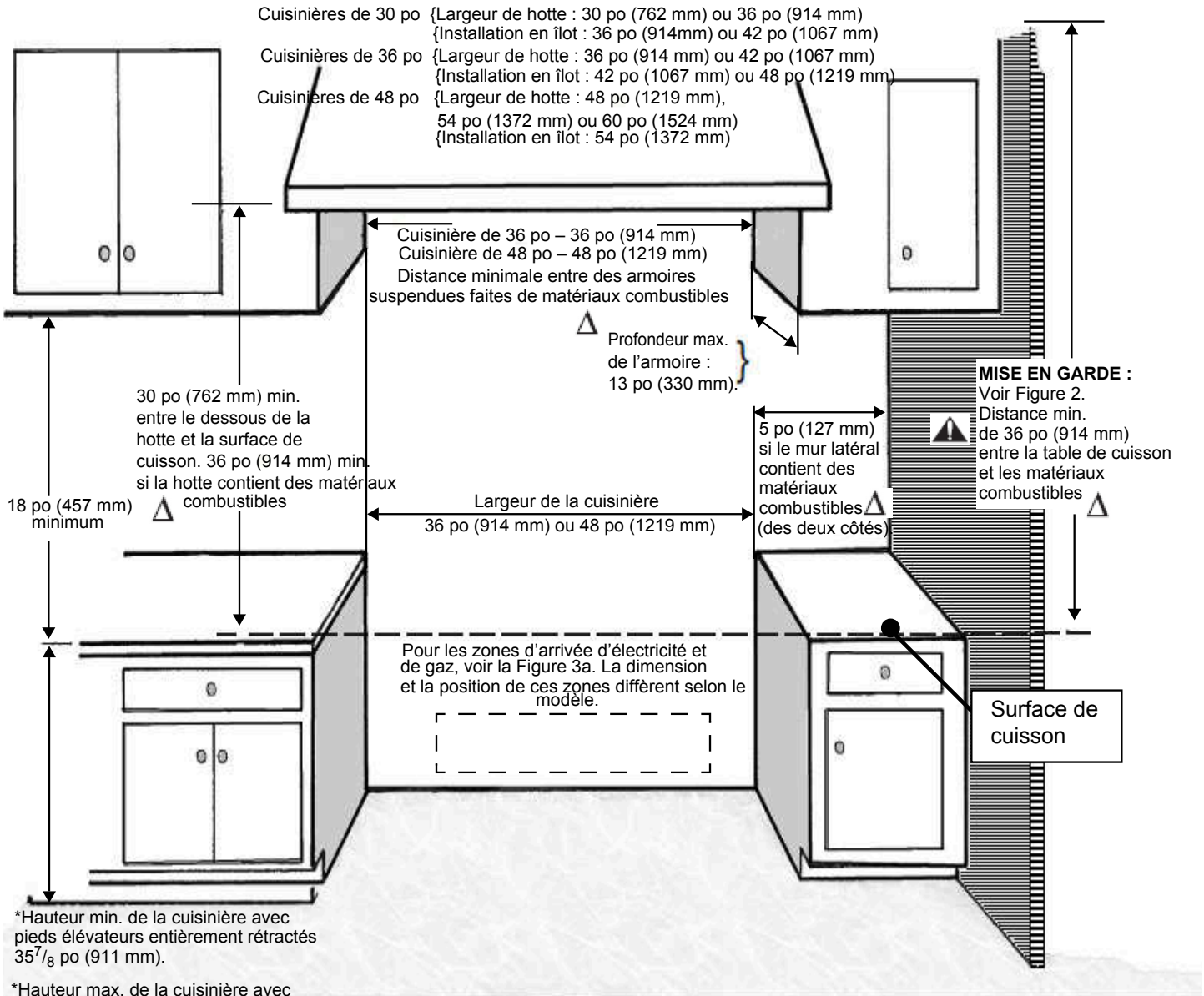
Un espace libre minimal de 36 po (914 mm) est nécessaire entre la surface de cuisson et le dessous de toute armoire non protégée. Un espace libre de 30 po (762 mm) peut être utilisé lorsque la partie inférieure d'une armoire en bois ou en métal est protégée par un matériau ignifuge d'une épaisseur minimale de ¼ po (6,35 mm) revêtu d'une feuille d'acier no 28 MSG, d'acier inoxydable de 0,015 po (0,38 mm), d'aluminium de 0,024 po (0,61 mm) ou de cuivre de 0,020 po (0,51 mm).

Les matériaux ignifuges portent la marque suivante : UNDERWRITERS LABORATORIES INC. CLASSIFIED MINERAL AND FIBER BOARDS SURFACE BURNING CHARACTERISTICS (caractéristiques relatives à l'inflammabilité de panneaux de fibres et de minéraux classés). Cette indication est suivie par des indices de propagation de flamme et de fumée. Ces désignations sont

indiquées par le sigle « FHC » (Flame Spread/Smoke Developed – Propagation de la flamme/Production de fumée).

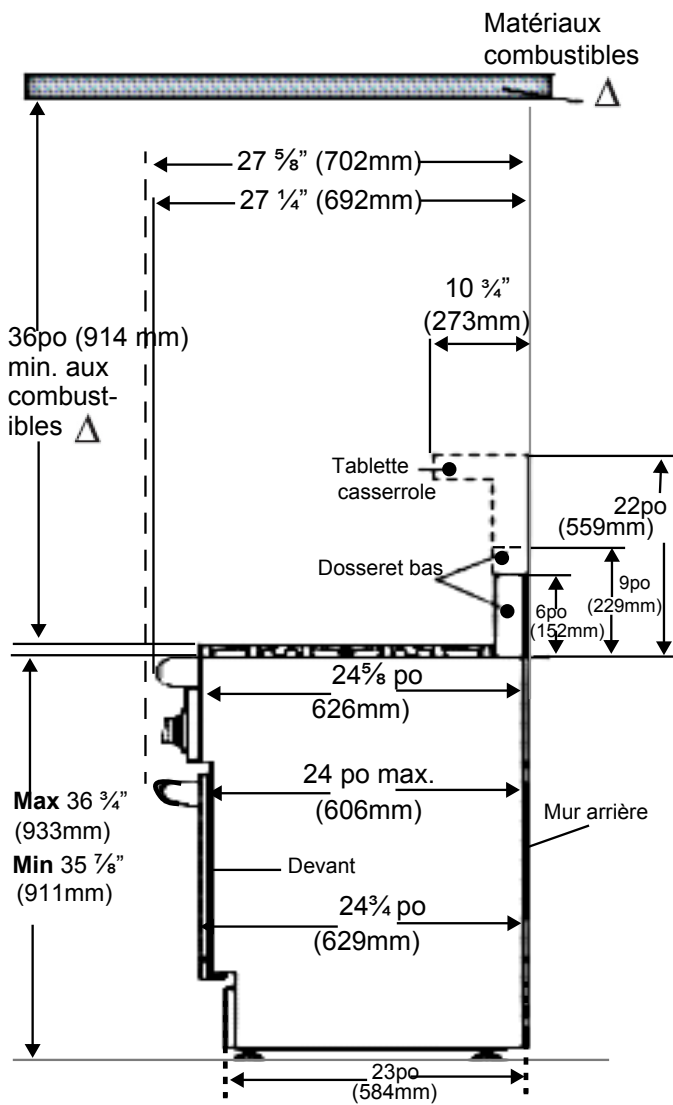
Les matériaux ayant un indice de propagation de flamme de 0 sont ignifuges. La réglementation locale peut autoriser un indice de propagation de flamme différent. Il est de la responsabilité de l'installateur de veiller à ce que l'installation se fasse conformément à ces indices.

Espaces libres pour l'installation



△ Comme défini dans le « Code national du gaz combustible » ANSI Z223.1 – édition actuelle. Les espaces libres jusqu'aux surfaces non combustibles ne sont pas précisés dans la norme ANSI Z21.1 et ne sont pas certifiés par la CSA. Tout espace libre de moins de 12 po (305 mm) doit être approuvé par les normes locales ou l'autorité locale ayant compétence.
 * La hauteur de la cuisinière est réglable. Le dessus de la cuisinière doit être au même niveau que le comptoir ou à une hauteur plus élevée.

Figure 1 : Espace libre – Armoires

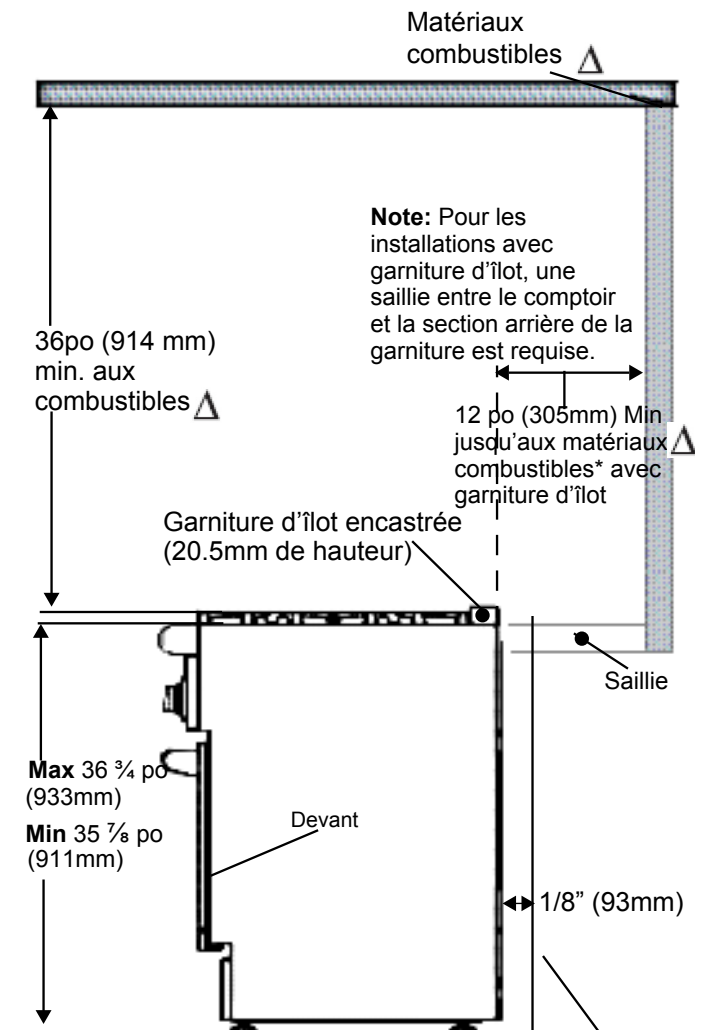


Installation avec «Dosseret Bas» ou «Étagère À Casseroles»

Remarque:

Porte du four ouverte, haut de la porte à 44 7/8" (1140mm) po depuis la paroi arrière, derrière la cuisinière installée. Un espace libre suffisant doit être laissé pour permettre une circulation facile lorsque la porte est ouverte.

△ Comme défini dans le « Code national du gaz combustible » ANSI Z223.1 – édition actuelle. Les espaces libres jusqu'aux surfaces non combustibles ne sont pas précisés dans la norme ANSI Z21.1 et ne sont pas certifiés par la CSA. Tout espace libre de moins de 12 po (305 mm) doit être approuvé par les normes locales ou l'autorité locale ayant compétence.



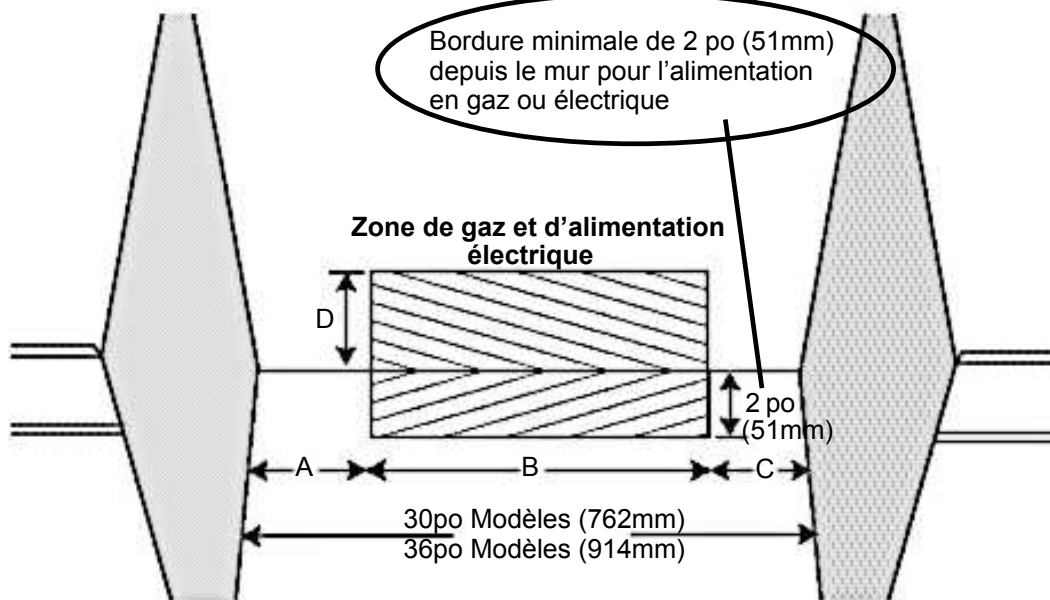
Note: Si une paroi intérieure est utilisée sous la saillie, il devrait y avoir un espace de 1/8 po (3 mm) entre l'arrière de la cuisinière et la paroi intérieure.

Installation avec «Garniture d'îlot encastrée»

Figure 2 : Vue latérale

ALIMENTATION DE GAZ ET ÉLECTRIQUE

Emplacement de l'alimentation électrique et en gaz pour les cuisinières à combustion jumelée 30" et 36"



Model	A	B	C	D
30po (762mm)	5 ³ / ₄ po (146mm)	18 ⁷ / ₁₆ po (468mm)	5 ¹³ / ₁₆ po (148mm)	2 ¹⁵ / ₁₆ po (75mm)
36po (913mm)	8 ¹ / ₁₆ po (205mm)	19 ¹³ / ₁₆ po (503mm)	8 ¹ / ₈ po (206mm)	3 ³ / ₁₆ po (81mm)

Emplacement de l'alimentation électrique et en gaz pour les cuisinières à combustion jumelée 48"

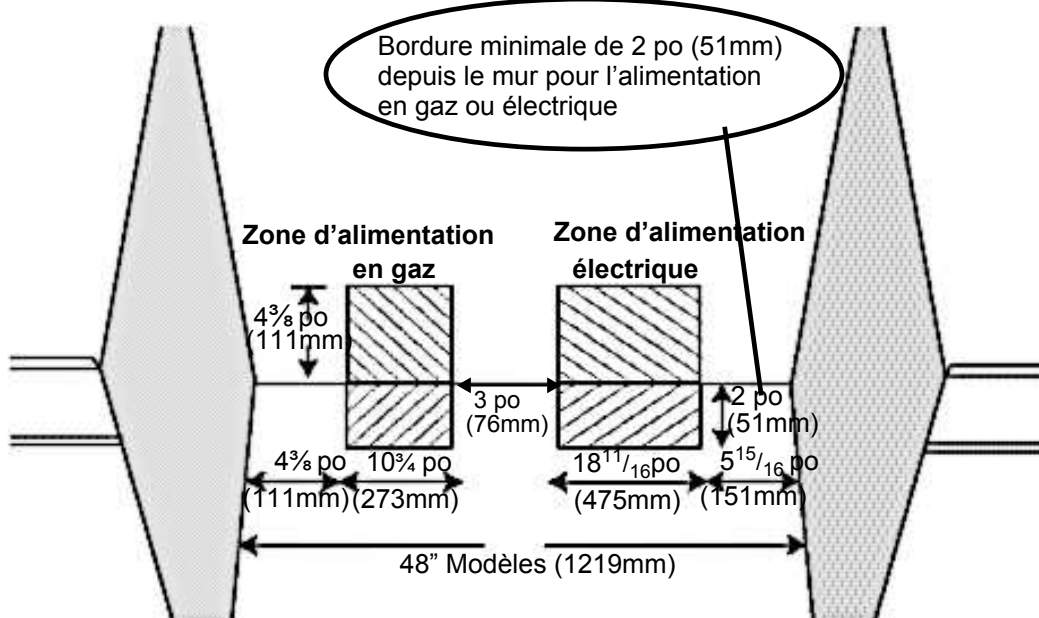


Figure 3 : Emplacement de l'alimentation électrique et en gaz pour les cuisinières à combustion jumelée

NOTE :

- S'il n'y en a pas déjà une en place, installez une vanne manuelle d'arrêt de gaz à un endroit facile d'accès.
- Assurez-vous d'indiquer à tous les utilisateurs où se trouve l'approvisionnement en gaz de la cuisinière et de leur montrer comment la fermer.
- Toute ouverture dans le mur derrière l'appareil ou dans le plancher sous l'appareil doit être scellée.

La cuisinière à gaz peut être branchée à l'alimentation électrique avec le cordon d'alimentation (fourni avec la cuisinière) ou par un câblage fixe. Il est de la responsabilité de l'installateur de fournir les éléments de câblage électrique appropriés (cordon ou conduit et fils) et de procéder au raccordement au gaz conformément aux règlements et codes locaux ou au code national de l'électricité. L'appareil doit être mis à la terre adéquatement. Voir "Étape 7 : Installation du dossier".

La cuisinière doit être raccordée uniquement au type de gaz pour lequel elle est certifiée. Si la cuisinière doit être approvisionnée en gaz propane, assurez-vous que le réservoir de propane est muni de son propre mécanisme régulateur à haute pression en plus du régulateur à haute pression de l'appareil (voir "Étape 6 : Exigences pour l'alimentation électrique, le branchement et la mise à la terre").

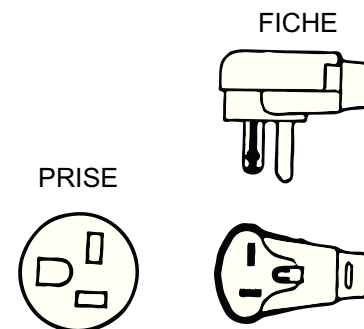
NOTE :

La cuisinière est conçue pour être presque parfaitement alignée avec le mur arrière. Pour une installation réussie, il peut être nécessaire de repositionner le tuyau d'approvisionnement en gaz et le cordon électrique lorsque la cuisinière est poussée à son emplacement définitif.

- **SUGGESTION:** Pour y arriver, nous vous suggérons de passer une corde ou une ficelle autour du tuyau ou du cordon électrique et de tirer au moment de pousser la cuisinière à son emplacement définitif.

IMPORTANT :

Le cordon fourni avec la cuisinière à gaz, dotée d'un gril électrique requiert une prise NEMA 5-20, comme indiqué ci-dessus. Il est possible que le code de construction local exige une méthode de câblage différente.



Alimentation électrique

L'installation des cuisinières à gaz doit être planifiée de sorte que la boîte de dérivation de la prise laisse le maximum d'espace à l'arrière de l'appareil. Afin de minimiser les torsions lors du branchement de l'appareil à la prise ou à la boîte, orientez d'abord la prise et faites glisser l'appareil en place.

Lorsque le cordon d'alimentation (non fourni) ou le conduit est branché à sa prise correspondante ou au couvercle de boîte de jonction, la prise/fiche combinée ou la boîte de jonction/connecteur de conduit ne doivent pas dépasser de plus de 2 po du mur arrière. Voir Figure 4.

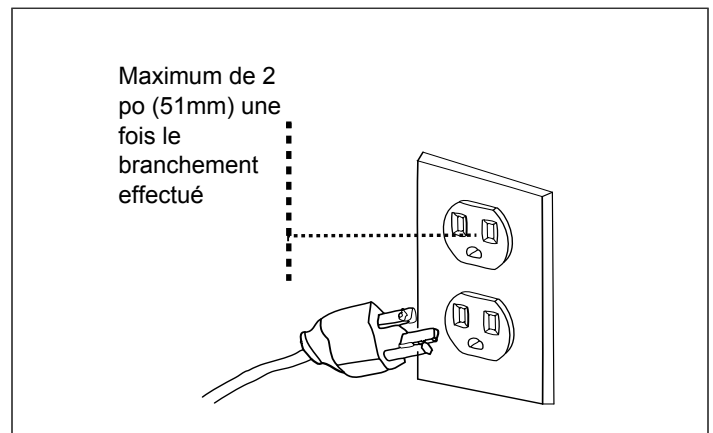



Figure 4 : Connexion murale

Étape 3 : Déballage et manutention de la cuisinière


ATTENTION:



La cuisinière est lourde et devrait être manipulée en conséquence. Pour éviter tout risque de blessure ou de dommages à l'appareil ou au plancher, la cuisinière devrait être déplacée par au moins deux personnes utilisant de l'équipement adéquat, comme des gants de protection, et ne portant pas des bagues, des montres ou tout autre objet semblable pouvant endommager l'appareil ou s'y accrocher.

Les surfaces cachées de l'appareil peuvent comporter des saillies coupantes. Faites attention lorsque vous prenez l'appareil par le dessous ou que vous le tirez.


ATTENTION:



N'utilisez pas un charriot manuel ou à électroménager à l'avant ou à l'arrière de l'appareil. Manipulez-le seulement sur les côtés.

ATTENTION:

NE soulevez Pas la cuisinière par la poignée de porte. Cela peut endommager les charnières et ainsi la porte s'ajustera mal dans l'ouverture.



Enlevez tout le matériel d'emballage et le ruban adhésif avant d'utiliser l'appareil. Veuillez recycler le matériel d'emballage, car tout ce que THERMADOR^{mc} utilise pour emballer ses appareils est recyclable. Ne laissez jamais des enfants jouer avec le matériel d'emballage.

1. Le poids approximatif de la cuisinière à l'expédition est indiqué au Tableau A. Pour faciliter la manutention de l'appareil, enlevez les grilles, la plaque chauffante, les chapeaux des brûleurs et les grilles du four. N'enlevez pas l'élément de la plaque chauffante ni l'assemblage du plateau.

2. Retirez le carton et le matériel d'emballage de l'appareil sur la palette, mais laissez la mousse adhésive qui recouvre les surfaces de métal brossé afin de protéger le fini contre les égratignures jusqu'à ce que la cuisinière soit installée à son emplacement définitif. Laissez la mousse avec adhésif sur les surfaces en métal brossé pour protéger le fini contre les égratignures jusqu'à ce que l'appareil soit installé à sa position finale.

Tableau A	Cuisinière de 30 po	Cuisinière de 36 po	Cuisinière de 48 po
Poids à l'expédition	300 lb	340 lb	540 lb
Poids sans matériaux d'emballage	270 lb	300 lb	470 lb
Poids sans porte(s), chapeaux de brûleurs, plaque d'habillage et grilles de four	150 lb	210 lb	330 lb

3. Les cuisinières sont fixées aux palettes avec quatre (4) boulons (consultez la Figure 6). Vous devez enlever le panneau de seuil pour avoir accès aux boulons de l'avant de la palette (consultez la Figure 5). Pour enlever le panneau de seuil (plinthe), enlevez les deux vis situées sous les coins inférieurs de la cavité du four et soulevez le panneau de seuil hors des deux saillies de la base de la cuisinière (consultez également la section « Ajustement du panneau de seuil (plinthe) » à la page 26).
- Le schéma du câblage électrique se trouve derrière le panneau de seuil (plinthe). Il ne devrait pas être enlevé par quelqu'un d'autre qu'un technicien, qui devra le remettre en place après utilisation.

Enlevez les vis avec un tournevis Torx T-20. Poussez légèrement le panneau vers le haut puis tirez vers l'extérieur lorsque vous avez enlevé les vis.

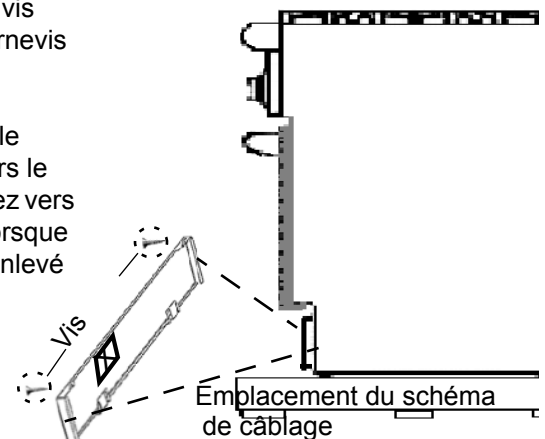


Figure 5 : Retrait du panneau de seuil (plinthe)

- Une fois que vous avez enlevé les boulons de la palette à l'aide de deux clés de 0,5 po (12,7 mm) – une pour retenir le boulon du dessous, l'autre pour desserrer l'écrou du dessus –, vous pouvez soulever la cuisinière et enlever la palette.

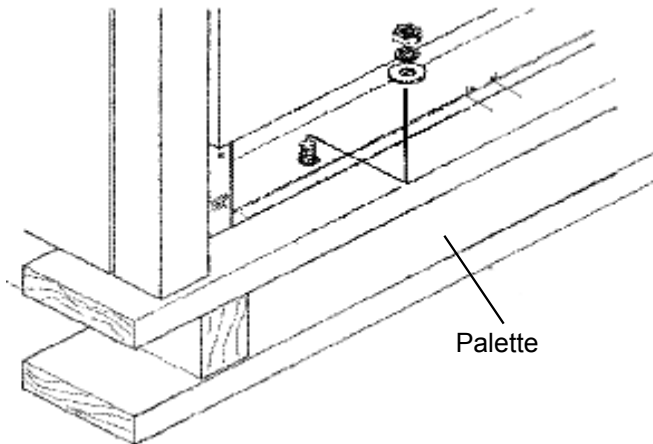


Figure 6 : Enlèvement des quatre (4) boulons de transport

- En raison du poids de la cuisinière, il convient d'utiliser une plate-forme à roulettes souples pour la déplacer. Le poids doit être uniformément réparti sur la plate-forme (voir Figure 7).

Le poids de la cuisinière doit être uniformément réparti en s'aidant des supports placés sur le dessous de la cuisinière

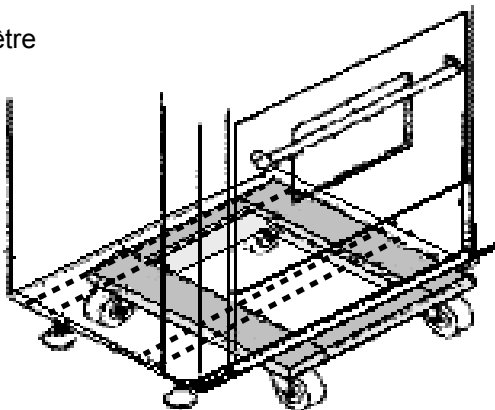


Figure 7 : Emplacement de la plate-forme à roulettes

- Transportez la cuisinière sur la plate-forme près de son emplacement définitif, faites-la basculer pour qu'elle repose sur les pieds arrière puis retirez la plate-forme. **PROTÉGEZ LE SOL SE TROUVANT SOUS LES PIEDS AVANT DE METTRE LA CUISINIÈRE EN PLACE.**

- Installez le dispositif antibasculé ("Étape 4 : Installation du dispositif anti-basculé"), raccordez le gaz et l'électricité (voir "Étape 5 : Exigences de l'alimentation en gaz et raccordement") et "Étape 6 : Exigences pour l'alimentation électrique, le branchement et la mise à la terre", puis installez la plaque de protection ("Étape 7 : Installation du dossier") avant de placer définitivement la cuisinière.
 - Pour garantir son bon fonctionnement, la **cuisinière doit être nivelée**. (Ce point est important pour tous les produits équipés d'une plaque chauffante.) La cuisinière se nivelle en réglant les pieds avec une clé.
- Remettez la base. **Il est important que les deux (2) vis qui maintiennent la base soient solidement fixées pour éviter un contact accidentel avec les surfaces chaudes.**
 - Assurez-vous que les chapeaux des brûleurs sont correctement installés sur les bases des brûleurs de la table de cuisson.
 - Enlevez tout le matériel d'emballage et le ruban adhésif avant d'utiliser l'appareil. Veuillez recycler le matériel d'emballage, car tout ce que THERMADOR^{mc} utilise pour emballer ses appareils est recyclable. Ne laissez jamais des enfants jouer avec le matériel d'emballage.

Étape 4 : Installation du dispositif anti-bascule



AVERTISSEMENT:

DANGER DE BASCULEMENT:

- **Toutes les cuisinières peuvent basculer et causer une blessure.** Pour éviter le basculement accidentel de la cuisinière, fixez-la au sol au moyen du dispositif anti-bascule fourni.
- L'appareil risque de basculer si le dispositif n'est pas installé conformément aux présentes instructions. Pour toutes les cuisinières, un dispositif anti-bascule doit être installé conformément aux présentes instructions.

En déplaçant la cuisinière pour la nettoyer, la réparer ou pour toute autre raison, assurez-vous qu'elle s'est bien enclenchée dans le dispositif anti-bascule lorsque vous la remettez en place. Autrement, si l'appareil est utilisé de façon anormale (par exemple, si quelqu'un monte, s'assoie ou s'appuie sur une porte ouverte), la cuisinière risque de basculer. Le basculement de la cuisinière ou d'un liquide chaud se trouvant sur la surface de cuisson pourrait causer des blessures corporelles.



AVERTISSEMENT:

RISQUE DE DÉCHARGE ÉLECTRIQUE:

- Soyez très prudent lorsque vous percez des trous dans le mur ou le plancher, car des fils électriques peuvent s'y trouver.
- Identifiez les circuits électriques pouvant se trouver à l'endroit où le dispositif anti-bascule sera installé et coupez l'alimentation électrique de ces circuits.
- Si vous ne respectez pas ces instructions, vous pourriez recevoir une décharge électrique ou vous blesser.

ATTENTION - DOMMAGES À LA PROPRIÉTÉ:

- Communiquez avec un installateur ou un entrepreneur qualifié pour déterminer la méthode convenable à adopter pour percer des trous dans le revêtement des murs ou du plancher (comme des tuiles de céramique, du bois dur, etc.)
- Ne faites pas glisser la cuisinière sur un plancher non protégé.
- Si vous ne respectez pas ces instructions, vous risquez d'endommager les murs ou le plancher.

Outils nécessaires à l'installation du dispositif anti-bascule:

- Tournevis Phillips
- Perceuse électrique ou à main
- Ruban à mesurer ou règle
- Foret de 1/8 po (3,175 mm) (mur ou plancher en bois ou en métal)
- Foret à maçonnerie en métal dur de 3/16 po (4,76 mm) (mur ou plancher en béton ou en blocs de béton)
- Quatre ancrages de 3/16 po (4,76 mm) pour cloison sèche ou béton (non requis si le support est vissé dans du bois dur ou du métal)
- Marteau
- Crayon ou autre marqueur



AVERTISSEMENT:



- Un enfant ou un adulte pourrait faire basculer l'appareil et perdre la vie.
- Assurez-vous que le dispositif anti-bascule est convenablement installé et que la patte de l'appareil entre dans le support, conformément aux instructions d'installation.
- Assurez-vous que la patte entre dans le support lorsque vous remettez l'appareil en place.
- Ne faites pas fonctionner l'appareil si le support anti-bascule n'est pas installé et qu'il ne retient pas l'appareil.
- La non-observation de ces instructions peut entraîner la mort ou causer de graves brûlures à des enfants ou des adultes.

Consultez les autres instructions d'installation.

No de pièce – THERMADOR	Qtée	Description
415078	4	Vis Phillips no 10 x 1-½ po (38,1 mm)
647936	1	Support anti-bascule, installation au plancher

Informations importantes concernant l'installation

- La patte antibascule peut être fixée à une armoire en bois massif ayant une paroi d'une épaisseur minimum de 19 mm (3/4").
- Selon l'épaisseur du mur ou du plancher, il peut être nécessaire d'utiliser des vis plus longues, disponibles chez votre quincaillier.
- Au moins deux (2) vis de montage de la patte doivent être fixées sur le bois massif ou le métal.
- Utilisez des ancrages appropriés pour monter la patte antibascule sur un matériau autre que le bois dur ou le métal.

La jambe cuisinière va glisser dans la fente de support antibasculément après l'installation.

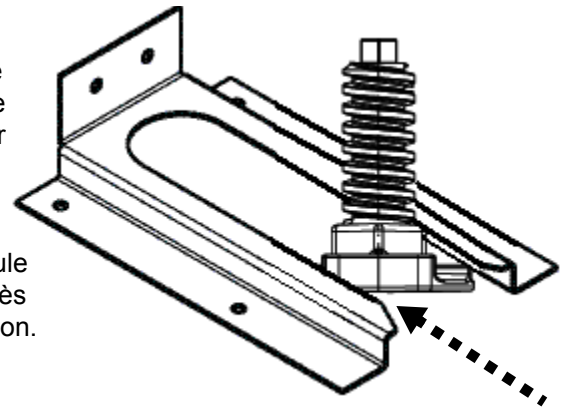


Figure 8 : Patte antibascule

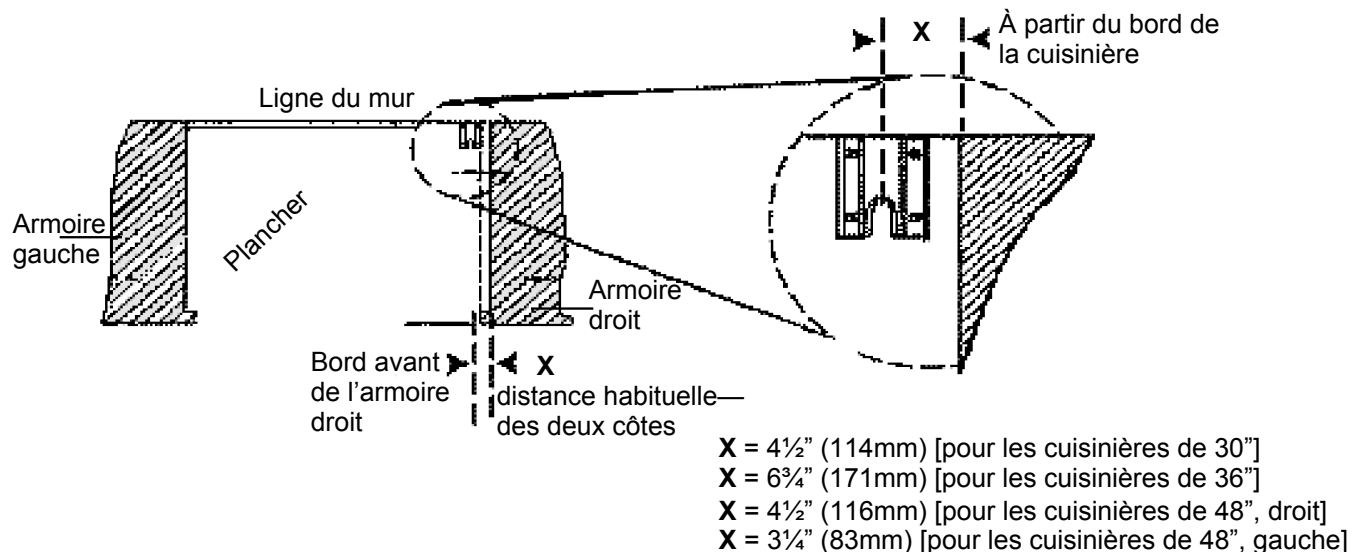


Figure 9 : Mise en place de la patte antibascule (vue du haut)

- Préparez les trous des emplacements de fixation tel qu'indiqué ci-dessous :
 - Pour les murs, montants de mur ou planchers en bois massif ou en métal, percez des trous de guidage de 3,2 mm (1/8").
 - Pour les murs ou les sols de type préfabriqué, carton-plâtre ou autres matériaux mous, percez des trous de 4,8 mm (3/16") à une profondeur minimum de 4,45 cm (1 3/4") puis enfoncez les ancrages en plastique dans tous les trous à l'aide d'un marteau.
 - Pour les murs ou les sols en béton ou en blocs en béton, percez des trous de 4,8 mm (3/16") à une profondeur minimum de 4,45 cm (1 3/4"), puis enfoncez les ancrages à béton dans les trous à l'aide d'un marteau.
 - Pour les murs ou les sols revêtus de carrelage, percez des trous de 4,8 mm (3/16") de la profondeur du carrelage puis percez derrière le carrelage comme indiqué ci-dessus.
 - Si la cuisinière doit être ultérieurement placée à un nouvel endroit, le dispositif antibascule sera enlevé et réinstallé
- ### Montage de la patte antibascule
1. Placez la patte sur l'emplacement comme indiqué à la Figure 9 (la patte peut être utilisée dans un des coins de l'installation).
 2. Fixez-la au plancher ou au montant de mur.
 3. Lorsque la cuisinière est installée, le pied réglable se glissera sous la patte.

Étape 5 : Exigences de l'alimentation en gaz et raccordement

Vérifiez le type de gaz utilisé à l'endroit où la cuisinière est installée. **Celle-ci sont préparée à l'usine avant expédition pour être alimentée seulement par du gaz naturel ou du gaz propane. La cuisinière doit correspondre au type de gaz utilisé sur le site. La cuisinière N'EST PAS convertible entre les différents types de gaz.**

En cas d'installation de l'appareil à haute altitude, jusqu'à 10 100 pi (3078 m) d'altitude au dessus du niveau de la mer, veuillez consulter la compagnie locale de gaz pour connaître les dimensions correctes des orifices et autres réglages nécessaires permettant une bonne combustion du gaz à l'altitude indiquée.



MISE EN GARDE

Si l'appareil est alimenté par du gaz propane, le réservoir de gaz propane doit être équipé de son propre détendeur en sus du détendeur fourni avec la cuisinière. La pression du gaz à l'entrée du détendeur de la cuisinière ne doit pas dépasser 34,9 mb (14 po, C.E.).

Exigences pour le gaz naturel :

Raccord d'entrée :	1/2" NPT interne (tuyau flexible 19,1mm (3/4") diamètre min.)
Pression d'alimentation :	6 à 14 po de colonne d'eau (14.9 à 34.9 mb)
Pression du collecteur :	12,5 mb (5") C.E.

Exigences pour le gaz propane :

Raccord d'entrée :	1/2" NPT interne (tuyau flexible 19,1mm (3/4") diamètre min.)
Pression d'alimentation :	11 à 14 po de colonne d'eau. (27,4 à 34,9 mb)
Pression du collecteur :	10" po de colonne d'eau (24.9 mb)



AVERTISSEMENT

Le tuyau de gaz ne doit pas entrer en contact avec des composantes situées à l'intérieur du couvercle arrière de la cuisinière.

Raccordement

- Un robinet manuel d'arrêt de gaz doit être installé à l'extérieur de l'appareil, à un endroit accessible par le devant, pour pouvoir couper l'alimentation en gaz.** Le tuyau d'arrivée de gaz ne doit pas dépasser à l'arrière de l'appareil. Assurez-vous que le robinet d'arrêt est fermé avant de raccorder l'appareil.
 - La cuisinière est fournie avec un régulateur de pression non amovible, qui a été monté à l'intérieur de manière permanente.
- Utilisez un raccord à gaz souple de 3/4" entre l'alimentation en gaz et le tuyau d'arrivée de gaz de l'appareil. Le tuyau d'arrivée de gaz de toutes les cuisinières est situé en bas à droite. (Voir *Figure 10* et *Figure 11*). Le tuyau d'arrivée de gaz de l'appareil est de type NPT 1/2".
 - Prenez garde au tuyau flexible de 19,1 mm (3/4 po) dans les coudes, vous pourriez vous pincer. La longueur suggérée est de 48 po. Vérifiez les codes locaux concernant les exigences *Figure 10*.
 - Le branchement à l'arrivée de gaz doit être effectué par un technicien compétent, conformément à la réglementation locale. S'il n'y a pas de codes locaux, l'installation doit être conforme à la norme américaine en vigueur sur les gaz combustibles ANSI Z223.1/ NFPA54 dernière édition, ou à la norme canadienne.
- Utilisez toujours un scellant à tuyau ou du ruban Teflon® sur les filets de tuyaux et prenez garde de ne pas serrer excessivement les raccords en y appliquant une force excessive.
- Les tests de fuite de l'appareil seront toujours réalisés conformément aux instructions du fabricant.
 - Ouvrez le gaz et assurez-vous qu'il n'y a pas de fuites à l'aide d'une solution savonneuse. N'utilisez pas de flamme pour faire cette vérification.
 - Des bulles indiquent la présence d'une fuite. Réparé toute fuite immédiatement après les avoir repérées.



AVERTISSEMENT

N'utilisez pas de flamme pour vérifier les fuites de gaz.



ATTENTION:

L'appareil doit être isolé du système de tuyauterie d'alimentation à gaz. Pour ce faire, fermez la soupape d'arrêt manuelle individuelle pendant le test de pression du système de canalisation d'alimentation en gaz (tests de pression égale ou inférieure à 1/2 psig, 3,5 kPa).

L'appareil et sa soupape d'arrêt individuelle doivent être débranchés du système de canalisation d'alimentation en gaz pendant toute la durée du test de pression du système (tests de pression excédant 1/2 psig 3,5 kPa). Au moment de vérifier la pression de gaz du collecteur, la pression d'entrée au régulateur doit être d'au moins 6 po, C.E. (14,9 mB) pour le gaz naturel ou 11 po, C.E. (27,4 mB) pour le propane.

N'essayez pas d'ajuster du régulateur le pression.

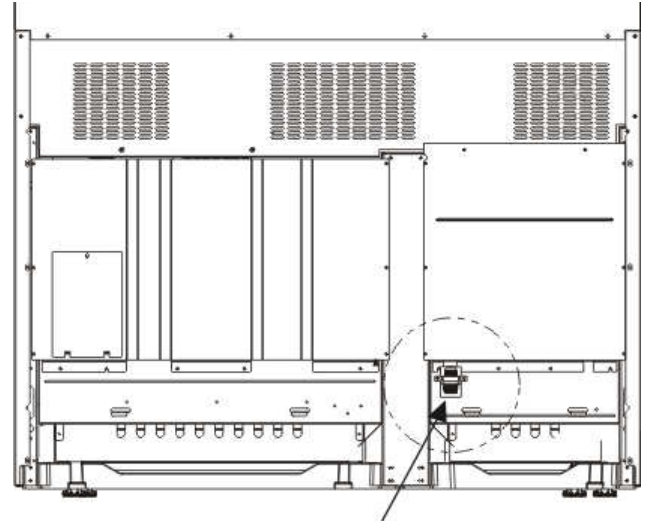


Figure 11 : Emplacement du tuyau d'arrivée de gaz des cuisinières de 48 po

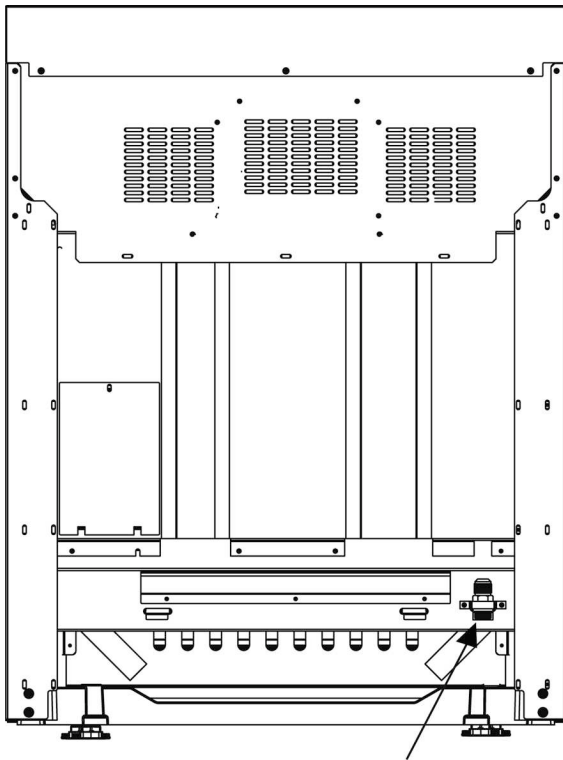


Figure 10 : Emplacement du tuyau d'arrivée de gaz

Étape 6 : Exigences pour l'alimentation électrique, le branchement et la mise à la terre

- Avant d'effectuer l'entretien de l'appareil, débranchez toujours le cordon d'alimentation électrique de la prise murale. Verrouillez le panneau de service pour empêcher la mise en circuit accidentelle.

Tableau B : Exigences pour les circuits d'alimentation électrique

MODÈLE	TENSION	INTENSITÉ DU CIRCUIT	FRÉQUENCE	PHASE
30"	120 VCA	10 A	60 Hz.	Monophasé
36"	120 VCA	10 A	60 Hz.	Monophasé
36 po avec grille	120 VCA	20 A	60 Hz.	Monophasé
48 po avec grille	120 VCA	20 A	60 Hz.	Monophasé

- Pour ces modèles de cuisinières à gaz, un fil d'alimentation neutre doit être installé à partir de la source d'électricité (disjoncteur/panneau de fusibles), car certains éléments de la cuisinière, dont le module de production d'étincelle pour les brûleurs de la table de cuisson, fonctionnent de manière sûre et adéquate sur du 120 VCA.



AVERTISSEMENT:

Une mauvaise alimentation électrique de 120/240 VAC entraînera des dysfonctionnements, endommagera la cuisinière et pourrait présenter des risques d'électrocution.

- Si le circuit électrique ne respecte pas les conditions nécessaires l'installateur ou l'utilisateur est responsable et tenu de faire faire une installation correcte et conforme à la réglementation locale en vigueur par un électricien qualifié. S'il n'y a pas de réglementation locale, le branchement électrique sera conforme au Code national de l'électricité.

- La mise à la terre doit être conforme à l'ensemble de la réglementation applicable. Sinon, la norme américaine d'électricité ANSI/NFPA N° 70 en vigueur ou la norme canadienne sera appliquée.
- Les schémas de câblage électrique à l'intention du technicien qualifié se trouvent dans la plaque d'habillage de l'appareil.
- Avant de brancher un cordon électrique, assurez-vous que toutes les commandes sont en position arrêt.
- Pour les appareils dotés d'un cordon et d'une fiche, ne coupez pas ou n'enlevez pas la broche de mise à la terre. Branchez sur une prise mise à la terre correspondante pour éviter toute décharge électrique. En cas de doute concernant la mise à la terre adéquate de la prise, le consommateur doit se renseigner auprès d'un électricien qualifié.
- Installateur : Indiquer au propriétaire l'emplacement du coupe-circuit ou du fusible. Notez l'emplacement à des fins de référence.

Important :

Un port d'entrée électrique de 20 A est requis pour le cuisinière avec grille électrique.

Étape 7 : Installation du dossieret

Les méthodes d'installation varient selon les besoins. Avant de commencer, lisez attentivement ces instructions. Respectez tous les codes et règlements locaux.


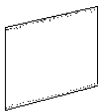


AVERTISSEMENT :

Pour réduire les risques d'incendie ou de blessures corporelles, assurez-vous que tout le matériel d'emballage a été retiré des accessoires avant de les utiliser.

Installation du dossieret de protection

(PA [30,36, 48] JBS)

Pièces incluses	Outils requis
 10 – vis de 1 po (25,4 mm)	Tournevis ou pointe Phillips
 1 – dossieret de protection	Ruban à mesurer
1 – guide d'installation	Crayon

- Le dossieret de protection doit être installé avant le montage d'une hotte, car le pavillon de la hotte couvrira les vis de montage supérieures du dossieret de protection.
- Pour protéger le dossieret de protection contre les égratignures, laissez la pellicule de protection qui le recouvre jusqu'à ce que vous ayez terminé l'installation.
- Si la cuisinière est déjà installée, consultez les instructions du fabricant pour le débranchement de l'alimentation en gaz et de l'alimentation électrique. Déplacez la cuisinière pour avoir accès au mur arrière.

- Localisez et marquez les endroits où passent les montants de cloison.
 - Les montants de cloison sont normalement installés à des intervalles de 16 po ou 24 po (406 mm ou 1372 mm).
- La hauteur de la hotte déterminera la hauteur de montage du côté supérieur du dossieret de protection. Le dossieret de protection devrait être installé de façon à ce que la partie inférieure de la hotte chevauche le dossieret de protection de 1-½ po (38 mm).
- Utilisez deux vis fournies pour fixer le haut et le bas du dossieret de protection dans chaque montant de cloison (voir *Figure 12*).
 - Dans certains cas, et compte tenu de la largeur variable des montants de cloison et des dossierets muraux, un seul montant de cloison peut se trouver à l'emplacement de l'installation.
- Enlevez la pellicule de protection en plastique.

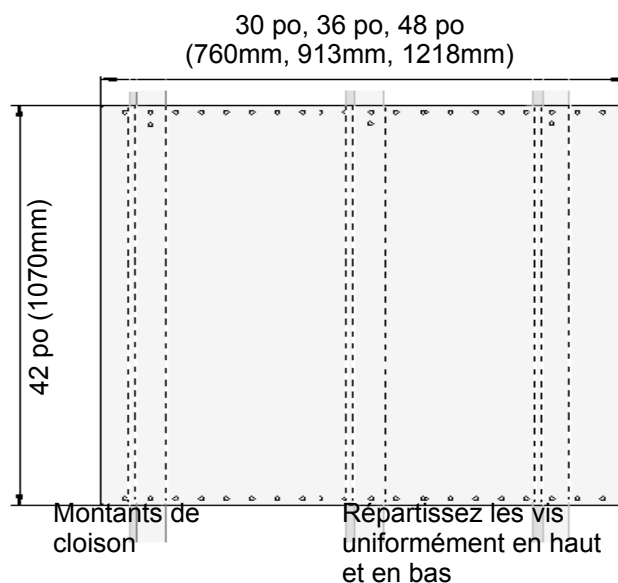


Figure 12 : Installation du dossieret de protection

Installation d'un dossieret de protection avec une étagère garde-chaud

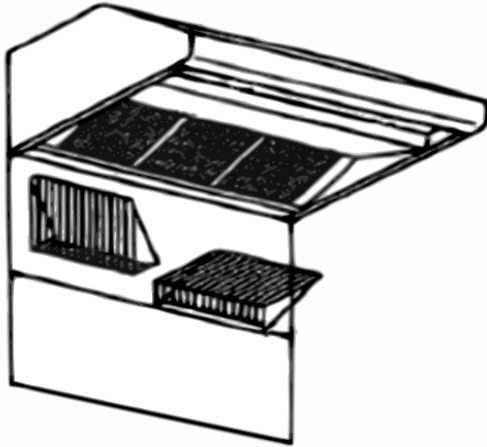


Figure 13 : Dossieret de protection avec étagère garde-chaud

- La hotte peut être montée en premier si le dossieret de protection est installé avec une étagère garde-chaud puisque cette étagère couvrira les vis de montage supérieures du dossieret de protection (Figure 13).
- Pour protéger le dossieret de protection contre les égratignures, laissez la pellicule de protection sur le dossieret de protection jusqu'à ce que vous en ayez terminé l'installation.
- Si la cuisinière est déjà installée, consultez les instructions du fabricant pour le débranchement de l'alimentation en gaz et de l'alimentation électrique. Déplacez la cuisinière pour avoir accès au mur arrière.

1. Localisez les montants de cloison.
2. Les montants de cloison sont normalement installés à des intervalles de 16 po ou 24 po (406 mm ou 1372 mm).
3. La hauteur de la hotte déterminera la hauteur de montage du côté supérieur du dossieret de protection. Le dossieret de protection devrait être installé de façon à ce que la partie arrière inférieure de l'étagère garde-chaud chevauche le dossieret de protection de 1-1/2 po (38 mm).
4. À l'endroit indiqué sur la Figure 14 fixez les supports inférieurs fournis avec l'étagère garde-chaud à travers le dossieret de protection, dans les montants de cloison.
 - Dans certains cas, et compte tenu de la largeur variable des montants de cloison et des dossierets muraux, un seul montant de cloison peut se trouver à l'emplacement de l'installation.
5. Enlevez la pellicule de protection en plastique.
6. Commencez l'installation de l'étagère garde-chaud.

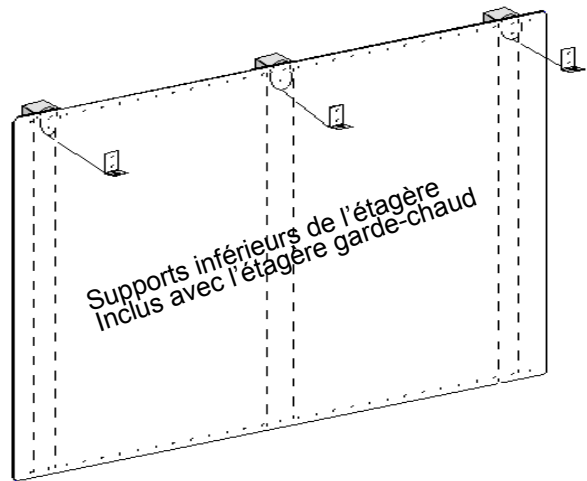


Figure 14 : Dossieret de protection avec étagère garde-chaud

Étagère garde-chaud

(KHS [30,36,42,48] QS)

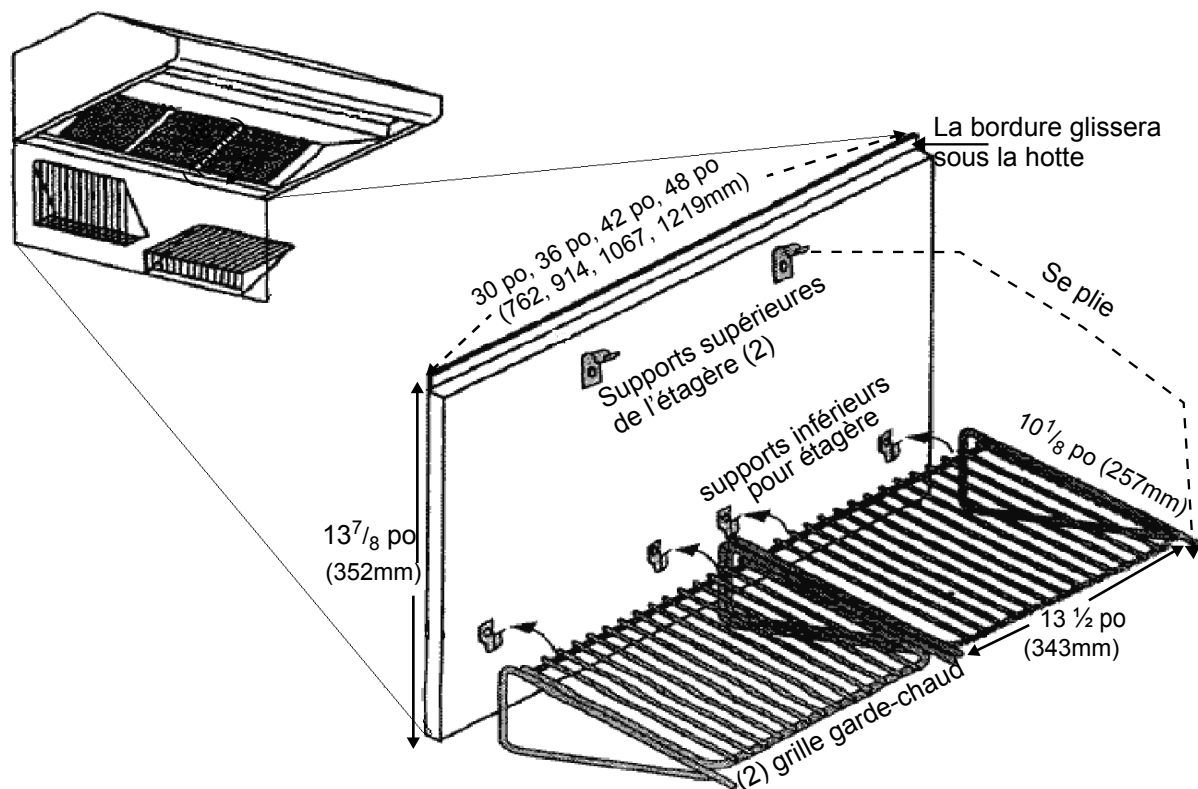


Figure 15 : Étagère garde-chaud

Articles inclus



10 – vis de 1 po (25,4 mm)
4 – vis de ½ po (12,7 mm)



4 – écrous en U



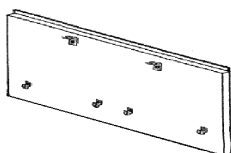
2 – supports supérieurs pour étagère



4 – supports inférieurs pour étagère



2 – grille garde-chaud



1 – dossier de protection pour étagère garde-chaud

1 – guide d'installation et gabarit

Outils requis

Ruban à mesurer

Tournevis ou mèche Phillips

Ruban à peinture

Couteau ou ciseaux

Crayon

1. Collez sur le mur, avec du ruban, les gabarits fournis avec l'étagère garde-chaud comme suit :
 - Collez la feuille intitulée Left Hand Template au coin inférieur gauche de la hotte en alignant la bordure inférieure de la hotte et la ligne supérieure du gabarit.
 - Collez la feuille intitulée Right Hand Template au coin inférieur droit de la hotte en alignant la bordure inférieure de la hotte et la ligne supérieure du gabarit.
 - Collez la feuille intitulée Installation Instruction de façon à ce que la flèche située en haut du gabarit soit alignée avec la ligne centrale de la hotte. Alignez la bordure inférieure de la hotte et la ligne supérieure du gabarit.
 - Les côtés gauche et droit du gabarit doivent correspondre à la longueur de l'étagère.
2. Installez les deux supports supérieurs pour étagère et les trois supports inférieurs pour étagère aux endroits indiqués sur les gabarits. Fixez-les en place à l'aide des (10) vis de 1 po (25,4 mm) fournies.
3. Découpez le gabarit autour des supports et enlevez-le du mur. Ne le jetez pas avant d'avoir terminé l'installation de l'étagère garde-chaud.
4. Insérez les quatre écrous en U dans les quatre supports inférieurs pour étagère.

5. Installez la plaque murale en plaçant les encoches des coins (dos de la plaque murale) au sommet des deux supports supérieurs pour étagère. Faites glisser l'ensemble de l'étagère vers le haut jusqu'à ce que la partie inférieure s'enclenche dans les quatre supports inférieurs (Figure 16).

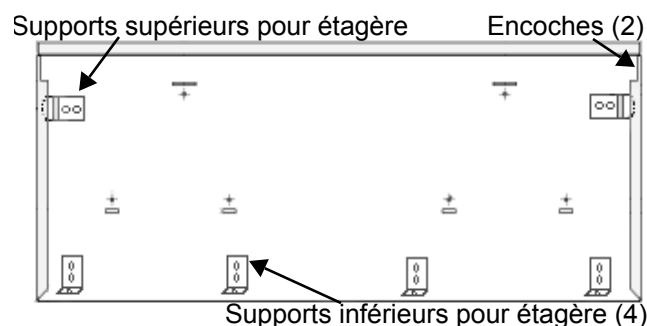


Figure 16 : Dos de la plaque murale

6. Assurez-vous que la partie supérieure de l'ensemble de l'étagère est bien fixée en place en tirant vers vous sur la partie supérieure de l'étagère.
7. Fixez la partie inférieure de l'ensemble de l'étagère à l'aide des (4) vis de ½ po (12,7 mm) fournies.

Pour une étagère garde-chaud de 48 po

Suivez les étapes 1-6 à cette différence près que les quatre supports inférieurs doivent être installés à des intervalles de 15 po (381 mm).

Installation du dossieret

Tableau C: Numéro de modèle de dossieret

Modèle	6 po Dossieret standard	9 po Dossieret bas	22 po Dossieret tablette à casserole	Garniture d'îlot encastrée
30 po	Inclus avec la cuisinière	N/D	PA30GSH	PA30GITH
36 po	N/D	PA36GLBH	PA36GSH	Inclus avec la cuisinière
48 po	N/D	PA48GLBH	PA48GSH	Inclus avec la cuisinière

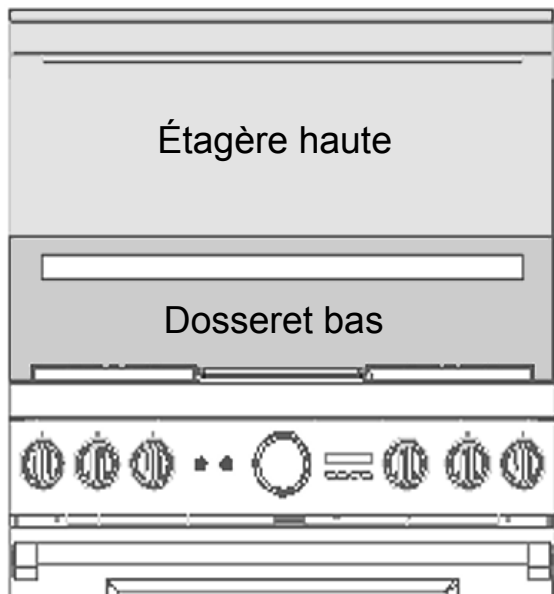


Figure 17 : Vue de face de l'étagère haute et du dossieret bas



ATTENTION :

La tablette haute peut devenir très chaude! Ne mettez PAS les articles suivants sur cette tablette:

- Du plastique ou des contenants pouvant fondre
- Des articles inflammables
- Des articles pesant plus de 30 lb (13,6 kg)



AVERTISSEMENT :

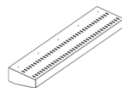
Vous pourriez vous pincer les doigts ou les mains et vous blesser gravement lors de l'installation de cet accessoire. Soyez très prudent et portez des gants protecteurs épais pour éviter toute coupure ou lacération des doigts ou des mains lorsque vous faites glisser le dossieret en place.

NOTE :

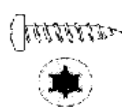
Si un dossieret de protection est utilisé avec le dossieret bas de l'appareil, installez d'abord le dossieret de protection, puis le dossieret bas avant de remettre la cuisinière à sa place.

Pièces fournies avec l'étagère haute

(1) panneau supérieur



(1) panneau frontal

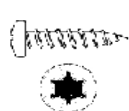
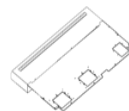


(13) vis Torx T-20 en inox
(16 ou 14) vis à pointe Torx T-20

(1) guide d'installation

Pièces fournies avec le dossieret bas

(1) panneau



(9 ou 8) vis Torx T-20 en inox
(8 ou 6) vis à pointe Torx T-20

(1) guide d'installation

Outils requis

Tournevis ou mèche Torx T-20

Gants de protection

Lors d'une installation contre une surface combustible, vous devez utiliser une étagère haute ou un dossier bas. Vous pouvez vous acheter séparément ces articles THERMADOR^{mc}. Consultez la page 6 pour obtenir plus de renseignements sur les espaces libres.

Lors de l'utilisation de la garniture d'îlot THERMADOR, il faut un espace minimal de 12 po (305 mm) entre la partie arrière de l'appareil et la surface combustible (voir *Figure 1* à la page 5). Les espaces libres jusqu'aux surfaces non combustibles ne sont pas précisés dans la norme ANSI Z21.1 et ne sont pas certifiés par la CSA. Tout espace libre de moins de 12 po (305 mm) doit être approuvé par les normes locales ou l'autorité locale ayant compétence.

Assemblage de l'étagère haute

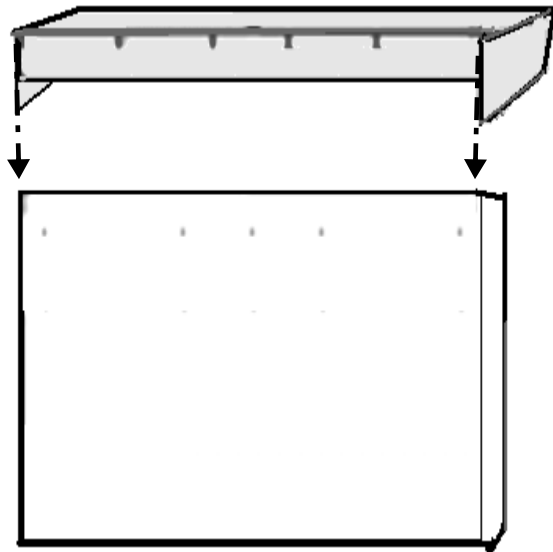


Figure 18 : Vue arrière du dossier de protection

1. Enlevez la pellicule de protection en plastique.
2. Glissez l'étagère dans les canaux de guidage du dossier.
3. Fixez les cinq vis en inox le long de la partie supérieure de l'étagère et 12 vis en inox dans la partie arrière de l'étagère.
4. Commencez l'installation du dossier.

Installation du dossier

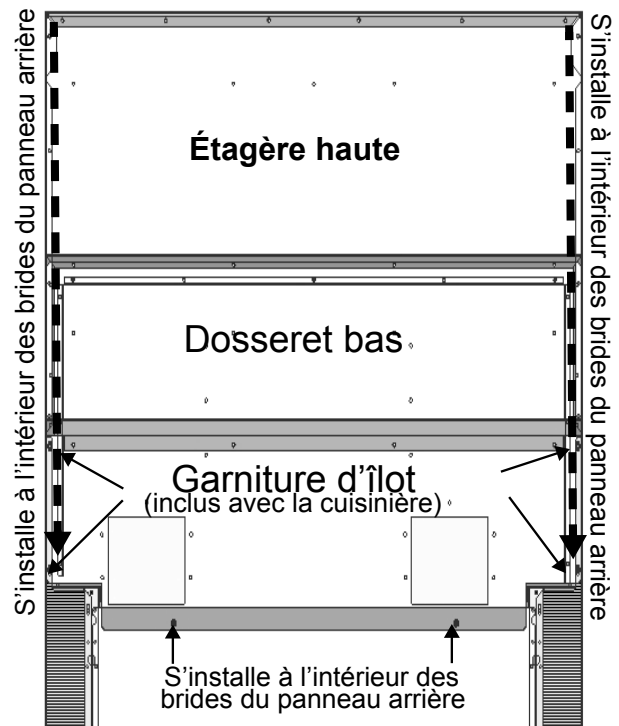


Figure 19 : Installation du dossier

1. Enlevez la pellicule de protection en plastique.
2. Selon le modèle, enlevez les trois ou quatre vis Torx T-20 en inox de la face de la garniture d'îlot fournie, les quatre vis à pointe qui retiennent la garniture aux panneaux latéraux et les deux ou quatre vis à pointe qui retiennent le panneau arrière en place. Soulevez la garniture pour la retirer totalement.
3. Alignez le panneau arrière du nouvel accessoire et les brides des coins arrière droit et gauche des panneaux latéraux de la cuisinière. Le dossier s'insère dans les canaux de guidage situés à l'arrière de la cuisinière.
4. Assurez-vous que la face du dossier est à l'extérieur des brides, vers l'avant de la cuisinière.
5. Remettez les vis en place dans les nouveaux panneaux (frontal et latéraux) du dossier.
6. Remettez les quatre vis en place pour fixer le panneau arrière du dossier aux panneaux latéraux, au dos de la cuisinière.

Étape 8 : Retrait et installation de la porte



MISE EN GARDE:

- FAITES ATTENTION LORSQUE VOUS ENLEVEZ LA PORTE. ELLE EST TRÈS LOURDE.
- Pour éviter tout risque de brûlure ou de décharge électrique, assurez-vous que le four est froid et que l'alimentation électrique est coupée avant d'enlever la porte du four.
- La porte est lourde et fragile. Utilisez vos deux mains pour l'enlever ou la remettre en place.
- Si vous ne saisissez pas la porte fermement et adéquatement, vous pourriez endommager l'appareil ou vous blesser.
- Lorsque la porte est enlevée, ne lâchez jamais la poignée pour essayer de fermer les charnières. Sans le poids de la porte, les puissants ressorts des charnières se refermeront avec beaucoup de force.

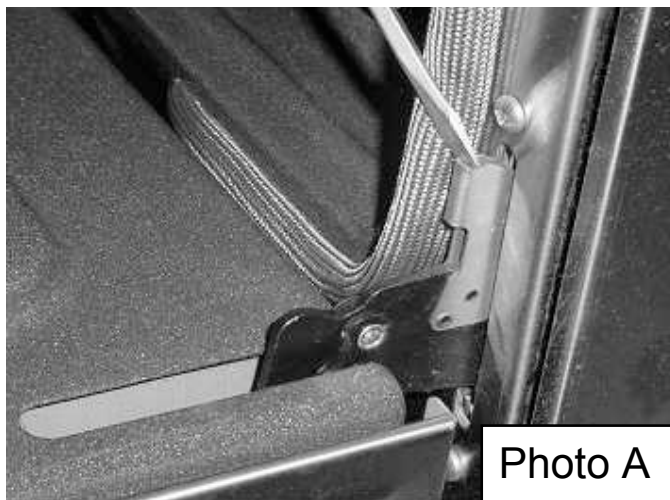


Photo A



Photo B

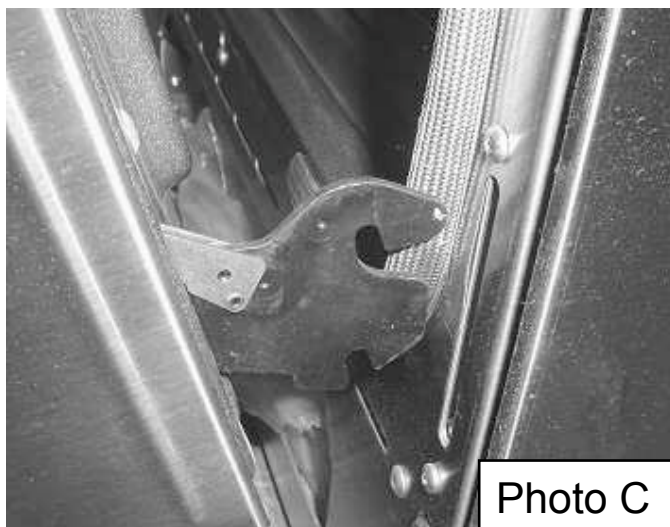


Photo C

Retrait de la porte:

1. Ouvrez complètement la porte et utilisez un tournevis pour faire sortir les griffes à charnières des fentes (Photo A).
2. Basculez les griffes vers le bas (voir Photo B).
3. Fermez la porte jusqu'à ce qu'elle bute contre les griffes à charnières, qui maintiennent la porte entrouverte (Figure 20).
4. Prenez la porte par les extrémités de la poignée et soulevez-la (les ressorts offriront une certaine résistance). Lorsque le devant de la porte sera suffisamment élevé pour que les crochets se dégagent des charnières, vous pourrez la retirer de l'appareil (Photo C). Placez la porte dans un endroit sûr et stable.

Réinstallation de la porte:

1. Inclinez légèrement la porte (*Figure 20*) et insérez les charnières dans les fentes. Les charnières s'amarreront solidement dans les fentes si la porte est placée correctement. Ne forcez pas la porte et ne l'inclinez pas sur les côtés.
 - Truc : Faites reposer la porte sur votre pied et utilisez votre jambe pour la stabiliser.
2. Ouvrez complètement la porte et utilisez un tournevis pour pousser les griffes à charnières jusqu'au fond des fentes (vers le four). Faites attention de ne pas égratigner la cuisinière durant ce processus.

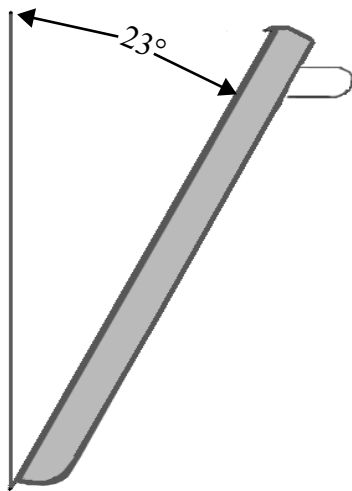


Figure 20 : Angle Approximatif Nécessaire Pour Retirer La Porte

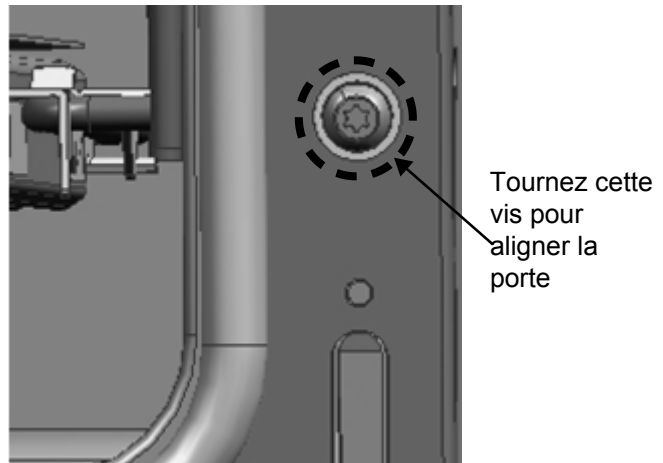


Figure 21: Vis d'ajustement des charnières

4. La cuisinière doit être de niveau pour l'alignement adéquat des portes du four. Consultez la section « *Étape 9 : Mise en place et nivelage de la cuisinière* » à la page 24.

Emplacement de la plaque de la fiche signalétique

La fiche signalétique, où sont écrits le numéro de modèle et le numéro de série, est accessible sous le côté avant de la cuisinière, lorsque la porte du four est ouverte ou enlevée.

Vérification de l'installation et du fonctionnement de la porte :

1. Ouvrez et fermez la porte lentement pour vous assurer qu'elle bouge normalement et qu'elle s'adapte bien à la cavité du four. Ne forcez pas pour l'ouvrir ou la fermer. Si la porte est bien installée, elle devrait être facile à ouvrir et être alignée avec le devant du four lorsqu'elle est en position fermée.
2. Si la porte ne fonctionne pas correctement, assurez-vous que les charnières sont bien appuyées dans les fentes et que les griffes à charnières sont bien installées au fond des fentes.
3. Si la porte ou la poignée semble légèrement inclinée d'un côté ou de l'autre, vous pouvez ajuster l'inclinaison en vissant ou dévissant à l'aide d'un grand tournevis Torx T-20 la vis Torx de la charnière, située directement au-dessus de la fente de la charnière. Tournez la vis jusqu'à ce que la porte soit correctement alignée (*Figure 21*).

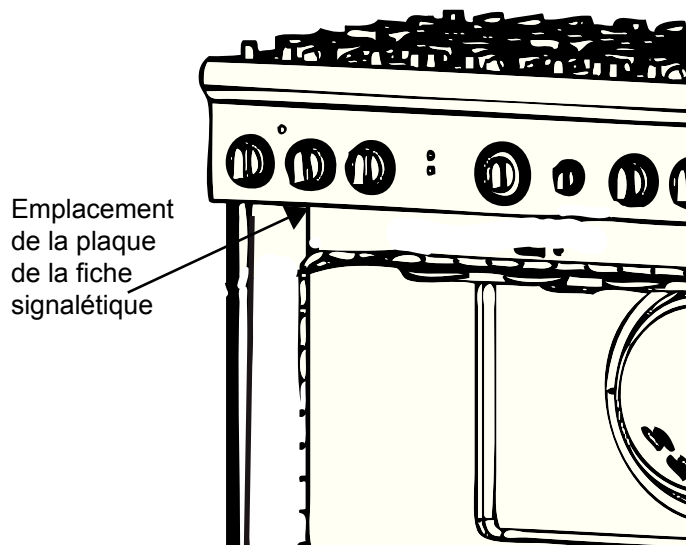


Figure 22 : Emplacement de la plaque de la fiche signalétique

Étape 9 : Mise en place et nivelage de la cuisinière



MISE EN GARDE:

Les côtés supérieurs des panneaux latéraux de la cuisinière doivent être à la même hauteur ou plus haut que le comptoir adjacent. Si la cuisinière se trouve à une hauteur inférieure que l'armoire adjacente lorsqu'elle fonctionne, les températures excessives qui se dégagent de la cuisinière pourraient endommager les armoires et le comptoir (voir *Figure 24*).

Pour fonctionner adéquatement, la cuisinière doit être nivelée. Cela est particulièrement important pour tous les appareils munis d'une plaque chauffante. Pour un rendement optimal, vous devriez vous assurer que la cavité du four est également nivelée.

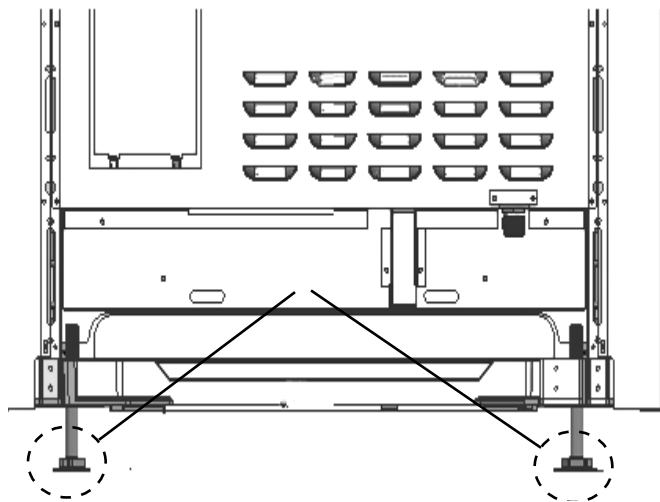


Figure 23 : Emplacements des roulettes

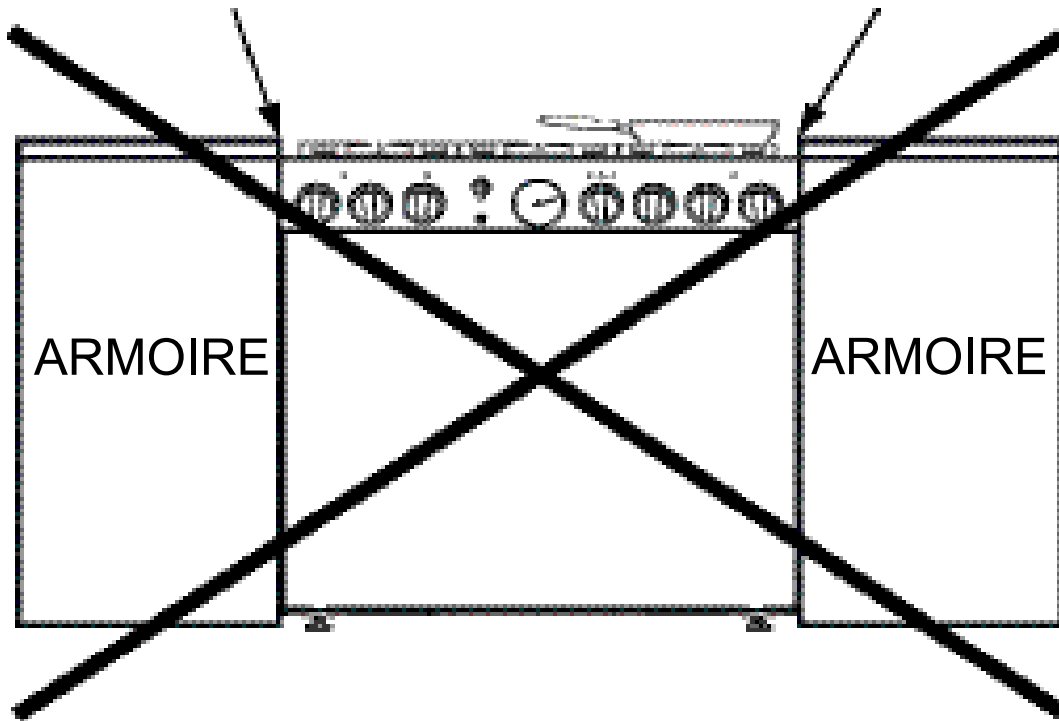
Note :

Les présentes instructions tiennent pour acquis que le comptoir adjacent à la cuisinière est nivelé convenablement.

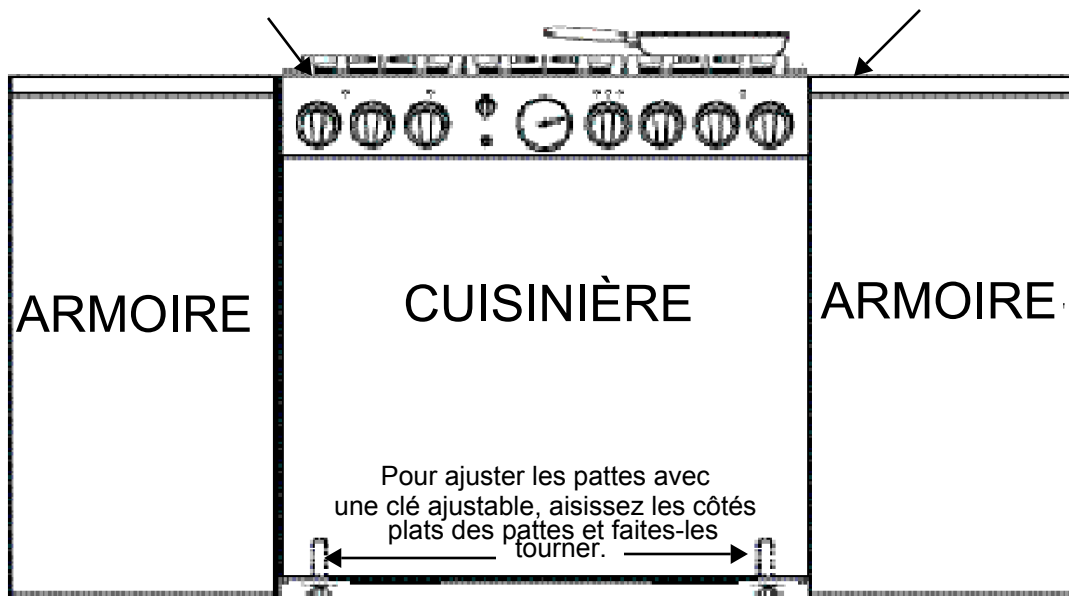
1. La cuisinière possède quatre pattes ajustables qui sont filetées dans la structure de la base moulée en aluminium. Pour niveler la cuisinière, il suffit de tourner les pattes avec une clé ajustable de 12 po (305 mm) les côtés plats de chaque patte.
 - Il est recommandé de mesurer la hauteur du comptoir avec un ruban à mesurer et d'ajouter 1/16 po à 1/8 po (2-3 mm) de plus, puis d'ajuster les pattes avant de remettre la cuisinière à son emplacement définitif.
2. L'ajustement de la hauteur devrait se faire peu à peu, en alternant entre chacune des quatre pattes jusqu'à ce que les côtés supérieurs des panneaux latéraux de la cuisinière arrivent sensiblement à la même hauteur que le comptoir.
 - En faisant tourner le pied élévateur avant droit dans le sens antihoraire, vous abaissez le côté droit de la porte. En faisant tourner le pied élévateur avant gauche, vous obtiendrez l'effet contraire.
 - En faisant tourner le pied élévateur avant central (modèles de 48 po seulement) dans le sens horaire, vous élèverez le côté gauche de la grande porte et le côté droit de la petite porte. En faisant tourner le pied élévateur avant central dans le sens antihoraire, vous obtiendrez l'effet contraire.
3. L'ajustement final des deux pattes arrière doit se faire avant d'installer la cuisinière à son emplacement définitif, entre les armoires.
4. Lorsque la cuisinière se trouve à son emplacement définitif, l'ajustement de la hauteur finale et l'alignement avec le comptoir se font en ajustant les deux pattes avant.



ATTENTION! N'utilisez pas la cuisinière si les panneaux latéraux sont plus bas que les armoires adjacentes. Les températures excessives du four pourraient endommager les armoires et le comptoir.



CORRECT! – Les pattes devraient être ajustées de façon à ce que les côtés de la cuisinière soient à la même hauteur ou plus haut que le comptoir adjacent.



NOTE :

Les présentes instructions tiennent pour acquis que le comptoir adjacent à la cuisinière est nivelé convenablement.

Figure 24 : Réglage de la hauteur de la cuisinière

Réglage de l'angle du gril (certains modèles)

Si la cuisinière est dotée d'un gril électrique, vérifiez le réglage du cadre en versant 2 cuillères à soupe d'eau sur la surface. L'eau devrait glisser lentement vers le bac à graisse. Si ce n'est pas le cas, corrigez l'angle à l'aide des deux vis situées à l'arrière du cadre. Commencez en tournant les vis d'un quart de tour dans le sens antihoraire. Tout réglage ultérieur devrait être fait à l'aide de quarts de tour jusqu'à ce que l'eau glisse dans le bac à graisse.

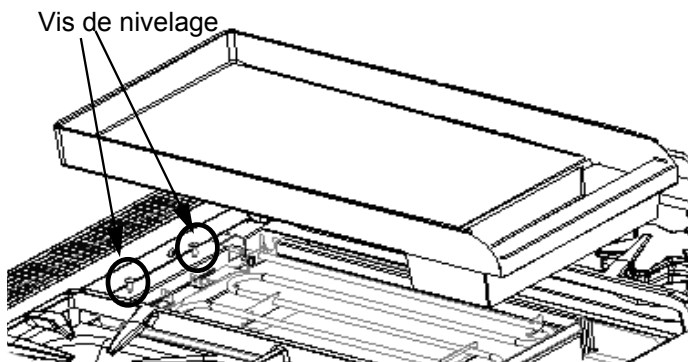


Figure 25 : Vis de nivelage de la plaque chauffante



AVERTISSEMENT :

Assurez-vous que les chapeaux des brûleurs reposent correctement sur les bases des brûleurs de la surface de cuisson de la cuisinière.

Ajustement du panneau de seuil (plinthe)

Pour ajuster le panneau de seuil (plinthe), faites comme suit :

1. Enlevez les vis du panneau de seuil à l'aide d'un tournevis Torx T-20
2. Poussez légèrement le panneau vers le haut pour libérer les languettes en aluminium de la base moulée.
3. Remplacez le panneau à l'une des cinq positions de trou de vis, comme illustré sur la *Figure 25*. Réinstallez les vis Torx.
4. Refaites la même chose de l'autre côté en veillant à ce que le panneau soit de niveau.
 - Le panneau de seuil (plinthe) de la cuisinière doit se trouver au moins à 0,5 po (12,7 mm) au-dessus du sol.

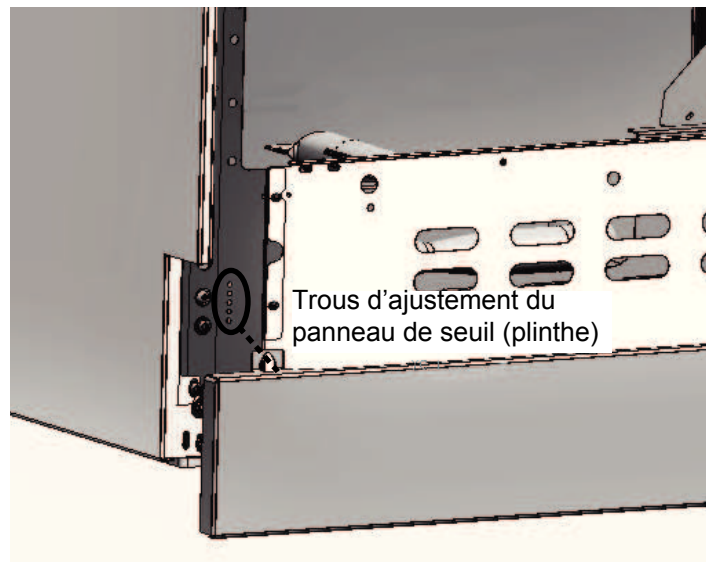


Figure 26 : Ajustement du panneau de seuil (plinthe)

Étape 10 : Test et réglage des brûleurs

Installez tous les éléments libres, comme les capuchons et les grilles des brûleurs, ayant été retirés précédemment. Assurez-vous que les capuchons des brûleurs sont adéquatement placés sur les bases des brûleurs. Avant de vérifier le fonctionnement de l'appareil, assurez-vous qu'aucune fuite n'émane de l'appareil et de la soupape de gaz, assurez-vous que l'appareil est branché à l'alimentation électrique. Ouvrez la soupape d'arrêt de gaz.

Vérifiez les brûleurs de surface

Vérifiez la fonction d'allumage des brûleurs. Choisissez un bouton de brûleur. Poussez et tournez dans le sens antihoraire à HI. Le module allumeur/étincelle produit un déclic. Une fois l'air purgé de la canalisation d'alimentation, le brûleur devrait s'allumer en moins de 4 secondes.

Vérifiez la flamme. Tournez le bouton à HI. Voir *Figure 27* pour les caractéristiques de flamme appropriées.

Si un des brûleurs de surface continue de brûler ou qu'il est complètement jaune, vérifiez si le capuchon est positionné adéquatement sur la base du brûleur, puis essayez de nouveau. Si les caractéristiques de flamme ne s'améliorent pas, communiquez avec Thermador.

Vérifiez la flamme. Réglage bas. Tournez le bouton à SIM. Vérifiez si la flamme enveloppe complètement le brûleur. C'est ce qu'on appelle l'enveloppement. Il doit y avoir une flamme à chaque port du brûleur et il ne doit pas y avoir d'intervalle d'air entre la flamme et le brûleur. Si les brûleurs ne sont pas enveloppés, communiquez avec Thermador.

Les 2 brûleurs de surface du côté gauche sont dotés de la fonction XLO, faisant effectuer un cycle marche/arrêt à la flamme lorsque le bouton est réglé à XLO. Cela est normal.

Répétez l'allumage et la vérification de la flamme pour chaque brûleur de surface.

LORSQUE LA FLAMME EST ADÉQUATEMENT RÉGLÉE:

- Il doit y avoir une flamme à chaque port du brûleur.
- Il ne doit pas y avoir d'intervalle d'air entre la flamme et le port du brûleur.

Vérifier les brûleurs du four

Enlevez le couvercle du fond du four. Enlevez les 4 vis sur les côtés et les 2 à l'arrière, puis faites glisser le couvercle vers l'avant en le soulevant pour dégager la plaque protectrice en angle du fond du couvercle.

Remarque :

l'obturateur d'air pour le brûleur de cuisson est réglé en usine en position complètement ouverte dans toute condition et ne requiert aucun réglage.

Vérifier l'allumage du brûleur de cuisson

Régler le four à **CUISSON (BAKE)** à 350 °F. Après 30 à 75 secondes, le brûleur s'allume et demeure allumé jusqu'à ce que la température de 350 °F soit atteinte, puis s'éteint. Ensuite, le brûleur fait un cycle marche/arrêt pour maintenir la température.

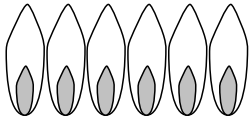
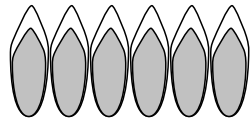
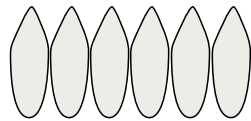
Flamme jaune : Réglage nécessaire.	
Pointe jaune sur cône extérieur : Normal pour gaz LP.	
Flamme bleue : Normal pour gaz naturel.	
<p>Si la flamme est complètement ou presque jaune, assurez-vous que le régulateur est réglé pour le combustible approprié. Après le réglage, vérifiez de nouveau.</p> <p>Des rayures de couleur orangée sont normales pendant la mise en marche initiale.</p> <p>Laissez l'appareil fonctionner de 4 à 5 minutes et évaluez de nouveau avant d'effectuer les réglages.</p>	

Figure 27 : Caractéristiques de flamme

Testez le système d'allumage du gril

Régler le mode de cuisson à BROIL. Le brûleur s'allumera après 30 à 75 secondes.

Le gril en céramique à infrarouge ne possède pas d'obturateur d'air, raison pour laquelle aucun réglage n'est nécessaire.

Remettez le couvercle inférieur. Faites glisser le couvercle en place et réinstallez le fond de la cavité du four.

Communiquer avec Thermador si :

1. Un brûleur ne s'allume pas.
2. La flamme du brûleur de cuisson au four ou au gril s'éteint avant que le four n'ait atteint la température désirée.
3. Si la flamme d'un brûleur reste jaune.

Liste de vérification pour l'installateur

Liste finale de vérification

- Les espaces libres spécifiés jusqu'à la surface des armoires sont respectés.
- Nivellement de l'appareil – avant/arrière – latéralement.
- Les chapeaux des brûleurs sont bien placés sur les bases des brûleurs.
- Tout le matériel d'emballage a été enlevé.
- La garniture d'îlot ou le dossier est installé conformément aux instructions.
- Le panneau de seuil est installé et les deux (2) vis sont bien fixées en place.
- La porte est bien installée face à la cavité du four. Réinstallez la porte au besoin.
- La plaque chauffante est bien positionnée et penche légèrement vers l'avant.
- Vérifiez la flamme de chaque brûleur. La flamme doit correspondre à la description de flamme de l'étape 10. La flamme peut tarder plusieurs minutes à brûler toutes les impuretés se trouvant dans les conduites de gaz.
- Vérifiez la fonction ExtraLow® afin de vous assurer qu'elle fonctionne et que la flamme se rallume tout autour du brûleur.

Alimentation en gaz

- Raccord : Filetage NPT de 1/2 po avec tuyau flexible diamètre minimum 19,1 mm (3/4 po) d'environ 4 pi de long selon les codes locaux.
- L'appareil est bien raccordé au type de gaz pour lequel il est certifié.
- Le robinet manuel d'arrêt de gaz a été installé à un endroit accessible (sans devoir déplacer la cuisinière).
- L'appareil a été testé et n'a pas de fuites de gaz.
- La pression d'alimentation en gaz est inférieure à 34,9 mb (14 po) C.E.
- Si la cuisinière fonctionne au gaz propane, assurez-vous que l'alimentation en propane est pourvue de son propre détendeur en plus du détendeur fourni avec l'appareil.

Électricité

- La prise de courant sur laquelle le cordon d'alimentation est branché est bien protégée contre les surtensions.
- Une mise à la terre adéquate a été installée.
- Une polarité adéquate existe pour la prise.

Fonctionnement

- Les cadrans des boutons sont bien centrés et les boutons tournent librement.
- Chaque brûleur s'allume correctement, seul ou avec d'autres brûleurs allumés.
- Les crochets charnières de porte(s) du(des) four(s) sont bien en place et se verrouillent correctement. La porte s'ouvre et se ferme correctement.
- Les grilles des brûleurs sont bien placées, nivelées et ne bougent pas.

Dépannage

Si la cuisinière mixte ne fonctionne pas correctement, veuillez suivre les étapes de dépannage suivantes :

- Assurez-vous que la cuisinière est branchée à une source d'alimentation électrique.
- Vérifiez la connexion électrique et l'approvisionnement en gaz afin de vous assurer que l'installation a été faite correctement.
- Assurez-vous que la vanne d'arrêt de l'approvisionnement en gaz est en position ouverte.
- Suivez la procédure de dépannage du Guide d'utilisation et d'entretien.
- Pour joindre un représentant du service d'entretien, consultez les coordonnées apparaissant à l'arrière du présent manuel. Veuillez prendre en note les numéros de modèle et de série du produit inscrits sur les plaques signalétiques.
- INSTALLATEUR : Écrivez les numéros de modèle et de série du produit dans le Guide d'utilisation et d'entretien. Laissez le Guide d'utilisation et d'entretien au propriétaire.

Nettoyage et protection des surfaces externes

Les surfaces en acier inoxydable se nettoient en passant un chiffon mouillé à l'eau savonneuse. Rincez à l'eau claire puis séchez avec un chiffon sec pour éviter les traces d'eau. Retirez les traces de doigts et les traînées avec un produit à vitres doux.

En cas de décoloration ou de tache persistante, consultez le Manuel d'utilisation et d'entretien.

Pour faire briller et protéger l'acier inoxydable, utilisez un produit nettoyant ou un poli comme Stainless Steel Magic.

NE laissez PAS les taches s'incruster.

N'utilisez PAS de tampons ni de brosses métalliques. De petits morceaux de métal risquent d'adhérer à la surface et de la faire rouiller.

NE laissez PAS les solutions salines, les désinfectants, l'eau de Javel ou les produits de nettoyage en contact avec l'acier inoxydable. Ces produits contiennent en général des produits chimiques susceptibles de l'endommager. Rincez-les à l'eau puis séchez avec un chiffon sec.

AVIS:

Les spécifications ne sont fournies qu'à des fins de planification. Consultez le fournisseur de votre comptoir de cuisine ainsi que les instructions d'installation avant de pratiquer une ouverture dans le comptoir. Consultez un entrepreneur en chauffage et en ventilation pour connaître les exigences particulières s'appliquant à votre cas. Pour obtenir des renseignements plus détaillés, consultez les instructions d'installation fournies avec votre produit ou écrivez à THERMADOR^{mc} en indiquant le numéro du modèle dans votre communication.

Nous nous réservons le droit de modifier les caractéristiques ou le design de nos produits sans préavis. Certains modèles sont approuvés pour une utilisation au Canada. THERMADOR n'est pas responsable des produits transportés des États-Unis pour une utilisation au Canada. Veuillez vous renseigner auprès de votre distributeur ou détaillant canadien.

Índice de materias

Instrucciones de Seguridad	1
Información importante de instalación	2
Paso 1: Requerimientos de ventilación	3
Paso 2: Preparación de gabinetes	4
Paso 3: Desempacar, mover y posicionar la estufa	9
Paso 4: Instalar el dispositivo antivolcadura	11
Paso 5: Requerimientos de gas y conexiones	13
Paso 6: Requerimientos eléctricos, conexión y puesta a tierra	15
Paso 7: Instalación de la consola trasera	16
Paso 8: Quitar y reinstalar la puerta	22
Paso 9: Colocar y nivelar la estufa	24
Paso 10: Pruebas y Ajustes de Quemador	27
Lista de chequeo del instalador	28
Limpieza y protección de las superficies exteriores	29

Este electrodoméstico de THERMADOR® está hecho
por BSH Home Appliances Corporation
1901 Main Street, Suite 600
Irvine, CA 92614

¿Preguntas?

1-800-735-4328

www.thermador.com

¡Esperamos oír de usted!

Instrucciones de Seguridad



Instrucciones Importantes De Seguridad

Lea Todas Las Instrucciones Antes De Continuar

Aprobado Para Todos Los Aparatos Residenciales

Únicamente Para Uso Residencial

IMPORTANTE: Guarde estas instrucciones para el inspector de la empresa proveedora de gas de su localidad.

INSTALADOR: Deje esas instrucciones de instalación con el aparato para el propietario.

PROPIETARIO: Guarde estas instrucciones para futuras referencias.



ADVERTENCIA:



Desconecte la corriente antes de la instalación. Antes de prender la corriente, asegúrese de que todos los controles estén en la posición OFF.



ADVERTENCIA:



Un niño o un adulto podrían volcar el aparato y perder la vida. Asegúrese de que el dispositivo antivuelco esté instalado adecuadamente y que su soporte retenga la pata del aparato al reinstalarlo en su sitio.

No utilice el aparato si el dispositivo antivuelco no está instalado. El hecho de no leer las instrucciones de este manual puede causar la muerte o graves quemaduras a niños y adultos.

Asegúrese de que el soporte antivuelco esté bien instalado y debidamente utilizado. Incline levemente la estufa por delante tirando de la parte posterior para asegurarse de que la pata del aparato esté bien enganchada en el soporte antivuelco y que el aparato no pueda volcar. La estufa no debería poder moverse más de una pulgada (2,5cm).

IMPORTANTE:

Los códigos locales pueden variar. La instalación, las conexiones eléctricas y la toma de tierra deben cumplir con todos los códigos aplicables.

Para instalaciones en Massachusetts:

1. La instalación debe realizarse por un contratista, un plomero o un técnico de gas cualificado o autorizado por el estado, la provincia o región donde se está instalando este aparato.
2. La válvula de cierre debe ser un grifo de gas en T.
3. El conducto flexible de gas no debe medir más de 36 pulg. (914 mm).



ADVERTENCIA:

No leer la información en este manual podría provocar un incendio o una explosión, y como resultado daños a la propiedad, lesiones o la muerte.

— No guarde o use materiales combustibles, gasolina u otros gases o líquidos inflamables cerca de este o cualquier otro aparato.

— QUÉ HACER EN CASO DE OLER A GAS

- No trate de encender ningún aparato.
- No toque ningún interruptor eléctrico.
- No use ningún teléfono en su casa.
- Llame de inmediato a su proveedor de gas desde el teléfono de algún vecino y siga las instrucciones de su proveedor de gas.
- Cuando no pueda localizar a su proveedor de gas, llame a los bomberos.

— Un instalador cualificado, una agencia de servicio autorizada o el proveedor de gas debe realizar la instalación y el servicio.

NOTA:

Esta estufa NO está diseñada para una instalación en casas rodantes prefabricadas o en remolques usados en parques recreativos.

NO instale esta estufa afuera.

Información importante de instalación

Verificación del tipo de GAS

Verifique el tipo de gas suministrado en el lugar. Asegúrese que el aparato esté conectado al tipo de gas para el cual está certificado. Todos los modelos están certificados para el uso con gas natural. La conversión del aparato para el uso con gas propano requiere de un kit de conversión.



ADVERTENCIA:

Para evitar un posible riesgo de quemaduras o fuego se debe instalar una consola trasera de protección diseñada específicamente para esta estufa antes de utilizarla.

IMPORTANTE:

Cuando se instala sobre una superficie combustible, se debe usar una consola trasera baja o un estante alto. Se debe comprar por separado una consola trasera baja o un estante alto THERMADOR®.

Cuando se utiliza el adorno de isla THERMADOR, hace falta un espacio libre trasero mínimo de 12 pulg. (305 mm) entre el aparato y la superficie combustible (vea la *Figura 1, Espacios libres para los armarios*). Los espacios libres para las materias no combustibles no forman parte de la norma ANSI Z21.1 y no están certificados por la CSA. Los códigos locales o la autoridad local competente deben aprobar los espacios libres de menos de 12 pulg. (305 mm).

Consulte "Tabla C: Número de modelo para los kits de los protectores traseros" para los modelos de consolas correctas que están diseñadas para esta estufa. Después de seleccionar la consola trasera correcta se debe instalar la estufa correctamente, usando los mínimos espacios libres a superficies combustibles especificadas en las instrucciones de instalación de gabinetes.

Verifique que el aparato sea el correcto para el tipo de gas. Consulte "*Paso 5: Requisitos de gas y conexiones*" en la *página 13* antes de seguir con la instalación.

Este aparato ha sido probado bajo los estándares ANSI Z21.1 para Aparatos de Cocina Domésticos (EEUU) y de acuerdo con la CAN 1.1-M81 Rangos Domésticos de Gas (Canadiense).

Es altamente recomendado que este aparato se instalado en conjunto con una **campana de extracción superior**

apropiada. (Vea "*Paso 1: Requisitos de ventilación*" en la *página 3*) Debido a la alta capacidad de calentamiento de esta unidad, se debe prestar particular atención al trabajo de instalación de la campana y del ducto para asegurar que cumpla con los códigos locales de construcción.

Consulte los códigos locales de construcción para el método apropiado de instalación del aparato. Los códigos locales pueden variar. La instalación, conexiones eléctricas y conexiones a tierra deben cumplir con los códigos aplicables. En la ausencia de códigos locales el aparato debe ser instalado de acuerdo al National Fuel Gas Code (Código Nacional de Gas Combustible) ANSI Z223.1/NFPA 54 vigente y al National Electrical Code (Código Nacional de Electricidad) ANSI/NFPA 70 vigente. En Canadá, la instalación debe ser conforme al 1-B149.1 and .2 – Installation Codes for Gas Burning Appliances (Códigos de Instalación para Unidades que Queman Gas) y/o códigos locales.

Suministro de gas:

Gas natural — 6 pulg. columna agua (14.9 mb) mín., 14 pulg. (34.9 mb) máximo

Gas propano — 11 pulg. columna agua (27.4 mb) mín., 14 pulg. (34.9 mb) máximo

Alimentación eléctrica:

(Vea *página 15* para las especificaciones.)



PRECAUCIÓN:

Cuando conecta el aparato a gas propano, asegúrese de que el tanque de gas propano venga con su propio regulador de alta presión además del regulador de presión que se incluye con la estufa. La máxima presión de gas de este aparato no debe exceder 14.0 pulgadas de columna de agua (34.9 mb) del tanque de gas propano al regulador de presión.



PRECAUCIÓN:

El aparato sirve para cocinar. Basado en consideraciones de seguridad, nunca debe usarlo para calentar una habitación.

Esta unidad cumple con uno o más de los siguientes Estándares:

- UL 858, La norma para la seguridad de estufas electrodomésticas
- UL 923, La norma para aparatos (hornos) de microondas
- UL 507, La norma para la seguridad de ventiladores eléctricos
- ANSI Z21.1, La norma americana nacional para aparatos domésticos de cocina que funcionan con gas
- CAN/CSA-C22.2 No. 113-M1984 Ventiladores
- CAN/CSA-C22.2 No. 61-M89 Estufas domésticas

Es responsabilidad del propietario y del instalador el determinar si aplican requerimientos y/o estándares adicionales a instalaciones específicas.

Debido a la alta temperatura de los quemadores de la cubierta, no es recomendado instalar un microondas con un sistema de ventilación arriba de la cubierta.

Herramientas requeridas	
(2) llaves de ½ pulg.	Broca de 1/8 pulg. (3,17 mm)
Broca de 3/16 pulg. (4,76 mm)	Llave de boca ajustable de 12 pulg.
Taladro eléctrico o de mano	Cinta métrica
Destornillador plano o estrella	Lápiz u otro marcador
Nivel	Plataforma de ruedas
Destornillador Torx T-20	Guantes de protección
Elementos no incluidos	
Anclajes para yeso-cartón u hormigón	Compuesto/cinta para conducto
Cuerda/cordel	Conducto flexible de ¾ pulg. (19 mm)
Prensacables	(2) adaptadores para brida, conformes a la norma NPT

Paso 1: Requisitos de ventilación

Recomendamos encarecidamente instalar una campana apropiada encima de la estufa para extraer el aire. No se debe utilizar una ventilación descendente. La tabla de abajo indica las campanas que se recomiendan con todas las estufas THERMADOR®.

AVISO:

La mayor parte de las estufas tienen componentes combustibles que se deben tener en cuenta al planificar la instalación.

No instale una combinación microondas / ventilador encima de la estufa, ya que estos tipos de aparatos no proporcionan la ventilación apropiada y no convienen para un uso con la estufa.

1. Seleccionar la campana y el ventilador:

- Para instalaciones en la pared, la anchura de la columna debe ser por lo menos igual a la anchura de la estufa. Donde el espacio lo permite, se puede instalar una campana más ancha que la superficie de la estufa para que la campana funcione mejor.
- Para instalaciones de tipo isla, la campana colgada debe ser por lo menos 3 pulgadas (76 mm) más ancha de cada lado que la superficie de la estufa.

2. Colocar la campana:

- Para eliminar mejor el humo, el borde inferior de la campana debe estar a una distancia mínima de 30 pulg. (762 mm) encima de la superficie de la estufa (vea la "Figura 1 en la página 5").
- Deje un espacio libre de un mínimo de 36 pulg. (914 mm) si la campana está hecha de materiales combustibles, como madera (vea la Figura 1).

3. Considere una fuente de aire de recambio:

- Debido al alto volumen de aire de ventilación requerido, se recomienda tener una fuente externa de aire. Esto es sumamente importante para hogares bien sellados y aislados.
- Debe consultar a un contratista cualificado en calefacción y ventilación.

IMPORTANTE:

Las campanas de ventilación y los ventiladores están diseñados para usarse con conductos sencillos de pared. Sin embargo, algunos códigos locales de construcción o inspectores de obras pueden requerir conductos dobles de pared. Consulte los códigos locales de construcción o con las agencias locales antes de comenzar para estar seguro de que la instalación de la campana y de los conductos cumple con los requisitos locales.

Ancho de Estufa	Configuración de Superficie de la Estufa	Pie cúbico por minuto (requisito mínimo)	Opciones de Ventilación
30"	4 quemadores	800 pi ³ /min	30" ó 36" Campana de Pared Pro 30" ó 36" Inserto personalizado con soplador opcional 42" Campana de Isla con soplador opcional
36"	4 quemadores con plancha	800 pi ³ /min	36" ó 42" Campana de Pared Pro 36" Inserto personalizado con soplador opcional
	6 quemadores	1100 pi ³ /min	42" ó 48" Campana de Isla con soplador opcional
48"	6 quemadores con plancha	1200 pi ³ /min	48" ó 54" Campana de Pared Pro** 48" Inserto personalizado con soplador opcional

NOTAS IMPORTANTES:

- Es recomendado que la campana de pared o de isla del THERMADOR Profesional[®] o insert personalizado es utilizado con Estufas THERMADOR Profesionales[®]. Como soluciones de ventilación para estas estufas se recomiendan las campanas de pared profesionales de la serie HPWB o los insertos profesionales hechos a la medida. Las campanas de pared profesionales de la serie PH son también una opción viable, sin embargo, la profundidad de 27" de la serie PH tal vez no sirve para todas las aplicaciones. Refiérase a www.thermador.com para una selección complete de opciones de Ventilación Profesionales, Sopladores, y Accesorios.
- Para estufas de gas de alta producción (60,000 BTU o mayores), el mínimo de uno (1) CFM de ventilación por cada 100 BTU es recomendado. Si la estufa tiene una plancha, agregue 150 CFM a la capacidad estimada del soplador. Capacidad adicional del soplador puede ser requerida para ductos largos.
- Para aplicaciones de isla, es recomendado que utilice un ancho de campana que exceda el ancho de la estufa por 6" (coincidiendo con la estufa por un mínimo de 3" en cada lado).
- **No todos los modelos de campanas de pared Pro de 48" pueden acomodar un ventilador de 1300 CFM.
- CFM = "pies cúbicos por minuto" (tasa de capacidad de soplador estándar).

Paso 2: Preparación de los armarios

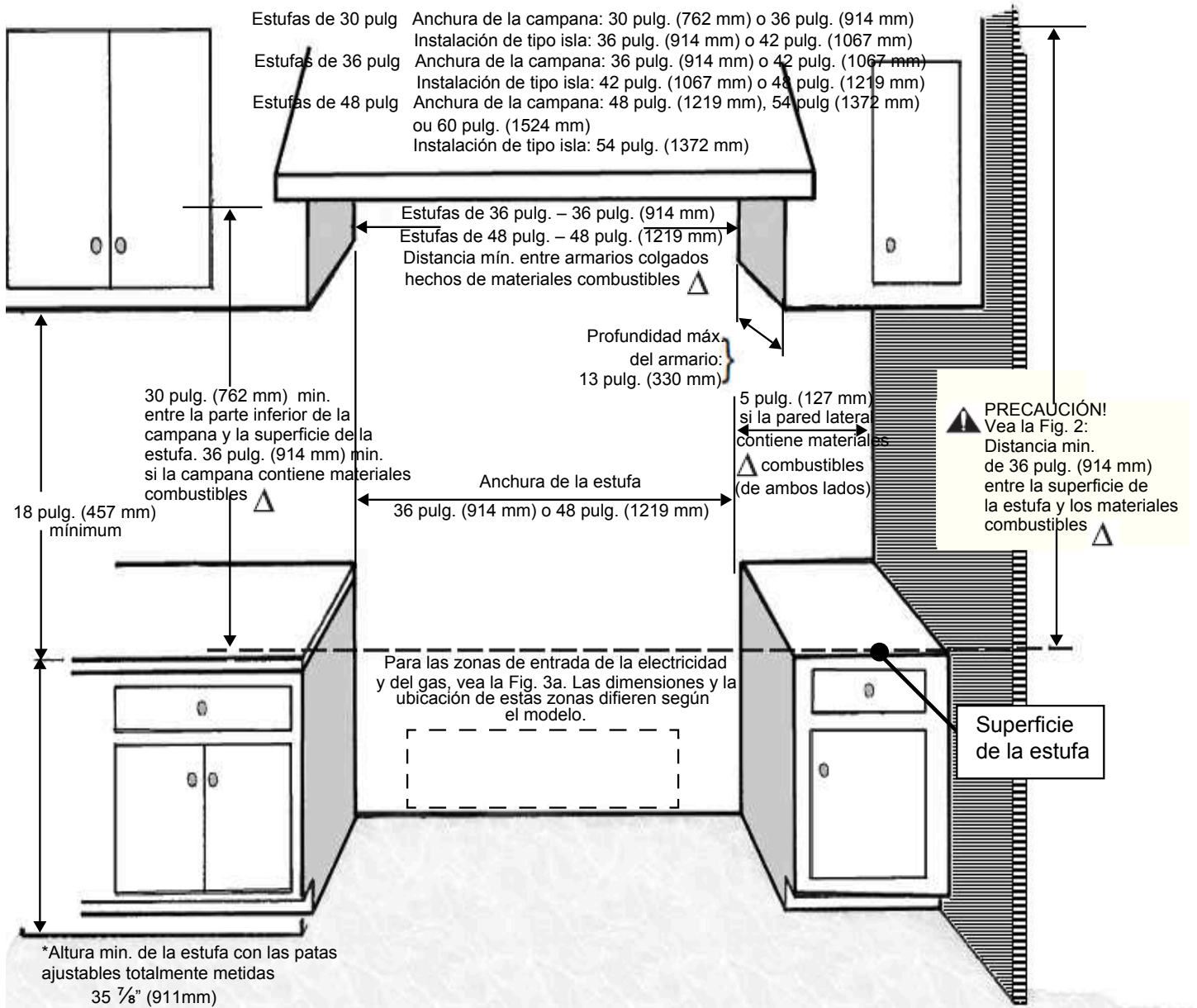
- La estufa es un aparato aislado e independiente. Si desea colocar el aparato junto a armarios, debe instalarla dejando los espacios libres que se muestran en la "Figura 1: Espacio libre para los armarios". Los mismos espacios libres se aplican a instalaciones tipo isla, excepto por los armarios colgados, que deben tener un espacio suficientemente ancho para aceptar la campana de isla acampanada (también indicado en la Figura 1).
 - El suministro de gas y la alimentación eléctrica deben estar dentro de la zona indicada en la Figura 3.
 - Se deben sellar todas las aberturas situadas en la pared detrás de la estufa y en el piso debajo de la estufa.
 - Cuando se instala sobre una superficie combustible, se debe usar una consola trasera baja o un estante alto. Se debe comprar por separado una consola trasera baja o un estante alto THERMADOR[®]. Vea el paso 8 para obtener información sobre la consola trasera, los kits y la instalación.
 - Cuando se utiliza el adorno de isla THERMADOR, hace falta un espacio libre trasero mínimo de 12 pulg. (305 mm) entre el aparato y la superficie combustible (vea la Figura 1, *Espacios libres para los armarios*). Los espacios libres para las materias no combustibles no forman parte de la norma ANSI Z21.1 y no están certificados por la CSA. Los códigos locales o la autoridad local competente deben aprobar los espacios libres de menos de 12 pulg. (305 mm).
 - Cuando la estufa se instala sobre una pared combustible, se requiere un espacio libre de un mínimo de 5 pulg. (127 mm) entre la estufa y la pared.
 - Siempre mantenga la zona alrededor del aparato limpia y no deje materiales combustibles, gasolina y otros gases y líquidos inflamables cerca del aparato.
 - No obstruya el flujo del aire de combustión y de ventilación del aparato.
 - La máxima profundidad de los armarios colgados de cualquier lado de la campana es de 13 pulg. (330 mm).
- Se necesita un espacio libre mínimo de 36 pulgadas (914 mm) entre la superficie de la estufa y la parte inferior de un armario no protegido. Se puede usar un espacio libre de 30 pulg. (762 mm) cuando el fondo de un armario de

madera o de metal esté protegido por un material ignífugo de un grosor mínimo de ¼ de pulgada (6,35 mm) cubierto por una lámina de acero 28 MSG, de acero inoxidable con un grosor de 0,015 pulgada (0,4 mm), de aluminio con un grosor de 0,024 pulgad (0,6 mm), o de cobre con un grosor de 0,020 pulgada (0,5 mm).

Los materiales ignífugos llevan la marca siguiente:
 UNDERWRITERS LABORATORIES INC. CLASSIFIED

MINERAL Y FIBER BOARDS SURFACE BURNING CHARACTERISTICS. Esta indicación está seguida por el índice de propagación de las llamas y del humo. Estas designaciones aparecen como "FHC". Los materiales que tienen un índice de propagación de llamas de "0" son ignífugos. Los códigos locales pueden permitir índices de propagación de las llamas diferentes. Incumbe al dueño y al instalador asegurarse de que la instalación se haga conforme a este índice.

Instalación de Espacio Libre

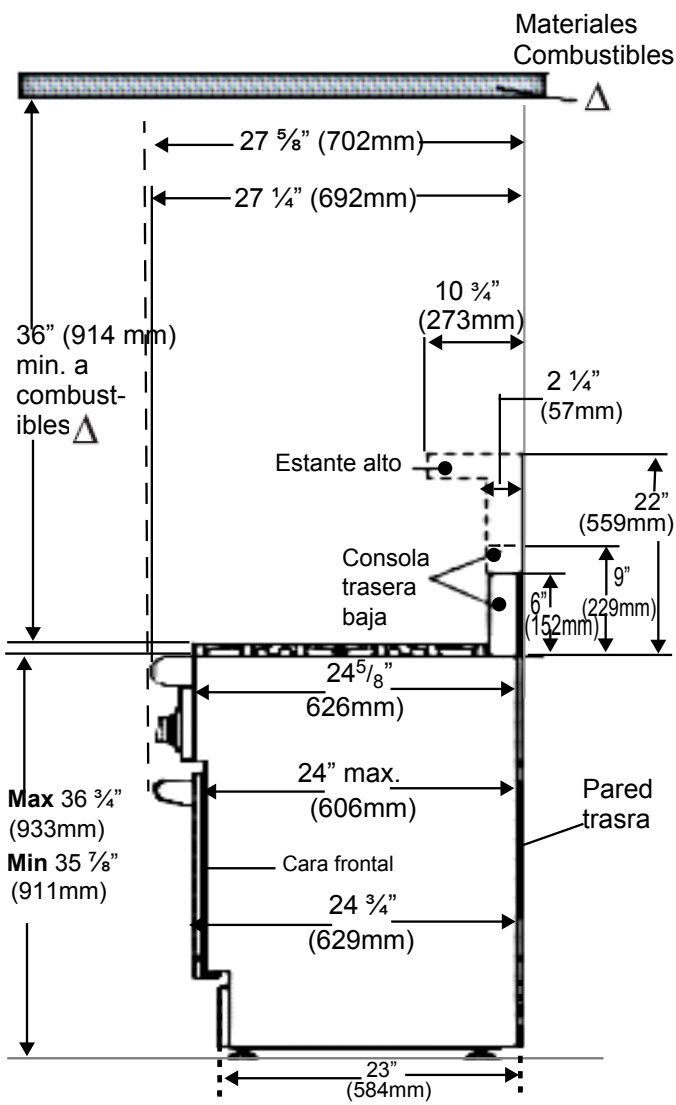


*Altura mín. de la estufa con las patas ajustables totalmente metidas 35 7/8" (911mm)

*Altura máx. de la estufa con las patas ajustables totalmente metidas 36 3/4" (933mm)

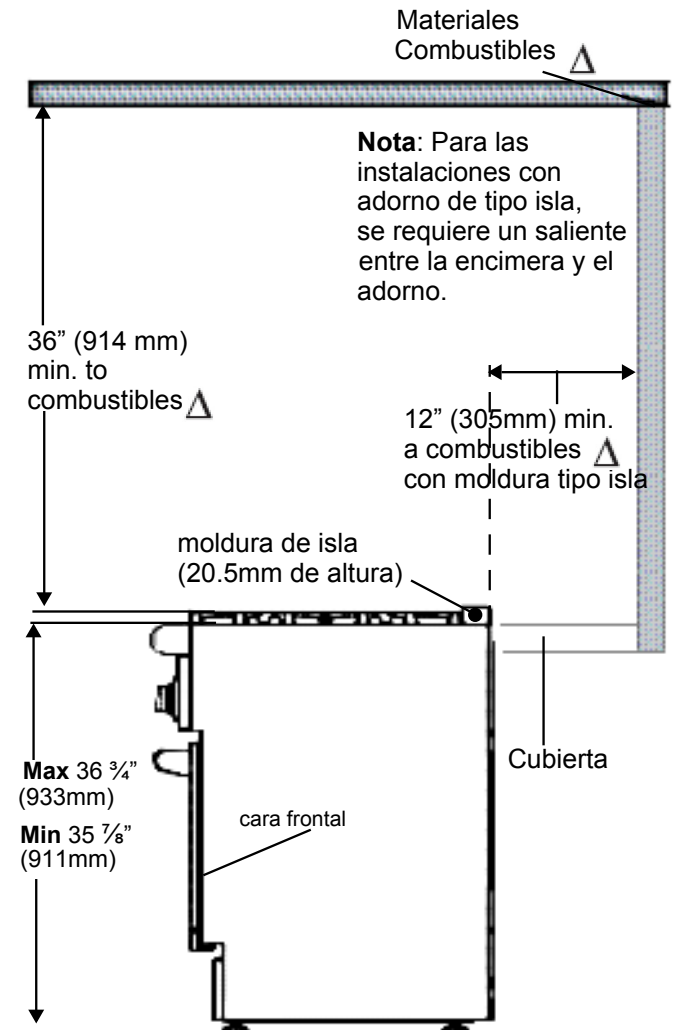
⚠ Tal como se define en el "Código Nacional de Gas Combustible" ANSI Z223.1, edición actual. Los espacios libres para las materias no combustibles no forman parte de la norma ANSI Z21.1 y no están certificados por la CSA. Los códigos locales o la autoridad local competente deben aprobar los espacios libres de menos de 12 pulg. (305 mm).
 *La altura de la estufa es ajustable. La superficie de la estufa debe estar a un nivel igual o superior al de la encimera.

Figura 1: Espacios libres de los gabinetes



Instalación con "consola de protección o "estante de ollas"

▲ Tal como se define en el "Código Nacional de Gas Combustible" ANSI Z223.1, edición actual. Los espacios libres para las materias no combustibles no forman parte de la norma ANSI Z21.1 y no están certificados por la CSA. Los códigos locales o la autoridad local competente deben aprobar los espacios libres de menos de 12 pulg. (305 mm).



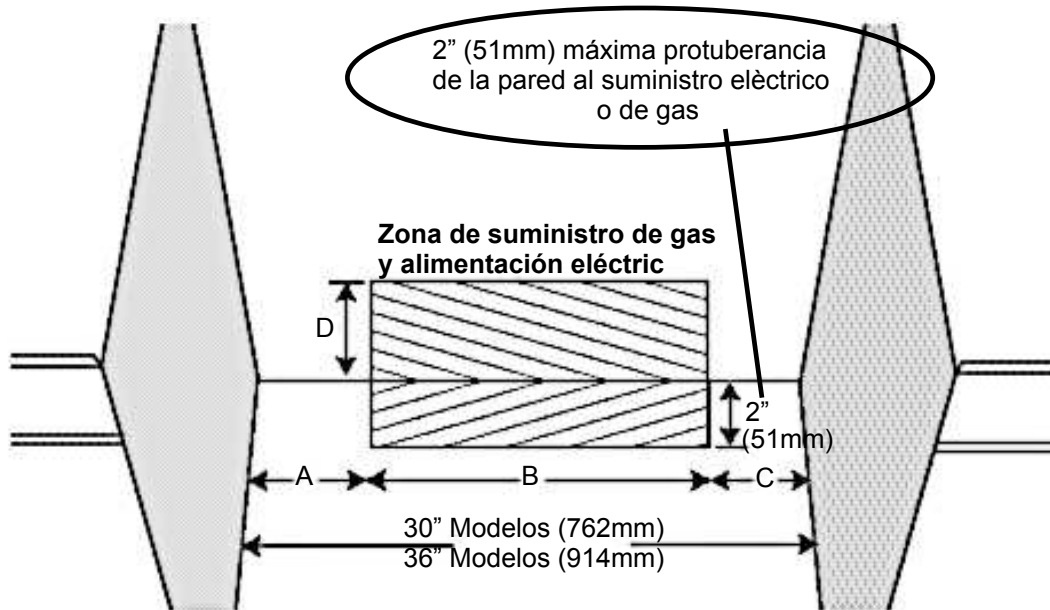
Instalación con "moldura de isla al ras"

NOTA:
 Con la puerta del horno totalmente abierta, la parte superior de la puerta se extiende a 44-7/8" (114 cm) de la pared trasera, detrás de la estufa cuando se instala. La instalación debe permitir suficiente espacio libre para poder moverse alrededor de la puerta cuando ésta esté totalmente abierta.

Figura 2: Vista lateral

Suministro eléctrico y de gas

Localización de la conexión de alimentación de gas e eléctrico en estufas de doble combustible de 30" et 36"



Model	A	B	C	D
30" (762mm)	5 ³ / ₄ " (146mm)	18 ⁷ / ₁₆ " (468mm)	5 ¹³ / ₁₆ " (148mm)	2 ¹⁵ / ₁₆ " (75mm)
36" (913mm)	8 ¹ / ₁₆ " (205mm)	19 ¹³ / ₁₆ " (503mm)	8 ¹ / ₈ " (206mm)	3 ³ / ₁₆ " (81mm)

Localización de la conexión de alimentación de gas e eléctrico en estufas de doble combustible de 48"

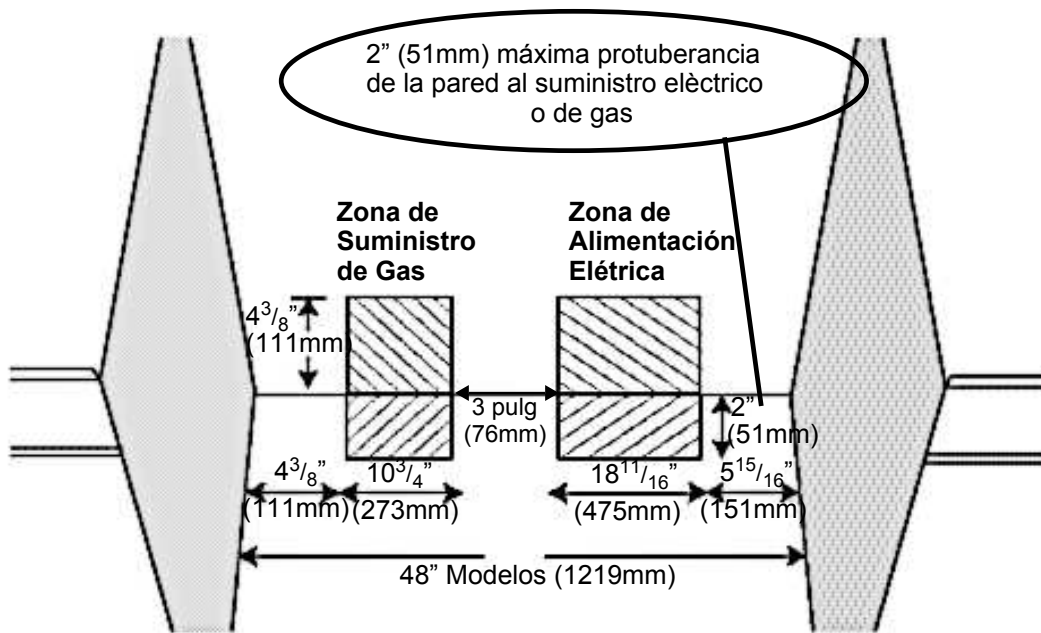


Figura 3a: Suministro eléctrico y de gas para las estufas de doble combustible

NOTA:

- Si aún no existe, instale una válvula manual de cierre de gas en un lugar de fácil acceso.
- Asegúrese de que todos los usuarios sepan dónde y cómo cerrar el suministro de gas de la estufa.
- Se deben sellar todas las aberturas situadas en la pared detrás de la estufa y en el piso debajo de la estufa.

Se puede conectar la estufa de gas a la fuente de alimentación eléctrica con un cable eléctrico (proporcionado con la estufa) o mediante una conexión directa a la fuente de alimentación. Es responsabilidad del instalador proporcionar los componentes correctos del cableado (cable o conducto y alambres) y conectar el aparato al gas conforme a los códigos y regulaciones locales, o al Código Eléctrico Nacional. La toma de tierra de los aparatos se debe hacer adecuadamente. Consulte el "Paso 7: Instalación de la consola trasera (opcional)".

Se debe conectar la estufa solamente al tipo de gas para el cual está certificada. Cuando conecte el aparato a gas propano, asegúrese de que el tanque de gas propano venga con su propio regulador de alta presión además del regulador de presión que se incluye con la estufa (vea el "Paso 6: Requisitos eléctricos, conexión y puesta a tierra").

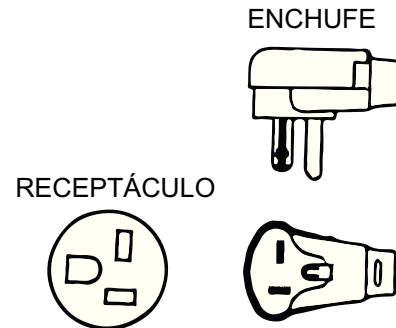
NOTA:

La estufa está diseñada para estar nivelada casi perfectamente con la pared trasera. Para lograr una instalación exitosa, puede ser necesario que tenga que volver a colocar la línea de suministro de gas y los cables eléctricos según va empujando la estufa hacia su posición final.

- **SUGERENCIAS:** Para conseguirlo, le sugerimos jalar cuidadosamente el suministro de gas y el cable eléctrico con una cuerda o un cordel mientras empuja la estufa hacia su posición final.

IMPORTANTE:

El cable de alimentación que se incluye con las estufas de gas, que viene con una plancha eléctrica, requiere un tomacorriente tipo NEMA 5-20, que se muestra aquí. Los códigos municipales podrían requerir un método diferente de conexión.



Alimentación eléctrica

Se debe planear la instalación de la estufa de tal modo que la chalupa de la caja de conexiones para el tomacorriente o la conexión directa tenga el máximo espacio libre a la parte trasera de la unidad. Para minimizar el contacto una vez que la unidad esté conectada al tomacorriente o a la caja de conexiones, oriente el tomacorriente y deslícelo de vuelta a su posición.

Cuando el cable de alimentación eléctrica se conecta al tomacorriente correspondiente, la conexión combinada de enchufe/tomacorriente no deberá sobresalir más de 2" de la pared trasera. Consulte la Figura 3b.

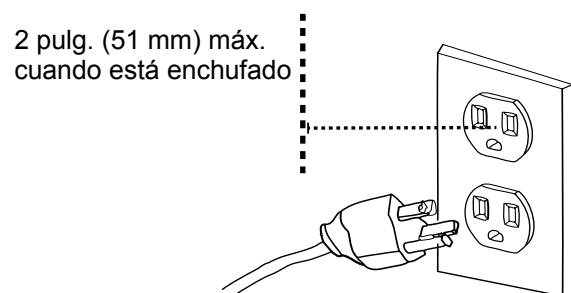



Figura 3b: Conexión de la pared:

Paso 3: Desempacar y mover la estufa


PRECAUCIÓN:



La estufa es pesada y se debe manejar en consecuencia. Para evitar lesiones y no dañar el aparato o el piso, se debe utilizar el equipo apropiado y por lo menos dos personas equipadas adecuadamente para mover la estufa. Dichas personas deben llevar guantes de protección y evitar llevar anillos, relojes u otros objetos parecidos que pueden dañar o engancharse en el aparato.

Las superficies ocultas del aparato pueden tener salientes cortantes. Tenga cuidado al sujetar el aparato por debajo o por atrás.

PRECAUCIÓN:



No use una carretilla de mantenimiento manual o un carro para electrodoméstico en las partes frontal o trasera del aparato. Úselos únicamente en los lados.

1. La estufa tiene un peso de expedición parecido al peso indicado en la tabla A. Se deben quitar las rejillas, la plancha, las tapas de los quemadores y las rejillas de la hornilla para facilitar el manejo. No quite el elemento de la plancha y el ensamblaje de la plancha. Deje la capa de espuma con adhesivo sobre superficies de metal cepillado, para proteger el acabado de rayones, hasta que la estufa esté instalada en su posición final.
2. Quite la caja exterior de cartón y el material de empaque de la plataforma de expedición, pero deje las láminas de espuma adhesivas encima de las superficies de metal cepillado para proteger el acabado contra los rasguños hasta colocar la estufa en su posición final.



Quite todas las cintas y el material de empaque antes de usar el aparato. Recicle todo el material de empaque ya que todo lo que utiliza THERMADOR® para empacar sus aparatos es reciclable. Nunca permita que niños jueguen con el material de empaque.

IMPORTANTE:

NO levante la estufa por la agarradera de la puerta del horno, ya que esto puede dañar las bisagras de la puerta y causar que la puerta ya no quepa bien en la cavidad del horno.

Tabla A	Estufa de 30"	Estufa de 36"	Estufa de 48"
Peso de embarque	300 lbs.	340 lbs.	540 lbs.
Peso sin materiales de empaque	270 lbs.	300 lbs.	470 lbs.
Sin puerta(s), tapas de quemadores, panel delantero inferior y rejillas del horno	150 lbs.	210 lbs.	330 lbs.

3. Las estufas están fijadas a las plataformas con cuatro (4) pernos (vea la *Figura 5*). Se debe quitar el rodapié para tener acceso a los pernos situados en la parte delantera de la plataforma (vea la *Figura 4*). Para quitar el rodapié, quite los dos tornillos situados bajo las esquinas inferiores de la cavidad de la hornilla y saque el rodapié fuera de los dos salientes de la base de la estufa (vea también la sección "Ajuste del rodapié" en la página 26).
- El diagrama del cableado eléctrico se encuentra detrás del rodapié. No se debe quitar, excepto por un técnico de mantenimiento, que lo tiene que colocar en su sitio después de utilizarlo.

Quite los tornillos con un destornillador Torx T-20. Empuje ligeramente el rodapié hacia arriba y tire de él hacia fuera una vez se hayan quitado los tornillos

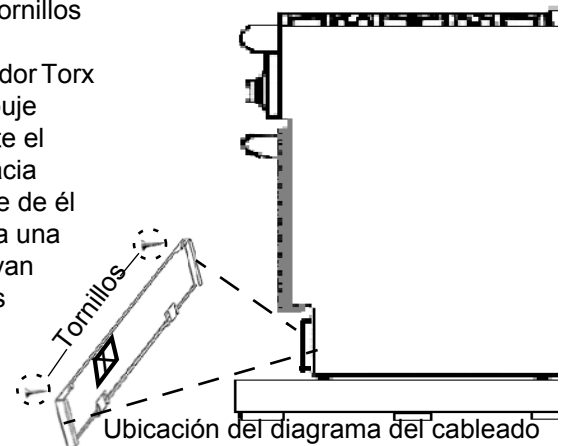


Figura 4: Como quitar el rodapié

- Una vez quitados los pernos de la plataforma con dos llaves de 0,5 pulg. (12,7 mm) – una para retener el perno de abajo, otra para aflojar la tuerca de arriba –, puede levantar la estufa y quitar la plataforma.

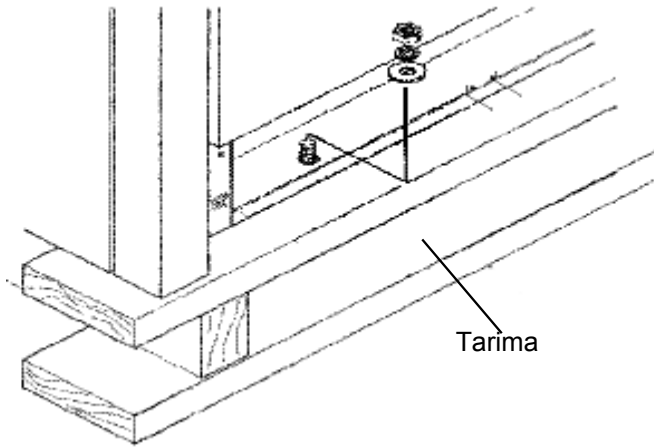


Figura 5: Extracción de los cuatro (4) bulones de transporte

- Debido al peso se debe usar una carretilla con ruedas suaves para transportar esta unidad. El peso debe quedar soportado uniformemente sobre la parte inferior. (Vea Figura 6).
- Para lograr un funcionamiento correcto, la **estufa debe estar nivelada**. (Es muy importante para todos los productos que vienen con la opción de la plancha). Se puede nivelar la estufa ajustando las patas con una llave.
 - Después de transportar la estufa por medio de la carretilla a su destino final, se puede inclinar la estufa hacia atrás, ya que las patas traseras soportan el peso, mientras se saca cuidadosamente la carretilla.
 - SE DEBE PROTEGER EL PISO DEBAJO DE LAS PATAS ANTES DE EMPUJAR LA UNIDAD EN SU POSICIÓN FINAL.** Se debe instalar el dispositivo antivoltadura (Paso 4), se deben realizar las conexiones eléctricas y de gas (Pasos 5 y 6), y se debe instalar la consola trasera de protección (Paso 7) antes de posicionar la estufa en su posición final.

- Reemplace el panel para los pies. Es importante que los dos (2) tornillos que fijan el panel de pies queden bien apretados para evitar el acceso accidental a las superficies calientes.
- Asegúrese que las tapas de los quemadores estén correctamente asentadas sobre las bases de los quemadores de la parrilla de la estufa.
 - Quite todas las cintas y el material de empaque antes de usar el aparato. Recicle todo el material de empaque ya que todo lo que utiliza THERMADOR® para empaclar sus aparatos es reciclable. Nunca permita que niños jueguen con el material de empaque.

La estufa debe estar soportada uniformemente por abrazaderas proporcionadas en la parte inferior de la estufa

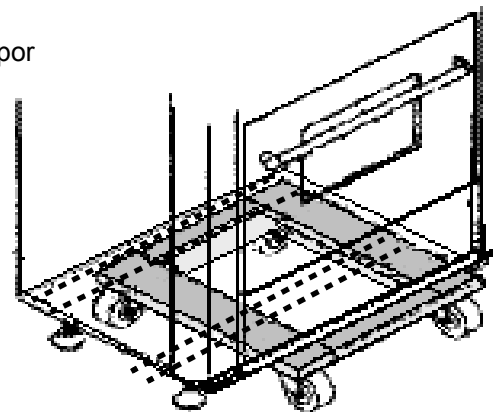


Figura 6: Colocar la carretilla

Paso 4: Instalación del dispositivo antivuelco



ADVERTENCIA:

RIESGO DE VUELCO DE LA ESTUFA:

- Para prevenir el vuelco accidental de la estufa, fíjela al piso con el dispositivo antivuelco proporcionado.
- Si no se instala el aparato de acuerdo con estas instrucciones, el aparato podría volcar. Se debe instalar, conforme a estas instrucciones, un dispositivo antivuelco con todas las estufas.

Cuando jale la estufa de la pared por motivos de limpieza, servicio u otra razón, asegúrese de volver a insertar correctamente el dispositivo antivuelco cuando empuje la estufa contra la pared. Sino, en el caso de un uso poco normal de la estufa (por ejemplo si alguien trepa, se sienta o se apoya sobre una puerta abierta), ésta podría volcarse. El hecho de ignorar esta precaución puede causar el vuelco de la estufa, lo que podría causar lesiones debido a líquidos calientes derramados o al peso mismo de la estufa.



ADVERTENCIA:

RIESGO DE DESCARGA ELÉCTRICA

- Tenga mucho cuidado cuando perforo orificios en una pared o en el piso ya que puede haber cables eléctricos ocultos.
- Identifique los circuitos eléctricos que podrían encontrarse en el sitio donde se instalará el dispositivo antivuelco y apague la corriente de estos circuitos.
- La falta de observar estas instrucciones puede causar una descarga eléctrica o lesiones graves.

PRECAUCIÓN — DAÑOS A LA PROPIEDAD:

- Contacte a un instalador o contratista cualificado para determinar el mejor método para perforar los orificios a través de la pared o del piso teniendo en cuenta el material (cerámica, madera dura, etc.).
- No deslice la estufa sobre un piso desprotegido.
- Si no lee estas instrucciones podría dañar la pared o la superficie del piso.

Herramientas necesarias para la instalación del dispositivo antivuelco:

- Destornillador Phillips
- Taladro eléctrico o de mano
- Cinta métrica o regla
- Broca de 1/8 pulg.(3,175 mm) (para pared y piso de madera o de metal)
- Broca de hormigón de 3/16 pulg. (4,76 mm) con punta de carburo (para pared o piso de hormigón o de bloques de hormigón)
- Cuatro anclajes de 3/16 pulg. (4,76 mm), para muro de yeso-cartón o de hormigón (no se requieren cuando el soporte del dispositivo antivuelco está fijado a una superficie sólida de madera o metal)
- Martillo
- Lápiz u otro marcador

No de pieza – Atención al cliente de THERMADOR	Cantidad	Descripción
415078	4	Tornillos Phillips, #10 x 1½ pulg.
647936	1	Soporte antivuelco



ADVERTENCIA:



- Un niño o un adulto podrían volcar el aparato y perder la vida.
- Asegúrese de que el dispositivo antivuelco esté instalado adecuadamente y que su soporte retenga la pata del aparato, conforme a las instrucciones de instalación.
- Asegúrese de que el dispositivo antivuelco retenga la pata del aparato al reinstalarlo en su sitio.
- No utilice el aparato si el dispositivo antivuelco no está instalado y no retiene el aparato.
- El hecho de no leer las instrucciones de este manual puede causar la muerte o graves quemaduras a niños y adultos.

Consulte las otras instrucciones de instalación.

Información de instalación importante:

- Se puede fijar el soporte antivolcadura a un gabinete sólido de madera con un grosor mínimo de pared de $\frac{3}{4}$ " (19mm).
- El grosor de la pared o del piso puede requerir tornillos más largos, disponibles en su ferretería local.
- En todos los casos se deben fijar al menos dos (2) de los tornillos de fijación a madera sólida o metal.
- Use taquetes apropiados cuando fija el soporte antivolcadura a cualquier material diferente que madera o metal.

El partido de ida estufa se desliza en la ranura de soporte anti-vuelco después de la instalación.

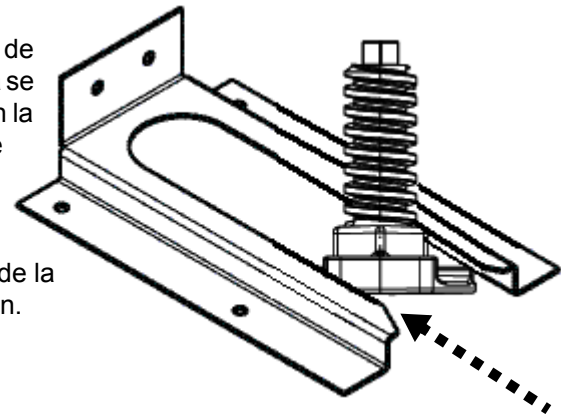


Figura 7: Instalar el dispositivo antivolcadura

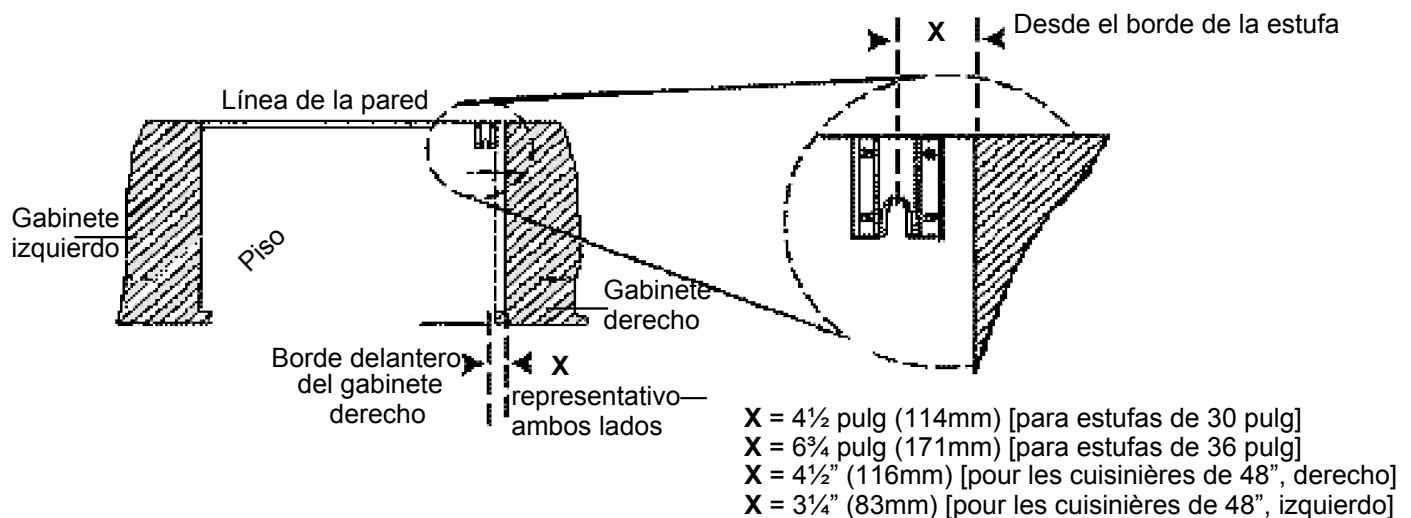


Figura 8: Colocación del dispositivo antivolcadura (vista superior)

1. Prepare orificios según indicados abajo:
 - Para paredes, pernos de pared o pisos hechos de madera sólida o metal, perforo orificios de 1/8 pulg (3mm).
 - Para paredes o pisos hechos de muro seco, tablaroca u otros materiales suaves, perforo orificios de 3/16 pulg (5mm) a una profundidad mínima de 1¾ pulg (45mm), luego inserte taquetes de plástico en cada orificio usando un martillo.
 - Para paredes o pisos hechos de cemento o bloques de concreto, perforo orificios de 3/16 pulg(5mm) a una profundidad mínima de 1¾ pulg (45mm), luego inserte de taquetes para concreto en cada orificio usando montaje un martillo.
 - Para paredes o pisos que están cubiertos con azulejos de cerámica, perforo orificios de 3/16 pulg (5mm) solamente a través del azulejo, luego perforo el material detrás del azulejo como se indica arriba.

Instalar el soporte de montaje antivolcadura

El soporte de montaje alternativo para el piso debe ser instalado del siguiente modo:

1. Coloque el soporte sobre el piso en la posición indicada en la *Figura 8* (Se puede usar el soporte en cualquier esquina del área de instalación).
2. Fíjelo al piso o a un perno de pared.
3. Luego, cuando la unidad está instalada, la pata ajustable se desliza debajo del soporte.
4. Si se mueve la estufa a un lugar nuevo, se debe quitar y reinstalar el dispositivo antivolcadura.

Paso 5: Requisitos de gas y conexiones

Verifique el tipo de gas que se está usando en el lugar de instalación. **Las unidades vienen configuradas de fábrica para uso exclusivamente con gas natural o gas propano (LP). Asegúrese de que la estufa coincida con el tipo de gas disponible en ese lugar. NO se pueden convertir estas estufas para otros tipos de gas.**

Para la instalación del aparato a grandes alturas, hasta 10.100 pies (3.078 m) de altitud sobre el nivel del mar, consulte a su proveedor local de gas para su recomendación de los tamaños de orificios correctos y otros ajustes necesarios que van a proporcionar una combustión correcta del gas a alturas específicas.



PRECAUCIÓN:

Cuando conecte el aparato a gas propano, asegúrese de que el tanque de gas propano venga con su propio regulador de alta presión además del regulador de presión que se incluye con la estufa. La máxima presión de gas de este aparato no debe exceder 14.0 pulgadas (34.9 mb) de columna de agua entre el tanque de gas propano y el regulador de presión.

Requisitos para gas natural:

Conexión de entrada:	N.P.T. interno de 1/2" (manguera flexible con diámetro mín. de 3/4")
Presión de suministro:	6" a 14" (máx.) de columna de agua. (14.9 a 34.9 mb)
Presión de admisión:	5" de columna de agua (12.5 mb)

Requisitos para gas propano:

Conexión de entrada:	N.P.T. interno de 1/2" (manguera flexible con diámetro mín. de 3/4")
Presión de suministro:	11" (mín.) a 14" (máx.) de columna de agua. (27.4 mb a 34.9 mb)
Presión de admisión:	10" de columna de agua (24.9 mb)



ADVERTENCIA:

No quite la placa trasera de la estufa. Sólo un técnico autorizado puede quitarla.

Conexión

- Se debe instalar una válvula manual externa de cierre de gas, en un lugar accesible desde el frente para cerrar el suministro de gas.** La línea de suministro no debe interferir en la parte trasera de la unidad. Asegúrese de cerrar el suministro de gas en la válvula de cierre manual antes de conectar el aparato.
 - La estufa viene con su propio regulador de presión que fue montado permanentemente dentro del cuerpo de la estufa.
- Utilice una manguera flexible de 3/4" entre el suministro de gas y la entrada de suministro del aparato, ubicada en la parte inferior derecha de la estufa (*Figura 9*). La conexión de la línea de suministro del aparato es NPT de 1/2". Tenga cuidado de no torsionar la manguera flexible de 3/4" cuando haga dobleces. La longitud sugerida de la manguera flexible es 48". Sin embargo, antes de hacer la instalación debe averiguar los requisitos de su región especificados en los códigos municipales.
 - Un técnico competente debe realizar las conexiones del suministro de gas conforme a los códigos y regulaciones municipales. A falta de códigos municipales, la instalación debe estar conforme al Código Nacional de Gas Combustible ANSI Z223.1/NFPA54, edición actual.
- Siempre aplique grasa para rosca o cinta de Teflon® en las roscas del tubo y tenga cuidado de no aplicar demasiada fuerza al apretar las conexiones.
- Las pruebas de fugas del aparato deben realizarse en seguimiento de las siguientes instrucciones.
 - Abra el gas y, con una solución de agua y jabón, revise las conexiones de la línea de suministro para ver si hay fugas.
 - La presencia de burbujas indica una fuga de gas. Repare todas las fugas de inmediato.



ADVERTENCIA:

No use ningún tipo de llama para verificar si hay fugas de gas.



WARNING:

Si se usa un juego de conversión, una agencia cualificada debería llevar a cabo la instalación conforme a las instrucciones del fabricante y a todos los códigos vigentes. Si no se siguen exactamente esas instrucciones, un incendio, una explosión o emanaciones de monóxido de carbono podrían dañar su propiedad, producir lesiones o causar la muerte. La agencia cualificada es responsable de la correcta instalación del juego de conversión. No se puede considerar la instalación como adecuada y acabada antes de que se compruebe el funcionamiento del aparato, conforme a las instrucciones del fabricante, proporcionadas con el juego de conversión.



PRECAUCIÓN:

El aparato debe estar aislado del sistema de tubería de suministro de gas cerrando la válvula manual de cierre durante cualquier prueba de la línea de suministro de gas a presiones de prueba igual a o inferior a $\frac{1}{2}$ psi (3,5kPa.).

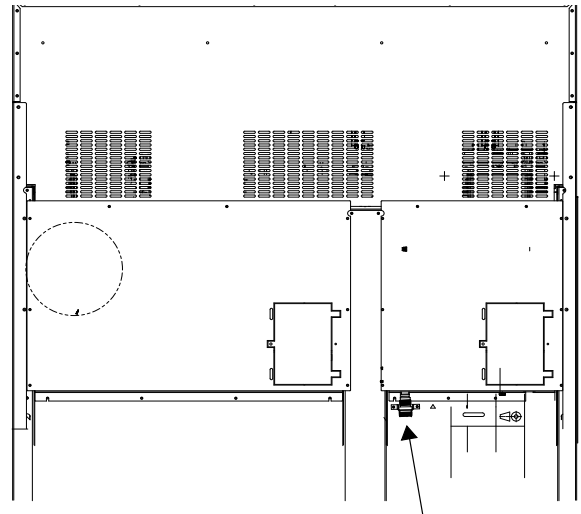


Figura 10: Ubicación de la conexión de la línea de suministro de gas en estufas de 48"

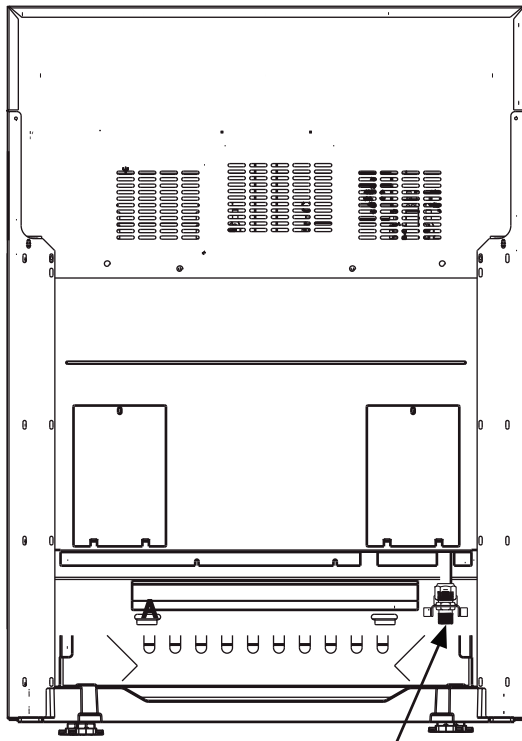


Figura 9: Ubicación de la línea de suministro de gas

Paso 6: Requisitos eléctricos, conexión y puesta a tierra

Antes de proceder a la instalación, apague la alimentación en el panel de servicio. Bloquéelo para impedir el encendido accidental de la alimentación.

Tabla B: Requisitos del circuito de alimentación eléctrica

MODELO Tipo	VOLTAJE	CIRCUITO CLASIFICACIÓN	FRECUENCIA	FASE
30"	120 VCA	10 A	60 Hz	monofásico
36"	120 VCA	10 A	60 Hz	monofásico
36" con plancha	120 VCA	20 A	60 Hz	monofásico
48" con plancha	120 VCA	20 A	60 Hz	monofásico

- Estos modelos de estufas de gas requieren un cable de alimentación neutro de la fuente de alimentación (panel de cortacircuitos/fusibles) porque los componentes críticos de la estufa, entre ellos los módulos de reencendido por chispa de los quemadores superficiales, requieren 120 VCA para funcionar correctamente.



PRECAUCIÓN:

Una fuente de alimentación incorrecta de 120/ 240 VAC causará el mal funcionamiento de este aparato, dañará la estufa y podría presentar un riesgo de descarga eléctrica.

- Si no se proporciona el circuito eléctrico correcto, el instalador y el usuario serán responsables de conectar una fuente de alimentación apropiada. Esta tarea debe quedar a cargo de un técnico capacitado y estar conforme a todos los códigos y regulaciones municipales aplicables. A falta de códigos municipales, la conexión de la fuente de alimentación debe estar conforme al Código Eléctrico Nacional.
- Observe todos los códigos y regulaciones en vigor cuando realice la puesta a tierra. A falta de códigos municipales, observe el Código Eléctrico Nacional ANSI/NFPA No. 70, edición actual.

- Los diagramas eléctricos se encuentran en el área del panel delantero inferior de la estufa, para el acceso de un técnico de servicio capacitado.
- Antes de enchufar el cordón eléctrico, asegúrese de que todos los controles estén en la posición de apagado ("OFF").
- Para los aparatos equipados con un cordón y un enchufe, no corte ni quite el diente de puesta a tierra. Debe enchufarlo en el receptáculo que le corresponda para evitar toda descarga eléctrica. Si tiene alguna duda respecto a la puesta a tierra, el cliente debería hacerla verificar por un electricista capacitado.
- Instalador: enseñe al propietario la ubicación del panel de cortacircuitos / fusibles. Señálelo bien para que sea fácil de encontrar.

Importante:

Se requiere un servicio de 20 A para la estufa con plancha eléctrica.

Paso 7: Instalación de la consola trasera (opcional)

Los métodos de instalación varían según las necesidades. Antes de empezar, lea atentamente estas instrucciones. Observe todos los códigos locales.


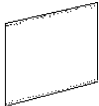


ADVERTENCIA:

Para evitar posibles quemaduras o incendios, se debe quitar todo el material del embalaje del accesorio antes de usarlo.

Instalación de la consola trasera de protección

(PA [30,36, 48] JBS)

Piezas incluidas	Herramientas requeridas
 10 – tornillos de 1 pulg. (25,4 mm)	Destornillador o punta Phillips
 1 – consola trasera de protección	Cinta métrica
1 0 manual de instalación	Lápiz

- Se debe instalar la consola trasera de protección antes de instalar una campana, ya que la campana cubre los tornillos de fijación superiores de la consola trasera de protección.
 - Para proteger la consola trasera de protección contra los rasguños, deje la lámina adhesiva de plástico que la cubre hasta terminar la instalación.
 - Si la estufa ya está instalada, consulte las instrucciones del fabricante para desconectar el suministro de gas y la alimentación eléctrica. Desplace la estufa para tener acceso a la pared trasera.
- Localice y marque los sitios donde pasan los travesaños de pared.
 - Normalmente, los travesaños de pared se instalan a intervalos de 16 pulg. o 24 pulg. (406 mm o 1372 mm).
 - La altura de la campana determinará la altura de instalación del borde superior de la consola trasera de protección. Se debe instalar la consola trasera de protección para que el borde inferior de la campana cubra la parte superior de la consola trasera de protección de 1-½ pulg. (38 mm).

- Utilice dos de los tornillos proporcionados para fijar las partes inferior y superior de la consola trasera de protección a cada travesaño de pared (vea la *Figura 11*).
 - En algunos casos, y teniendo en cuenta la anchura variable de los travesaños de pared y de las consolas traseras de protección, se puede encontrar únicamente un travesaño de pared en el sitio de instalación.
- Quite la lámina de protección de plástico.

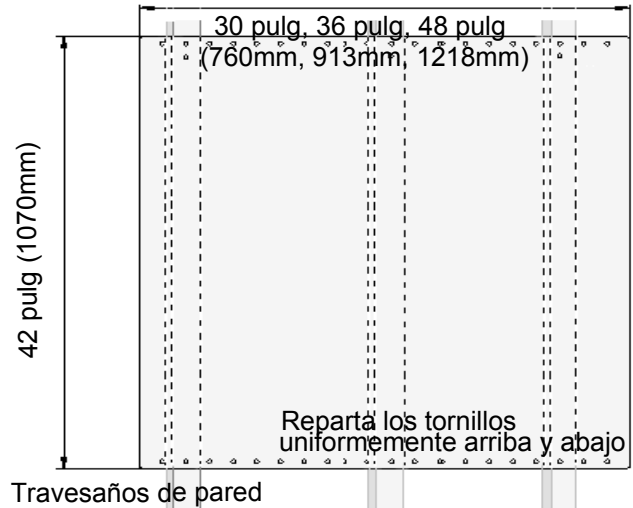


Figura 11: Instalación de la consola trasera

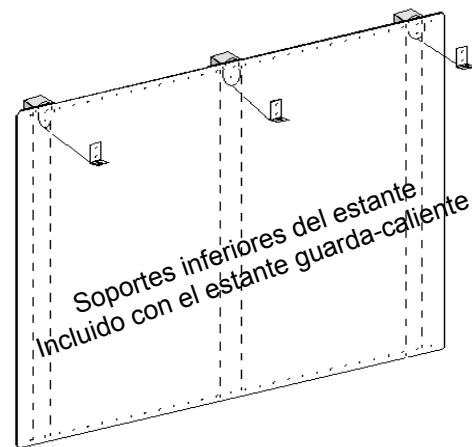


Figura 12: Consola trasera de protección con estante guardacaliente

Instalación de la consola trasera de protección con un estante guarda-caliente

- Se puede instalar primero la campana si instala la consola trasera de protección con un estante guarda-caliente ya que este estante cubrirá los tornillos de fijación superiores de la consola trasera de protección (Figura 13).
- Para proteger la consola trasera de protección de rasguños, deje la lámina adhesiva de plástico que la cubre hasta terminar la instalación.
- Si la estufa ya está instalada, consulte las instrucciones del fabricante para desconectar el suministro de gas y la alimentación eléctrica. Desplace la estufa para tener acceso a la pared trasera.

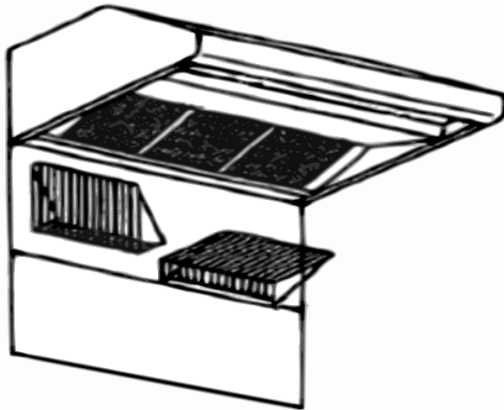


Figura 13: Consola trasera de protección con estante guarda-caliente

1. Localice y marque los sitios donde pasan los travesaños de pared.
 - Normalmente, los travesaños de pared se instalan a intervalos de 16 pulg. o 24 pulg. (406 mm o 1372 mm).
2. La altura de la campana determinará la altura de instalación del borde superior de la consola trasera de protección. Se debe instalar la consola trasera de protección para que la parte trasera del estante guarda-caliente cubra la parte superior de la consola trasera de protección de 1-½ pulg. (38 mm).
3. En el lugar indicado en la *Figura 12*, fije los soportes inferiores proporcionados con el estante guarda-caliente a través de la consola trasera de protección en los travesaños de pared.
 - En algunos casos, y teniendo en cuenta la anchura variable de los travesaños de pared y de las consolas traseras de protección, se puede encontrar únicamente un travesaño de pared en el sitio de instalación.
4. Quite la lámina de protección de plástico.
5. Comience la instalación del estante guarda-caliente.

Estante guarda-caliente (KHS [30,36,42,48] QS)

Piezas incluidas	
	12 – tornillos de 1 pulg. (25,4 mm) 4 – tornillos de ½ pulg. (12,7 mm)
	4 – tuerca en U
	2 – soportes superiores para el estante
	4 – soportes inferiores para el estante
	2 – rejillas guarda-caliente
	1 – consola trasera para estante guarda-caliente
1 – manual de instalación y patrón de papel	

Herramientas requeridas
Cinta métrica
Destornillador o punta Phillips
Cinta de pintor
Cuchillo o tijeras
Lápiz

Estante guarda-caliente (KHS [30, 36, 42, 48] QS)

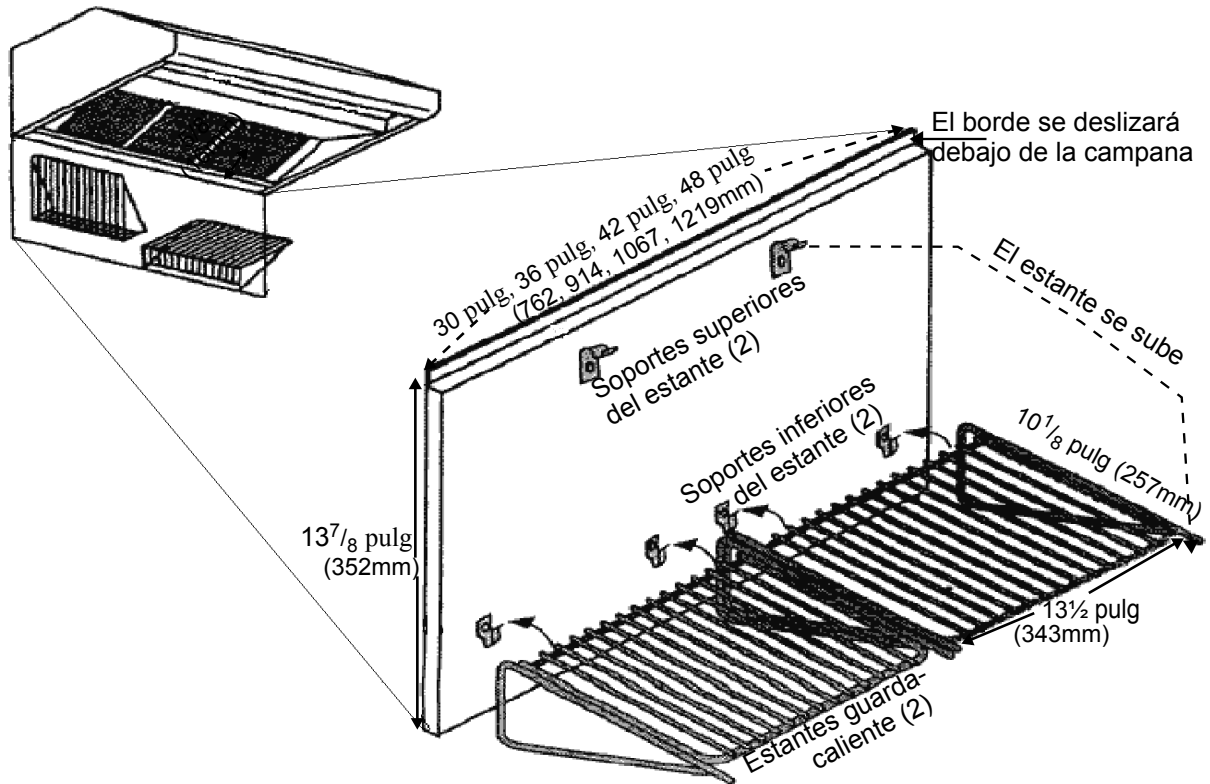




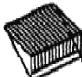
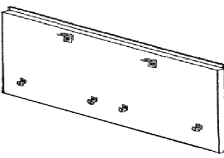


Figura 14: Estante guarda-caliente

Items Included	
	12 – 1" (25.4mm) screws 4 – 1/2" (12.7mm) screws
	4 – U-Nuts
	2 – Top shelf brackets
	4 – Lower shelf brackets
	2 – Keep hot racks
	1 – Keep hot shelf backplash
	1 – Installation guide & template

Tools Needed
Tape measure
Phillips screwdriver or drill
Painter's Tape
Sharp knife or scissors
Pencil

1. Pegue con cinta los patrones de papel proporcionados con el estante guarda-caliente de la forme siguiente:
 - Pegue la hoja titulada Left Hand Template en la esquina inferior izquierda alineando el borde inferior de la campana y la línea superior del patrón.
 - Pegue la hoja titulada Right Hand Template en la esquina inferior derecha alineando el borde inferior de la campana y la línea superior del patrón.
 - Pegue la hoja titulada Installation Instruction para que la flecha de encima del patrón esté alineada con la línea central de la campana. Alinee el borde inferior de la campana y la línea superior del patrón.
 - Los lados del patrón deben corresponder a la longitud del estante.
2. Instale los dos soportes superiores del estante y los tres soportes inferiores del estante en los sitios indicados en los patrones. Fíjelos con los diez tornillos de 1 pulg. (25,4 mm) proporcionados.
3. Corte el patrón alrededor de los soportes y quítelo de la pared. No lo tire antes de terminar la instalación del estante guarda-caliente.
4. Inserte las cuatro tuercas en los cuatro soportes inferiores del estante.

5. Instale la placa mural colocando las muescas de las esquinas (dorso de la placa mural) encima de los dos soportes superiores del estante. Deslice el accesorio del estante hacia arriba hasta que la parte inferior se enganche en los soportes inferiores (Figura 15).

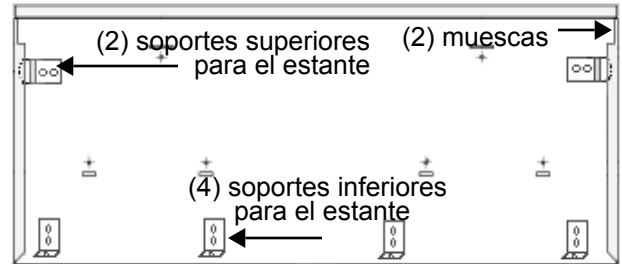


Figura 15: 48 Pulg Dorso de la placa mural

6. Asegúrese de que la parte superior del accesorio del estante esté bien fijada tirando de la parte superior del accesorio del estante.
7. Fije la parte inferior del accesorio del estante con los cuatro tornillos ½ pulg. (12,7 mm) proporcionados.

Para un estante guarda-caliente de 48 pulg.

Siga los pasos 1-6 teniendo en cuenta que los soportes inferiores se deben instalar a intervalos de 15 pulg. (381 mm).

Instalación de la consola trasera baja

Tabla C: Número de modelo para los kits de las consolas traseras de protección

Modelo	6" Consola Baja Estánd.	9" Consola Baja	Estante de Olla y Sárten 22"	Moldura de Isla al Ras
30"	Incluida con la estufa	N/A	PA30GSH	PA30GITH
36"	N/A	PA36GLBH	PA36GSH	Incluida con la estufa
48"	N/A	PA48GLBH	PA48GSH	Incluida con la estufa

NOTA:

Si se usa una consola trasera de protección con la consola baja, instale primero la consola trasera de protección, luego la consola baja antes de volver a colocar la estufa en su sitio.



ADVERTENCIA:

Para evitar posibles quemaduras o incendios, se debe quitar todo el material de embalaje del accesorio antes de usarlo.



ADVERTENCIA:

Tenga cuidado para no pellizcarse los dedos o las manos al instalar la consola trasera. Podría lesionarse gravemente. Lleve guantes de protección gruesos para evitar cortarse o lastimarse los dedos o las manos al deslizar la consola sobre la estufa.



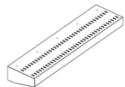
PRECAUCIÓN:

¡El estante alto puede calentarse mucho!
NO coloque encima de este estante:

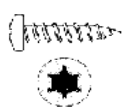
- plásticos o contenedores que se pueden derretir
- artículos inflamables
- una carga de más de 30 libras (13,6 kg)

Piezas proporcionadas con el estante alto

1 – panel superior

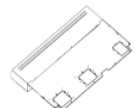


1 – panel delantero

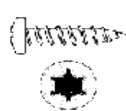


13 – tornillos Torx T-20 de acero inoxidable
(16 o 14) tornillos de punta Torx T-20

Piezas proporcionadas con la consola baja



1 – panel



9 o 8 – tornillos Torx T-20 de acero inoxidable
8 o 6 – tornillos de punta Torx T-20

1 – manual de instalación

Herramientas requeridas

Destornillador o punta Torx T-20

Guantes de protección



Figura 16: Vista frontal del estante y de la consola trasera baja

Cuando se instala sobre una superficie combustible, se debe usar una consola trasera baja o un estante alto. Se debe comprar por separado una consola trasera baja o un estante alto THERMADOR®. Vea la sección sobre los espacios libres en la página 6 para obtener más información.

Cuando se utiliza el adorno de isla THERMADOR, hace falta un espacio libre trasero mínimo de 12 pulg. (305 mm) entre el aparato y la superficie combustible (vea la *Figura 1*, Espacios libres para los armarios). Los espacios libres para las materias no combustibles no forman parte de la norma ANSI Z21.1 y no están certificados por la CSA. Los códigos locales o la autoridad local competente deben aprobar los espacios libres de menos de 12 pulg. (305 mm).

Ensamblaje del estante alto

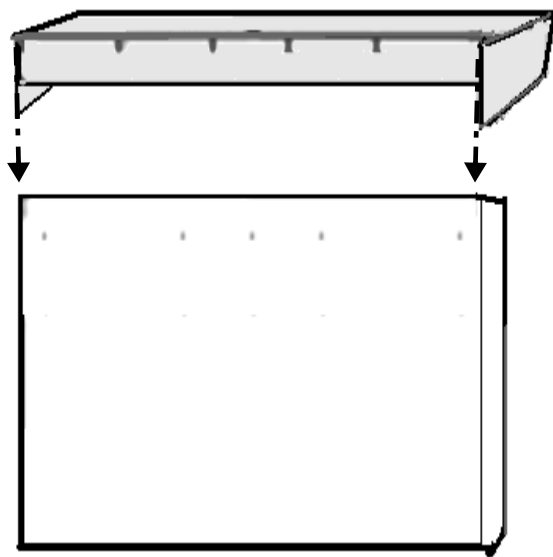


Figura 17: Vista trasera de la consola de protección

1. Quite la lámina de protección de plástico.
2. Inserte el estante en las guías de la consola trasera baja.
3. Fije cinco tornillos de acero inoxidable a lo largo de la parte superior del estante y doce tornillos de acero inoxidable en la parte trasera del estante.
4. Comience la instalación de la consola trasera baja.

Instalación de la consola trasera baja

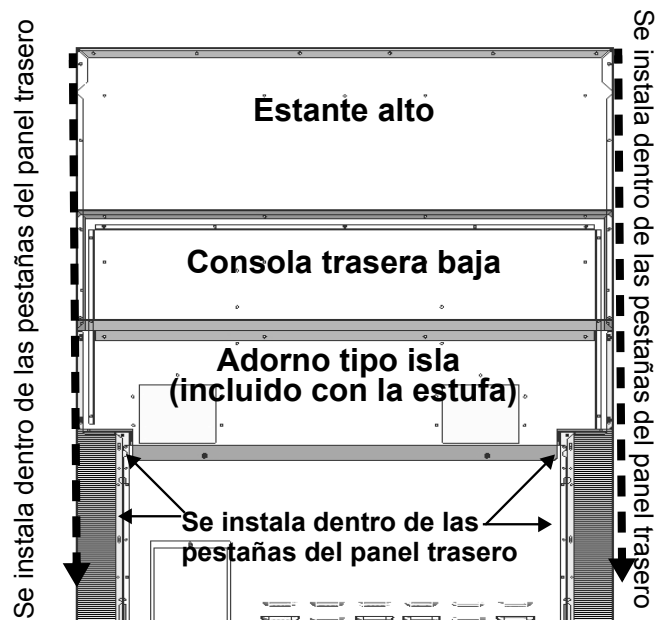


Figura 18: Instalación de la consola trasera baja

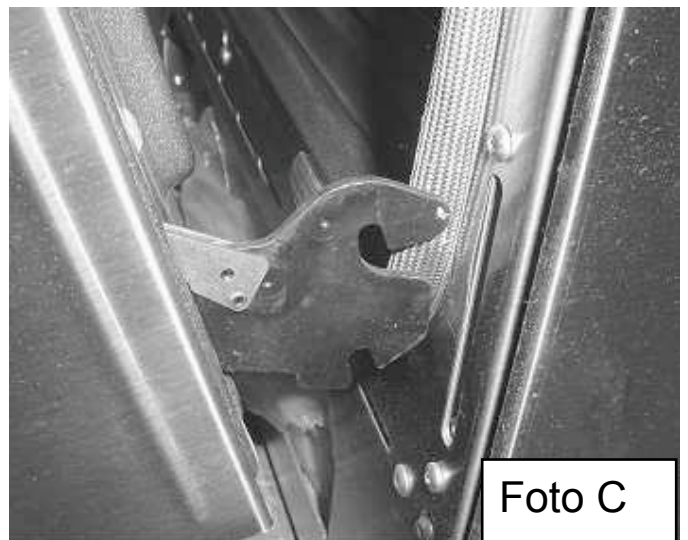
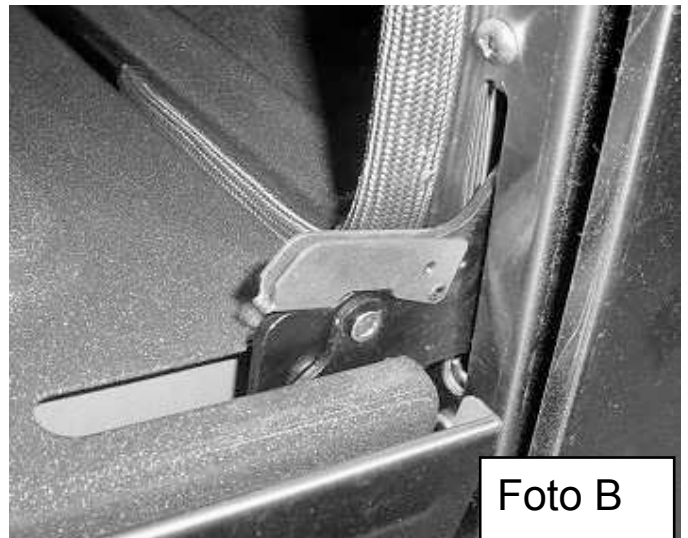
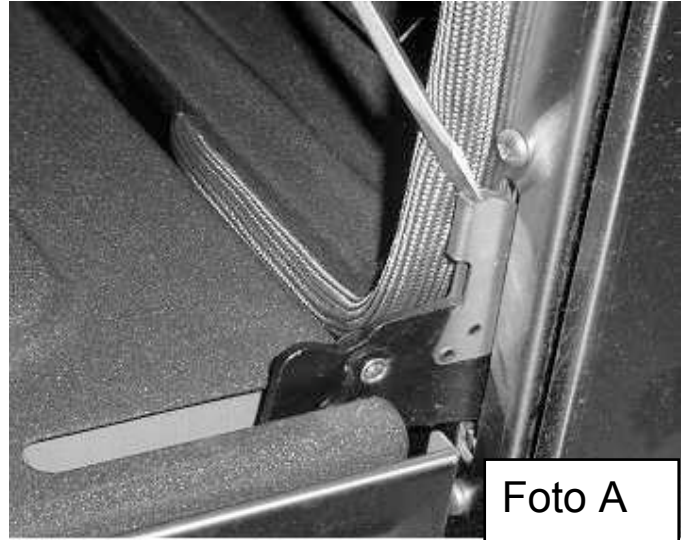
1. Quite la lámina de protección de plástico.
2. Según el modelo, quite los tres o cuatro tornillos Torx T-20 de acero inoxidable de la cara del adorno tipo isla proporcionado, los cuatro tornillos de punta que sujetan el adorno a los paneles laterales y los dos o cuatro tornillos de punta que mantienen la placa trasera en su sitio. Levante el adorno para quitarlo totalmente.
3. Alinee el panel trasero de la consola con las pestañas de los rincones de izquierda y derecha de los paneles laterales. La consola trasera baja se inserta en las guías situadas detrás de la estufa.
4. Asegúrese de que la parte frontal de la consola esté fuera de la pestaña de la parte frontal de la estufa.
5. Vuelva a instalar los tornillos en el panel delantero y los paneles laterales de la consola.
6. Atornille tornillos para fijar el panel trasero de la consola a las guías de la parte trasera de la estufa.

Paso 8: Quitar y reinstalar la puerta



PRECAUCIÓN:

- Asegúrese de que la hornilla esté fría y que la corriente esté desconectada antes de quitar la puerta. De otro modo podría recibir una descarga eléctrica o quemarse.
- La puerta de la hornilla pesa mucho y es frágil. Use ambas manos para quitar o reinstalar la puerta.
- Si no agarra la puerta de la hornilla firme y correctamente, podría lesionarse o dañar el producto.
- Nunca suelte la agarradera de la puerta de la hornilla para intentar cerrar las bisagras cuando ha quitado la puerta. Sin el peso de la puerta, los poderosos resortes cerrarán las bisagras con mucha fuerza.



Para quitar la puerta de la hornilla:

1. Abra la puerta completamente y use un destornillador para abrir los soportes de las bisagras (Foto A).
2. Voltee los soportes de las bisagras hacia abajo (Foto B).
3. Cierre la puerta hasta que se detenga contra los soportes de las bisagras. Estos mantienen la puerta entreabierta (Figura 19).
4. Agarre la puerta de los extremos de la agarradera y levántela (los resortes ofrecerán un poco de resistencia). Cuando la parte delantera de la puerta esté suficientemente alta para que las muescas salgan de las bisagras, puede jalar y sacar la puerta del aparato (Foto C). Guarde la puerta en un lugar seguro y estable.

Para reinstalar la puerta de la hornilla:

1. Coloque la puerta en el ángulo adecuado (*Figura 19*) e inserte las bisagras en las ranuras. Las bisagras se engancharán firmemente en las ranuras si se instala adecuadamente la puerta. No fuerce o tuerza la puerta.
 - Truco: Apoye la puerta sobre su pie y use su pierna para estabilizarla.
2. Abra completamente la puerta y use un destornillador para empujar los soportes de las bisagras hasta el fondo de las ranuras (hacia la hornilla). Tenga cuidado para no arañar la estufa durante este proceso.

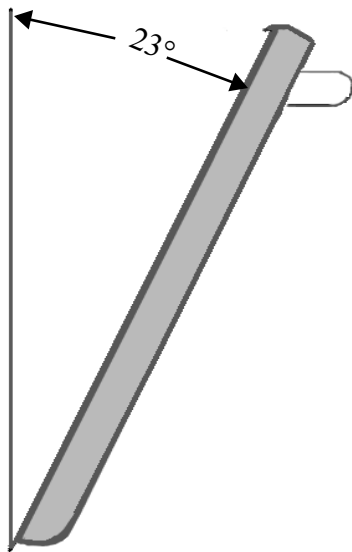


Figura 19: Ángulo aproximativo necesario para quitar la puerta.

Verificación de la instalación y del funcionamiento de la puerta

1. Abra y cierre la puerta lentamente para asegurarse de que se mueva normalmente y que esté ajustada a la cavidad de la hornilla. No fuerce para abrir o cerrar la puerta. Si está bien instalada, debería moverse fácilmente y, cuando está cerrada, estar alineada con la parte frontera de la hornilla.
2. Si no funciona adecuadamente, asegúrese de que las bisagras descansen en sus ranuras y que los soportes estén en el fondo de las ranuras.
3. Para las grandes y pequeñas hornillas, si la puerta o la agarradera parecen levemente desniveladas, puede ajustar su inclinación apretando o aflojando el tornillo Torx de la bisagra con un gran destornillador Torx T-20. El tornillo se encuentra directamente encima de la ranura de la bisagra. Apriétela o aflójela según el ajuste que haga falta para alinear correctamente la puerta (*Figura 20*).

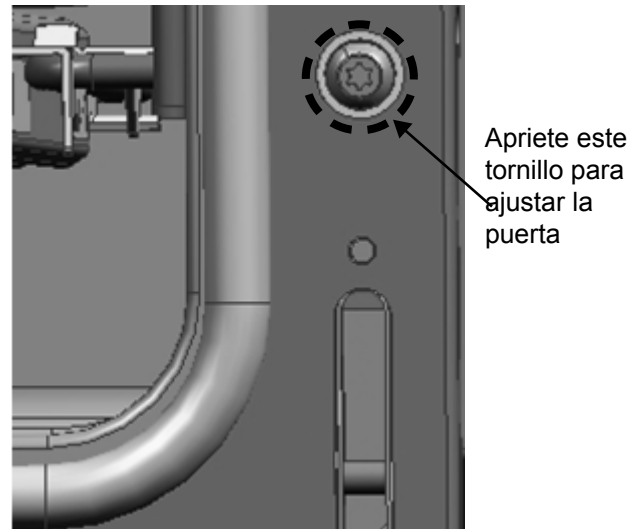


Figura 20: Tornillo de ajuste de la bisagra

4. La estufa debe estar nivelada para el alineamiento adecuado de las puertas de la hornilla. Vea la sección "Paso 9: Colocar y nivelar la estufa" en la página 24.

Ubicación de la placa de señalización

La placa de señalización, donde están escritos el número de modelo y el número de serie, es accesible bajo la parte frontal de la estufa, cuando se abre o quita la puerta de la hornilla.

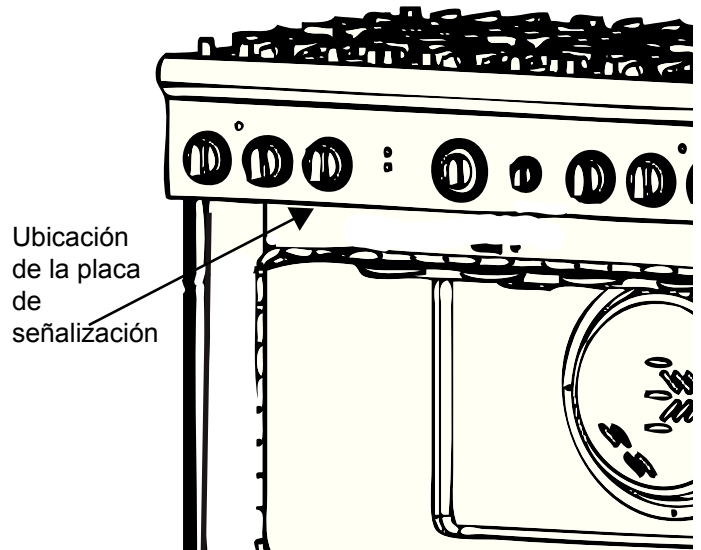


Figura 21: Ubicación de la placa de señalización

Paso 9: Colocar y nivelar la estufa



PRECAUCIÓN:

Los bordes superiores de los paneles laterales de la estufa deben estar a la misma altura o más altos que la encimera adyacente. Si se usa la estufa a una altura más baja que la encimera adyacente, los armarios podrían estar expuestos a temperaturas excesivas, lo que podría dañar la encimera y los armarios (vea la *Figura 23*).

Para obtener un rendimiento óptimo, la estufa debe estar nivelada. Esto es muy importante para todos los aparatos que vienen equipados con una plancha). La cavidad de la hornilla también debe estar nivelada para obtener un rendimiento óptimo.

1. La estufa tiene cuatro patas ajustables, enroscadas en la base moldada de aluminio del aparato. Se puede nivelar la estufa girando con una llave ajustable de 12 pulg. (305 mm) los lados planos de cada pata.
 - Se recomienda medir la altura de la encimera con una cinta métrica, aumentar entre 1/16 pulg. y 1/8 pulg. (2-3 mm) y ajustar las patas antes de colocar la estufa en su posición final.
2. El ajuste de la altura se debe hacer poco a poco, alternando entre cada una de las cuatro patas hasta que los bordes superiores de los paneles laterales de la estufa estén aproximadamente a la misma altura que la encimera.
 - Girando la pata ajustable delantera derecha en el sentido horario, bajará el lado derecho de la puerta. Girando la pata ajustable delantera izquierda, se obtendrá el efecto contrario.
 - Girando la pata ajustable delantera central (modelos de 48 pulg. únicamente) en el sentido horario, subirá el lado izquierdo de la gran puerta y el lado derecho de la pequeña puerta. Girando la pata ajustable delantera central en el sentido antihorario, se obtendrá el efecto contrario.

3. Los ajustes finales de la altura de las dos patas traseras se deben hacer antes de mover la estufa hasta su posición final entre los armarios.

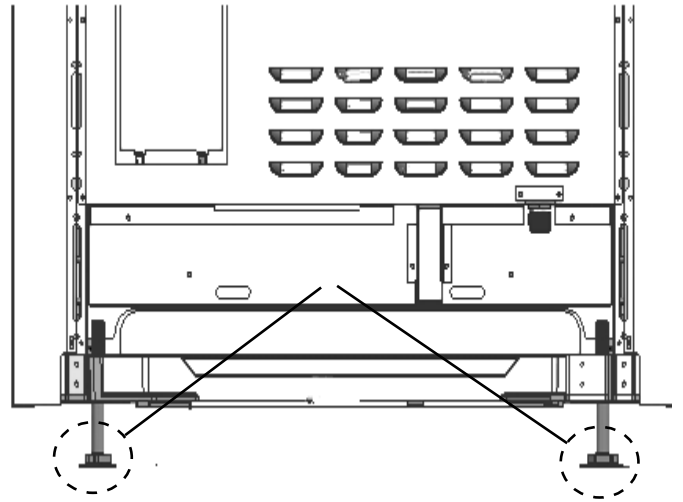
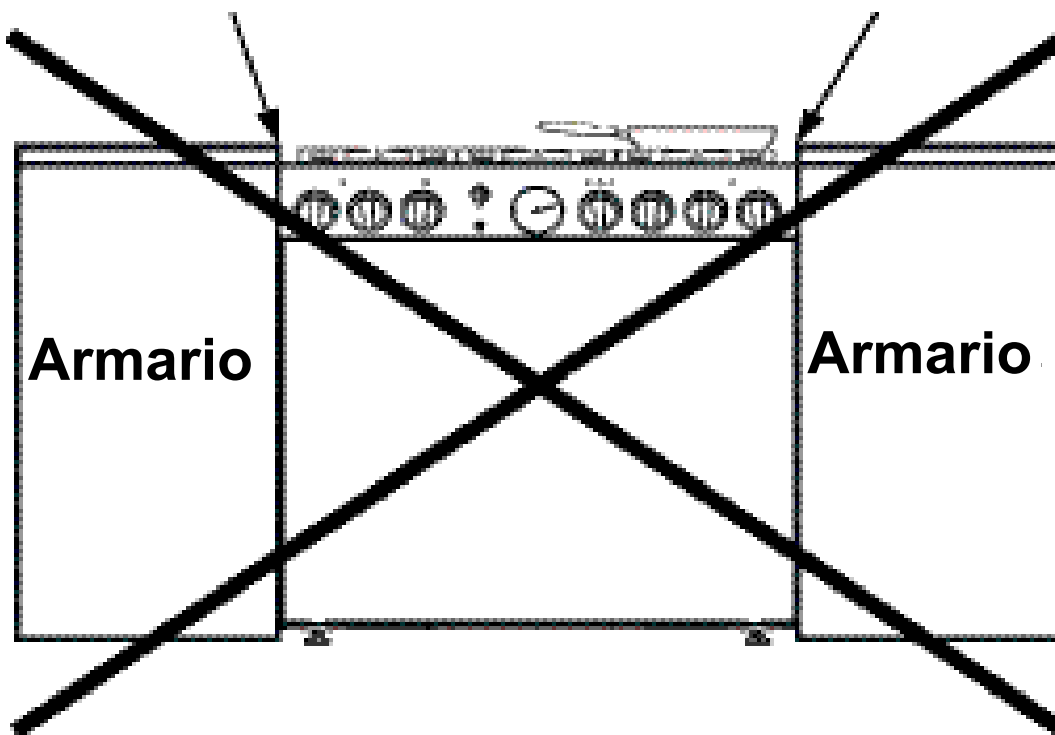


Figura 22: Ubicación de las ruedas

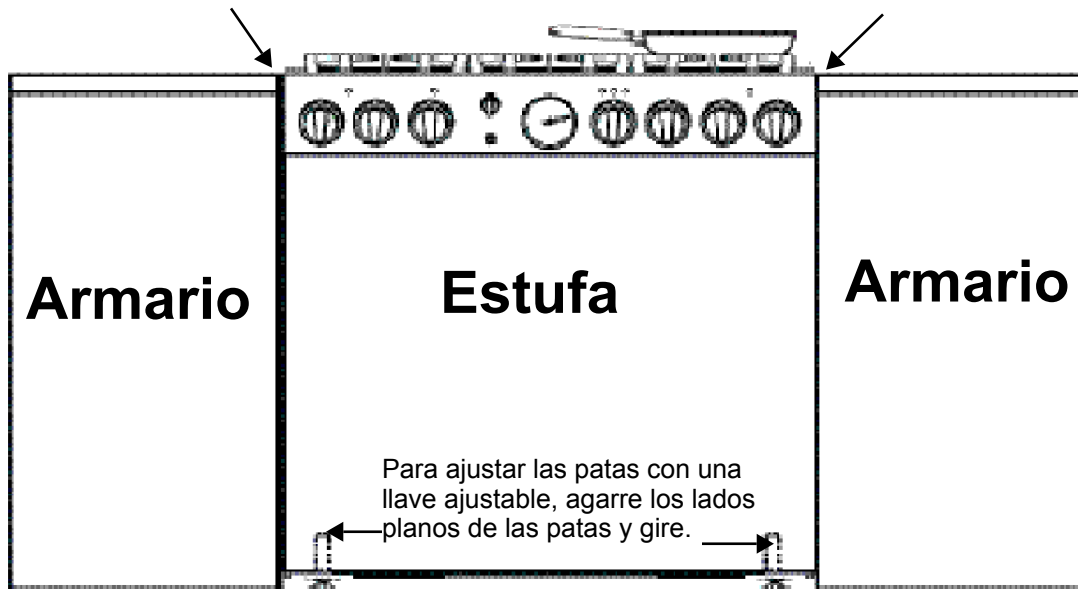
4. Cuando la estufa se halla en su posición final, los ajustes de altura finales y el alineamiento con la encimera se hacen con las patas delanteras.



¡PRECAUCIÓN! No utilice la estufa si los paneles laterales están más bajos que la encimera. Las altas temperaturas de la hornilla podrían dañar los armarios o la encimera.



¡CORRECTO! – Las patas ajustables deberían ajustarse para que los paneles laterales estén a la misma altura que los armarios



Nota: Se da por supuesto que la encimera adyacente a la estufa está bien nivelada.

Figura 23: Ajuste de la altura de la estufa

Ajuste de inclinación de la plancha (No todos los modelos)

Si la estufa viene equipada con una plancha eléctrica, revise el ajuste del bastidor de la plancha echando dos cucharas de agua sobre la parte trasera de la bandeja de la plancha. El agua debería bajar lentamente al colector de grasa. En caso contrario, ajuste los dos tornillos debajo de la parte trasera del bastidor. Comience con medio giro de los tornillos en sentido opuesto del reloj (CCW por sus siglas en inglés). Otros ajustes deben ser de un cuarto giro hasta que el agua fluya lentamente al colector de grasa.

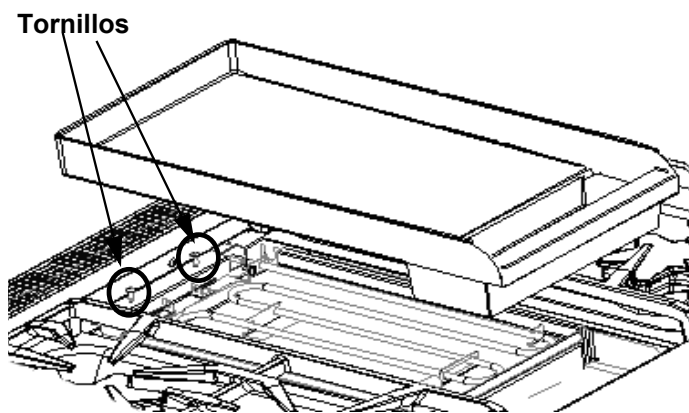


Figura 24: Ajuste de inclinación de la plancha



PRECAUCIÓN:

Asegúrese de que las tapas de los quemadores estén bien colocadas en sus bases en la superficie de la estufa.

Ajuste del rodapié

Para ajustar el rodapié, haga lo siguiente:

1. Quite los tornillos del rodapié con un destornillador Torx T-20.
2. Empuje ligeramente el rodapié hacia arriba para librar las lengüetas de aluminio de la base moldada.
3. Coloque el rodapié en una de las cinco posiciones de los agujeros para los tornillos, como se ve en la *Figura 25*. Reinstale los tornillos Torx.
4. Haga lo mismo en el otro lado asegurándose de que el rodapié esté nivelado.
 - El rodapié de la estufa debe estar por lo menos a 0,5 pulg. (12,7 mm) sobre el suelo.

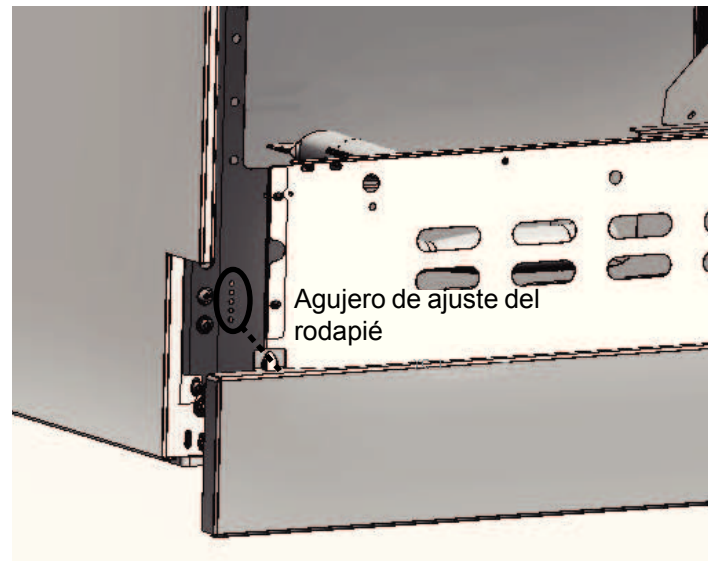


Figura 25: Ajuste del rodapié

Paso 10: Pruebas y ajustes de los quemadores

Instale cualquier componente suelto, tal como tapas de los quemadores y rejillas, que hayan sido retirados anteriormente. Asegúrese de asentar correctamente las tapas de los quemadores en sus bases. Antes de probar el funcionamiento del aparato, verifique que no haya fugas de gas en la línea de suministro y en la estufa, y que la unidad esté conectada a la fuente de alimentación. Abra la válvula de cierre de gas.

Pruebe los quemadores superiores de la estufa

Prueba del encendido del quemador. Seleccione una perilla de quemador de la estufa. Presione hacia abajo y gire en contra de las manecillas del reloj hacia **HI ("fuego alto")**. El módulo de chispa/encendido producirá un sonido de chasquido. Una vez que el aire ha sido purgado de las líneas de alimentación, el quemador debe encenderse aproximadamente en cuatro (4) segundos.

Prueba de la llama: Ajuste alto Gire el quemador a **HI ("fuego alto")**. La *Figura 26* muestra las características apropiadas de la llama.

Si alguno de los quemadores superiores de la estufa continúa produciendo una llama casi o completamente amarilla, verifique que la tapa del quemador esté posicionada apropiadamente en la base del quemador, entonces vuelva a hacer la prueba. Si las características de la llama no mejoran, comuníquese con THERMADOR®.

Prueba de la llama: Ajuste bajo. Gire el quemador al ajuste **SIM ("fuego lento")**. Verifique que la llama rodee completamente el quemador; a esto se le conoce como "envoltura del quemador". Debe haber una flama en cada puerto del quemador y no debe haber una apertura de aire entre la flama y el quemador. Si cualquiera de los quemadores no queda completamente "envuelto", llame a THERMADOR.

Los dos quemadores de la parrilla de estufa en el lado izquierdo cuentan con la característica XLO, que da lugar a un ciclo de encendido y apagado de la flama cuando la perilla está en la posición XLO; ésta operación es normal.

Repita estos procedimientos de prueba de encendido y llama para cada quemador superior de la estufa.

Nota:

El obturador de aire de los quemadores de horno viene de fábrica ajustado en posición totalmente abierta y no requiere más ajuste.

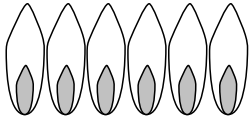
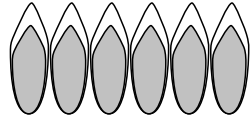
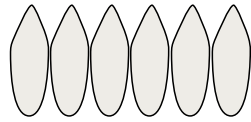
<p>Flama amarilla: Se requiere más ajuste.</p>	
<p>Puntas amarillas sobre conos: Normal para Gas LP.</p>	
<p>Flama azul suave: Normal para Gas Natural.</p>	
<p>Si la flama es casi o completamente amarilla, verifique que el regulador está establecido para el combustible correcto. Posterior al ajuste, vuelva a probar. Se pueden producir algunas rayas anaranjadas en el encendido inicial. Permita que la unidad trabaje durante 4-5 minutos y vuelva a evaluar antes de realizar ajustes.</p>	

Figura 26: Características de la llama

Si la llama está ajustada correctamente:

- **Debe haber una llama en el puerto de cada quemador.**
- No debe haber un espacio de aire entre la llama y el quemador.

Pruebe los quemadores del horno

Quite la cubierta inferior del horno. Quite los 4 tornillos laterales y los 2 tornillos traseros, luego deslice la cubierta, levantándola para despejar el deflector fijado en la base de la cubierta.

Pruebe los quemadores de horneado

Ponga el horno en **BAKE ("hornear")** a 350 °F. Después de 30-75 segundos, el quemador se encenderá. El quemador permanecerá encendido hasta llegar a 350 °F, después de lo cual se apagará. A partir de ese momento, el quemador se encenderá y se apagará para mantener la temperatura.

Pruebe los quemadores de asado

Encienda el horno en el modo **BROIL ("asar")**. El quemador se encenderá después de 30-75 segundos.

La plancha de cerámica infrarroja no tiene obturador de aire, por lo cual no necesita ningún ajuste.

Vuelva a poner la cubierta inferior del horno. Deslice la cubierta en su sitio y fjela de nuevo a la cavidad de la estufa.

Llame a THERMADOR® si:

1. No se enciende cualquiera de los quemadores.

2. La llama del quemador del asador o del horneado se apaga antes de que el horno alcance la temperatura deseada.

3. Cualquiera de los quemadores continúan produciendo una llama amarilla.

Lista de chequeo del instalador

- Se respetaron los espacios libres especificados hasta la superficie de los armarios.
- Nivelación del aparato – delante/detrás – lateralmente.
- Tapas de quemadores correctamente colocadas sobre las bases de quemadores.
- Se quitó todo el material de empaque.
- Se instaló el adorno de tipo isla y la consola trasera conforme a las instrucciones.
- Se instaló la placa de adorno de base y se fijaron los dos (2) tornillos.
- La puerta cabe correctamente en frente de la cavidad de la hornilla. Reinstale la puerta si hace falta.
- La plancha está bien instalada e inclinada ligeramente hacia delante.
- Verifique la llama de cada quemador. Debe corresponder a la descripción de llama del Paso 10. La llama puede tardar varios minutos para quemar todas las impurezas que se encuentran en los conductos de gas.
- Verifique la función ExtraLow[®] para asegurarse de que funcione y que la llama se vuelva a encender en todo el quemador.

Suministro de gas

- Conexión: N.P.T. de 1/2" con una manguera flexible de diámetro mín. de 3/4; se sugiere una longitud de cuatro (4) pies, según los códigos municipales.
- El aparato está conectado solamente al tipo de gas para el cual está certificado.
- Se instaló la válvula de cierre manual de gas en un lugar accesible (sin tener que mover la estufa).
- Se comprobó la unidad y no tiene fugas de gas.
- La presión del suministro de gas no excede de 14" de columna de agua (34.9 mb).
- Si se usa con gas propano, verificar que el suministro de gas tenga su propio regulador de presión además del regulador de presión que se incluye con el aparato.

Electricidad

- Existe un receptáculo con la protección correcta de sobretensión para conectar el cable de alimentación.
- Conexión correcta a tierra.
- Polaridad correcta del receptáculo.

Operación

- Los marcos están centrados en las perillas de los quemadores y las perillas giran libremente.
- Cada quemador prende bien, tanto en forma individual como junto con otros quemadores operando.
- Las bisagras de la puerta del horno están enganchadas y las bisagras están fijadas en su posición. La puerta se abre y cierra correctamente.
- Las rejillas de los quemadores están posicionadas correctamente, niveladas sin moverse.

Solución de problemas

Si la estufa mixta no funciona correctamente, siga los pasos siguientes para solucionar el problema:

- Asegúrese de que la estufa esté enchufada a la alimentación eléctrica.
- Compruebe la conexión eléctrica y el suministro de gas para asegurarse de que se hizo correctamente la instalación.
- Asegúrese de que la válvula de cierre de gas esté en posición abierta.
- Siga los pasos de solución de problemas del Manual de uso y cuidado.
- Para localizar un representante de servicio, vea los datos que se encuentran en el dorso de este manual. Apunte el número de modelo y el número de serie del producto que se encuentran en las placas de señalización.
- INSTALADOR:** Escriba el número de modelo y el número de serie del productor en el Manual de uso y cuidado del propietario.

Para limpiar y proteger las superficies exteriores

Se pueden limpiar las superficies de acero inoxidable con un trapo húmedo, jabonoso, enjuagar con agua limpia y secar con un trapo suave para evitar la formación de marcas de agua. Cualquier detergente suave para vidrio quitará huellas digitales y manchas.

Para decoloraciones o suciedades persistentes, consulte el manual de uso y cuidado.

Para sacar brillo y proteger el acero inoxidable, use un limpiador/cera tal como Stainless Steel Magic®.

NO permita que las suciedades permanezcan por tiempos largos.

NO use lana de acero ni cepillos metálicos. Se podrían pegar pedazos pequeños de metal a la superficie, causando que ésta se oxide.

NO permita el contacto prolongado de soluciones salinas, desinfectantes, blanqueadores o compuestos de detergentes con el acero inoxidable. Muchos de estos compuestos contienen químicos dañinos. Enjuague con agua después de cada exposición y seque con un trapo limpio.

AVISO:

Las especificaciones sirven exclusivamente para propósitos de planeación. Consulte las instrucciones de instalación y con su proveedor de encimeras antes de hacer los recortes en la encimera. Consulte a un ingeniero de calefacción y ventilación para determinar los requisitos específicos de ventilación que se aplican en su caso. Para obtener información más detallada, consulte las instrucciones de instalación que se incluyen con el producto o escriba a THERMADOR® indicando el número de modelo.

Nos reservamos el derecho de modificar las especificaciones o el diseño de nuestros productos sin previo aviso. Algunos modelos están certificados para ser usados en Canadá. THERMADOR® no es responsable de los productos transportados desde Estados Unidos para un uso en Canadá. Infórmese mediante su distribuidor o detallista canadiense local.

THERMADOR Support/Entretien/Mantenimiento

Service

We realize that you have made a considerable investment in your kitchen. We are dedicated to supporting you and your appliance so that you have many years of creative cooking.

Please don't hesitate to contact our excellent STAR Customer Support Department if you have any questions or in the unlikely event that your THERMADOR® appliance needs service. Our service team is ready to assist you.

USA:

800-735-4328

www.thermador.com/support

Canada:

800-735-4328

www.thermador.ca

Parts & Accessories

Parts, filters, descalers, stainless steel cleaners and more can be purchased in the THERMADOR eShop or by phone.

USA:

www.thermador-eshop.com

Canada contact:

AP Wagner 800-268-7513

or

Reliable Parts 800-663-6060

Entretien

Nous savons bien que vous avez investi une somme considérable dans votre cuisine. Nous nous faisons un devoir de vous soutenir pour que vous puissiez profiter pleinement d'une cuisine où vous pourrez exprimer toute votre créativité de nombreuses années durant.

N'hésitez pas à communiquer avec l'un des membres chevronnés de notre équipe de soutien au client si vous avez des questions ou dans le cas plutôt improbable où votre appareil THERMADOR^{MC} aurait besoin d'entretien. Notre équipe sera prête à vous aider.

USA:

800-735-4328

www.thermador.com/support

Canada:

800-735-4328

www.thermador.ca

Pièces et accessoires

Vous pouvez vous procurer par téléphone ou à notre boutique THERMADOR en ligne des pièces, des filtres, des produits nettoyants pour acier inoxydable et plus encore.

USA:

www.thermador-eshop.com

Canada contact:

AP Wagner 800-268-7513

or

Reliable Parts 800-663-6060

Mantenimiento

Nos damos cuenta que Usted invirtió una suma considerable en su cocina. Nos dedicamos a atenderle para que pueda sacar provecho de una cocina donde podrá expresar toda su creatividad durante muchos años.

Por favor, no dude en ponerse en contacto con uno de nuestros empleados ESTRELLAS de atención al cliente si tiene preguntas o en el caso más bien improbable que su aparato THERMADOR® necesite mantenimiento. Nuestro equipo estará listo para ayudarle.

USA:

800-735-4328

www.thermador.com/support

Canada:

800-735-4328

www.thermador.ca

Piezas y accesorios

Usted puede comprar piezas, filtros, productos de limpieza para acero inoxidable por teléfono o en nuestra tienda THERMADOR en línea.

USA:

www.thermador-eshop.com

Canada contact:

AP Wagner 800-268-7513

or

Reliable Parts 800-663-6060

Thermador  TM

REAL INNOVATIONS FOR REAL COOKS TM

1901 Main Street, Suite 600, Irvine, CA 92614 • 1-800-735-4328 • www.thermador.com
9000585053 • Rev C • 5U045L • © BSH Home Appliances Corporation, 2012