

PBL-UMW

Adjustable-Height Universal Mount for Projectors up to 40 lb.

LIST \$189.00	Color: White
Weight	8.00 lb. 3.6 kg
Weight Cap. per Head	40 lb. 18.1 kg
Height	9.84 in. 249.9 mm
Mounting Reach	18.95 in. 481.3 mm
Extension	+13.30 in. 337.8 mm
Pitch	+20.00° / -20.00°
Roll	+20.00° / -20.00°
Yaw	+360.00° / -360.00°

Downloads at Mounts.com



[Data Sheet](#)



[Bid Specification Document](#)



40 lb.



+360.00°
-360.00°



+20.00°
-20.00°



+20.00°
-20.00°



+9.84

DESCRIPTION

This adjustable-height universal projector mount fits most projectors weighing up to 40 lb. (18 kg). The PBL-UMW offers flexible projector positioning with four patented dual-joint support arms (US Patent number 7,942,375) that can reach almost any mounting point. It features an adjustable height extension channel and a versatile ceiling plate that can mount to traditional or vaulted ceilings. The quick release connector allows the projector to be installed quickly and then easily released for maintenance, without re-alignment. The PBL-UMW universal projector mounts comes in a white finish, but is also available in black (PBL-UMS).

FEATURES

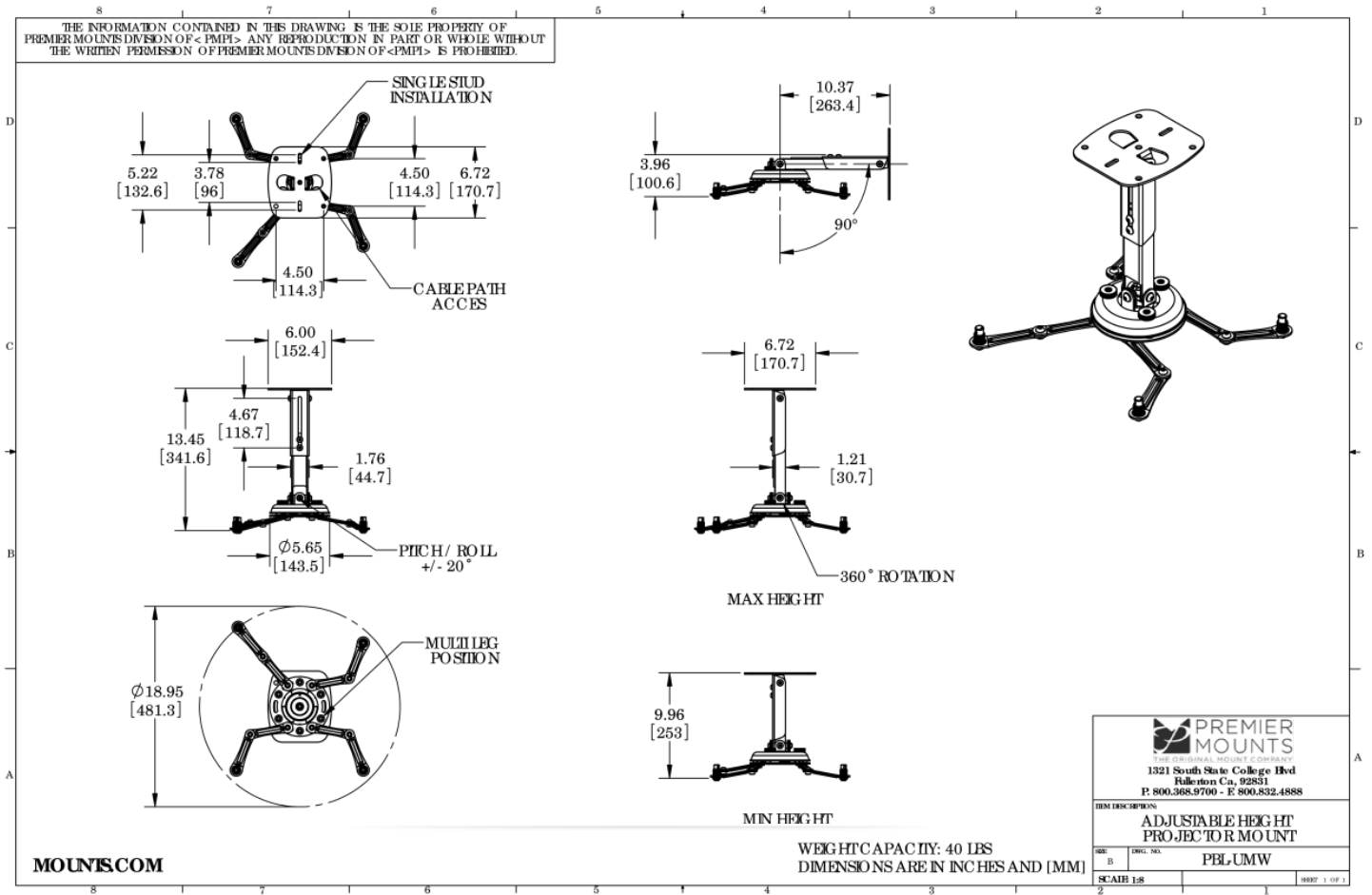
- Adjustable height channel extends from 9.8 in. - 13.3 in.
- Mounting plate installs on a single stud or a false ceiling adapter
- Can be mounted vertically or horizontally to walls, vaulted or traditional ceilings
- Flexible design allows both low-profile and extended height installations
- Four dual-joint support arms with Lock-It™ security leveling barrels for greater protection



PBL-UMW

Adjustable-Height Universal Mount for Projectors up to 40 lb.

DOWNLOAD FULL SIZE CAD FILES AND DIMENSIONAL DRAWINGS AT MOUNTS.COM



World Headquarters | 1321 S. State College Blvd., Fullerton, CA 92831 | 800.368.9700 USA | F 800.832.4888 | www.mounts.com

© 2013 PREMIER MOUNTS | Rev.01 | 10.2011