

Assembly Instructions


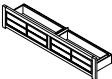

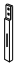

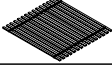
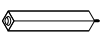
BH060-110/310/410 Kensington 6/6 Ek & 5/0 Q & 4/6 F Headboard
 BH060-128/328/428 Kensington 6/6 Ek & 5/0 Q & 4/6 F Footboard W/Slats
 BH060-330/530 Kensington 6/6 & 5/0 & 4/6 and 3/3 Side Rails

Thank you for purchasing this quality product. Be sure to check all packing material carefully for small parts, which may have come loose inside the carton during shipment. Identify, count all parts and compare with the **HARDWARE LIST** below.




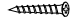

Caution: Please read the instructions thoroughly before assembly.

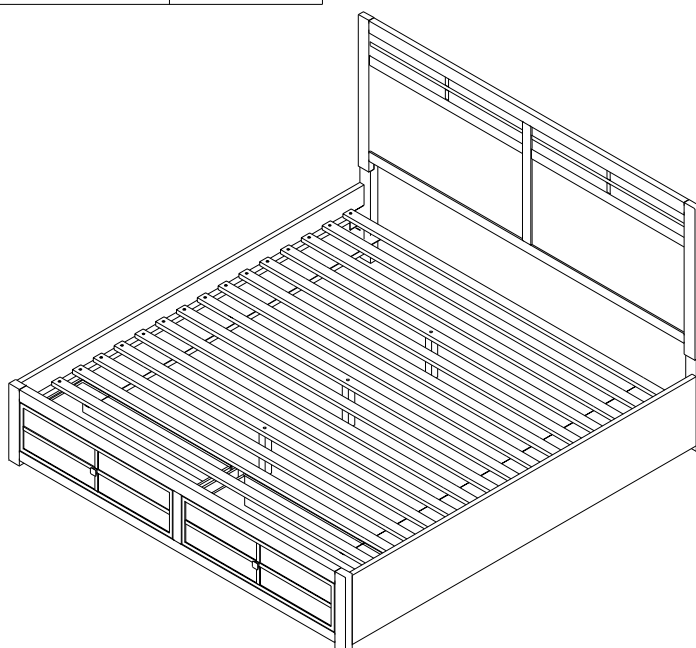
1. We recommend that you assemble this product with the assistance of another person: this will make the assembly easier, and will help eliminate damage to the product or injury to persons during assembly.
2. Please do not over tighten screws or bolts until the assembly is completed.
3. Please put all parts on a non-abrasive floor before assembly, and follow the assembly steps to assemble your newly purchased product correctly and efficiently

PART LISTS

NO:	COMPONENT	DRAWING	Q'TY
A	Headboard		1PC
B	Storage Footboard		1PC
C	Side Rail		2PCS
D	Right Post		1PC
E	Left Post		1PC
F	Slats Roll		1PC
G	Support Leg		3PCS

HARDWARE LISTS

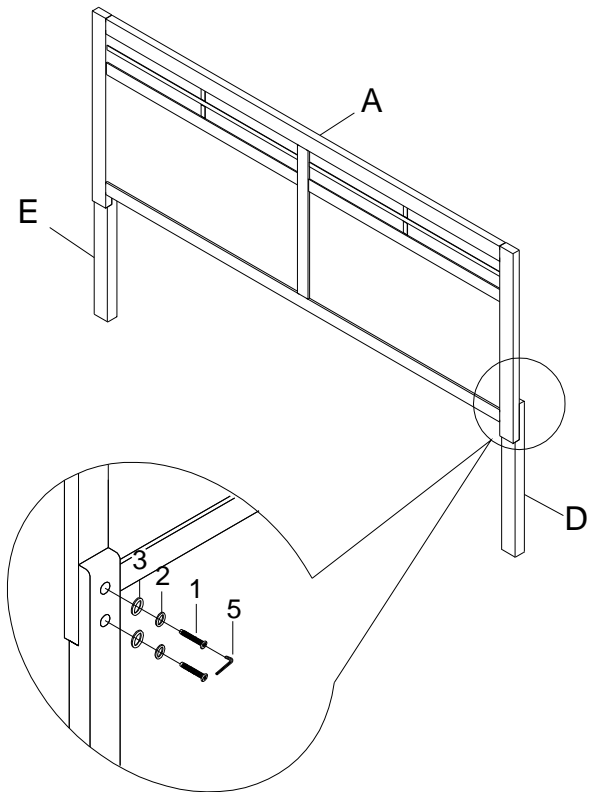
NO:	COMPONENT	DRAWING	Q'TY
1	Bolt Ø5/16"x40mmL		4pcs
2	Lock Washer Ø5/16"		4pcs
3	Flat Washer Ø5/16"x19mm		4pcs
4	Screw: #8*32mm		30pcs
5	Allen Key 4mm		1pc



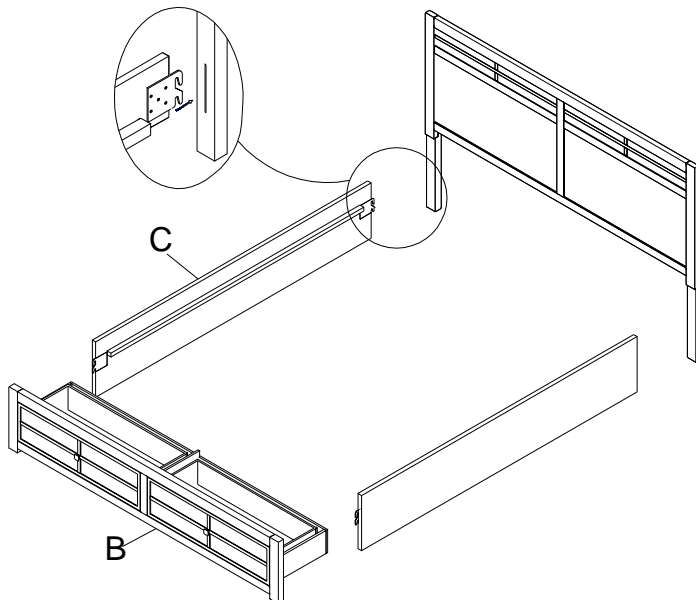
Assembly Instructions

BH060-110/310/410 Kensington 6/6 Ek & 5/0 Q & 4/6 F Headboard
 BH060-128/328/428 Kensington 6/6 Ek & 5/0 Q & 4/6 F Footboard W/Slats
 BH060-330/530 Kensington 6/6 & 5/0 & 4/6 and 3/3 Side Rails

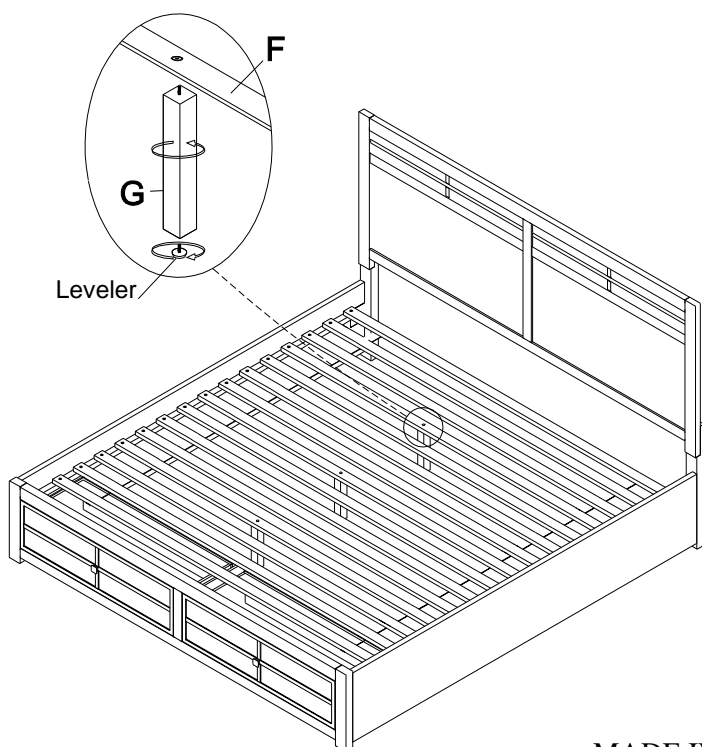
STEP 1



STEP 2



STEP 3



STEP 4

