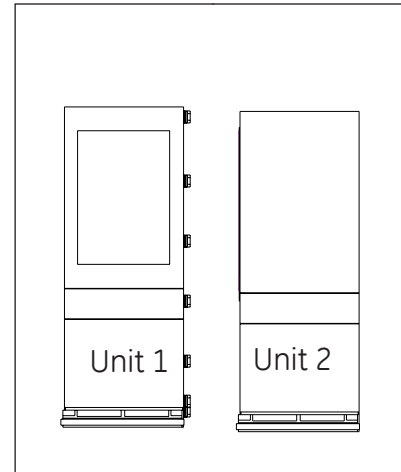
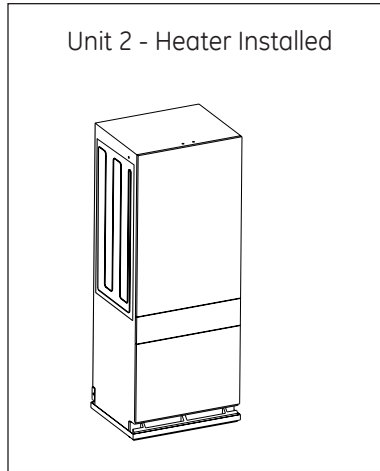
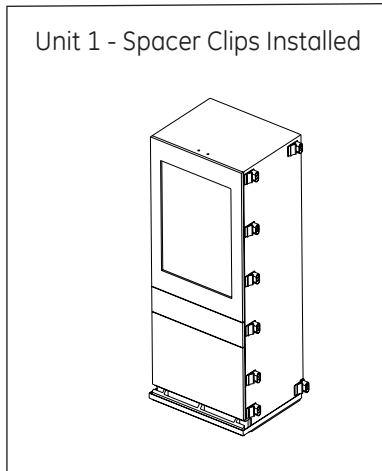


Installation Instructions – ZUG30 Heater Kit/Cover

TO BE USED WITH HOUSEHOLD REFRIGERATORS

30" BUILT-IN

BOTTOM-FREEZER, 2 DRAWER



ALL REFERENCES TO ASSEMBLY ARE FROM THE FRONT OF THE UNITS

PARTS PROVIDED:

Installation Instructions (1)
Heater (1)
Transformer (1)
Plastic Cover (1)
Brackets (2)

Spacer Clips (8)
Strain Relief (1)
Screw, 4.8 x 13 (4)
Bolt, M4 x 18 (2)
Nut, M4 (2)

Washer, star (4)
Bolt, M6 x 45 (3)
Nut, M6 (3)
Washer, flat (6)
Wiring 'Y' Splitter (1)

Tools Required:

#2 Phillips Head Screw Driver
Step Ladder
Open Wrench Set
5 mm. Allen Wrench

PPE Required:

Safety Glasses
Safety Gloves

! **NOTE:** WHILE PERFORMING INSTALLATIONS DESCRIBED IN THIS BOOK, SAFETY GLASSES OR GOGGLES SHOULD BE WORN.



BEFORE YOU BEGIN

Read these instructions completely and carefully.

! WARNING

Disconnect power to the appliance before beginning installation.
Do not operate the refrigerator until the installation is complete.

! WARNING

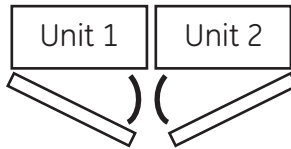
This refrigerator is top heavy and must be handled with care.
Failure to do so can result in the unit tipping over and result in death or serious injury.
Do not cut lower banding on units.
Do not remove foam base pad from front of units.

IMPORTANT SAFETY NOTICE:

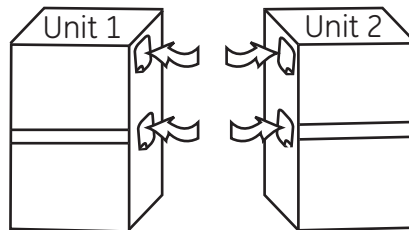
This kit is to be installed by a qualified service technician only. Any attempt to repair a major appliance may result in personal injury and property damage. Neither the manufacturer nor the seller can be responsible for the interpretation of this information or assume any liability in connection with its use.

1. This heater kit will only fit two units, if the doors face each other when opened. Door swing of unit 1 must be switched from right hand swing to left hand swing. Refer to Installation Instructions 31-46542 for proper procedure and safety measures.

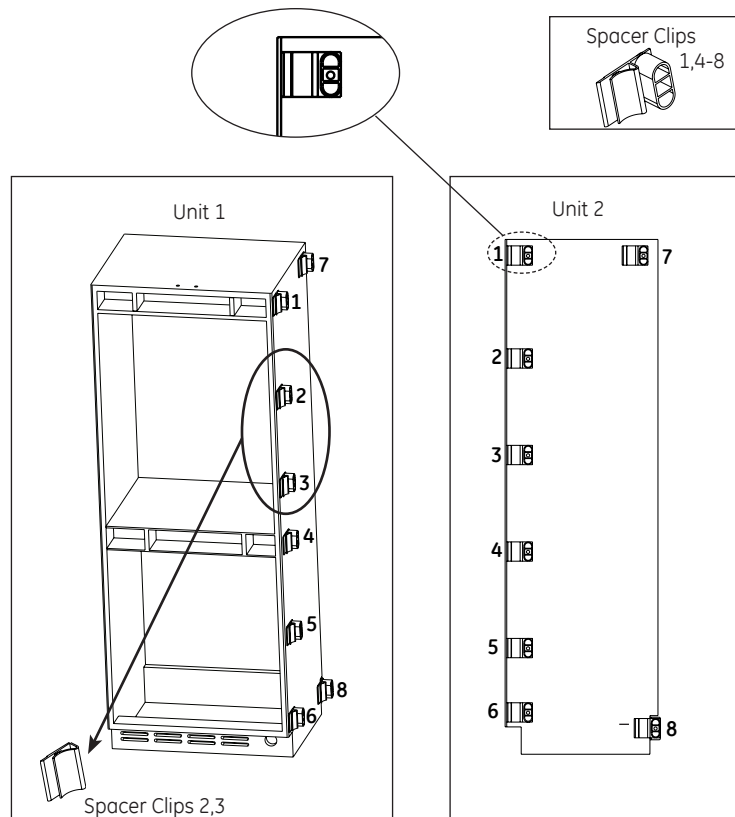
Required Door Swing
(view from above)



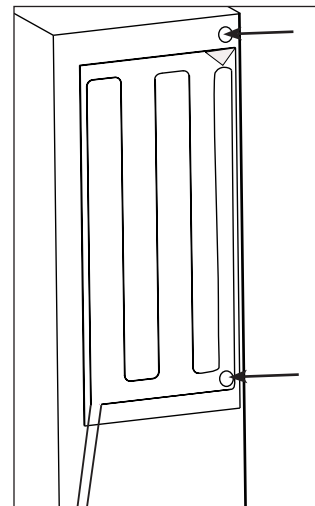
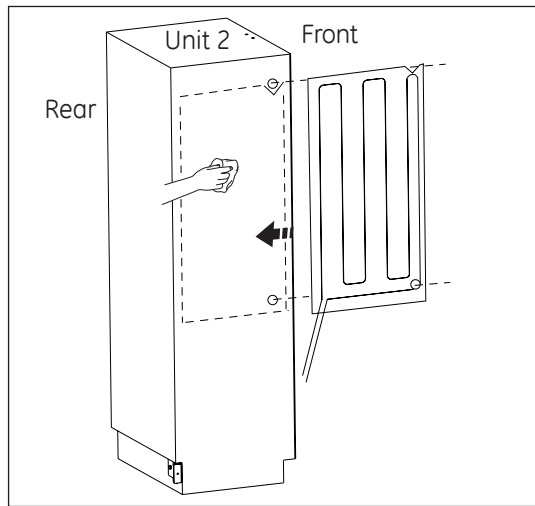
2. On sides of refrigerators, remove white stickers from top and center location, to reveal holes in the case. Remove any labels from sides of refrigerators and clean the surfaces.



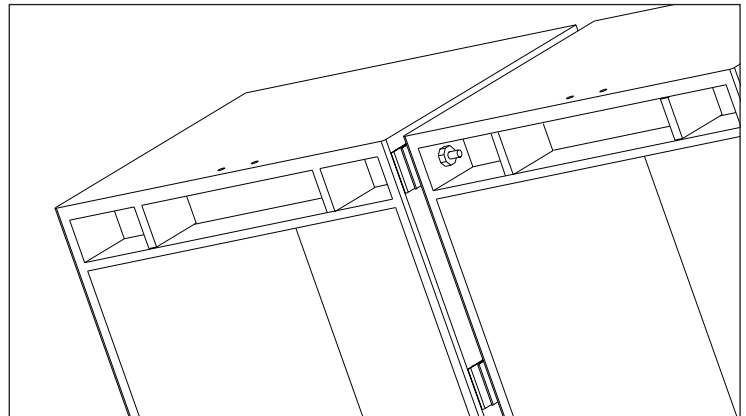
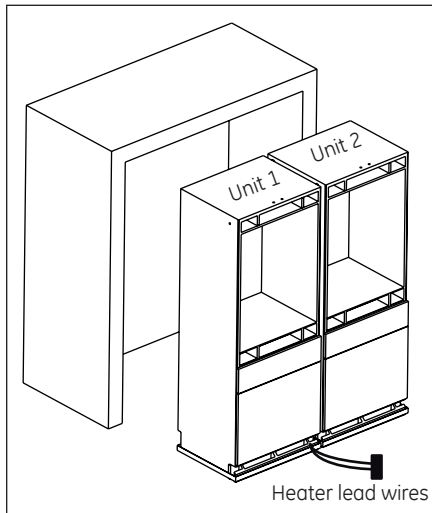
3. Attach spacer clips to the inner side wall of Unit 1. Line up holes in Spacer Clips 1 and 4 with holes in case. Attach clips 2 and 3 evenly spaced between 1 and 4. Note that clips 2 and 3 are different than the six other clips. It is very important that you use clips 2 and 3 in those locations only. Clip 6 attaches on the bottom front corner, along the front edge of Unit 1, same as clips 1 and 4. Clip 5 spaced evenly between clip 4 and 6. Clip 7 attaches to the top, rear corner of Unit 1. Orientation is not critical. Clip 8 is attached in a later step.



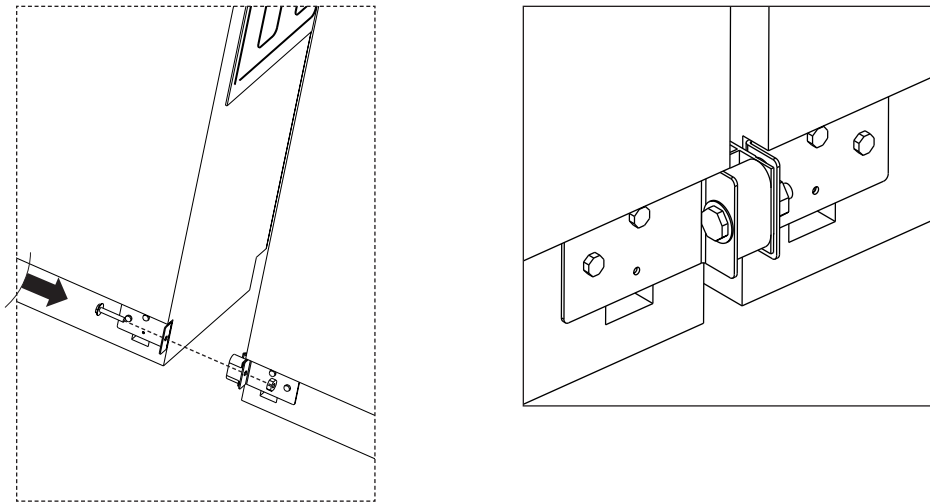
4. On Unit 2, use top and center holes to locate the foil heater. There is a hole in the foil heater. This lines up with the hole at the center of the case. The "V" notch at the top of the heater, lines up with the top hole in the side of the case. Remove paper backing from heater and carefully apply heater using these two holes as guides.



5. In front of cabinet enclosure, move units next to each other, with holes lined up. Make sure heater wire is dressed towards front of units for use in a later step. Tape heater lead wires to side of Unit 2 so that leads are sticking out the front, below clip 6, and easily reached for use in a later step. Using bolts, washers and nuts, join the two units together at the front - top and center. Tightened bolts until spacer clips touch Unit 2.

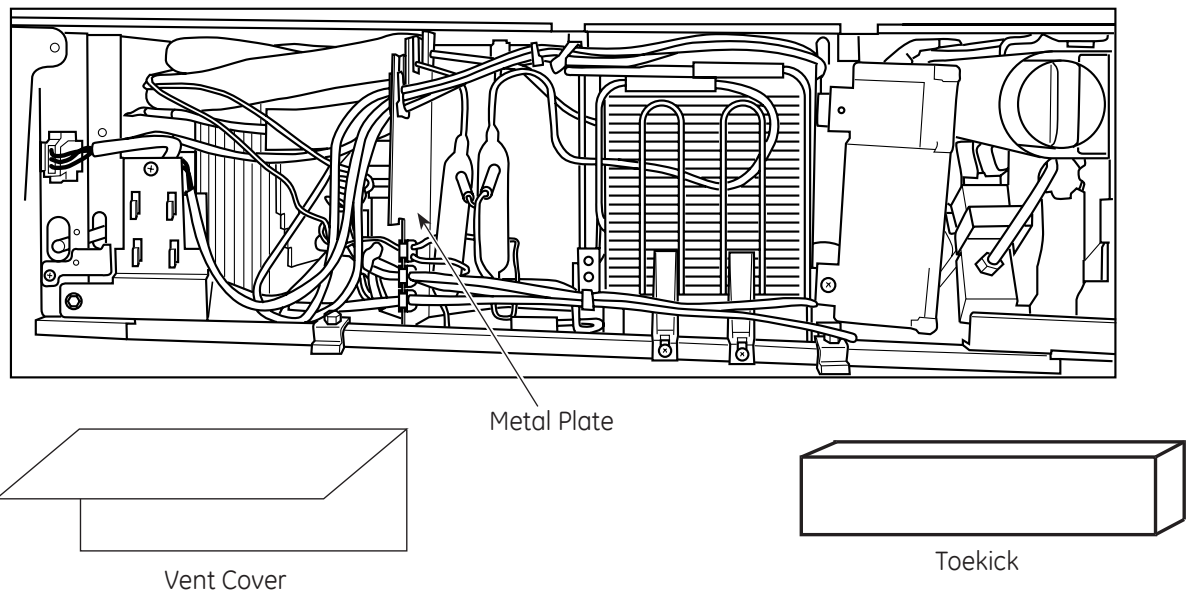


6. Attach joining brackets to rear of reach unit, using screws provided with kit, add spacer between brackets. Join with bolt, washers and nut. **Do not cut lower banding strap during this step.**

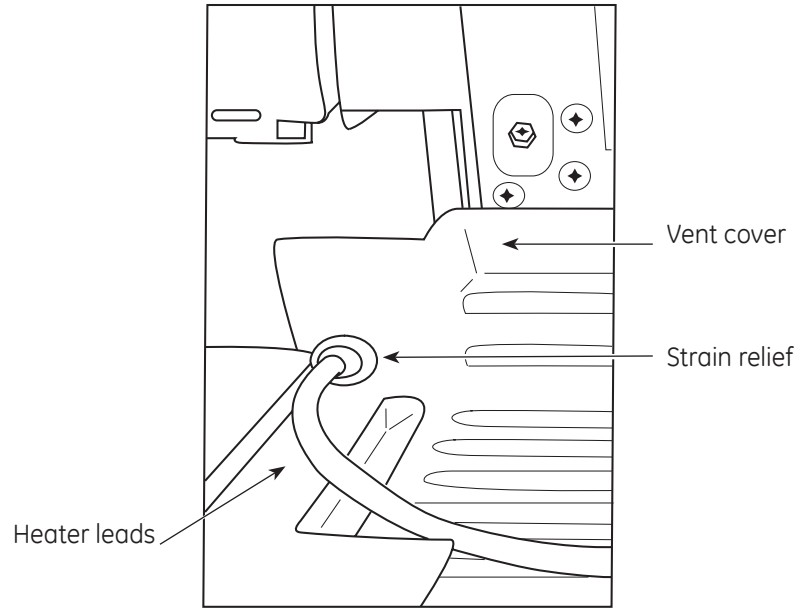


7. Refer to Installation Instructions 31-46542 included with the units. Connect water lines to units, plug units into electrical outlets, push units into cabinet enclosure and fasten to anti-tip brackets.
8. After fastening the anti-tip brackets to each unit, cut lower banding straps on Units 1 and 2 and remove foam base pad from front of units.
9. Next, the heater will be joined to the wiring of Unit 2. The heater is a low voltage, DC type heater, so this step consists of adding a transformer between line voltage and the heater, and the steps needed to mount and wire the transformer.

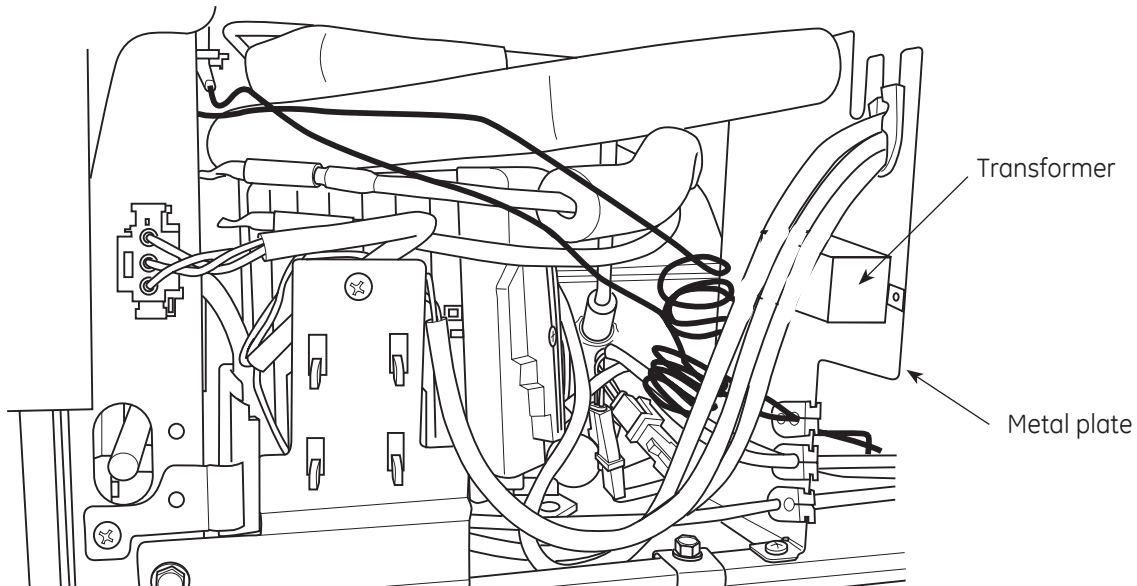
Remove toekick and air vent cover from front of Unit 2 by removing four Phillips head screws.



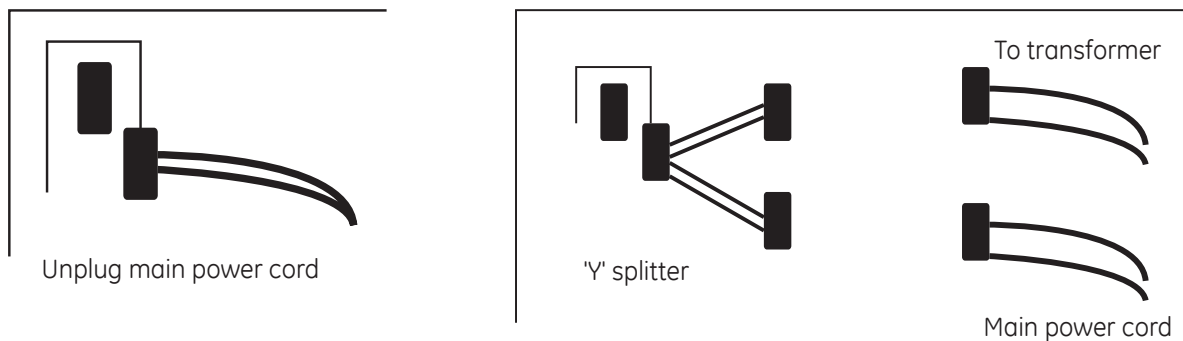
Fasten heater leads to open slot in vent cover, using the strain relief provided with the kit.



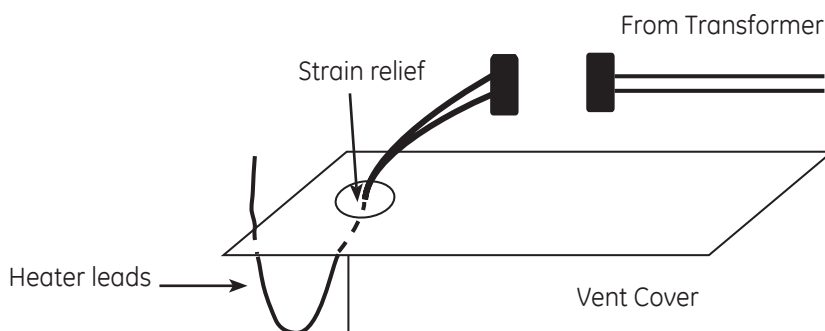
Locate the vertical, metal plate behind the vent cover. There are two holes in the plate for mounting the transformer. Locate the transformer on the plate and attach using bolts, nuts and washers supplied.



In front of unit, unplug the power cord and replace with the 'Y' splitter supplied in the kit. On the ends of the splitter, plug in the transformer (black and white leads) and the power cord plug.

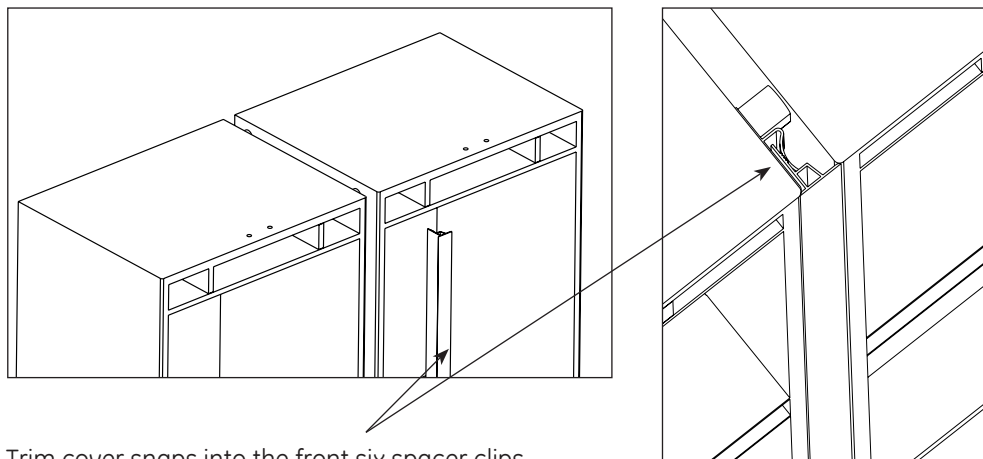


Attach heater lead wires to transformer lead wires (blue and green leads connect to the heater).



10. Reattach front toeckick and air vent cover.

11. Attach front trim piece, provided in kit, along length of units from top to bottom, by snapping into the clips that were attached in step 3).



NOTE: PRODUCT IMPROVEMENT IS A CONTINUING ENDEAVOR AT GENERAL ELECTRIC. THEREFORE, MATERIALS, APPEARANCE AND SPECIFICATIONS ARE SUBJECT TO CHANGE WITHOUT NOTICE.



GE Appliances & Lighting
General Electric Company
Louisville, KY 40225
GEAppliances.com