

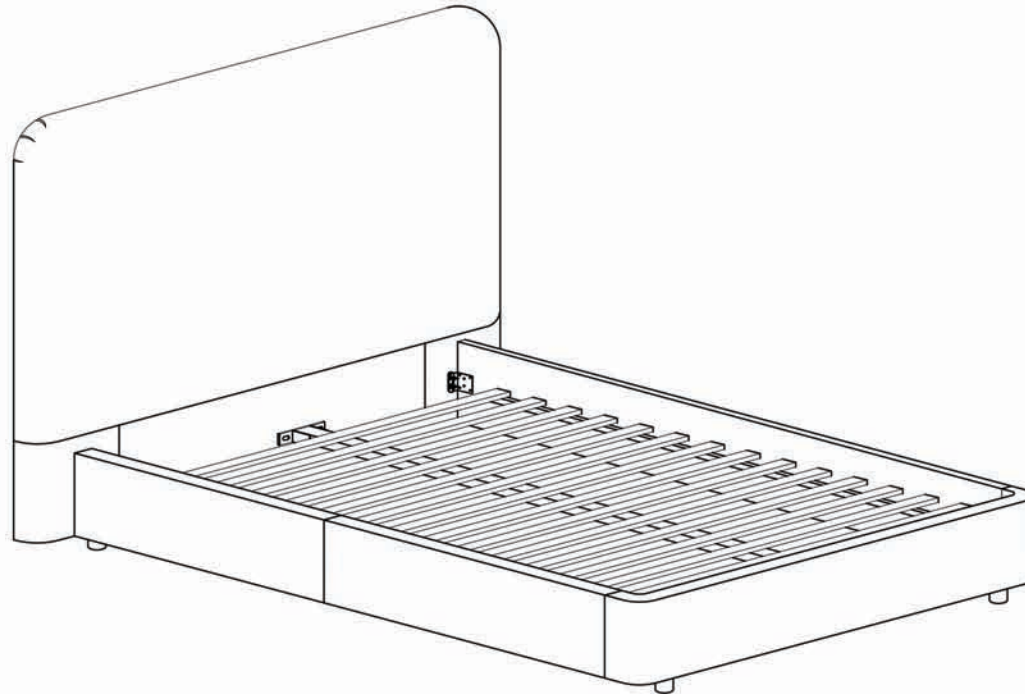
MOE'S

home collection

ASSEMBLY INSTRUCTIONS.





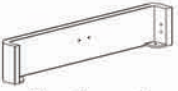
SAMARA QUEEN BED BLUE VELVET

RN-1125-26



THANK YOU FOR YOUR PURCHASE!

PARTS AND HARDWARE.

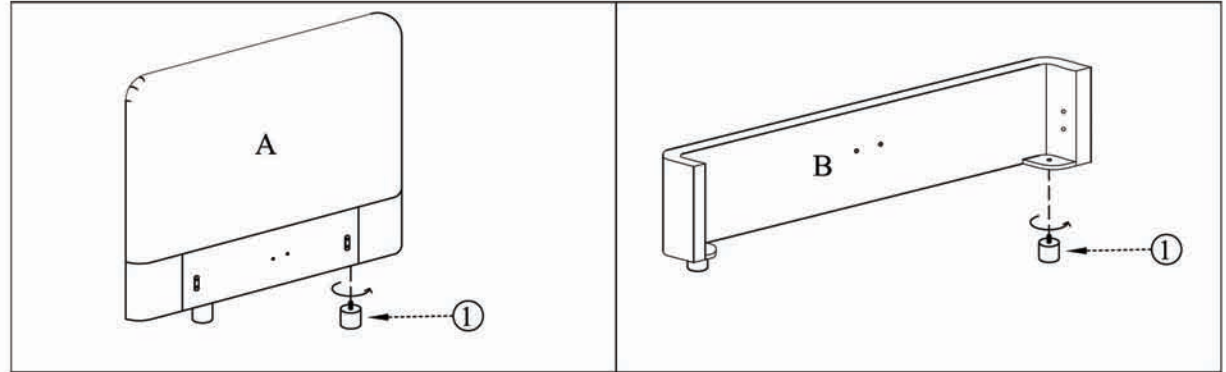
 Feet ① X 4	 Gold Bolts (m8*18) ② X 4
 Bolts(m8*20) ⑥ X 4	 Headboard A X 1
 Footboard B X 1	

NOTES.

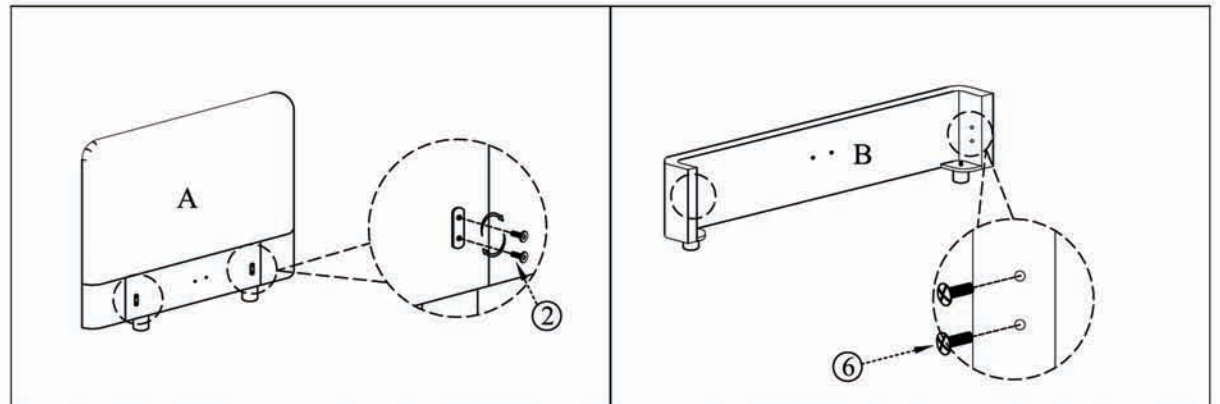
Thank you for purchasing this quality product!
Be sure to check all packing material careful for small part that may have come loose inside the carton during shipping.

CAUTION:The item is heavy,assembly should be performed by two people.



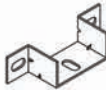





STEP 1.



STEP 2.



PARTS AND HARDWARE.

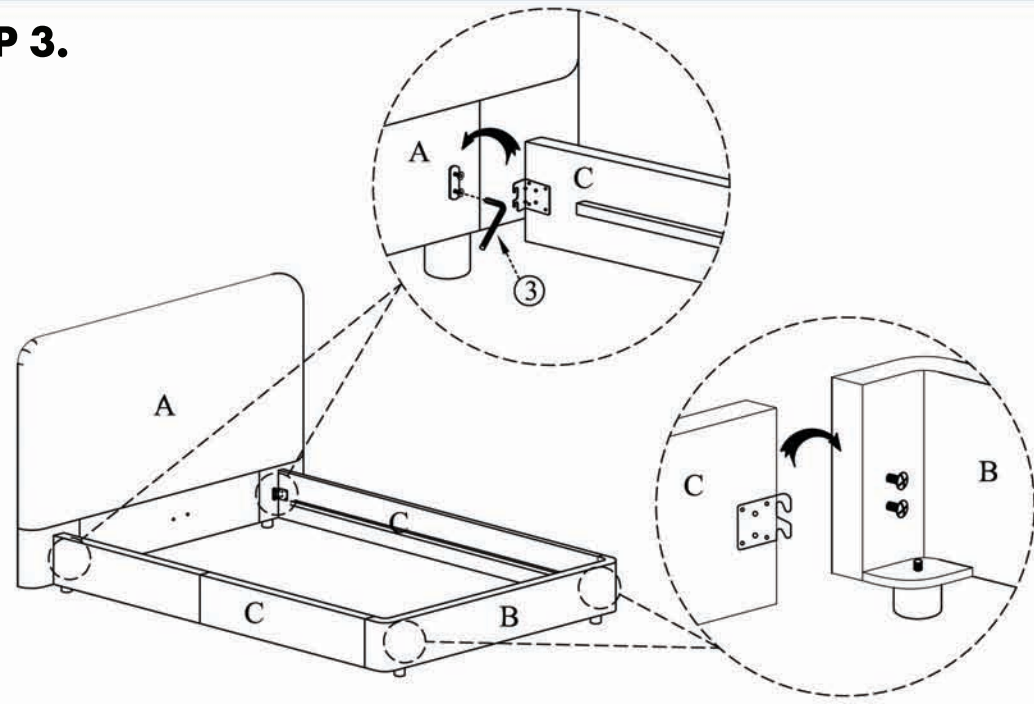
	
Allen Key ③ X 1	Washers (m8) ④ X 4
	
Brackets ⑤ X 2	Bolts(m8*20) ⑥ X 2
	
Plastic Support legs ⑦ X 2	Bolts (m8*40) ⑧ X 2
	
Side Rails C X 2	Center Support D X 1

NOTES.

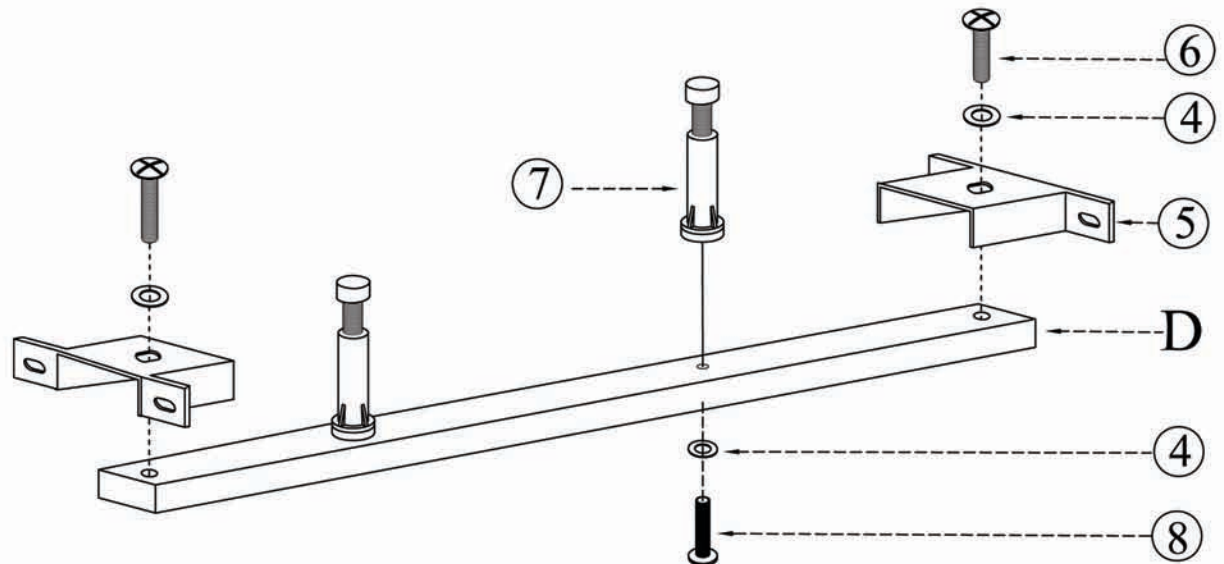
Thank you for purchasing this quality product! Be sure to check all packing material careful for small part that may have come loose inside the carton during shipping.

CAUTION:The item is heavy, assembly should be performed by two people.





STEP 3.



STEP 4.



PARTS AND HARDWARE.

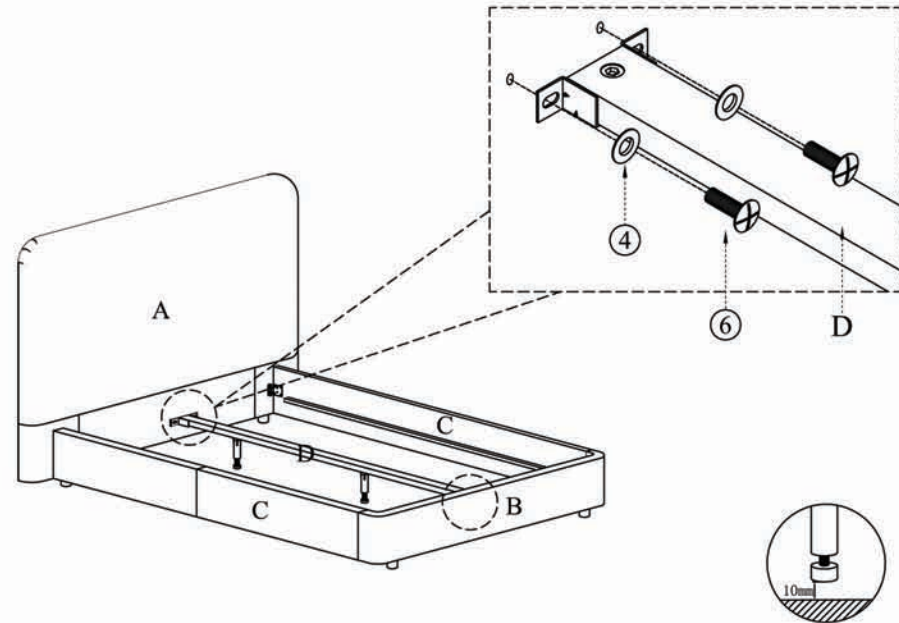
	
Washers (m8)	Bolts(m8*20)
④ X 4	⑥ X 4
	
Screws(m8*32)	Slats
⑨ X 42	E X 1

NOTES.

Thank you for purchasing this quality product! Be sure to check all packing material careful for small part that may have come loose inside the carton during shipping.

CAUTION:The item is heavy, assembly should be performed by two people.

STEP 5.



STEP 6.

