

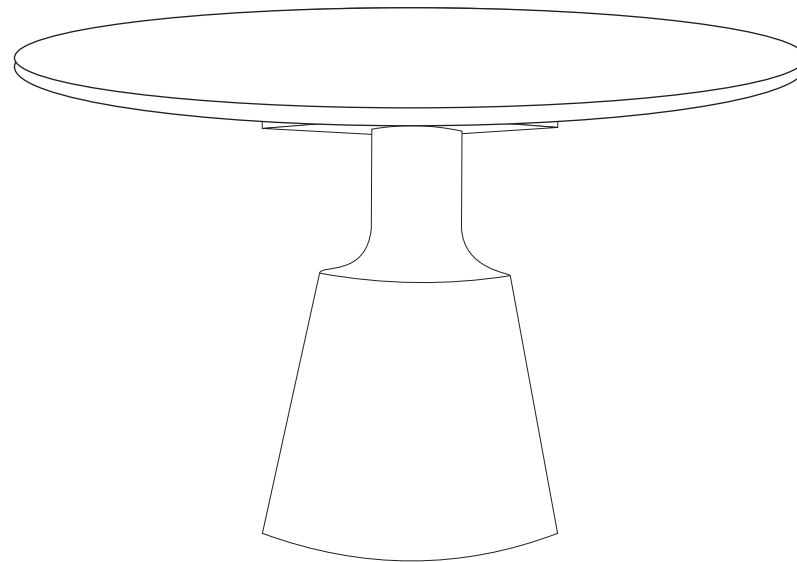
# MOE'S

home collection

## **ASSEMBLY INSTRUCTIONS.**

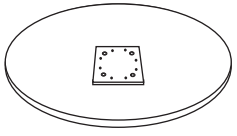
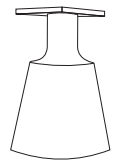

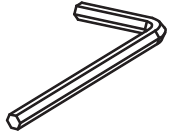
MYRON DINING TABLE

KY-1003-25

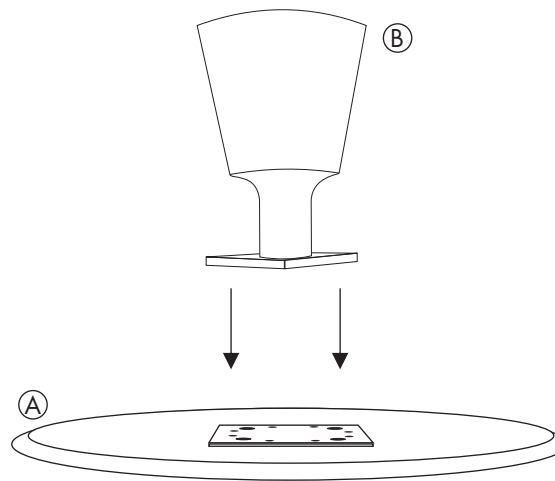


**THANK YOU FOR YOUR PURCHASE!**

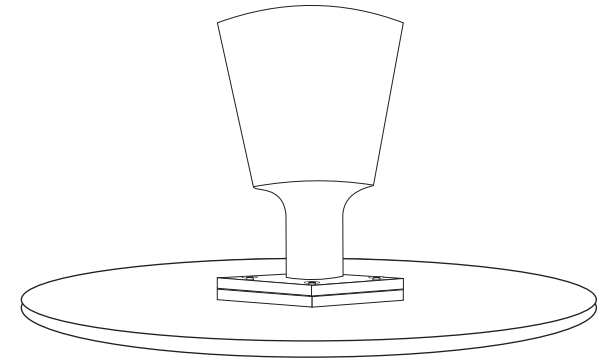
## PARTS AND HARDWARE.

<b>TOP X1 - A</b> 	<b>BASE X1 - B</b> 
<b>BOLT-8X50 MM-4</b> 	<b>ALLEN KEY X 1</b> 

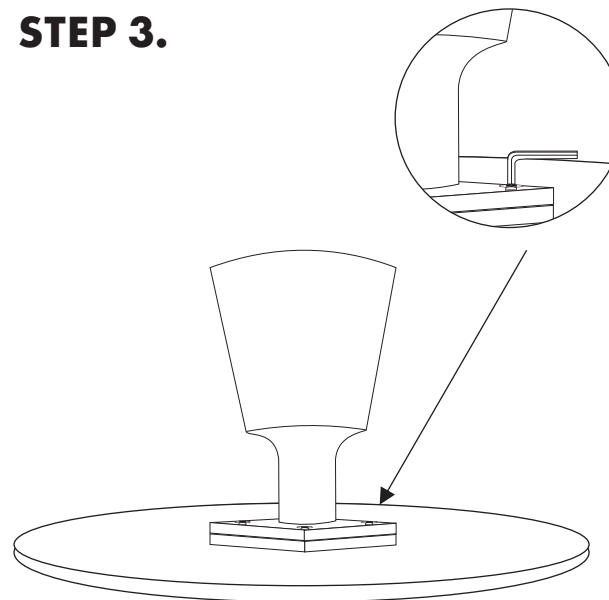
## STEP 1.



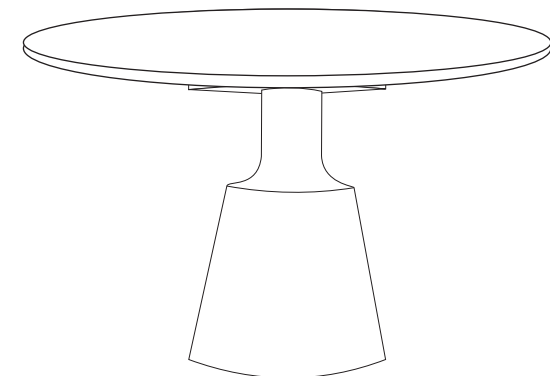
## STEP 2.



## STEP 3.



## STEP 4.



## NOTES.

Thank you for purchasing this quality product! Be sure to check all packing material carefully for small part that may have come loose inside the carton during shipping.

**CAUTION:** The item is heavy, assembly should be performed by two people.