

Installation Plan

Washing Machine





PW 6068 LP

Read **all** operation and installation instructions prior to assembly, installation, and initial operation to prevent injury and machine damage.

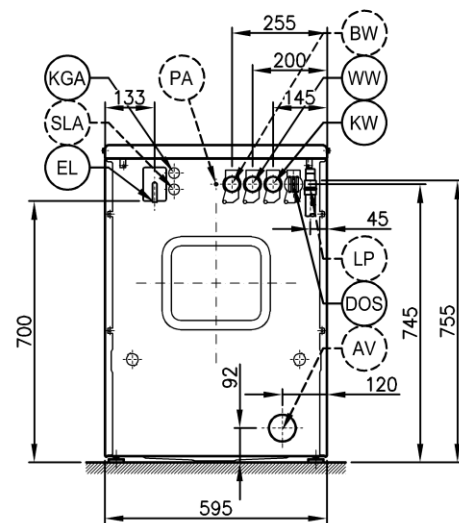
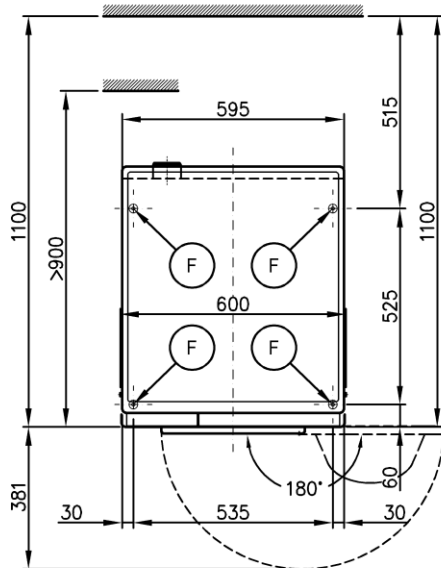
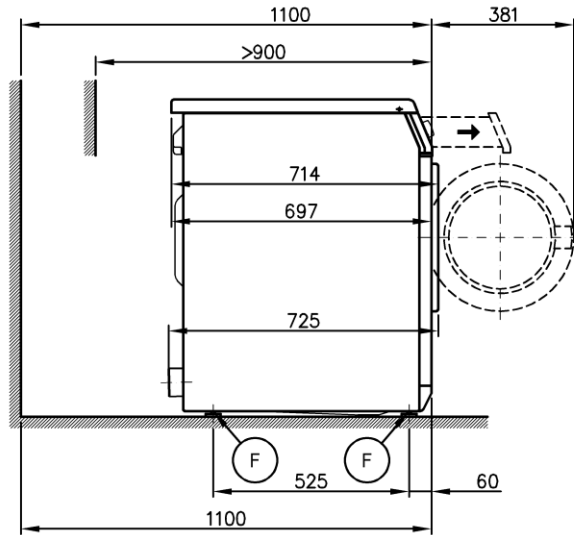
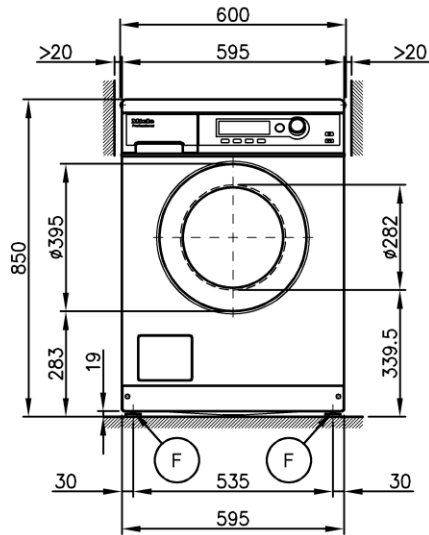
en - US

10 441 630/ 02

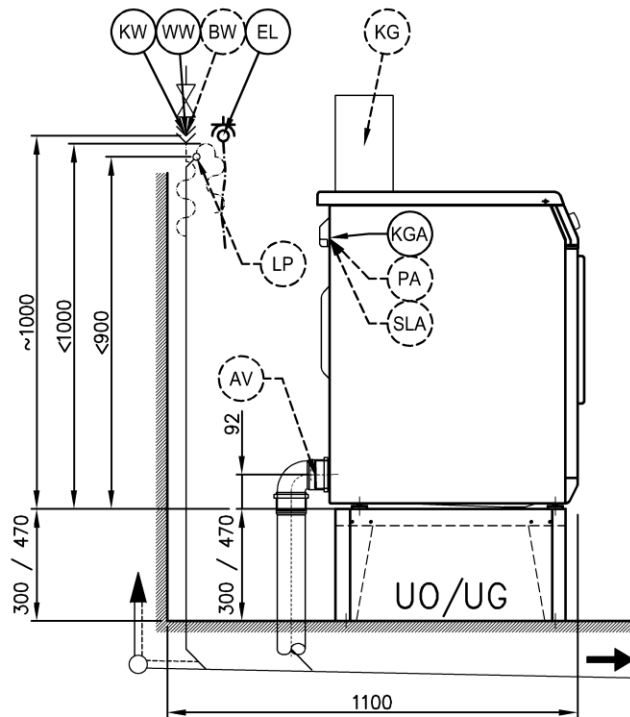
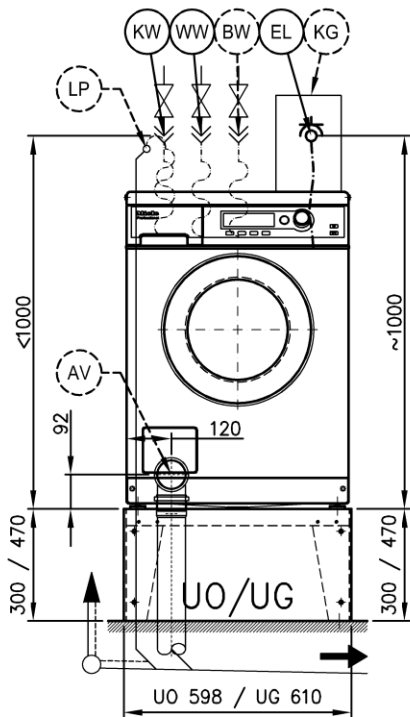
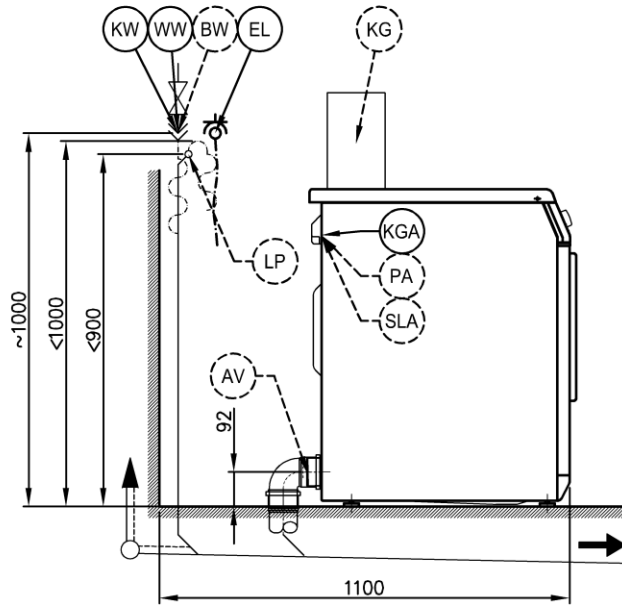
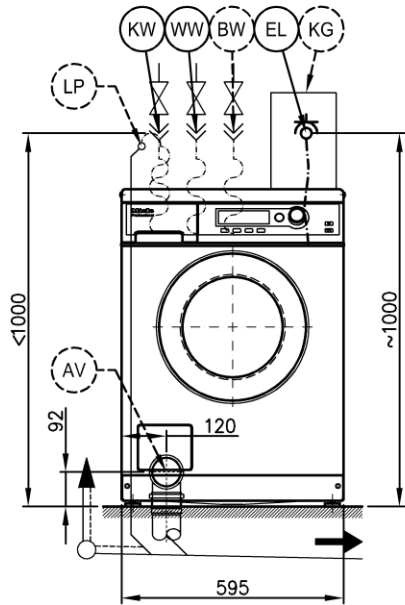
Legend:

| | | | |
|--|-----------------------------|---|--|
|  | Connection required |  | Connection optional or required for a specific model |
| AV | Drain valve | KW | Cold water connection |
| AW | Waste water connection | LP | Soap water pump |
| B | Appliance fastening | PA | Equipotential bonding |
| BW | Service water connection | SLA | Peak load connection |
| DOS | Dosing unit connection | UG | Base, closed |
| EL | Electrical connection | UO | Base, open |
| F | Adjustable appliance mounts | WTV | Washer/dryer connection |
| KG | Payment device | WW | Hot water connection |
| KGA | Payment device connection | XKM | Communication module |

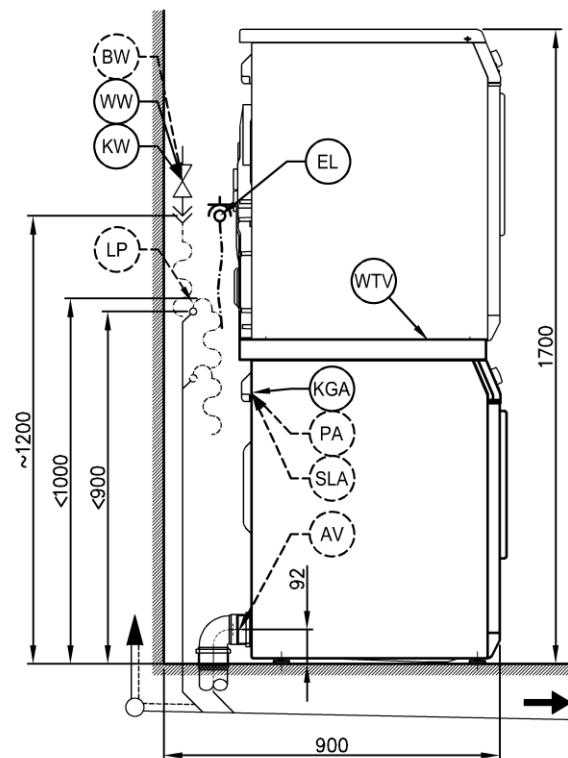
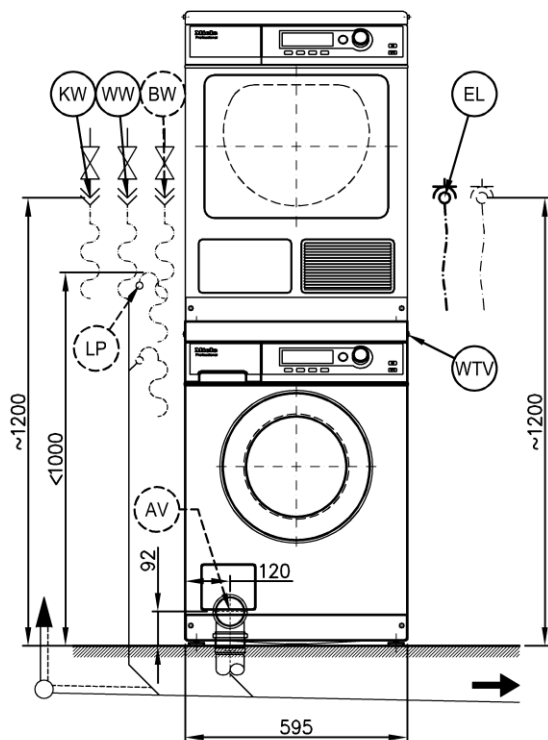
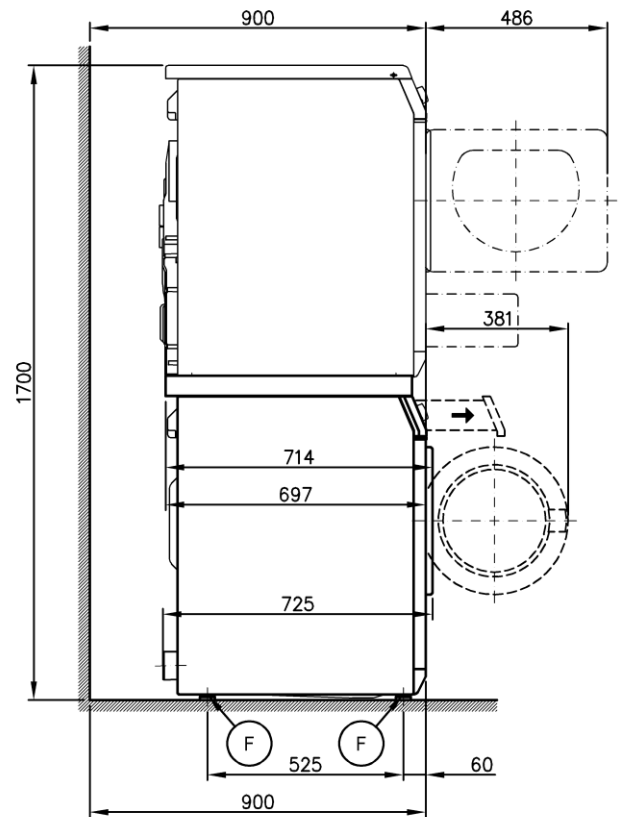
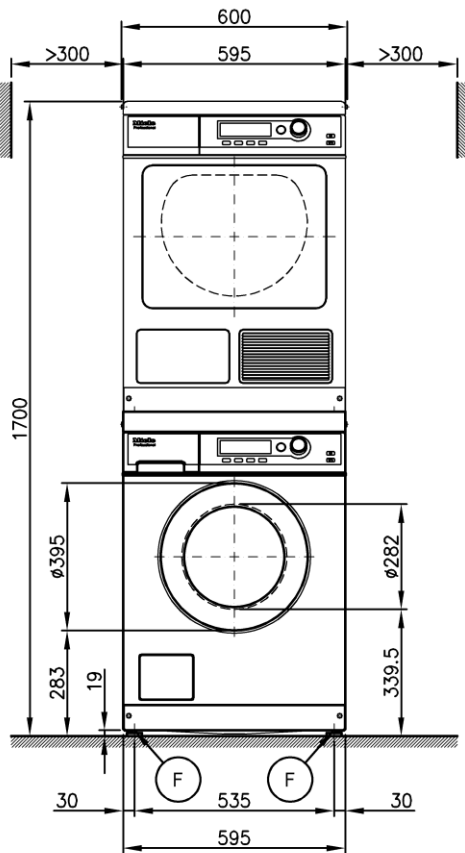
Appliance Dimensions PW 6065



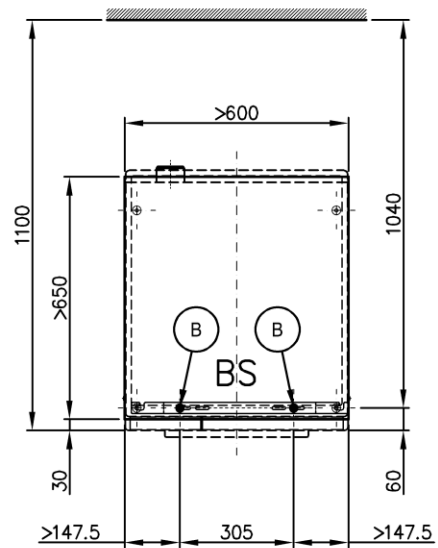
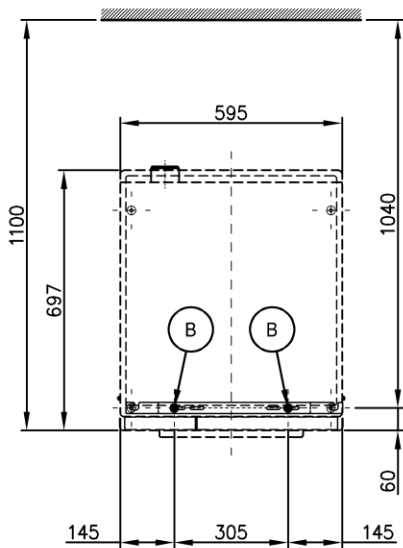
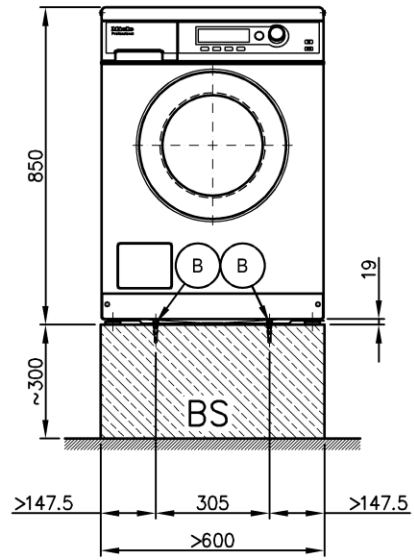
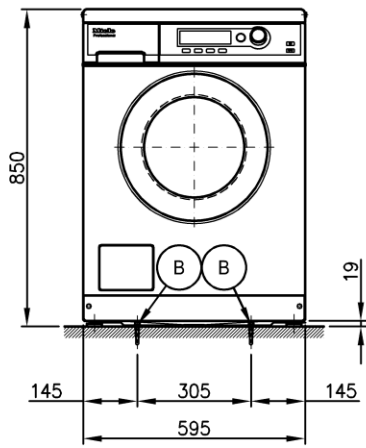
Installation PW 6068



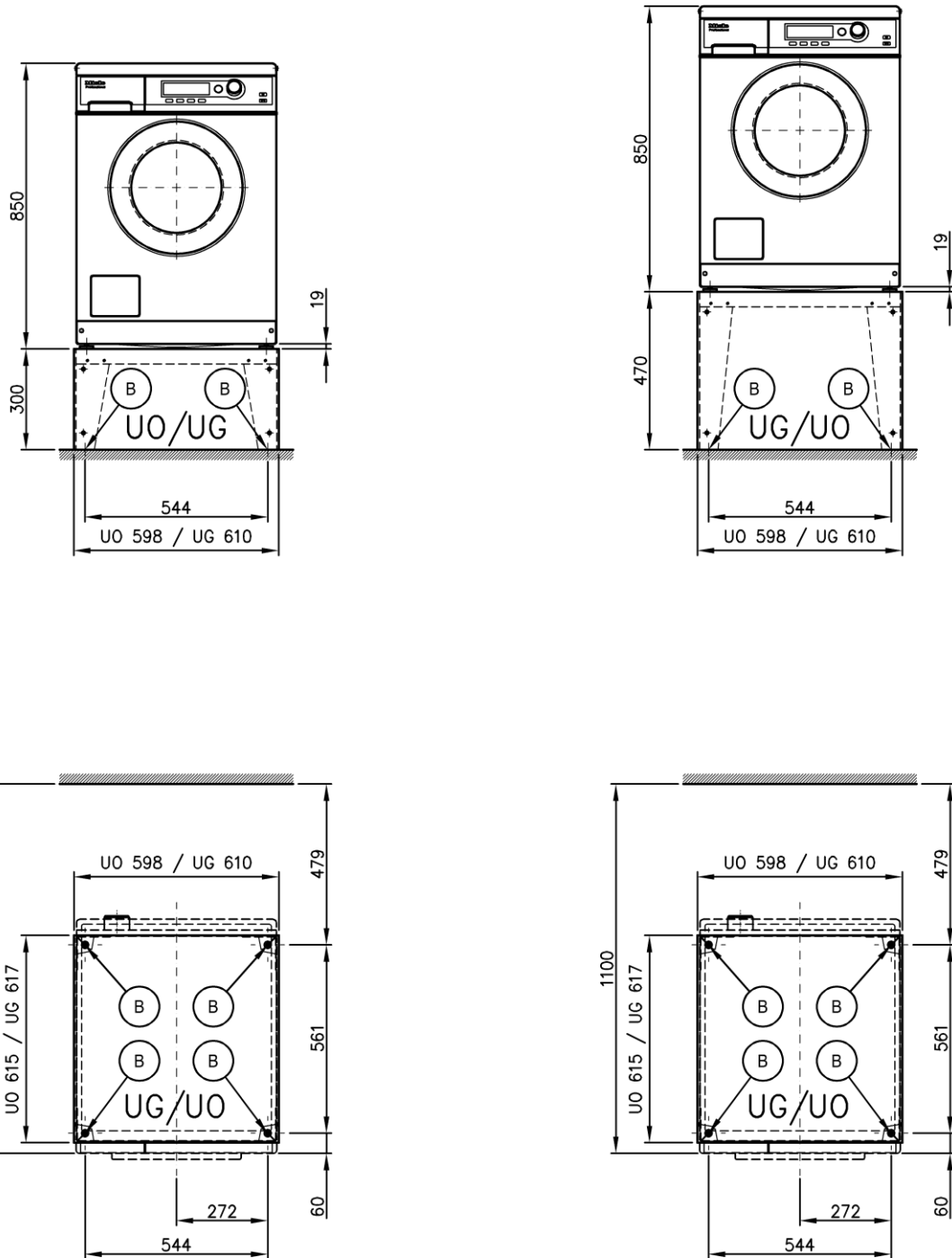
Washer/Dryer Stack PW 6068



Assembly



Assembly



Technical Data

| | PW 6068 LP |
|-----------------------------------|-------------------|
| Drum volume | 59 l |
| Filling weight | 14.3 lbs (6.5 kg) |
| Loading door, diameter | 11 1/8" (282 mm) |
| Max. spin speed | 1400 RPM |
| g-factor | 526 |
| Residual moisture (standard load) | 49% |

Electrical connection (EL)

| Standard voltage (US only) | 2 AC 208-240 V |
|---|-----------------------|
| Frequency | 60 Hz |
| Total connections | 4.0 kW - 5.2 kW |
| Fuse protection | 2 x 30 A |
| Connection cable, minimum cross-section | 10/3 AWG |
| Connection cable with plug | ● |
| Connection cable, length | 6' 6 3/4" (2000 mm) |

| Standard voltage (CDN only) | 2 AC 208 V | 2 AC 240 V |
|---|---------------------|---------------------|
| Frequency | 60 Hz | 60 Hz |
| Total connections | 4.0 kW | 5.2 kW |
| Fuse protection | 2 x 20 A | 2 x 30 A |
| Connection cable, minimum cross-section | 10/3 AWG | 10/3 AWG |
| Connection cable with plug | ● | ● |
| Connection cable, length | 6' 6 3/4" (2000 mm) | 6' 6 3/4" (2000 mm) |

Cold water (KW)

| | |
|---|-----------------|
| Permissible water flow pressure | 100 – 1000 kPa |
| Required volume flow (cold water connection only) | 11 l/min |
| Required volume flow (for additional hot water connection) | 10 l/min |
| Average water consumption (60°C standard program) | 40 l/h |
| User-supplied connection with external thread as per DIN 44991 (flat sealing) | 3/4" |
| Connection hose 1/2" with screw fitting 3/4" | ● |
| Connecting hose, length | 5' 1" (1550 mm) |

Hot water (WW)

| | |
|--|-----------------|
| Max. inlet temperature | 158°F (70°C) |
| Permissible water flow pressure | 100 – 1000 kPa |
| Required volume flow | 11 l/min |
| Average water consumption (60°C standard program) | 13 l/h |
| User-supplied connection with external thread (flat sealing) | 3/4" |
| Connection hose 1/2" with screw fitting 3/4" | ● |
| Connecting hose, length | 5' 1" (1550 mm) |

Service water (BW)

| | |
|---|-----------------|
| Kit with additional inlet valve | ○ |
| Permissible water flow pressure | 100 – 1000 kPa |
| Required volume flow | 11 l/min |
| Average water consumption (60°C standard program) | 17 l/h |
| User-supplied connection with external thread as per DIN 44991 (flat sealing) | 3/4" |
| Connection hose 1/2" with screw fitting 3/4" | ○ |
| Connecting hose, length | 5' 1" (1550 mm) |

Drain valve (AV)

| | |
|--------------------------------------|---|
| Connecting piece (external diameter) | - |
| Max. waste water temperature | - |
| Max. short-time flow volume | - |

Soap pump (LP)

| | |
|------------------------------------|------------------------|
| Hose connector (external diameter) | 7/8" (22 mm) (DN22) |
| Max. waste water temperature | 194°F (90°C) |

● = standard, ○ = optional, + = only upon enquiry, - not available

Technical Data

| | PW 6068 LP |
|--|--------------------------------|
| User-supplied hose nozzle (internal diameter x length) | 7/8" x 1 3/16" (22 x 30 mm) |
| Max. short-time flow volume | 26 l/min |
| Max. delivery head (from appliance bottom edge) | 3' 3 3/8" (1000 mm) |
| Drain hose DN22 with connector (supplied) | ● |
| Connecting hose, length | 4' 11 1/16" (1500 mm) |

Equipotential bonding (PA)

| | |
|--|---|
| Appliance connection (with separate kit) | ○ |
|--|---|

Peak load/energy management (SLA)

| | |
|--|----------|
| Appliance connection (with separate kit) | ○ |
| Connection voltage of the control contacts | AC 230 V |

Payment device connection (KGA)

| | |
|-------------------------------|---|
| Connection of payment devices | ● |
|-------------------------------|---|

Communication module (XKM)

| | |
|--|---|
| RS 232 interface (XKM module retrofit kit) | ○ |
|--|---|

Liquid dosing system (DOS)

| | |
|--|----------|
| Connection for liquid dosing media (retrofit kit required) | - |
| Connection for liquid dosing media | ● |
| Max. number of dosing pumps | Number 6 |

Installation with device mount (F)

| | |
|--|-----------------|
| Number of device mounts | Number 4 |
| Device mount, threaded height-adjustment | ± 3/16" (4 mm) |
| Device mount diameter | 1 9/16" (40 mm) |

Mounting (B)

Floor mounting, standard

| | |
|--|--------------------------------|
| Mounting kit (for 2 device mounts) with mounting bracket | ● |
| Wood screw as per DIN 571 | 1/4" x 2" (6 x 50 mm) |
| Dowel (diameter x length) | 5/16" x 1 9/16" (8 x 40 mm) |

Floor mounting, Miele base

| | |
|--|--------------------------------|
| Accessories for Miele base (fasteners supplied with product) | ○ |
| Required fastening points | Number 4 |
| Wood screw as per DIN 571 | 5/16" x 2 9/16" (8 x 65 mm) |
| Dowel (diameter x length) | 1/2" x 2 3/8" (12 x 60 mm) |

Floor mounting, elevated platform (user-provided)

| | |
|--|---|
| Floor mounting on user-supplied platform (concrete or masonry) | ○ |
| Min. platform surface (W/D) | 23 5/8" / 25 9/16" (600 mm / 650 mm) |
| Wood screw as per DIN 571 | 1/4" x 2" (6 x 50 mm) |
| Dowel (diameter x length) | 5/16" x 1 9/16" (8 x 40 mm) |

Appliance data

| | |
|--------------------------------------|---|
| Overall appliance dimensions (H/W/D) | 2' 9 7/16" / 1' 11 5/8" / 2' 9 7/16" (850 mm / 600 mm / 722 mm) |
| Housing dimensions (H/W/D) | 2' 9 7/16" / 1' 11 7/16" / 2' 3 7/16" (850 mm / 595 mm / 697 mm) |

Transport dimensions (H/W)

| | |
|--|---|
| Min. entry opening (without packaging) | 2' 11 7/16" / 1' 11 5/8" (900 mm / 600 mm) |
|--|---|

● = standard, ○ = optional, + = only upon enquiry, - not available

Technical Data

| PW 6068 LP | |
|---|-------------------------|
| Installation dimensions | |
| Min. clearance appliance to side | 13/16" (20 mm) |
| Recommended clearance appliance to side, washer/dryer stack | >11 3/4" (300 mm) |
| Min. wall clearance from appliance front | 2' 11 7/16" (900 mm) |
| Recommended min. wall clearance from appliance front | 3' 7 5/16" (1100 mm) |
| Weights and loads | |
| Appliance weight (net weight) | 234 lbs (106 kg) |
| Max. floor load during operation | 2820 N |
| Max. static floor load | 1455 N |
| Max. dynamic floor load | 1365 N |
| Drum max. rotary frequency | 22 Hz |
| Appliance emissions | |
| Emission sound pressure level at a workplace | <70 dB(A) |
| Heat emission into the installation space | 250 W |

Options / Accessories

| | Features |
|--|---|
| Base, closed (UG) | |
| Base closed, H 11 13/16" (300 mm) (UG 5005) | Base galvanized, stainless steel side panels |
| Base closed, H 1' 6 1/2" (470 mm) (UG 5005-47) | Base galvanized, "octoblu" heat cure coated side panels |
| Base closed, H 2' 5 1/2" (750 mm) (UG 5005-75) | Base galvanized, "octoblu" heat cure coated side panels |
| Base, open (UO) | |
| Base open, H 11 13/16" (300 mm) (UO 5005) | Base galvanized, "octoblu" heat cure coated surface |
| Base open, H 1' 6 1/2" (470 mm) (UO 5005) | Base galvanized, "octoblu" heat cure coated surface |
| Washer/dryer connection (WTV) | |
| Stainless steel kit (WTV 5062) | Kit for the connection of washer and dryer |
| "Lotus white" kit (WTV 5061) | Kit for the connection of washer and dryer |
| Payment devices (KG) | |
| Single-unit operation (C 4060) | Payment device for tokens, program operation only |
| Single-unit operation (C 4065) | Payment device with coins, time and program operation |
| Single-unit operation (C 4070) | Payment device for coins and tokens, time and program operation |
| Multi-unit operation (C 5200 BT) | Basic unit, debit card payment device (for max. 8 terminals) |
| Remote bundle (ABT 5220) | Terminal monitoring with Bluetooth communication (required for each terminal) |
| Accessories | |
| Peak load/energy management connection (BSS) | Connection for peak load and energy management functions |
| Equipotential bonding kit | The assembly kit can be ordered from Customer Service. |
| XKM communication module (XKM RS 232-10) | Retrofit kit XKM module with RS 232 incl. installation kit |

Installation and planning notes

Installation prerequisites

The appliance must be connected only to a system designed in accordance with national legislation, regulations and directives, as well as local codes and standards.

In addition, all regulations by utilities, accident prevention regulations, insurance guidelines and recognized codes of practice valid at the installation site must be adhered to.

Transport and placement

The washing machine must not be transported without transport safety. Do not discard the transport safety, because you will have to reinstall it prior to transporting the washing machine (during a move, for example).

General conditions of operation

Ambient temperature of the installation space: +35°F (2°C) to +95° (35°C).

Depending on the properties of the installation site, noise and/or vibrations may be transmitted into the building. It is recommended to have a noise protection expert examine the appliance's installation site when more stringent demands on sound insulation are made.

Electrical connection

Depending on the design, the appliance may be fitted with a connection cable with or without a plug.

The appliance must be connected only to an electric supply designed in accordance with national and local regulations. The installation must be performed by a qualified electrician.

The appliance data plate indicates the nominal power consumption and the appropriate fuse capacity. Compare the specifications on the data plate with those of the electrical power supply.

The appliance can be connected either via a permanent connection or a plug-in connection. However, we recommend connecting the appliance via a plug connection so that an electrical safety check can be carried out, e.g. during repair or maintenance.

If a permanent connection is intended, an all-pole disconnection device must be provided at the installation side. Disconnect devices may be switches with a contact gap of more than 3 mm, such as MCBs, fuses and guards.

The plug-in connection or disconnect device must be accessible at all times. You must be able to lock the separator or monitor it at all times in case the appliance has to be disconnected from the power supply.

Only a certified or approved electrician may perform the initial installation of the connection, change the system or inspect the ground conductor, including a determination of the correct protection, because they are familiar with the relevant regulations and the particular requirements by the electrical utility.

Comply with the switch-over instructions on the wiring diagram when switching the appliance to a different voltage. Only authorized distributors or Miele customer service representatives may convert the appliance. In this event, it is also necessary to adjust the heat output.

Devices for an automatic shut-down of the appliance (such as timers) must not be installed.

The conductor cross-section information in the technical data refers only to the required connecting cable. Refer to the applicable national and local regulations for calculating the other dimensions.

Cold water connection

You may connect the washing machine to a drinking water system without a backflow preventer because it has been designed according to the applicable standards for drinking water protection.

For the connection, you require a water shut-off valve or a tap with connecting thread. If such is missing, only an authorized plumber may connect the appliance to the drinking water pipe.

A suitable connection hose with screw fitting is supplied with the appliance.

Authorized Miele distributors and Miele Customer Service representatives can provide you with hoses of 8' 2 ½" or 13' 1 ½" (2.5 or 4 m) length to extend the hose.

10 441 630/ 02

Hot water connection

The connection conditions for the hot water connection to up to 158°F (70°C) are the same as those for the cold water connection.

A suitable connection hose with screw fitting is supplied with the appliance.

The appliance may be connected to a hot water system from 158° (70°C) to 185° (85°C) max., however, you will require a special heat-resistant inlet hose.

Purchase this inlet hose from a Miele authorized distributor or Miele Customer Service. In addition, the appliance must be programmed correspondingly by Miele Technical Service or an authorized dealer.

For functional reasons, it is not possible to connect the appliance to a hot water supply only.

If the building does not have a hot water supply, the hot water connection must be connected to an existing cold water supply.

Alternatively, close the hot water connection with the supplied dummy cap and convert the appliance controller to cold water inlet.

In this event, you must add the water demand for hot water to the cold water demand.

Service water connection

The service water connection can be optionally retrofitted using an additional kit.

The same connection conditions as for the cold water connection apply.

Soap water pump

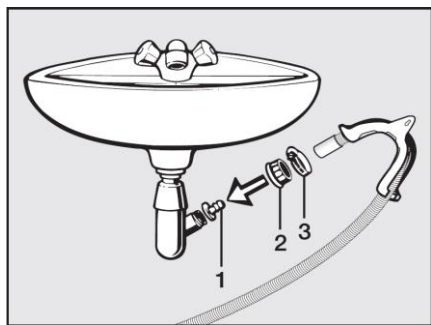
The appliance drains through a pump with a 1 m delivery head. For the water to drain freely, the hose must be free of kinks. The elbow at the hose end can be rotated and removed, if necessary.

Water drain options:

1. Direct connection to a plastic pipe with rubber sleeve (syphon not mandatory).
2. Attach to a sink with a plastic fitting
3. Drain into a floor drain (gully).

Permanent connection of the drain hose to a sink syphon

You may permanently connect the drain hose to a special sink syphon.



If necessary, the hose may be extended to a maximum length of 5 m. Accessories are available from an authorized Miele dealer or Miele Technical Service.

For delivery heads over 3' 3 3/8" (1 m) (up to a max. of 5' 10 7/8" / 1.8 m), contact your Miele dealer or Miele Customer Service for a drain pump.

Equipotential bonding

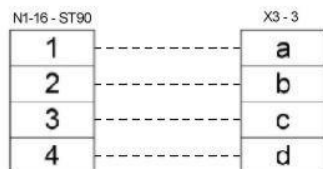
Depending on the local and national installation regulations, you may have to create equipotential bonding with proper contact connection.

The connection material for a necessary equipotential bonding can be ordered as an assembly kit from Miele Service or supplied by the user.

Peak load/energy management

Using an optional kit, you may connect the appliance to a peak load or energy management system.

The appliance provides 3 signal contacts with mains potential and a neutral conductor on terminal strip, which is identified with a, b, c, and d.



- a - Output signal: machine operation starts
- b - Output signal: machine requests heating
- c - Input signal peak load: machine switches heater
- d - Neutral conductor

When the peak load function is activated, the heating is switched off and the program is stopped. The display returns a corresponding message.

Upon the end of the peak load function, the program automatically resumes.

Liquid dosing connection

You can use external liquid dosing pumps with low-level sensor for the dosing of liquid detergents.

You can only use dosing pumps with internal controller and/or programming option for liquid dosing.

Always note the manufacturers' instructions when using and combining detergents and special products.

Payment device

The washing machine can be fitted with a single payment device as an optional accessory. Only an authorized Miele dealer or the Miele Service may program the appliance for this function.

Alternatively, you can use a wireless multi-station system for maximum 8 terminals with a debit card payment device and additional controllers for terminal monitoring.

Serial interface

The serial interface is provided with an additional integrated XKM RS323 module.

The data interface leading from the XKM RS232 module is compliant with SELV (safety extra-low voltage). Any connected external devices must also comply with SELV.

The pluggable module is supplied with a connecting cable and a D-sub plug for further connection.

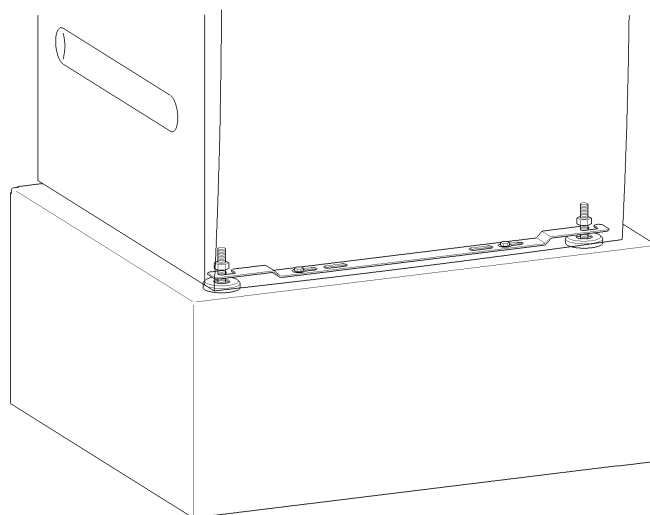
Installation and fastening

The machine must be installed on a level, horizontal, and solid surface which is capable of withstanding the specified stresses.

The floor load caused by the appliance affects the installation surface as point load in the area of the device mounts.

Positional stability of the appliance is mandatory.

Use the adjustable mounts to horizontally align the appliance length- and crosswise.



Use the supplied mounting bracket to attach the two front mounts of the appliance to the floor. The fixing material is designed for a dowel attachment to concrete flooring.

The user must provide fixing material for any different flooring design.

Platform installation

The washing machine may be installed on a base (open or closed compartment) which may be optionally purchased from Miele. It may also be installed on a user-supplied concrete platform.

The quality of the concrete and its strength must be assessed according to the machine load. Ensure that the on-site concrete platform has an adequate grip on the substrate.

If the washing machine is installed on a user-supplied platform (concrete or masonry), you must secure the machine with the mounting bracket to prevent the possibility of the washing machine toppling off the platform during the spin cycles.

Washer/dryer stack

The Miele washing machine can be installed in combination with a Miele dryer as part of a washer-dryer stack. For this purpose, you require a connection kit (WTV) which can be optionally purchased.

Only an authorized specialist or Miele Service representative may install the connection kit.