

Miele

48" Rangetop

KMR 1354-1 G/LP, KMR 1355-1 G,

KMR 1356-1 G/LP



Shown: KMR 1356-1 G under DAR 1150
Please note: This information is subject to change

mieleusa.com
Specification Sheet TRS 04252018

48" Rangetop

SPECIFICATIONS										
Overall Unit Dimensions	47 ¹⁵ / ₁₆ " (1220 mm) W x 7 ¹ / ₂ " (191 mm) H [Not including grates] x 26 ¹ / ₂ " (673 mm) D [Depth to control panel]									
Niche										
Minimum Cabinet Niche Opening	48" (1220 mm) W x 25 ¹ / ₁₆ " (636.6 mm) D [To back of control panel]									
Minimum Support Thickness	³ / ₄ " (19 mm)									
Gas										
Gas Line Connection	1/2" NPT									
Operational Altitudes										
High Altitude	Miele Natural Gas and LP Rangetops will function up to 9,800 ft. in altitude without adjustment; the following exception will function up to 6,500 ft. in altitude without adjustment: <ul style="list-style-type: none"> •Griddle in LP: KMR 1356-1 LP •Grill in G: KMR 1355-1 G If an installation exceeds these elevations, please contact rangejetkit@mieleusa.com.									
Electrical										
Electrical Requirements	120V, 60Hz, 15 Amps									
Power Cord	Yes - NEMA 5-15 plug, 4 ft (1.2 m) long									
Shipping	<table border="0" style="width: 100%;"> <tr> <td style="width: 33%; text-align: center;">KMR 1354-1</td> <td style="width: 33%; text-align: center;">KMR 1355-1</td> <td style="width: 33%; text-align: center;">KMR 1356-1</td> </tr> <tr> <td style="text-align: center;">Shipping Weight</td> <td style="text-align: center;">Shipping Weight</td> <td style="text-align: center;">Shipping Weight</td> </tr> <tr> <td style="text-align: center;">165.3 lbs (75 kg)</td> <td style="text-align: center;">174.2 lbs (79 kg)</td> <td style="text-align: center;">187.4 lbs (85 kg)</td> </tr> </table>	KMR 1354-1	KMR 1355-1	KMR 1356-1	Shipping Weight	Shipping Weight	Shipping Weight	165.3 lbs (75 kg)	174.2 lbs (79 kg)	187.4 lbs (85 kg)
KMR 1354-1	KMR 1355-1	KMR 1356-1								
Shipping Weight	Shipping Weight	Shipping Weight								
165.3 lbs (75 kg)	174.2 lbs (79 kg)	187.4 lbs (85 kg)								
Installation Accessories										
12" Backguard	RBGAG1248									
20" Backguard	RBGAG2048									
40" Backsplash	RBS48									
Support										
Call	800.843.7231									
Miele Website	www.mieleusa.com									
20/20 Link	2020technologies.com									

Only Burners:



KMR 1354-1
Item 26135460USA

KMR 1354-1 LP
Item 26135461USA

With Grill:



KMR 1355-1
Item 26135560USA

With Griddle:



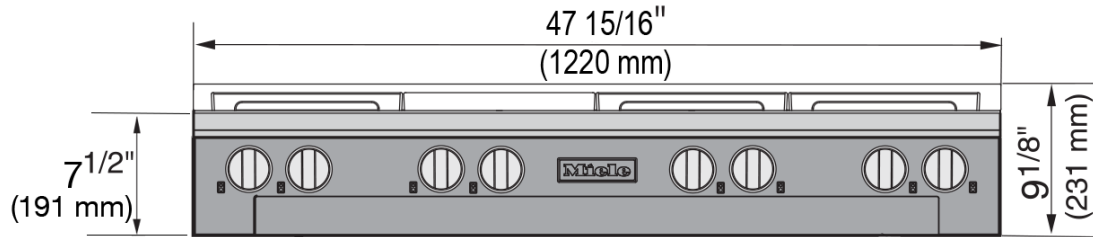
KMR 1356-1
Item 26135660USA

KMR 1356-1 LP
Item 26135661USA

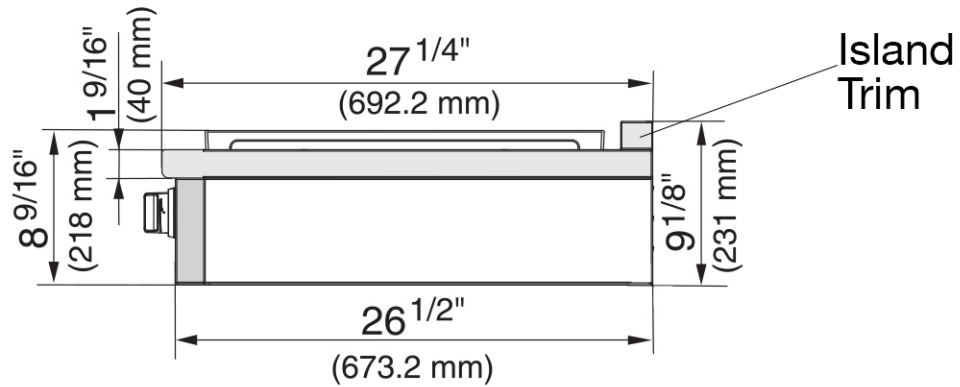
48" Rangetop

PRODUCT VIEWS

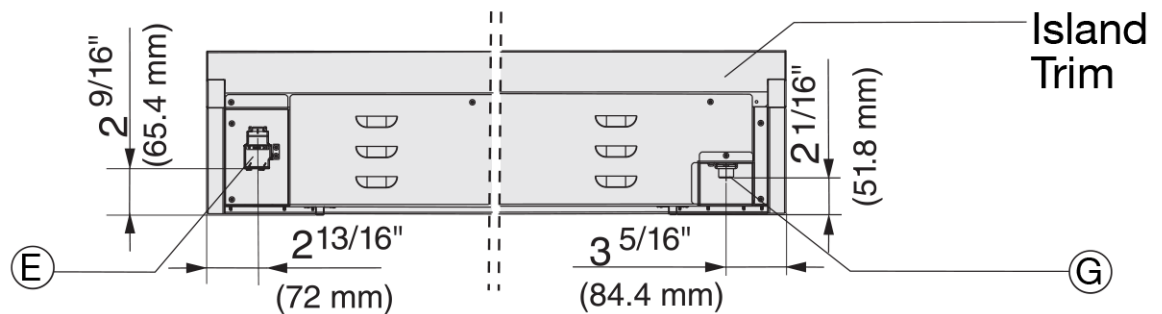
Front View



Side View



Rear View



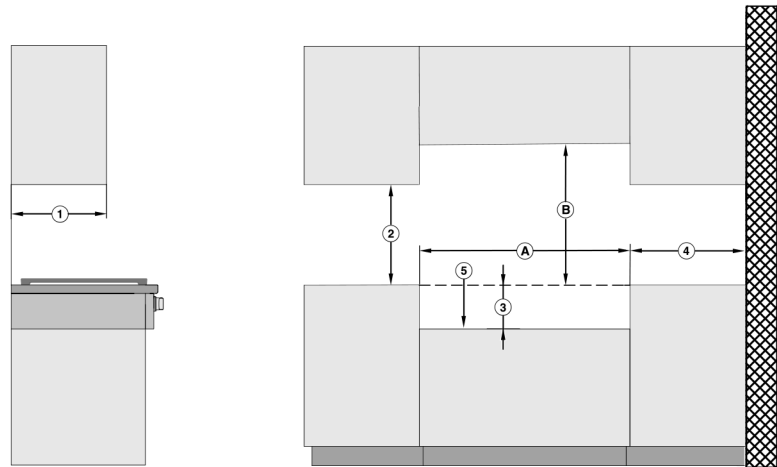
Length of power cord is 4 ft. (1.2m)

E = Electrical connection

G = Gas connection

48" Rangetop

48" Rangetop BTU Output	
KMR1354-1 Burners	
Gas Burners:	(2) 10,000 BTU (G/LP) (2) 13,600 BTU (G) 13,000 BTU (LP); (4) 19,500 BTU (G/LP)
Total BTU Output	125,200 BTU (G) 124,000 BTU (LP)
KMR1355-1 Burners	
Gas Burners:	(2) 10,000 BTU (G); (1) 13,600 BTU (G); (3) 19,500 BTU (G)
Grill Burner:	19,000 BTU (G)
Total BTU Output	111,100 BTU (G)
KMR1356-1 Burners	
Gas Burners:	(2) 10,000 BTU (G/LP); (1) 13,600 BTU (G) 13,000 BTU (LP);; (3) 19,500 BTU (G/LP)
Griddle Burner:	13,000 BTU (G) 14,300 BTU (LP)
Total BTU Output	105,100 BTU (G) 105,800 BTU (LP)



Position	Dimensions	Description
①	13" (330 mm)	Maximum depth of top cabinet
②	18" (457 mm)	Minimum distance to bottom edge of top cabinet
③	7 ¹ / ₂ " (190.5 mm)	Distance between the top edge of the countertop and the top edge of the support base
④	10" (254 mm)	Minimum distance to combustible surfaces
⑤		Support base ¹⁾
Ⓐ	min. 48" (1220 mm)	Niche width
Ⓑ	37" (940 mm)	Minimum distance between the top of the cooking area and the bottom of an unprotected combustible surface.
	30" (762 mm)	Minimum distance between the top of the cooking area and the bottom of the Miele Range Hood (DAR model with DRxB XXL blower).
	Refer to the Installation instructions for the Miele ventilation hood, Appliance dimensions (Distance between cooktop and ventilation hood (S)). For all other hoods please consult the manufacturer's specifications for required distances.	

1) The support base must have a minimum thickness of ³/₄" (19.05 mm).
At the rear right of the support base, a cut-out of 5 1/8" x 7 1/8" (130 mm x 80 mm) must be provided (gas connection) and, at the rear left, a cut-out of 4 6/8" x 1 9/16" (120 mm x 40 mm) (electrical connection).

Note:
Please observe safe distances to rear combustible surfaces of 12" (305 mm) clearances. For zero clearance installation, Miele Backguards will satisfy the required distance to combustible surfaces. The Miele Backguard is available in 12" (305 mm) or 20" (508 mm) heights.