

Miele

30" All Gas Range

HR 1124 G/LP

30" Dual Fuel Range

HR 1724 DF G/LP

HR 1924-2 DF G/LP



30" All Gas and Dual Fuel Range

SPECIFICATIONS			
Overall Unit Dimensions	29 ¹⁵ / ₁₆ " (760 mm) W x 35 ¹ / ₂ " — 37" (902 — 940 mm) H x 26 ¹ / ₂ " (678 mm) D [Depth to control panel]		
Oven Door Clearance	25" (635 mm)		
Niche			
Minimum Cabinet Niche Opening	30" (762 mm) W x 35 ¹ / ₂ " (902 mm) H		
Gas			
Gas Line Connection	1/2" NPT		
Operational Altitudes			
High Altitude	Miele Natural Gas and LP Ranges will function up to 9,800 ft. in altitude without adjustment. If an installation exceeds these elevations, please contact rangejetkit@mieleusa.com.		
Electrical	HR 1124	HR 1724 DF	HR 1924-2 DF
Electrical Requirements	120V, 60Hz, 15A	120/208-240V, 60Hz, 30A	
Power Cord	NEMA 5-15p, 5' 11" (1.8m)	NEMA 14-30p, 5' 11" (1.8m)	
Plumbing	HR 1124	HR 1724 DF	HR 1924-2 DF
Plumbing Requirements	-	-	An Inline water filter, like activated carbon, is required to reduce mineral deposits. Do not connect to a Reverse Osmosis (RO) water system. Connect to a cold water supply only. Must be connected to a shut-off valve. The water shut-off valve must be accessible after installation. The water pressure must be between 14.5 and 145 psi (1 and 10 bars). If the pressure is higher, install a pressure reducing valve.
Plumbed Hose Connection	-	-	Supplied hose: flexible braided 4'11" (1.5 m) with 3/8" O.D. compression fitting for connection to a shut off valve. The total hose length must not exceed 24.5 ft. (7.5 m).
Shipping	HR 1124	HR 1724 DF	HR 1924-2 DF
Shipping Weight	337.3 lbs (153 kg)	385.1 lbs (174.7 kg)	
Shipping Dimensions	7 ⁷ / ₁₆ " (950 mm) W x 52" (1,294 mm) H x 31 ¹ / ₂ " (800 mm) D		
Installation Accessories	HR 1124	HR 1724 DF	HR 1924-2 DF
12" Backguard	RBGAG1230	RBGDF1230	
20" Backguard	RBGAG2030	RBGDF2030	
40" Backsplash	RBS30	RBS30	
Support			
Call Miele	(800) 999-1360		
Miele Website	www.mieleusa.com		
20/20 Link	2020technologies.com		

All Gas:



HR 1124
Item 25112451USA

HR 1124 LP
Item 25112452USA

Dual Fuel:



HR 1724 DF
Item 25172451USA

HR 1724 DF LP
Item 25172452USA

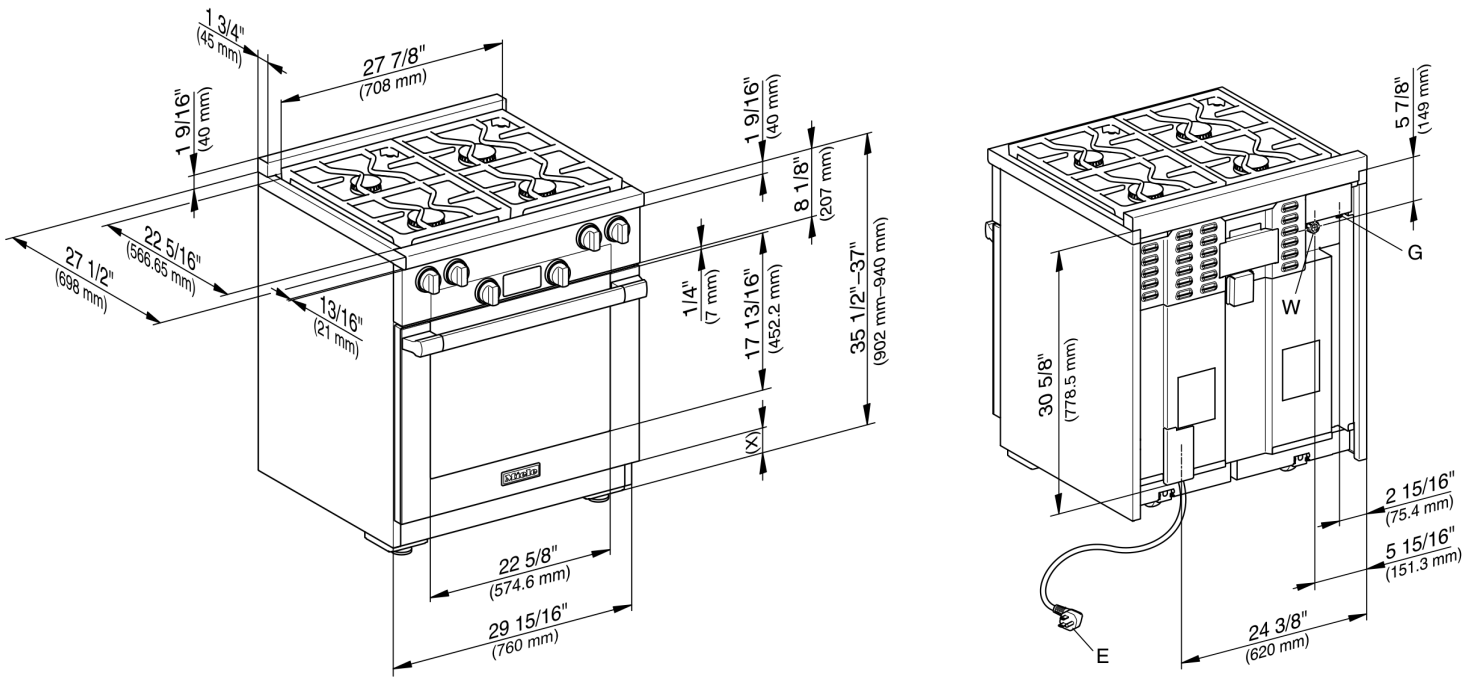


HR 1924-2 DF
Item 25192471USA

HR 1924-2 DF LP
Item 25192472USA

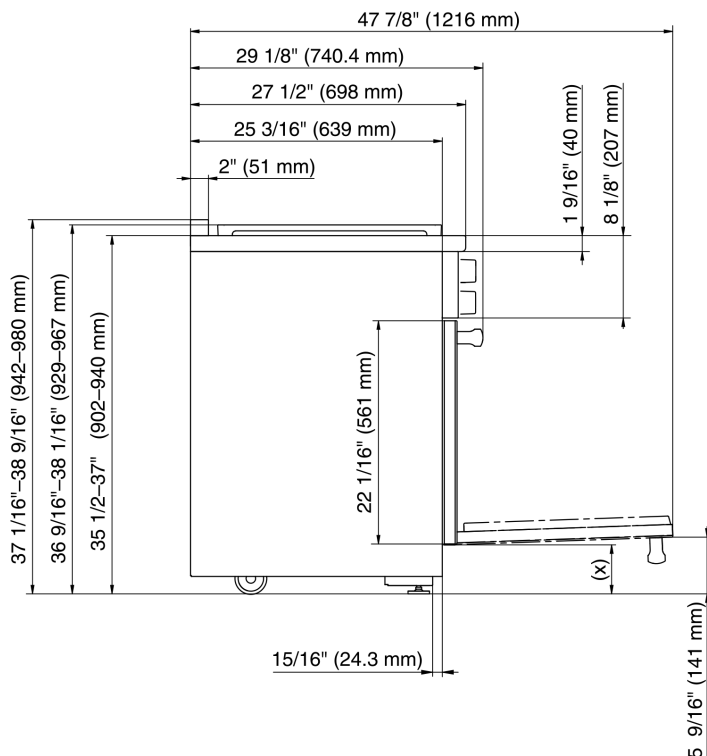
30" All Gas and Dual Fuel Range

PRODUCT DIMENSIONS

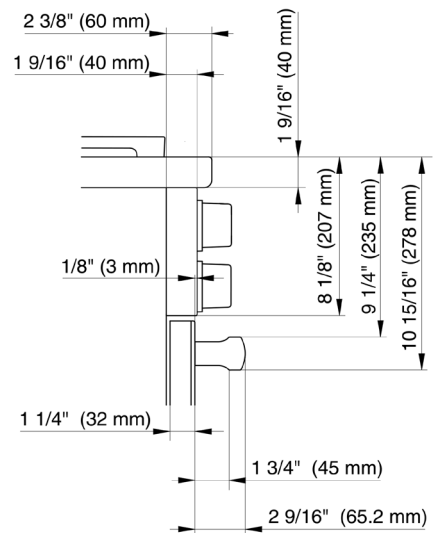


- (x) = Toe-kick height adjustment 5" - 6 1/2" (127 mm - 165.1 mm)
- E = Electrical connection
- G = Gas connection
- W = Water connection (HR 1924-2 Only)

SIDE VIEW



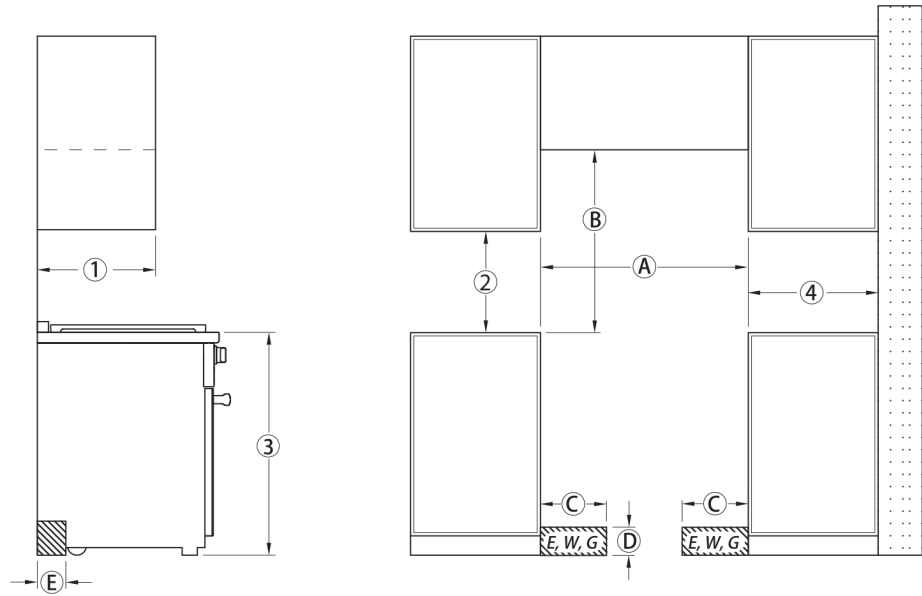
BULLNOSE DETAILS



- (x) = Toe-kick height adjustment 5" - 6 1/2" (127 mm - 165.1 mm)

30" All Gas and Dual Fuel Range

All Gas & DF 30" Range BTU Output	
HR1x24 Burners	
Gas Burners:	(1) 12,500 BTU (G/LP); (3) 19,500 BTU (G/LP)
Total BTU Output	71,000 BTU (G/LP)
Oven Burners (HR1124 Only)	
Oven Top Burners	22,000 BTU (G); 20,150 BTU (LP)
Oven Bottom Burner	25,500 BTU (G) 23,200 BTU (LP)



©, ④, ⑤ The shaded area represents the installation area for the connections:
E = Electrical connection, W = Water connection (HR 1924-2 DF only), G = Gas connection

Position	Dimensions	Description	
①	13" (330 mm)	Maximum depth of top cabinet	
②	18" (457 mm)	Minimum distance to bottom edge of top cabinet	
③	35 1/2"-37" (901-940 mm)	Distance from the floor to cooktop surface	
④	10" (254 mm)	Minimum distance to combustible surfaces.	
Ⓐ	min. 30" (762 mm)	Niche width Please contact Miele Technical Service for more information.	
Ⓑ	37" (940 mm)	Minimum distance between the top of the cooking area and the bottom of an unprotected combustible surface.	
	30" (762 mm)	Minimum distance between the top of the cooking area and the bottom of the Miele Range Hood (DAR model with DRxB XL or DRxB XXL blower).	
	Refer to the Installation instructions for the Miele ventilation hood, Appliance dimensions (Distance between cooktop and ventilation hood (S)). For all other hoods please consult the manufacturer's specifications for required distances.		
Ⓒ	approx. 10 13/16" (274 mm)	Maximum connection width right and left	Position of the wall socket
Ⓓ	approx. 4 1/2" (115 mm)	Maximum connection height	
Ⓔ	approx. 2 13/16" (72 mm)	Maximum connection depth	

Note:
Please observe safe distances to rear combustible surfaces of 12" (305 mm) clearances. For zero clearance installation, Miele Backguards will satisfy the required distance to combustible surfaces. The Miele Backguard is available in 12" (305 mm) or 20" (508 mm) heights.