

36" Classic Wall Ventilation Hood

DA 399-7



36" Classic Wall Ventilation Hood DA 399-7



DA 399-7 FEATURES

- LED ClearView Lighting
- Front mounted backlit controls
- Four fan speeds (incl. intensive)
- Dishwasher-safe metal filters
- Polished stainless steel logo
- Stainless steel finish or RAL color options

SPECIFICATIONS

DA 399-7 — Item 28399750USA

Overall Unit Width	35 ¹ / ₄ " (898 mm)
Overall Unit Height (Air Extraction)	27 ³ / ₈ " — 40" (695—1015mm)
Overall Unit Height (Recirculation)	32 ¹ / ₂ " — 45 ¹ / ₁₆ " (825—1145mm)
Overall Unit Depth	20 ¹ / ₂ " (520 mm)
Chimney Dimensions	11 ³ / ₈ " (290mm) W x 10 ⁵ / ₈ " (270mm) D
Fan	
Fan Speeds	4, Including Intensive setting
Maximum CFM	625 CFM, (Reducing Collar is available to reduce Air flow to less than 400 CFM, more information on page 8)
Duct	
Recommended Duct Diameter	6" (150 mm)
Electrical	
Electrical Requirements	120 V, 60 Hz, 15 Amps
Power Cord	Molded NEMA 5-15 plug, 2.5 ft (0.75m)
Shipping	
Shipping Weight	55.3 lbs (25.1kg)
Support	
Call Miele Customer Service	800.999.1360
Miele Website	www.mieleusa.com
20/20 Link	2020technologies.com

Optional Accessories:



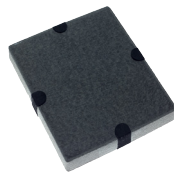
R2000

Reducing collar limits air flow to less than 400 CFM



DUW 20

Installation kit for recirculation mode



DKF12-900

OdorFree Charcoal filter required accessory for recirculation mode



DATK1-760

30" Chimney Extension



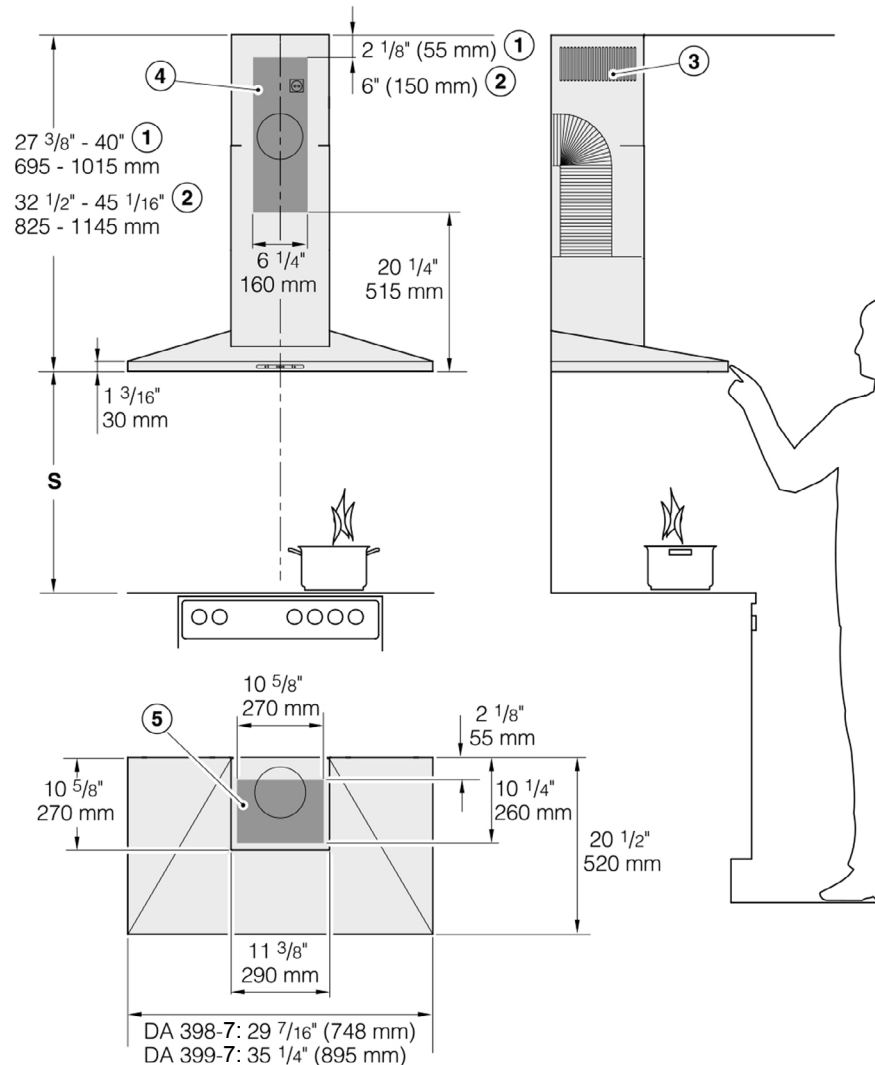
DATK2-1000

40" Chimney Extension

36" Classic Wall Ventilation Hood DA 399-7



PRODUCT VIEW



The drawing is not to scale.

- ① Extraction
- ② Recirculation
- ③ Air vent positioned at top for recirculation
- ④⑤ Mounting area (only ④ is required for recirculation ventilation hoods). Wall and ceiling area for exhaust duct opening and for wall socket installation. Only the wall socket installation is required for recirculation hoods.

Vent collar $\varnothing 6''$ (150 mm), with adapter $\varnothing 5''$ (125 mm).

PLEASE NOTE: The majority of the weight of the installed ventilation system will be supported by the lower retaining plate. It must be firmly attached to the stud framing behind the drywall. If studs are not available in the required locations, a plywood backing (min. $\frac{1}{2}''$ (13 mm) thick) spanning at least two studs must be installed. Failure to adequately support the weight as stated may result in the ventilation system falling off the wall, causing personal injury and property damage.

36" Classic Wall Ventilation Hood

DA 399-7



INSTALLATION SPECIFICATIONS

Distance Between Cooktop and Ventilation Hood (S)

Distance between cooktop and hood (S)

Do not install this exhaust hood over cooktops burning solid fuel.

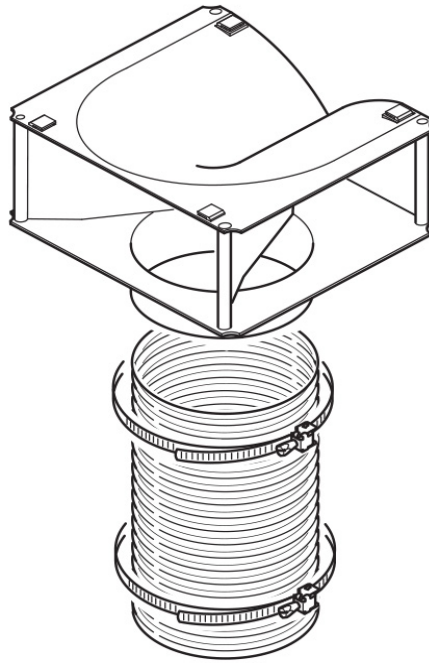
Provided a larger distance is not given by the manufacturer of the cooktop, follow the minimum safety distances between a cooktop and the bottom of the hood:

	Minimum distance S	
	Miele Cooktops	Non-Miele Cooktops
Electric Cooktops	24" (610 mm)	
Electric Barbeques and Fryers	26" (660 mm)	
Multiburner Gas cooktops ≤ 43,000 BTU/hr (12.6 KW) and no burner > 15,000 BTU/hr (4.5 KW)	26" (660 mm)	30" (760 mm)
Multiburner Gas cooktops ≤ 73,800 BTU/hr (21.6 KW) and no burner > 16,500 BTU/hr (4.8 KW)	30" (760 mm)	
Multiburner Gas cooktops > 73,800 BTU/hr (21.6 KW) or one of the burners > 16,500 BTU/hr (4.8 KW)	Not possible	
Single Burner Gas Cooktops ≤ 20,500 BTU/hr (6 KW)	26" (660 mm)	30" (760 mm)
Single Burner Gas Cooktops > 20,500 BTU/hr (6 KW) ≤ 27,600 BTU/hr (8.1 KW)	30" (760 mm)	
Single Burner Gas Cooktops > 27,600 BTU/hr (8.1 KW)	Not possible	

36" Classic Wall Ventilation Hood DA 399-7



INSTALLATION SPECIFICATIONS Recirculation Kit DUW 20



For Recirculation mode conversion kit DUW 20 is required.

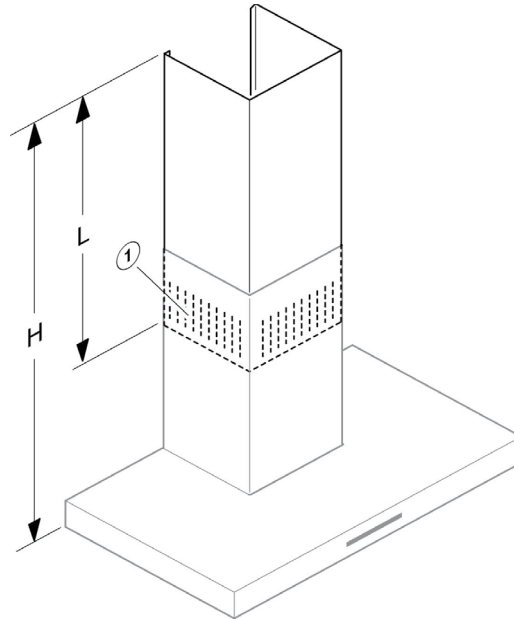
36" Classic Wall Ventilation Hood DA 399-7



INSTALLATION SPECIFICATIONS

30" Wall Hood Chimney Extension

DATK1-760



DATK1-760:

L = 30" (760 mm)

Height H with chimney extension Kit:

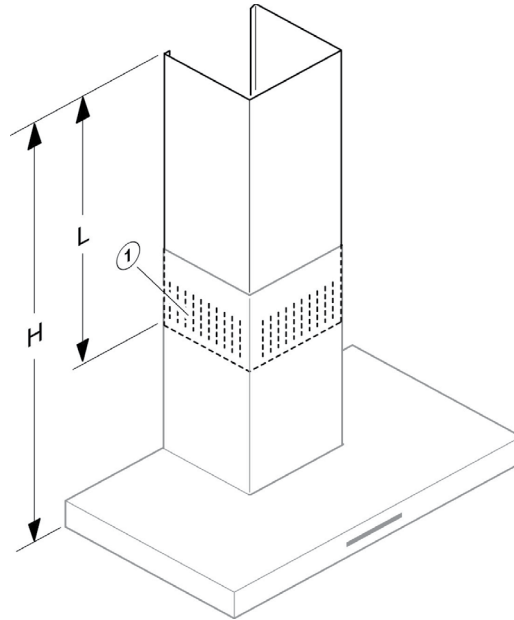
H = Standard unit height + 11¹/₄" (285 mm)

(1) Air outlet installed upwards for recirculation mode

36" Classic Wall Ventilation Hood DA 399-7



INSTALLATION SPECIFICATIONS 40" Wall Hood Chimney Extension DATK1-1000



DATK2-1000:

$L = 39\frac{3}{8}"$ (1000 mm)

Height H with chimney extension Kit:

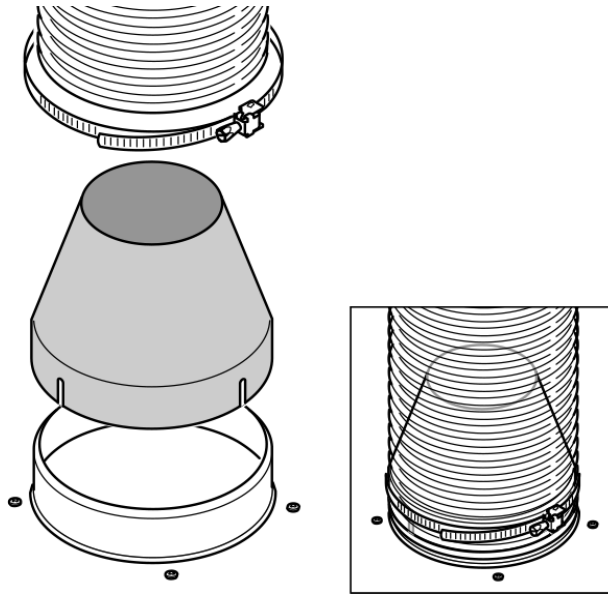
$H = \text{Standard unit height} + 20\frac{11}{16}"$ (525 mm)

(1) Air outlet installed upwards for recirculation mode

36" Classic Wall Ventilation Hood DA 399-7



Reducing Collar (Optional Accessory)



If you would like to reduce the environmental impact of your ventilation system by limiting the CFM output the Reducing Collar can be installed. It reduces the air flow to less than 400 CFM. Check local building codes for maximum CFM requirements.