

- EN** Installation, Operation and Maintenance Instructions  
**FR** Instructions d'installation, d'utilisation et d'entretien  
**ES** Instrucciones de instalación, operación y mantenimiento

Refrigerator / Freezer  
Réfrigérateur / Congélateurs  
Refrigeradores / Congeladors

**ML24RFP0\*\***

**ML24RFS0\*\***

**ML24RFP4\*\***

**ML24RFS3\*\***

**ML24RIP5\*\***

**ML24RIS4\*\***



# CONTENTS

## Contents:

Safety information .....	2
Unpacking your appliance .....	3
Warranty registration .....	3
Installing your appliance .....	4
Cabinet clearances .....	4
Leveling the appliance .....	4
Electrical connection .....	5
Installing the water supply .....	6
Ice-maker operation .....	7
Product dimensions .....	8
Starting your appliance .....	10
Using your Electronic control .....	10
Sleep mode .....	10
Turning your appliance "ON" or "OFF" .....	11
Adjusting the temperature .....	11
Temperature mode .....	11
Control lock .....	11
Temperature sensor error codes .....	12
Alarms .....	12
Door ajar .....	12
Power failure .....	13
Temperature alarm .....	13
Vacation mode .....	13
Overlay door panel installation .....	14
Shelving configurations .....	18
Shelf removal .....	19
Energy saving tips .....	19
Care and cleaning .....	20
Obtaining service .....	20
Troubleshooting refrigerator freezer and ice-maker .....	21
Troubleshooting ice-maker .....	22
Warranty .....	23

## Important Safety Instructions

Warnings and safety instructions appearing in this guide are not meant to cover all possible conditions and situations that may occur. Common sense, caution, and care must be exercised when installing, maintaining, or operating this appliance.

## Recognize Safety Symbols, Words, and Labels.



### WARNING

**WARNING** - You can be killed or seriously injured if you do not follow these instructions.



### CAUTION

**CAUTION**-Hazards or unsafe practices which could result in personal injury or property / product damage.

### NOTE

**NOTE**-Important information to help assure a problem free installation and operation.



### WARNING

**State of California Proposition 65 Warning:**  
This product contains one or more chemicals known to the State of California to cause cancer.



### WARNING

**State of California Proposition 65 Warning:**  
This product contains one or more chemicals known to the State of California to cause birth defects or other reproductive harm..



**AGA MARVEL** is committed to building a quality product in an environmentally friendly manner. Our processes are tightly controlled and closely monitored. We have achieved certifications in ISO 9001 for quality assurance, ISO 14001 for environmental management, and OHSAS 18001 for occupational health and safety from Lloyd's Register Quality Assurance.

# UNPACKING YOUR APPLIANCE



## WARNING

### EXCESSIVE WEIGHT HAZARD

Use two or more people to move product.  
Failure to do so can result in personal injury.

### Remove Interior Packaging

Your appliance has been packed for shipment with all parts that could be damaged by movement securely fastened. Remove internal packing materials and any tape holding internal components in place. The owners manual is shipped inside the product in a plastic bag along with the warranty registration card, and other accessory items.

### Important

Keep your carton and packaging until your appliance has been thoroughly inspected and found to be in good condition. If there is damage, the packaging will be needed as proof of damage in transit. Afterwards please dispose of all items responsibly.



## WARNING

**WARNING** - Dispose of the plastic bags which can be a suffocation hazard.

### Note to Customer

This merchandise was carefully packed and thoroughly inspected before leaving our plant. Responsibility for its safe delivery was assumed by the retailer upon acceptance of the shipment. Claims for loss or damage sustained in transit must be made to the retailer.

## NOTE

DO NOT RETURN DAMAGED MERCHANDISE TO THE MANUFACTURER - FILE THE CLAIM WITH THE RETAILER.



## CAUTION

If the appliance was shipped, handled, or stored in other than an upright position for any period of time, allow the appliance to sit upright for a period of at least 24 hours before plugging in. This will assure oil returns to the compressor. Plugging the appliance in immediately may cause damage to internal parts.

### Warranty Registration

It is important you send in your warranty registration card immediately after taking delivery of your appliance or you can register online at [www.agamarvel.com](http://www.agamarvel.com).

The following information will be required when registering your appliance.

Service Number

Serial Number

Date of Purchase

Dealer's name and address

Online registration  
available at  
[www.agamarvel.com](http://www.agamarvel.com)

The service number and serial number can be found on the serial plate which is located inside the cabinet on the right side near the top. (See figure 1).

AGA MARVEL	
GREENVILLE, MI 48838	
MODEL NO.	<input type="text"/>
SERVICE NO.	<input type="text" value="XXXXXXXXXX"/>
SERIAL NO.	<input type="text" value="XXXXXXXXXX"/>
HZ <input type="text"/>	VOLTS <input type="text"/>
AMPS <input type="text"/>	R134A <input type="text"/>
oz <input type="text"/>	TEST PRESSURE 140 PSI LOW SIDE 300 PSI HIGH SIDE

Figure 1



## WARNING

### WARNING - Help Prevent Tragedies

Child entrapment and suffocation are not problems of the past. Junked or abandoned refrigerators are still dangerous - even if they sit out for "just a few hours".

If you are getting rid of your old refrigerator, please follow the instructions below to help prevent accidents.

Before you throw away your old refrigerator or freezer:

- Take off the doors or remove the drawers.
- Leave the shelves in place so children may not easily climb inside.

# INSTALLING YOUR APPLIANCE

## Select Location

The proper location will ensure peak performance of your appliance. We recommend a location where the unit will be out of direct sunlight and away from heat sources. To ensure your product performs to specifications, the recommended installation location temperature range is from 55 to 100°F (13 to 38°C).

## Cabinet Clearance

Ventilation is required from the bottom front of the appliance. Keep this area open and clear of any obstructions. Adjacent cabinets and counter top can be installed around the appliance as long as the front grille remains unobstructed. Overlay door models with articulated hinges are intended for built-in applications only.

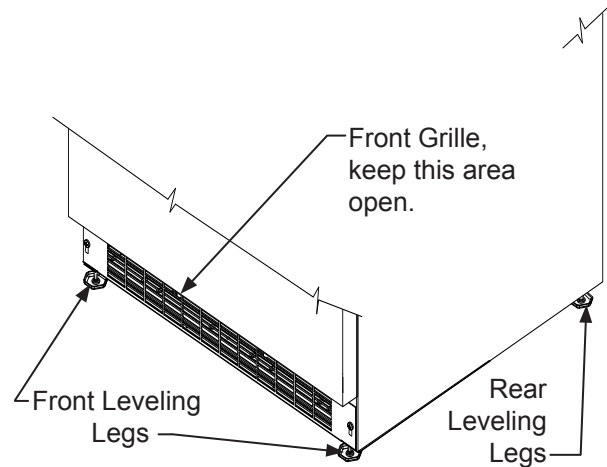


Figure 2

## Leveling Legs

Adjustable legs at the front and rear corners of the appliance should be set so the unit is firmly positioned on the floor and level from side to side and front to back. The overall height of your Marvel appliance may be adjusted higher (by turning the leveling leg out, CCW) and lower (by turning the leveling leg in, CW) dimensions as shown in Table "A".

To adjust the leveling legs, place the appliance on a solid surface and protect the floor beneath the legs to avoid scratching the floor. With the assistance of another person, lean the appliance back to access the front leveling legs. Raise or lower the legs to the required dimension by turning the legs. Repeat this process for the rear by tilting the appliance forward using caution. On a level surface check the appliance for levelness and adjust accordingly.

The front grille screws may be loosened and the grille adjusted to the desired height. When adjustment is complete tighten the two front grille screws. (See Figure 5).



## WARNING

An optional stacking kit is required to stack products. Failure to use a stacking kit could result in personal injury. Contact your dealer or Aga Marvel customer service at 800-223-3900 to order.



## CAUTION

## Front Grille

Do not obstruct the front grille. The openings within the front grille allow air to flow through the condenser heat exchanger. Restrictions to this air flow will result in increased energy usage and loss of cooling capacity. For this reason it is important this area not be obstructed and the grille openings kept clean. AGA MARVEL does not recommend the use of a custom made grille as air flow may be restricted. (See Figure 2).

Model	Door Style	Minimum Height	Maximum Height
ML24	S	33 3/4" (85.7 cm)	34 3/4" (88.3 cm)
ML24	P	34" (86.4 cm)	35" (88.9 cm)

Table A

# INSTALLING YOUR APPLIANCE

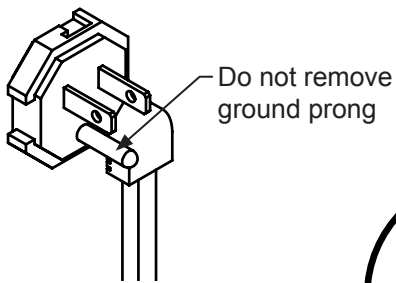


Figure 3

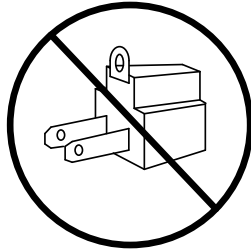


Figure 4

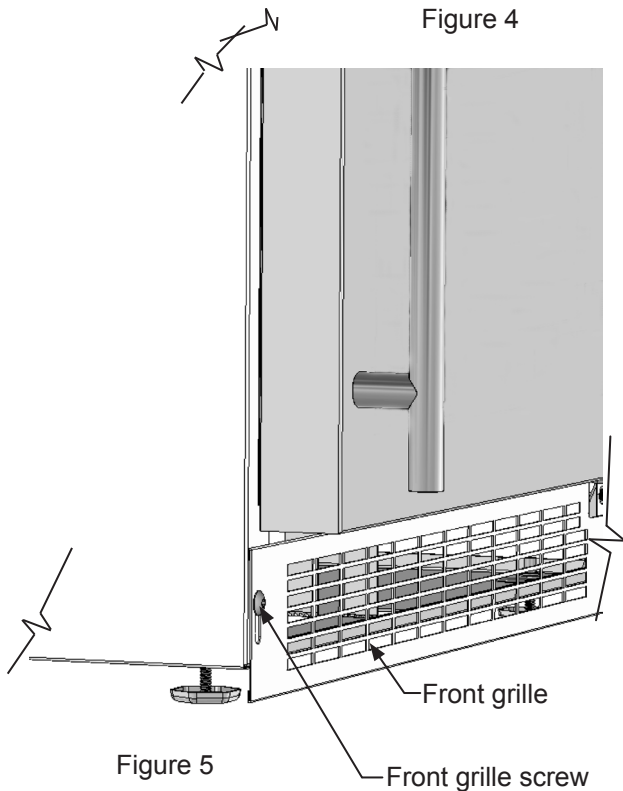


Figure 5

## Electrical Connection

A grounded 115 volt, 15 amp dedicated circuit is required.

This product is factory equipped with a power supply cord that has a three-pronged, grounded plug. It must be plugged into a mating grounding type receptacle in accordance with the National Electrical Code and applicable local codes and ordinances (see Figure 6). If the circuit does not have a grounding type receptacle, it is the responsibility and obligation of the customer to provide the proper power supply. The third ground prong should not, under any circumstances, be cut or removed.

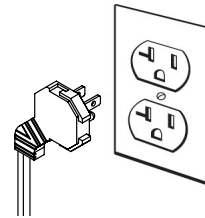


Figure 6

## NOTE

Ground Fault Circuit Interrupters (GFCI) are prone to nuisance tripping which will cause the appliance to shut down. GFCI's are generally not used on circuits with power equipment that must run unattended for long periods of time, unless required to meet local building codes and ordinances.



## WARNING

### Electrical Shock Hazard

- Do not use an extension cord with this appliance. They can be hazardous and can degrade product performance.
- This appliance should not, under any circumstances, be installed to an un-grounded electrical supply.
- Do not remove the grounding prong from the power cord. (See Figure 3).
- Do not use an adapter. (See Figure 4).
- Do not splash or spray water from a hose on the appliance. Doing so may cause an electrical shock, which may result in severe injury or death.

# INSTALLING THE WATER SUPPLY

## MODEL ML24RI AND MODEL ML24RF WITH OPTIONAL ICE-MAKER KIT

### NOTE

If you have model ML24RI you have a factory installed ice-maker.

An optional ice-maker kit (part number S42418151) is available for model ML24RF which includes all of the necessary parts for installation. The kit can be obtained from Marvel customer service by calling 800-223-3900.

### Water Supply

### CAUTION

Observe and follow all local building codes when installing this appliance.

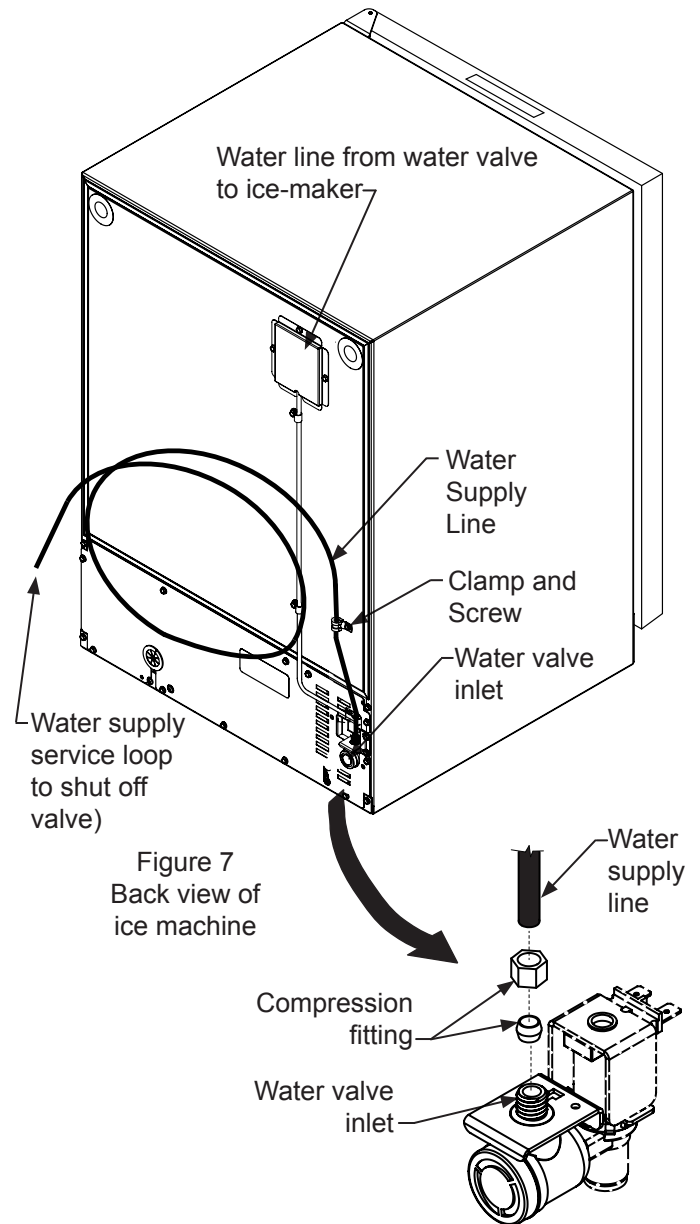
Use 1/4" outside diameter copper tubing for your water supply which is available at any local hardware or plumbing supply store. Bend the 1/4" copper tubing to suit your installation being sure not to kink the tubing. Purchase enough copper tubing length and coil it behind the unit to form a "service loop" which will allow the appliance to be pulled out from the installation for servicing or cleaning. Connect the copper tubing to the "top side" of a cold water pipe to prevent the ice-maker from plugging with sediment.

A shutoff valve is recommended on the water supply line to ease servicing the appliance. **NOTE: A SELF-PIERCING TYPE VALVE IS NOT RECOMMENDED** as they are prone to clogging with sediment which will create pressure drop reducing the water supply to the unit.

Connect the copper tubing water supply to the water valve inlet with the compression nut fitting provided. Secure the water supply line to the back of the cabinet with the screw and clamp provided in the corner of the back panel. (See Figure 7).

Water pressure must be at a minimum of 20 psi for proper operation and a maximum of 120 psi.

Make certain all water connections are watertight after installation. Form the tubing so that it will not vibrate against the cabinet body or kink when your appliance is set in position.



### NOTE

- Do not use any thread sealers on these water line fittings.
- Reverse osmosis, softened water, and de-ionized water are not recommended as they will adversely affect the quality of the ice.

## ICE-MAKER OPERATION

### CAUTION

The water supply to the ice-maker must be turned on prior to turning the ice-maker on. Failure to do so will cause rapid dry cycling of the ice-maker mold heater resulting in temperature control issues in the freezer compartment.

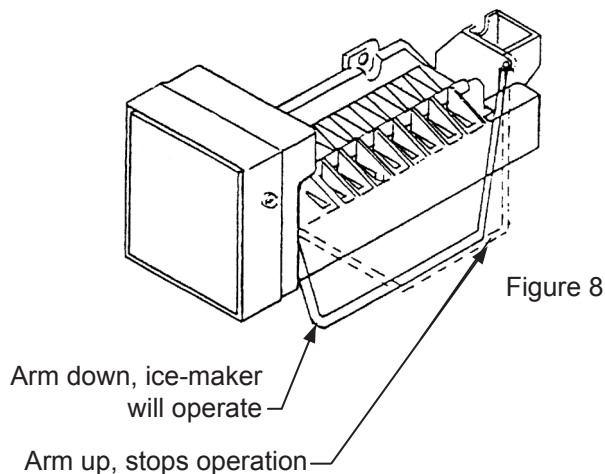
### Ice-maker operation

- The unit must be installed level for proper ice-maker operation.
- The shutoff arm wire must be down in its lowest position for the ice-maker to operate. (See Figure 8).
- When the freezer section and ice-maker unit has sufficiently cooled, the ice-maker will harvest ice cubes automatically.
- When the ice bucket is full, the ice-maker will automatically shut off.
- You may manually stop the ice-maker by raising the shut off arm to the locking position at the up most position. (See Figure 8).

### NOTE

It is recommended the ice-maker is shut off when removing the bucket, or ice may be dispensed onto the freezer compartment floor.

If the ice is not used regularly, it will clump together with time. For best ice results, discard ice in the bin as required and allow the ice-maker to make a new fresh batch of ice. Shut-off the ice-maker by raising the shut-off arm before removing the bucket.



### Long and short term storage of ice-maker:

When operation of the appliance is to be discontinued for any length of time, the ice cube mold in the ice-maker should be emptied by allowing the ice-maker to dispense cubes with the water supply turned off.

1. Turn the water supply off.
2. Raise the ice-maker bail arm.
3. Empty the ice bucket.
4. Replace the ice bucket in the unit and lower the bail arm.

Dispensing of the cubes should occur within 2 hours. After the ice-cubes dispense - empty, clean, and replace the ice cube bucket, and raise the bail arm.



# PRODUCT DIMENSIONS

MODEL	ROUGH-IN OPENING DIMENSIONS			CABINET DIMENSIONS					
	"A"	"B"	"C"	"D"	"E"	"F"	"G"	"H"	"J"
ML24R*S	24" (61 cm)	**34" to 35" (86.4 to 88.9 cm)	24" (61 cm)	23 <sup>7</sup> / <sub>8</sub> " (60.7 cm)	33 <sup>3</sup> / <sub>4</sub> " to 34 <sup>3</sup> / <sub>4</sub> " (85.7 to 88.3 cm)	23 <sup>23</sup> / <sub>32</sub> " (60.2 cm)	25 <sup>2</sup> / <sub>32</sub> " (65.2 cm)	46 <sup>1</sup> / <sub>32</sub> " (117.9 cm)	25 <sup>1</sup> / <sub>16</sub> " (65.2 cm)
ML24R*P	24" (61 cm)	**34 <sup>1</sup> / <sub>4</sub> " to 35 <sup>1</sup> / <sub>4</sub> " (87 to 89.5 cm)	* 24" (61 cm)	23 <sup>7</sup> / <sub>8</sub> " (60.7 cm)	34" to 35" (86.4 to 88.9 cm)	22 <sup>7</sup> / <sub>8</sub> " (58.1 cm)	-	46 <sup>1</sup> / <sub>2</sub> " (118.1 cm)	23 <sup>1</sup> / <sub>8</sub> " (58.7 cm)

DOOR STYLE
(S) Solid Door
(P) Solid Overlay Door (no handle)

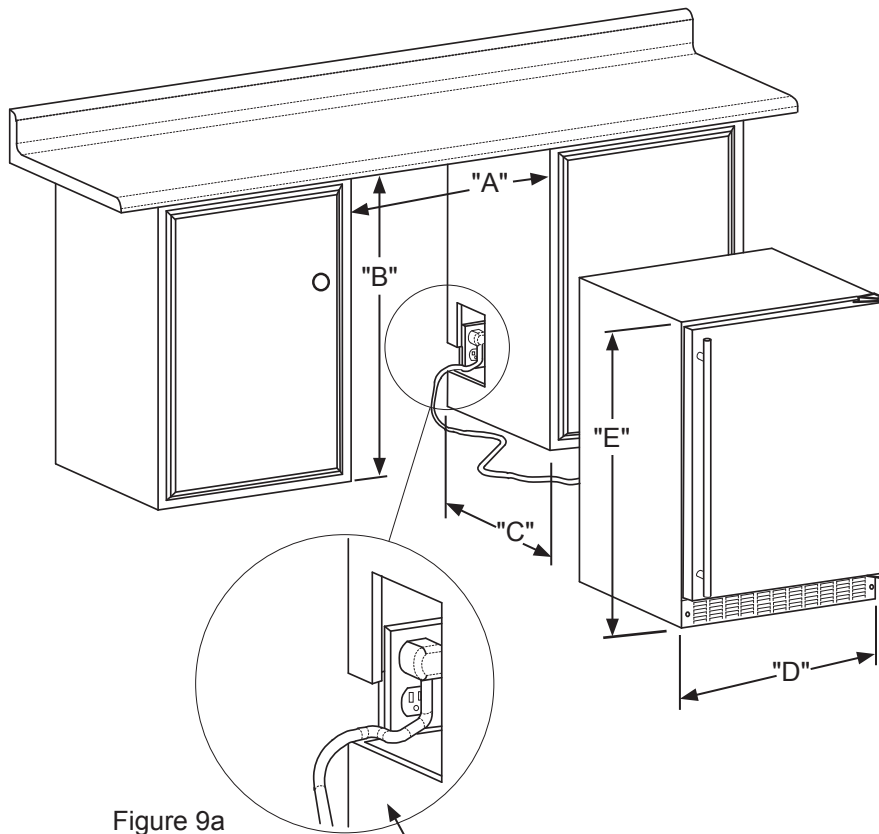


Figure 9

Figure 9a

If necessary to gain clearance inside the rough-in opening a hole can be cut through the adjacent cabinet and the power cord routed through this hole to a power outlet. Another way to increase the available opening depth is to recess the power outlet into the rear wall to gain the thickness of the power cord plug. Not all recessed outlet boxes will work for this application as they are too narrow, but a recessed outlet box equivalent to Arlington #DVFR1W is recommended for this application, (see Figure 10).



Figure 10



# PRODUCT DIMENSIONS

MODEL	PRODUCT DATA	
	ELECTRICAL REQUIREMENTS #	PRODUCT WEIGHT
ML24R*S	115V/60Hz/15A	140 lbs (63.6 kg)
ML24R*P	115V/60Hz/15A	140 lbs (63.6 kg)

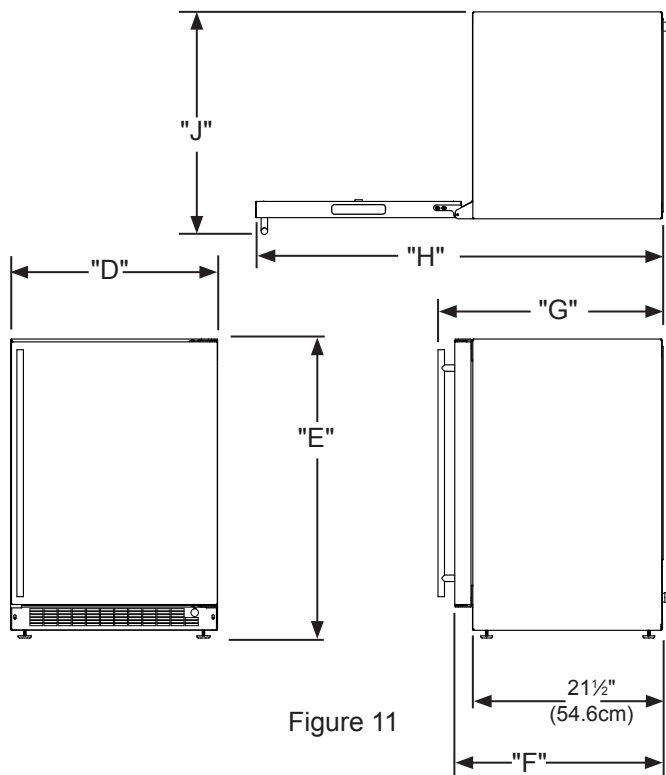
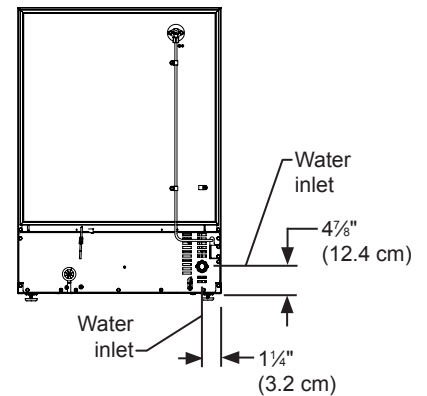


Figure 11



\* To install (P) models with the door face flush with adjacent cabinetry doors, custom decorative panel thickness cannot exceed 3/4" (19 mm).

\*\* Minimum rough-in opening required is to be larger than the adjusted height of the cabinet.

# A grounded 15 amp dedicated circuit is required. Follow all local building codes when installing electrical and appliance.

# STARTING YOUR APPLIANCE



## NOTE

### Starting your appliance:

Plug the appliance power cord into a 115 volt wall outlet. Your appliance is shipped from the factory in the "On" position and will begin start-up of cooling as soon as power is supplied. If the appliance does not start, confirm that the wall outlet has power, and that the control is in the "On" position, (See "Turning your appliance On and Off" below).

The control display is covered with a clear plastic film. This film may be removed by carefully lifting the film at a corner.

On initial power up, the control display will indicate a "Power Failure" alarm. This is a normal condition as the appliance was powered-up at the factory for quality inspection and then removed from power. A momentary press of the "On/Off" keypad will reset this alarm condition. (See Alarms section on page 12).

Your product has an automatic defrost feature that utilizes an electric heater element. Periodically during defrost you may observe the following:

- Water dripping and running sounds as a result of the frost melt.
- Sizzling and popping sounds from water dripping on the heater element.
- A faint reddish glow in the freezer compartment from the electric heater element.

These are all "normal" operating characteristics related to refrigeration product incorporating automatic defrost. They do not represent any product fault or safety issue.

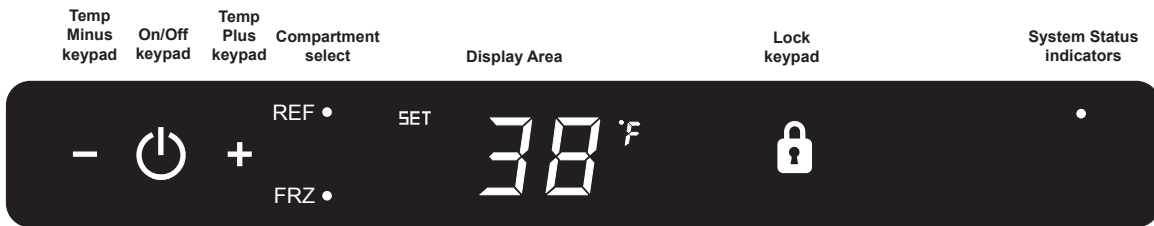


Figure 12  
Electronic control

### Using your electronic control:



### Sleep mode:

If no keypads are pressed for 60 seconds, the display will enter sleep mode to conserve power. The control panel will go dark with the exception of the system status "OK" indicator which will remain enabled. Alarm conditions will wake the display, (see alarms on page 12).

**To make the following changes to the control settings (turning the appliance ON/OFF, adjusting the temperature, and activating vacation mode), the control must be awake.**

To wake the display press any keypad. A confirm tone will sound, and the current storage compartment temperature will be displayed.



The sleep mode can be disabled if you prefer to have the display on continuously. Press and hold the "Lock" keypad until the display goes past "Loc" and reads "nSL". To enable the sleep mode, repeat the instruction, again going past "Loc" until the display reads "SLP".

## USING YOUR ELECTRONIC CONTROL



### Turning your appliance ON and OFF:

If the appliance is "On", (and out of sleep mode) the temperature will be shown in the display area of the control. To turn the appliance "Off", press and hold the "On/Off" keypad for 4-seconds. "OFF" will now be displayed on the control.



To turn the appliance "On", press and hold the "On/Off" keypad for 4-seconds.

### Adjusting the temperature:

#### NOTE

When initially loading your product with warm contents, it may take up to 48-hours for the storage compartment temperature to stabilize.

When making temperature set-point changes, it may take up to 24-hours for the stored contents to stabilize at your new set-point temperature.

Factors that affect the storage compartment stabilized temperature:

- Changes to temperature setting.
- Room temperature changes.
- Temperature of stored contents.
  - Loading warm contents.
  - Cold content load will delay the change to a warmer set-point temperature.
  - Warm content load will delay the change to a colder set-point temperature.
- Usage, (number and duration of the door openings).
- Use of the storage compartment display lighting, (glass door product only).
- Installation of the appliance in direct sunlight or next to a heat source.

Freezer compartment selected



Refrigerator compartment selected



Temperatures can be set for each individual compartment (refrigerator or freezer / ice-maker). To do so you must first select the compartment you want to set the temperature for.

You do so by pressing the refrigerator (REF) or freezer (FRZ) button on the display. When pressed the LED light will be illuminated for the respective display.

To change the set temperature for a particular compartment, with the compartment enabled and out of sleep mode, press the "-" or "+" keypads. "SET" will be indicated on the user interface panel and the current set-point temperature will display and flash. Subsequent presses of the "-" or "+" keypads will adjust the temperature colder or

warmer respectively. When you have reached your desired set-point temperature, press the "On/Off" keypad to accept, or do nothing and the "Set" mode will time-out in 10-seconds accepting the displayed temperature as the new set-point.

The available set-point temperature range for your appliance is -6°F (-21°C) to 6°F (-14°C) for the freezer compartment (ice-maker) and 34°F (1.2°C) to 42°F (5.7°C) for the refrigerator compartment. If you attempt to adjust the temperature outside of these ranges you will receive an audible notification.



### Temperature mode:

The temperature mode is preset from the factory in Fahrenheit (°F) but you have the option to change it to Centigrade (°C). To change the mode, press and hold the "-" keypad, while pressing the "+" keypad, then release the "-" keypad. The temperature will now be displayed in Centigrade (°C). Repeat the procedure to change the temperature mode back to Fahrenheit (°F).



### Control lock:

The control panel can be locked to avoid unintentional changes. To lock the control, press and hold the "Lock" keypad until the display reads "Loc" then immediately release your finger from the keypad. The lock icon will flash 3-times and then continuously illuminate. When the control panel is locked, only the Lock keypad, System Status OK indicator, and the Alarm indicator are active. To un-lock the control panel, repeat this instruction until the display reads "nLc" then immediately release your finger from the keypad.

#### NOTE






If the control lock is active (illuminated lock icon) the control will have to be unlocked before using the keypad to reset an alarm condition. See page 11 (Control Lock) for instructions for unlocking the control.

## USING YOUR ELECTRONIC CONTROL

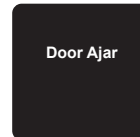
### Temperature Sensor Error Codes

The temperature sensors are monitored continuously. Any OPEN or SHORTED circuit condition will initiate an ERROR CODE as listed below:

Temperature Sensor Error Codes			
Sensor	Displayed Code	Error Description	Action to Take
Refrigerator Temperature Sensor		Failed temperature sensor in the refrigerator compartment. Can lead to unwanted storage temperatures and/or spoiled perishable goods.	Call service to have the temperature sensor replaced and remove all perishable goods from compartment to prevent spoilage.
Freezer Temperature Sensor		Failed temperature sensor in the freezer compartment. Can lead to unwanted storage temperatures and/or spoiled perishable goods.	Call service to have the temperature sensor replaced and remove all perishable goods from compartment to prevent spoilage.
Defrost Sensor		Failed defrost temperature sensor. Causes unit to not defrost properly and can create large frost build-up. Can lead to water damage to the unit and surrounding floor.	Unplug the power cord immediately and call service to have the defrost sensor replaced.

### Alarms:

The control will alert you to conditions that could adversely affect the performance of the appliance.



- **Door ajar** - If the door is open, or not closed properly, for more than 5-minutes the System Status OK indicator will turn-off, the "Door Ajar" indicator will flash, and a tone will sound every 60 seconds. Additionally, an "ALARM RESET" indicator will be displayed below the "On/Off" keypad.

**NOTE**



The audible alarm can be muted, for each occurrence, by pressing the lock keypad.

This alarm condition can be reset by closing the door or momentarily pressing the "On/Off" keypad, (i.e.-if you are cleaning the storage compartment, etc.). The alarm will recur in 5-minutes if the alarm condition persists.

## USING YOUR ELECTRONIC CONTROL



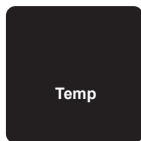
- **Power failure** - If power to the appliance is interrupted the System Status indicator will turn-off and the "Power Failure" indicator will flash. Additionally, an "ALARM RESET" indicator will be displayed below the "On/Off" keypad. No audible tone will sound. This alarm condition can be reset by momentarily pressing the "On/Off" keypad. If this alarm occurs, it is recommended that you check the condition of any perishables, even if the appliance is operating normally and the temperature has recovered, as prolonged power outages could result in excessive temperature excursions which may spoil perishables.

This alarm condition can be reset by momentarily pressing the "On/Off" keypad. If this alarm occurs it is recommended that you check the condition of your stored contents, even though the appliance is operating normally and the temperature has recovered, as prolonged temperature excursions could spoil perishables.

### NOTE



Multiple alarms are possible, i.e.- "Door Ajar" for a prolonged period may trigger a "Temp" alarm, in which case both "Door Ajar" and "Temp" indicators will activate.



- **Temperature alarm** - If the storage compartment temperature deviates excessively from your set-point temperature for an extended period of time, the "TEMP" indicator will flash, and an audible tone will sound every 60 seconds. Additionally, an "ALARM RESET" indicator will be displayed below the "ON/OFF" keypad.

### Vacation mode:

This operating mode can be used to save energy during high cost energy periods, or when you won't be using your appliance for an extended period of time by disabling the lights, alarm tones, and keypad entry tones. Vacation mode also serves as a Sabbath mode, disabling functions and its controls in accordance with the weekly Sabbath and religious holidays observed within the Orthodox Jewish community. When used as Sabbath mode, you may open or close the door at any time to access contents without concern of directly turning on or off any lights, digital readouts, solenoids, fans, valves, compressor, icons, tones, or alarms.

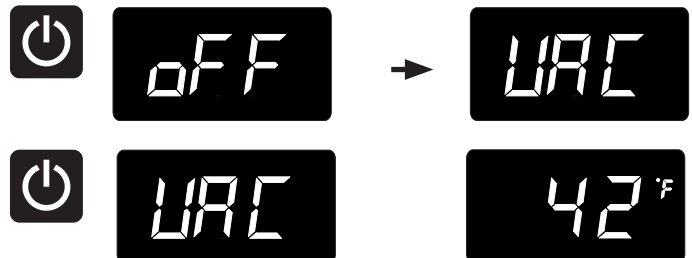
### NOTE

After a high temperature alarm condition, check all perishables to ensure they are safe for consumption.

When activated, the display, alarm indicators and tones, keypad touch tones, interior lights, and all options are disabled. All keypad functions are disabled, with the exception of the "On/Off" keypad which is required to exit Vacation-mode. Storage compartment temperatures are monitored and controlled at the settings prior to entering Vacation mode.

### NOTE

The temperature alarm may occur as a result of high usage or introduction of warm contents to the storage compartment. If the temperature alarm continues to occur, your unit may require service.



### NOTE



The audible alarm can be muted, for each occurrence, by pressing the lock keypad.

To enter Vacation Mode (with the control out of sleep mode), press and hold the "On/Off" keypad until the display goes past "OFF" and reads "VAC". The display will flash "VAC" 3-times to acknowledge your request, then will display "VAC" continuously until Vacation mode is exited. A power outage will not exit Vacation mode, exiting can only be accomplished manually. To exit Vacation mode and return to normal operation, press and hold the "On/Off" keypad until the control displays the temperature.

# OVERLAY DOOR PANEL INSTALLATION

If you purchased an overlay panel model, your unit is equipped with articulated hinges to allow fully integrated built-in installations. Custom panel thicknesses of  $\frac{5}{8}$ " (15 mm) and  $\frac{3}{4}$ " (18 mm) are accommodated.

## CAUTION

It is important to use the factory provided grille that came with the product to assure proper air flow is maintained through the condenser. The use of a custom grille is not recommended and will void the warranty.

## WARNING

Overlay panel models are designed for use with **built-in installations only**. Use in freestanding installations could result in personal injury.

### Step 1: Removing the Door

With a phillips screwdriver remove the screw and "P" clamp from the bottom of the door near the hinge. See Figure 13b.

Disconnect the door wire harness by pressing and holding down the locking tab on the wire connector and pulling the connector apart. See Figure 14.

Open the door and loosen the screws holding the hinges to the cabinet (2 at the top and 2 at the bottom hinge). Do not remove the screws but loosen them enough so the hinges can be slipped off of the screws when sliding the door to the side.

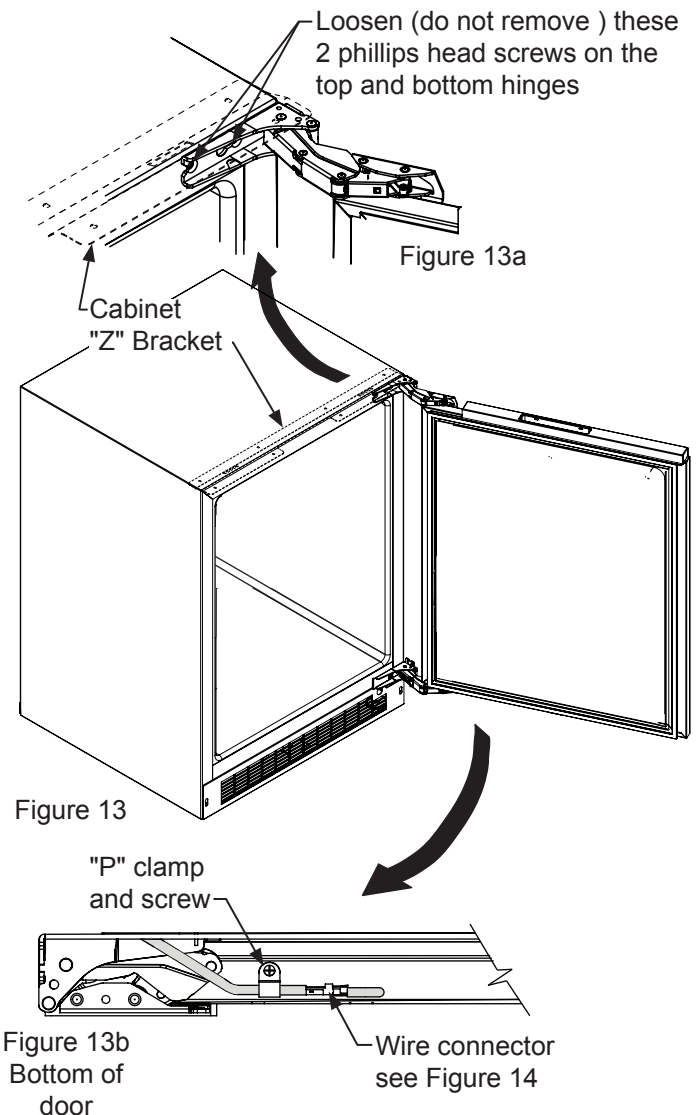
## WARNING

The articulated hinges have many pinch points. Carefully close / collapse the hinges as soon as the door is removed from the cabinet.

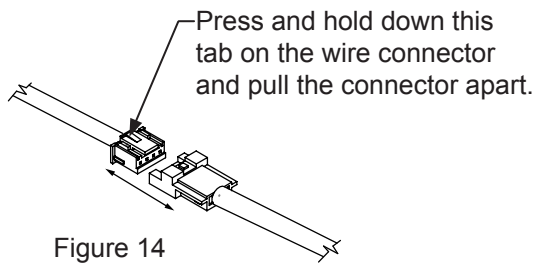
With a helper, and being careful not to scratch the cabinet or the door, slide the door to the side about  $\frac{1}{2}$  inch and remove the hinges and door from the unit.

## WARNING

Use extreme caution with the articulated hinges. The hinge is self closing and many pinch points exist prior to built-in installation. **Do not remove the cabinet "Z" bracket from the top of the cabinet.**



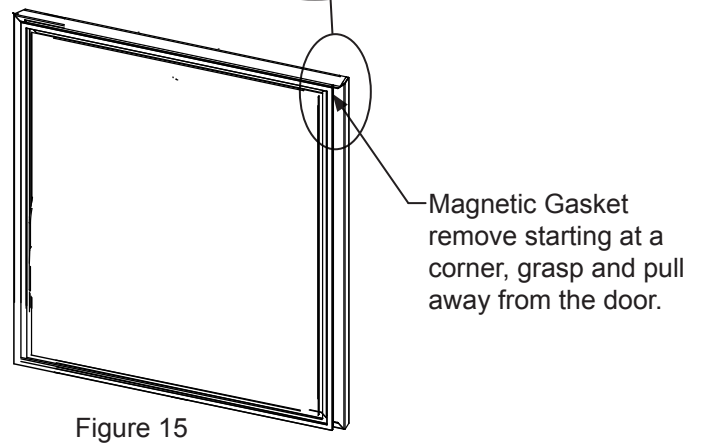
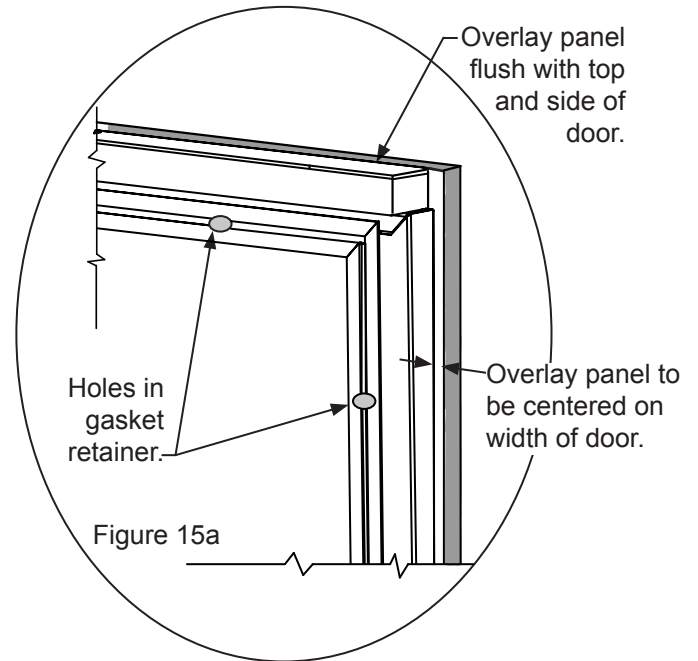
# OVERLAY DOOR PANEL INSTALLATION



## Step 2: Remove the door gasket

With the door laying on a flat surface and starting at a corner of the door remove the magnetic door gasket from the interior side of the door, see Figure 15. Set the gasket aside on a flat surface.

There are 10 holes in the gasket retainer extrusions, (3 on each side and 2 at the top and bottom which are used to fasten the panel to the front of the door. The screws are provided in the literature pack.



## CAUTION

Weight of overlay door panel must not exceed 15 pounds (6.8 kg).

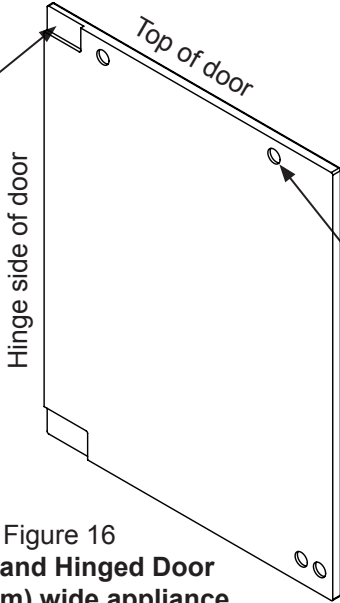
## Step 3: Cut and drill the overlay panel

Depending on your model cut the overlay door panel to the dimensions shown in Figures 16 to 19.



# OVERLAY DOOR PANEL INSTALLATION

Clearance for hinge at top and bottom

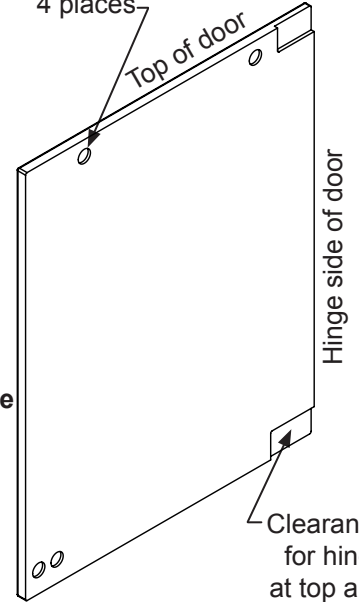


**CAUTION**

Weight of overlay door panel must not exceed 15 pounds (6.8 kg).

Clearance for screw head, 4 places

Clearance for screw head, 4 places



Clearance for hinge at top and bottom

Figure 16  
Right Hand Hinged Door  
24" (61 cm) wide appliance

Figure 18  
Left Hand Hinged Door  
24" (61 cm) wide appliance

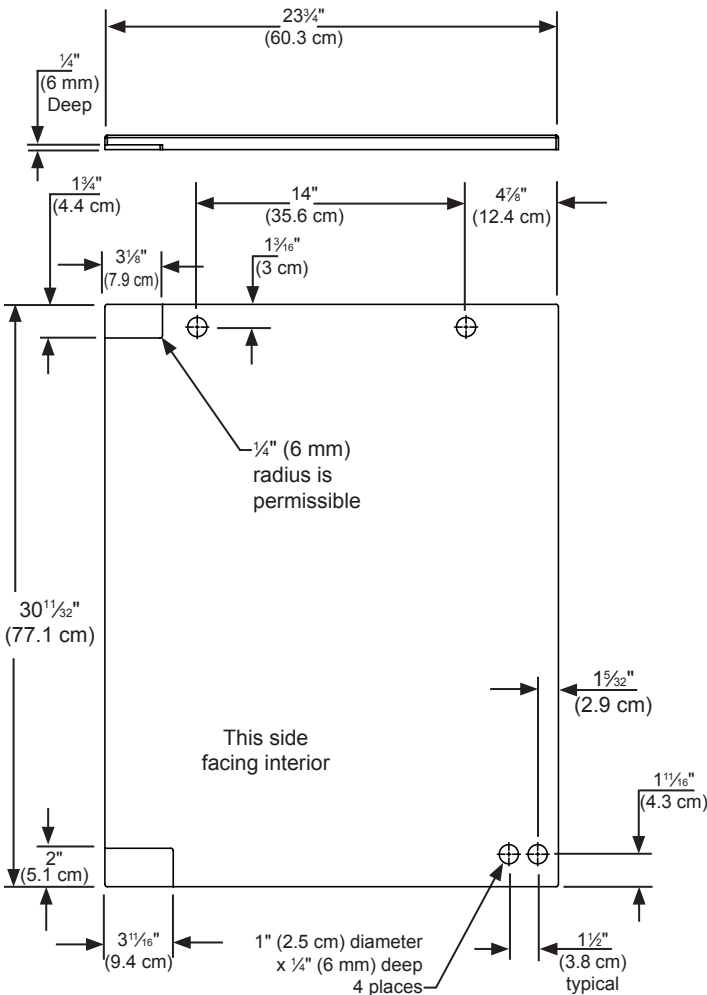


Figure 17  
Right Hand Hinged Door  
24" (61 cm) wide appliance

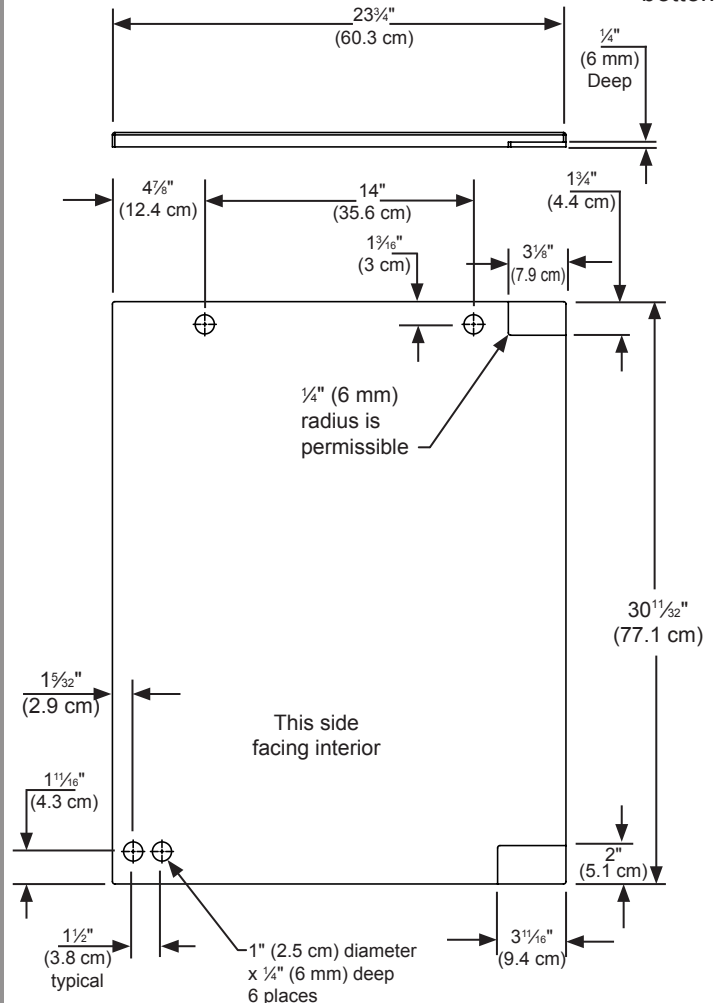


Figure 19  
Left Hand Hinged Door  
24" (61 cm) wide appliance

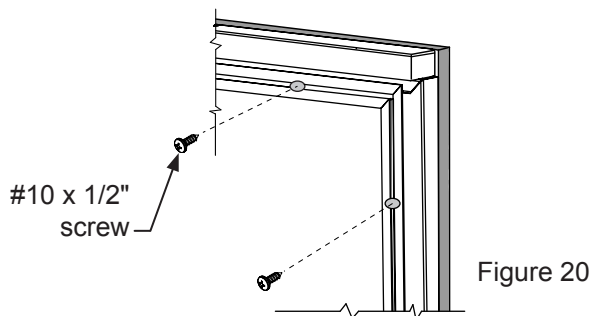
# OVERLAY DOOR PANEL INSTALLATION

Material Type	#10 Wood Screw
Hardwood	1/8" (3.2 mm) Diameter Pilot Hole
Softwood	7/64 (2.8 mm) Diameter Pilot Hole

Table B

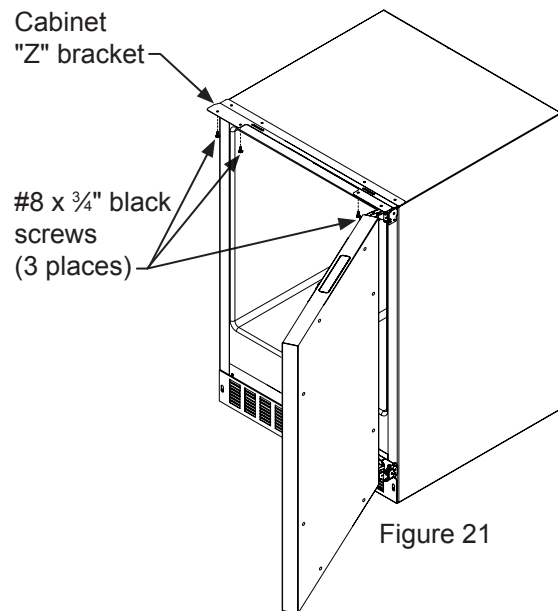
## Step 4: Assemble the panel to the door

The preferred method of attaching the panel to the door is to clamp the panel to the door so it cannot move while drilling the screw pilot holes. Use bar clamps or "C" clamps with pads on the clamping surfaces that will not mar the panel or the door. The custom overlay panel should be flush with the top of the door and centered along the width of the door. See Figure 15a. Drill holes through the gasket extrusion using the 10 holes as pilot holes. Use the drill size from the chart in Table "B", being careful not to drill through the front surface of the panel. If the overlay panel is thinner than 5/8" (16 mm) thick shorter screws will have to be obtained. Fasten the panel to the door with the 10 screws provided in the literature pack. (See Figure 20). Remove the clamps and replace the gasket in the gasket extrusion channels of the door. Some force may be required to seat the gasket into the channels. Be sure the gasket corners are seated properly.



## Step 6: Secure the cabinet

Use the #8 x 3/4" black screws from the literature pack to secure the counter top to the cabinet top through the holes in the cabinet "Z" bracket.



## Step 5: Install the door

Carefully open the top and bottom hinges on the door being careful as there are many pinch points. Place the hinges over the 4 screws in the cabinet, 2 at the top and 2 at the bottom and slide the door into position. Tighten the 4 hinge screws with a phillips screwdriver. (See Figures 13 and 13a). Place wire harness from the grille and mount to the bottom of the door with the screw and "P" clamp removed in step 1. (See Figure 13b). Reconnect the wire harness, (See Figure 14).

# SHELVING CONFIGURATIONS

## Refrigerator / Freezer

24" (61 cm) wide see Figure 22:

### Refrigerator:

- (2) Half width cantilever adjustable glass shelf. see Figure 25
- (1) Full width fixed position glass shelf
- (1) Roller glide clear crispener drawer

### Freezer:

- (1) Fixed position metal shelf, see Figure 27.

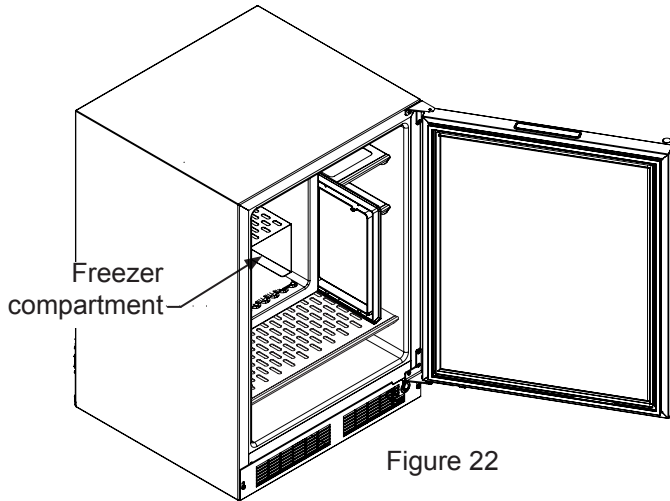


Figure 22

## Refrigerator / Freezer

24" (61 cm) wide see Figure 24:

### Refrigerator:

- (2) Half width cantilever adjustable glass shelf. see Figure 25
- (1) Roller glide full width flow thru shelf, Figure 28.

### Freezer:

- (1) Fixed position metal shelf, see Figure 27.

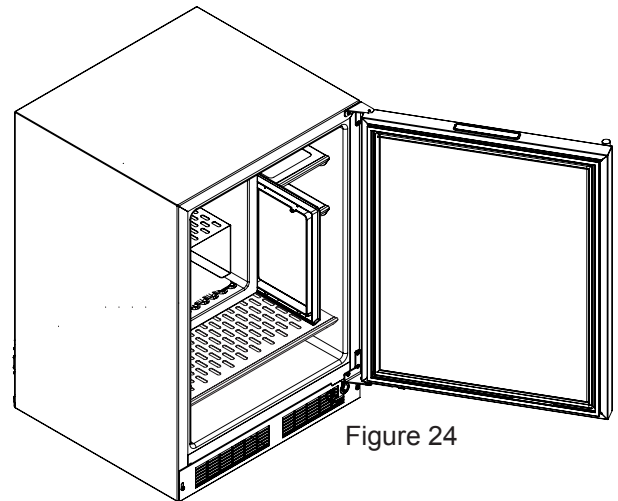


Figure 24

## Refrigerator / Ice-maker

24" (61 cm) wide see Figure 23:

### Refrigerator:

- (2) Half width cantilever adjustable glass shelf.
- (1) Full width fixed position glass shelf
- (1) Roller glide clear crispener drawer

### Freezer:

- (1) Ice-maker with ice bucket, see Figure 26.

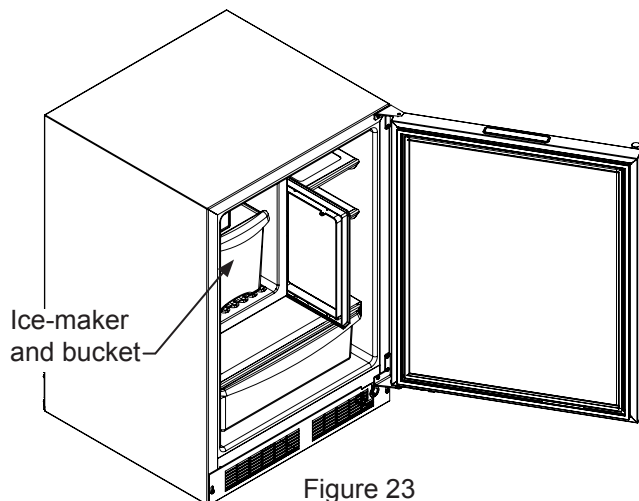


Figure 23

Figure 25  
Frame and flat glass shelf

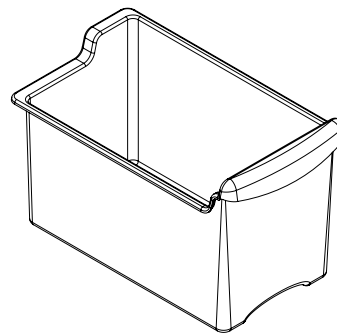
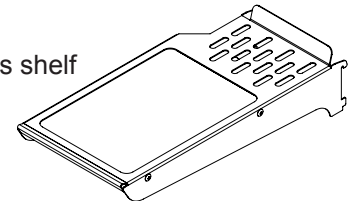
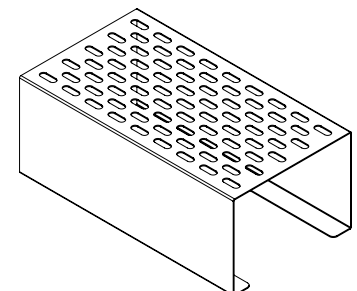


Figure 26  
Ice Bucket  
RI model only

Figure 27  
Freezer shelf  
RF model only



## SHELVING CONFIGURATIONS AND ENERGY SAVING TIPS

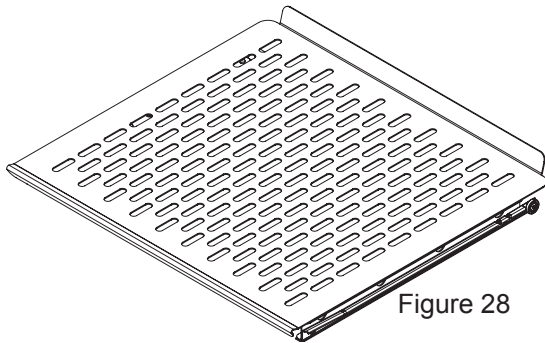


Figure 28

### CAUTION

Make sure your cantilever shelf is secure on the shelf supports by pressing down on the shelf before loading.

### CAUTION

Never try to move a loaded shelf, remove everything from the shelf before moving. Use both hands when moving the shelf.

### To Add or Remove a Shelf

Remove stored product from the shelf. Do not try to remove a loaded shelf from the appliance. Grasp the shelf front with both hands, rotate the front upward and lift out. (See Figure 29). To install a shelf insert the shelf in the appliance and insert the top hooks into the shelf support slots and drop the shelf down so the hooks drop over the bottom of the slots.

Grasp the shelf by the front with both hands and rotate the front of the shelf up, then lift the shelf up and remove the shelf from the shelf ladders.

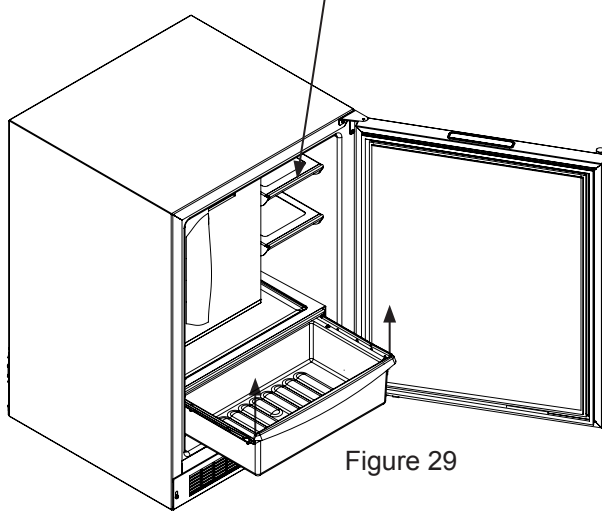


Figure 29

### To remove the crisper :

Pull out until it stops. Lift up on the front of the pan, and remove it from the frame.

### The following suggestions will minimize the cost of operating your refrigeration appliance.

1. Do not install your appliance next to a hot appliance (cooker, dishwasher, etc.), heating air duct, or other heat sources.
2. Install product out of direct sunlight.
3. Ensure the front grille vents at front of appliance beneath door are not obstructed and kept clean to allow ventilation for the refrigeration system to expel heat.
4. Plug your appliance into a dedicated power circuit. (Not shared with other appliances).
5. When initially loading your new product, or whenever large quantities of warm contents are placed within refrigerated storage compartment, minimize door openings for the next 12 hours to allow contents to pull down to compartment set temperature.
6. Maintaining a relatively full storage compartment will require less appliance run time than an empty compartment.
7. Ensure door closing is not obstructed by contents stored in your appliance.
8. Allow hot items to reach room temperature before placing in product.
9. Minimize door openings and duration of door openings.
10. Use the warmest temperature control set temperature that meets your personal preference and provides the proper storage for your stored contents.
11. When on vacation or away from home for extended periods, set the appliance to warmest acceptable temperature for the stored contents and raise the ice-maker bail arm to stop ice production.
12. Set the control to the "off" position if cleaning the appliance requires the door to be open for an extended period of time.

## CARE AND CLEANING AND OBTAINING SERVICE

### Front Grille

Be sure that nothing obstructs the required air flow openings in front of the cabinet. At least once or twice a year, brush or vacuum lint and dirt from the front grille area (see page 4).



### CAUTION

**SHOCK HAZARD:** Disconnect electrical power from the appliance before cleaning with soap and water.

### Cabinet

The painted cabinet can be washed with either a mild soap and water and thoroughly rinsed with clear water. NEVER use abrasive scouring cleaners.

### Interior

Wash interior compartment with mild soap and water. Do NOT use an abrasive cleaner, solvent, polish cleaner or undiluted detergent.

### Care of Appliance

1. Avoid leaning on the door, you may bend the door hinges or tip the appliance.
2. Exercise caution when sweeping, vacuuming or mopping near the front of the appliance. Damage to the grille can occur.
3. Periodically clean the interior of the appliance as needed.
4. Periodically check and/or clean the front grille as needed.

### In the Event of a Power Failure

If a power failure occurs, try to correct it as soon as possible. Minimize the number of door openings while the power is off so as not to adversely affect the appliance's temperature.

### Light assembly replacement

All models use LED lamps to illuminate the interior of the appliance. This component is very reliable, but should one fail, contact a qualified service technician for replacement of the LED.

### If Service is Required:

- If the product is within the first year warranty period please contact your dealer or call AGA MARVEL Customer Service at 800.223.3900 for directions on how to obtain warranty coverage in your area.
- If the product is outside the first year warranty period, AGA MARVEL Customer Service can provide recommendations of service centers in your area. A listing of authorized service centers is also available at [www.agamarvel.com](http://www.agamarvel.com) under the service and support section.
- In all correspondence regarding service, be sure to give the service number, serial number, and proof of purchase.
- Try to have information or description of nature of the problem, how long the appliance has been running, the room temperature, and any additional information that may be helpful in quickly solving the problem.
- Table "C" is provided for recording pertinent information regarding your product for future reference.

For Your Records	
Date of Purchase	
Dealer's name	
Dealer's Address	
Dealer's City	
Dealer's State	
Dealer's Zip Code	
Appliance Serial Number	
Appliance Service Number	
Date Warranty Card Sent (Must be within 10 days of purchase).	

Table C

# TROUBLESHOOTING REFRIGERATOR, FREEZER AND ICE-MAKER

## Before You Call for Service

If the appliance appears to be malfunctioning, read through this manual first. If the problem persists, check the troubleshooting guide below. Locate the problem in the guide and refer to the cause and its remedy before calling for service. The problem may be something very simple that can be solved without a service call. However, it may be required to contact your dealer or a qualified service technician.

## NOTE

Your product has an automatic defrost feature that utilizes an electric heater element. Periodically during defrost you may observe the following:

- Water dripping and running sounds as a result of the frost melt.
- Sizzling and popping sounds from water dripping on the heater element.
- A faint reddish glow in the freezer compartment from the electric heater element.

These are all “normal” operating characteristics related to refrigeration product incorporating automatic defrost. They do not represent any product fault or safety issue.

## CAUTION

In the unlikely event you lose cooling in your unit, **do not unplug the product from the electric supply**, but do call a qualified service technician immediately. It is possible that the loss of cooling capacity is a result of excessive frost build-up on the evaporator cooling coil. In this case, removing power to the unit will result in the melting of this excessive quantity of ice, which could generate melt water that exceeds the capacity of the defrost drain system and could result in water damage to your home. The end-user will be ultimately responsible for any water damage caused by prematurely turning the unit off without appropriately managing the excess water run-off.

## WARNING

### Electrocution Hazard

- Never attempt to repair or perform maintenance on the appliance until the main electrical power has been disconnected. Turning the appliance control "OFF" does not remove electrical power from the unit's wiring.
- Replace all parts and panels before operating.

Problem	Possible Cause	Remedy
Appliance not cold enough (See “Adjusting the temperature” on page 11)	<ul style="list-style-type: none"> <li>• Control set too warm</li> <li>• Content temperature not stabilized.</li> <li>• Excessive usage or prolonged door openings.</li> <li>• Airflow to front grille blocked.</li> <li>• Door gasket not sealing properly.</li> </ul>	<ul style="list-style-type: none"> <li>• Adjust temperature colder. Allow 24 hours for temperature to stabilize.</li> <li>• Allow temperature to stabilize for at least 24 hours.</li> <li>• Airflow must not be obstructed to front grille. See “clearances” on page 4.</li> <li>• Replace door gasket.</li> </ul>
Appliance too cold (See “Adjusting the Temperature” on page 11)	<ul style="list-style-type: none"> <li>• Control set too cold</li> <li>• Door gasket not sealing properly.</li> </ul>	<ul style="list-style-type: none"> <li>• Adjust temperature warmer. Allow 24 hours for temperature to stabilize.</li> <li>• Replace door gasket.</li> </ul>
No interior light.	<ul style="list-style-type: none"> <li>• Failed LED light assembly or light switch.</li> </ul>	<ul style="list-style-type: none"> <li>• Contact a qualified service technician.</li> </ul>
Light will not go out when door is closed	<ul style="list-style-type: none"> <li>• Door not activating light switch.</li> <li>• Failed light switch</li> </ul>	<ul style="list-style-type: none"> <li>• Appliance not level, level appliance, (See page 4, “leveling legs”)</li> <li>• Contact a qualified service technician.</li> </ul>
Noise or Vibration	<ul style="list-style-type: none"> <li>• Appliance not level</li> <li>• Fan hitting tube obstruction.</li> </ul>	<ul style="list-style-type: none"> <li>• Level appliance, see “Leveling Legs” on page 4.</li> <li>• Contact a qualified service technician.</li> </ul>
Appliance will not run.	<ul style="list-style-type: none"> <li>• Appliance turned off</li> <li>• Power cord not plugged in.</li> <li>• No power at outlet.</li> </ul>	<ul style="list-style-type: none"> <li>• Turn appliance on. See “Starting your appliance” on page 10.</li> <li>• Plug in power cord.</li> <li>• Check house circuit.</li> </ul>

## TROUBLESHOOTING ICE-MAKER

Problem	Possible Cause	Remedy
Unit operates but produces little or no ice.	<ul style="list-style-type: none"> <li>The unit has just been started and it has been less than 24 hours.</li> </ul>	<ul style="list-style-type: none"> <li>Typical ice production is 6 to 7 pounds per day. Allow for the freezer section to reach temperature and the ice-maker to cycle and accumulate ice.</li> </ul>
	<ul style="list-style-type: none"> <li>Water supply is not turned on.</li> </ul>	<ul style="list-style-type: none"> <li>Turn on water supply to the unit.</li> </ul>
	<ul style="list-style-type: none"> <li>Inadequate water pressure to unit.</li> </ul>	<ul style="list-style-type: none"> <li>Water pressure to the unit must be at a minimum of 20 psi.</li> </ul>
	<ul style="list-style-type: none"> <li>The ice-maker shut off arm is in the uppermost / off position.</li> </ul>	<ul style="list-style-type: none"> <li>When the ice-maker shut off arm is in the uppermost position, the ice-maker is off. Flip the shut off arm down to turn on the ice maker.</li> </ul>
	<ul style="list-style-type: none"> <li>Freezer section has not reached temperature.</li> </ul>	<ul style="list-style-type: none"> <li>Allow the freezer section to reach temperature.</li> </ul>
	<ul style="list-style-type: none"> <li>Thermostat control set too warm.</li> </ul>	<ul style="list-style-type: none"> <li>Turn the temperature control to a higher number to allow the unit to run colder. Allow 24 hours before readjusting the temperature control.</li> </ul>
	<ul style="list-style-type: none"> <li>Condenser fan air flow is restricted.</li> </ul>	<ul style="list-style-type: none"> <li>Make certain the grille in front of the unit is free and open for air circulation. Clean grille as required.</li> </ul>
	<ul style="list-style-type: none"> <li>Room and/or water temperature is too warm.</li> </ul>	<ul style="list-style-type: none"> <li>Move the unit to an area where ambient temperature is below 90°F. The unit should not be placed next to a heat source such as an oven. Check for cold water connection.</li> </ul>
Small ice cubes	<ul style="list-style-type: none"> <li>The water pressure is too low.</li> </ul>	<ul style="list-style-type: none"> <li>The water supply line is kinked.</li> <li>Sediment build-up in supply line.</li> </ul>
	<ul style="list-style-type: none"> <li>Water input may require adjustment.</li> </ul>	<ul style="list-style-type: none"> <li>Due to differing water pressures, the ice-maker water input may require adjustment. Contact a qualified service technician.</li> </ul>
Ice cubes are sticking together.	<ul style="list-style-type: none"> <li>Ice consumption is low.</li> </ul>	<ul style="list-style-type: none"> <li>Ice will stick together if stored for long periods of time.</li> </ul>
	<ul style="list-style-type: none"> <li>Hollow ice cubes with liquid centers that break when dispensed into the bucket.</li> </ul>	<ul style="list-style-type: none"> <li>Ice-maker malfunction, call for service.</li> </ul>



# HOUSEHOLD PRODUCT WARRANTY

## Entire Product

### Limited One Year Parts and Labor Warranty

AGA MARVEL warrants that it will supply all necessary parts and labor to repair or replace in the end user's home or office, any component which proves to be defective in material or workmanship, subject to the condition and exclusions stated below, for a period of one year from the date of purchase by the end user.

### Additional Second Through Fifth Year

#### Limited Parts Only Warranty

During the four years following expiration of the one year limited warranty, AGA MARVEL will supply replacement parts for the hermetically sealed refrigeration system which consists of the compressor, condenser, drier, accumulator, bypass valve, connecting tubing and the evaporator that are proven to be defective due to workmanship or materials subject to the conditions and exclusions below.

The above warranties do not cover:

- Shipping costs of replacement parts or returned defective parts.
- Customer education or instructions on how to use the appliance.
- Any content loss due to product failure.
- Removal or installation of product.

Nor do the above warranties cover failure of this product or its components due to:

- Transportation or subsequent damages.
- Commercial use or use other than normal household or small office.
- Improper installation, misuse, abuse, accident or alteration, use of wiring not conforming to electrical codes, low or high voltages, failure to provide necessary maintenance, or other unreasonable use.

## Parts or Service

### Not Supplied or Designated by AGA MARVEL

The above warranties also do not apply if:

- The original bill of sale, deliver date, or serial number cannot be verified.
- Defective parts are not returned for inspection if so requested by AGA MARVEL.
- The refrigeration equipment is not in the possession of the original end use purchaser.

The warranties set forth herein are the only warranties extended by AGA MARVEL. Any implied warranties, including the implied warranty of merchantability, are limited to the duration of these express warranties. In no event shall AGA MARVEL be liable for any consequential or incidental damages or expenses resulting from breach of these or any other warranties, whether express or implied.

Some states do not allow the exclusion or limitation of consequential damages or a limitation on how long an implied warranty lasts, so the above exclusion or limitation may not apply to you. This warranty gives you specific legal rights and you may have other rights that may vary from state to state.

No person, firm, or corporation is authorized to make any other warranty or assume any other obligation for AGA MARVEL. These warranties apply only to products used in any of the fifty states of the United States and the District of Columbia.

To obtain performance of this warranty, report any defects to:

**AGA MARVEL**  
1260 E. VanDeinse St.  
Greenville MI 48838

Phone: 800.223.3900



[www.agamarvel.com](http://www.agamarvel.com)

**AGA MARVEL**

1260 E. VanDeinse St.  
Greenville MI 48838

800.223.3900

41014824-EN Rev B  
4/11/17

All specifications and product designs subject to change without notice. Such revisions do not entitle the buyer to corresponding changes, improvements, additions, replacements or compensation for previously purchased products.

- EN Installation, Operation and Maintenance Instructions  
FR Instructions d'installation, d'utilisation et d'entretien  
ES Instrucciones de instalación, operación y mantenimiento

Refrigerator / Freezer  
Réfrigérateur / Congélateur  
Refrigerador / Congelador

**ML24RFP0\*\***

**ML24RFS0\*\***

**ML24RFP4\*\***

**ML24RFS3\*\***

**ML24RIP5\*\***

**ML24RIS4\*\***



# CONTENU

## Contenu :

Informations de sécurité.....	2
Déballage de votre appareil .....	3
Enregistrement de la garantie .....	3
Installation de votre appareil .....	4
Dégagements par rapport à l'armoire .....	4
Mise à niveau de l'appareil .....	4
Raccordement électrique.....	5
Installation de L'alimentation en eau .....	6
Fonctionnement de la fabrication des glaçons .....	7
Dimensions du produit.....	8
Démarrage de votre appareil .....	10
Utilisation de votre commande électronique .....	10
Mode veille .....	10
Mise en marche et arrêt de votre appareil .....	11
Réglage de la température .....	11
Mode température .....	11
Verrouillage des commandes .....	11
Codes d'erreur des capteurs de température .....	12
Alertes.....	12
Porte entrouverte .....	12
Panne de secteur .....	13
Alerte de température .....	13
Mode vacances .....	13
Installation de panneau de revêtement .....	14
Configurations de étagères .....	18
Enlèvement des étagères .....	19
Conseils pour l'économie d'énergie .....	19
Entretien et nettoyage .....	20
Obtention de service .....	20
Dépannage.....	21
Garantie.....	23

## Importantes instructions de sécurité

Les avertissements et les instructions de sécurité qui apparaissent dans ce guide n'ont pas la prétention de couvrir toutes les conditions et situations possibles pouvant arriver. Il faut faire preuve de bon sens, de précautions et de soins, pour installer, utiliser ou entretenir cet appareil.

## Reconnaissance des symboles, des mots et des étiquettes concernant la sécurité.

### **AVERTISSEMENT**

**AVERTISSEMENT** - Risque possible de décès ou de blessure grave si vous ne suivez pas les instructions.

### **ATTENTION**

**ATTENTION** - Risques ou pratiques dangereuses pouvant entraîner des blessures individuelles, des dégâts matériels ou des dommages au produit.

### **REMARQUE**

**REMARQUE** - Information importante pour réaliser une installation et une utilisation sans problèmes.

### **AVERTISSEMENT**

**Avertissements de la proposition 65 de l'État de Californie**  
: Ce produit contient au moins un produit chimique connu par l'État de Californie pour être à l'origine de cancers.

### **AVERTISSEMENT**

**Avertissements de la proposition 65 de l'État de Californie**  
: Ce produit contient au moins un produit chimique connu par l'État de Californie pour être à l'origine de malformations et autres déficiences de naissance.



**AGA MARVEL** s'engage à fabriquer un produit de qualité d'une manière ne nuisant pas à l'environnement. Nos procédés sont sévèrement contrôlés et surveillés de près. Nous avons obtenus les certifications ISO 9001 d'assurance qualité, et ISO 14001 de gestion environnementale, et OHSAS 18001 pour hygiène et sécurité du travail de Lloyd's Register Quality Assurance.

# DÉBALLAGE DE VOTRE APPAREIL



## AVERTISSEMENT

### AVERTISSEMENT RISQUE DE POIDS EXCESSIF

Utilisez deux personnes ou plus pour déplacer le produit.  
Sinon vous pourriez vous blesser.

### Enlèvement de l'emballage intérieur

Votre cellier a été emballé pour l'expédition avec toutes les pièces pouvant être endommagées par le mouvement solidement attachées. Enlevez les matériaux d'emballage intérieur et toute bande maintenant des composants intérieurs en place. Le manuel de l'utilisateur est envoyé à l'intérieur de l'appareil dans un sac en plastique, accompagné de la carte d'enregistrement de la garantie, et d'autres articles accessoires.

### Important

Conservez votre carton d'emballage jusqu'à ce que votre cellier ait été complètement inspecté et trouvé en bon état. S'il présentait des dommages, cet emballage serait nécessaire comme preuve qu'ils sont survenus durant le transit. Ensuite veuillez mettre tous ces matériaux d'emballage au rebut d'une façon responsable.



## AVERTISSEMENT

**AVERTISSEMENT** - Jetez bien les sacs en plastique qui représentent un risque de suffocation.

### Note pour le client

Cette marchandise a été soigneusement et complètement inspectée avant de quitter notre usine. La responsabilité pour sa livraison sûre a été assumée par le revendeur à l'acceptation de cette expédition. Les réclamations pour perte ou dommages survenus durant le transit sont à adresser au revendeur.

## REMARQUE

NE RENVOYEZ PAS DE MARCHANDISE ENDOMMAGÉE AU FABRICANT – DÉPOSEZ UNE RÉCLAMATION AUPRÈS DU REVENDEUR.



## ATTENTION

Si l'appareil a été livré, manipulé ou entreposé dans une position autre que debout, pendant une durée quelconque, laissez-le reposer debout pendant au moins 24 heures avant de le brancher électriquement. Cela assurera le retour de l'huile au compresseur. Un branchement immédiat de l'appareil pourrait endommager des parties internes.

### Enregistrement de la garantie

Il est important que vous postiez votre carte d'enregistrement de garantie immédiatement après avoir reçu la livraison de votre celliers, vous pouvez aussi l'enregistrer en ligne sur le site [www.agamarvel.com](http://www.agamarvel.com).

**Enregistrement en ligne disponible sur [www.agamarvel.com](http://www.agamarvel.com)**

Les informations suivantes seront nécessaires au moment de l'enregistrement de votre appareil :

Numéro de service  
Numéro de série  
Date d'achat  
Nom et adresse du revendeur

Le numéro de service et le numéro de série se trouvent sur la plaque signalétique qui est située à l'intérieur de l'armoire, du côté gauche près du haut (Voyez la Figure 1).

<b>AGA MARVEL</b>	
GREENVILLE, MI 48838	
MODEL NO.	<input type="text"/>
SERVICE NO.	<input type="text" value="XXXXXXXXXXXX"/>
SERIAL NO.	<input type="text" value="XXXXXXXXXXXX"/>
Hz <input type="text"/>	VOLTS <input type="text"/>
AMPS <input type="text"/>	R134A <input type="text"/> oz
TEST PRESSURE 140 PSI LOW SIDE 300 PSI HIGH SIDE	

Figure 1



## AVERTISSEMENT

### AVERTISSEMENT - Contribuez à éviter des tragédies

L'emprisonnement d'enfants et leur asphyxie ne sont pas des problèmes du passé. Des épaves de réfrigérateurs abandonnés continuent de présenter un danger - même en restant dehors pour «juste quelques heures».

Si vous devez vous débarrasser de votre vieil appareil de refroidissement, veuillez suivre ces instructions pour aider à éviter des accidents possibles.

Avant de jeter votre vieux réfrigérateur ou congélateur :

- Démontez ses portes ou enlevez ses tiroirs.
- Laissez les étagères en place de façon à ce que des enfants ne puissent pas facilement monter dedans.

# INSTALLATION DE VOTRE APPAREIL

## Choix de l'emplacement

Un bon emplacement assurera une performance de pointe pour votre appareil. Nous recommandons un endroit où l'appareil ne sera pas exposé directement au rayonnement solaire et restera écarté de sources de chauffage. Pour assurer que les performances de votre produit soient au niveau de ses spécifications, la plage de températures recommandée au lieu d'installation sera de 55 à 100°F (13 à 38 °C).

## Dégagements par rapport à l'armoire

Une ventilation est nécessaire depuis la section frontale du bas de l'armoire. Gardez cette zone libre et exempte de toutes obstructions. Des meubles et comptoirs peuvent être installés autour de l'unité de façon adjacente dans la mesure où sa grille frontale restera non obstruée. Les modèles à revêtement de porte avec charnières articulées sont prévus pour des applications encastrées uniquement.

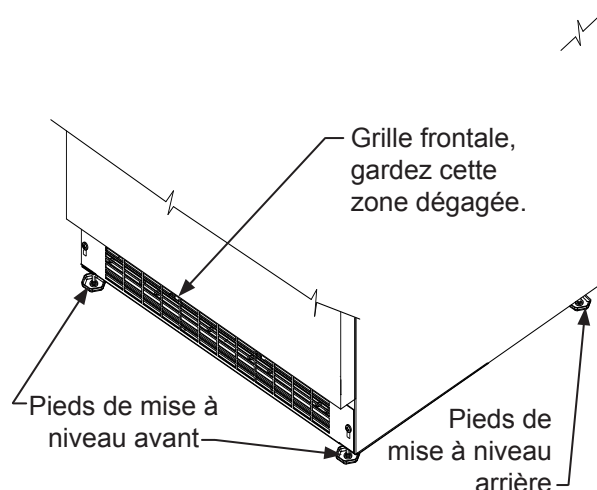


Figure 2



## AVERTISSEMENT

Un kit optionnel d'empilage est nécessaire pour empiler des produits. Le fait de ne pas utiliser de kit d'empilage peut entraîner une blessure corporelle. Contactez votre revendeur ou le service à la clientèle de Marvel au 800-223-3900 pour le commander.

## Pieds de mise à niveau

Des pieds réglables aux angles avant et arrière de l'armoire doivent être ajustés pour qu'elle soit fermement positionnée au sol et bien d'aplomb, d'un côté à l'autre et d'avant en arrière. La hauteur totale de votre appareil Marvel peut être ajustée entre le minimum (en vissant les pieds de mise à niveau, CW ↻) et le maximum (en dévissant les pieds de mise à niveau CCW ↻) des dimensions comme c'est montré au Tableau «A».

Pour régler ces pieds de mise à niveau, placez l'appareil sur une surface solide, en protégeant le sol en dessous pour ne pas le rayer. Avec l'aide d'une autre personne, inclinez vers l'arrière de l'appareil pour accéder aux pieds de mise à niveau de l'avant. Levez ou abaissez ces pieds à la hauteur requise en les tournant. Répétez la procédure pour les pieds arrière en inclinant le cellier vers l'avant en faisant attention. Sur une surface plane, vérifiez le niveau de l'appareil et ajustez les pieds en conséquence.

Les vis de la grille frontale peuvent être desserrées et la grille ajustée à la hauteur voulue. Quand le réglage est fait resserrez les vis de la grille frontale (Voyez la Figure 5).



## ATTENTION

## Grille frontale

N'obstruez pas la grille frontale. Les ouvertures au travers de la grille frontale permettent l'écoulement de l'air par l'échangeur thermique du condenseur. Des restrictions de ce flux d'air vont augmenter la consommation d'énergie et affecter sa capacité de refroidissement. C'est pourquoi il est important que cette zone ne soit pas obstruée et soit maintenue propre. AGA MARVEL recommande de ne pas utiliser de grilles personnalisées, car l'écoulement d'air en serait diminué (Voyez la Figure 2).

Modèle	Style de Porte	Hauteur minimum	Hauteur maximum
ML24	S	33 ¾ po (85,7 cm)	34 ¾ po (88,3 cm)
ML24	P	34 po (86,4 cm)	35 po (88,9 cm)

Tableau A

# INSTALLATION DE VOTRE APPAREIL

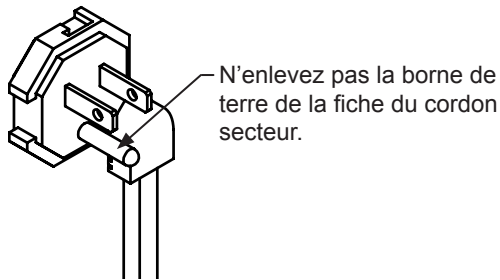


Figure 3

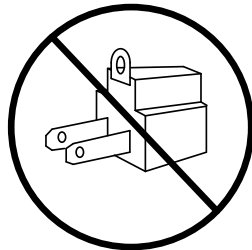


Figure 4

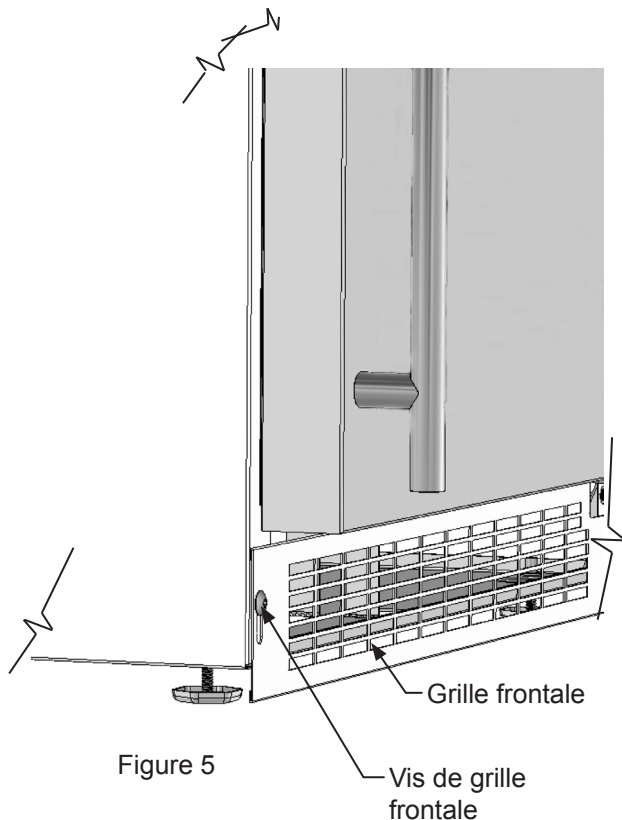


Figure 5



## AVERTISSEMENT

### Risque de commotion électrique

- N'utilisez pas de rallonge secteur avec cet appareil. Cela peut être dangereux et peut affecter la performance du produit.
- Cet appareil ne doit sous aucun prétexte être installé sur une alimentation électrique sans liaison de terre.
- N'enlevez pas la borne de terre de la fiche du cordon secteur. (Voyez la Figure 3).
- N'utilisez pas d'adaptateur entre fiche et prise. (Voyez la Figure 4).
- N'envoyez pas d'eau par éclaboussure ou par jet d'un tuyau sur l'appareil. Cela pourrait causer une commotion électrique, entraînant potentiellement des blessures graves voire mortelles.

### Raccordement électrique

Un circuit secteur dédié en 115 V supportant 15 A est nécessaire.

Ce produit est équipé en usine d'un cordon secteur comportant une fiche avec terre à trois broches. Il faut la brancher dans une prise secteur correspondante avec terre, en conformité avec la norme électrique américaine et les normes et réglementations locales applicables (Voyez la Figure 6). Si le circuit ne comporte pas une prise avec terre, le client doit en fournir une adéquate; c'est sa responsabilité et son obligation. La troisième broche de terre ne doit en aucun cas être coupée ou enlevée.

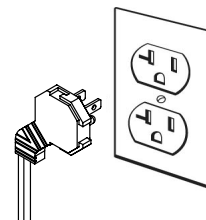


Figure 6

## REMARQUE

Un disjoncteur sur détection de courant de fuite (GFCI) a tendance à provoquer des déclenchements intempestifs qui peuvent arrêter l'appareil. Ce type de protection n'est en général pas utilisé sur de l'équipement électrique qui doit tourner sans surveillance pendant de longues périodes, sauf si c'est imposé par les normes de construction et réglementations locales.



# INSTALLATION DE L'ALIMENTATION EN EAU POUR LES MODÈLES ML24RI ET ML24RF AVEC KIT OPTIONNEL DE PRODUCTION DE GLAÇONS

## REMARQUE

Si vous avez un modèle ML24RI la machine à glaçons est déjà installée en usine.

Un kit de machine à glaçons optionnel (référence de pièce S42418151) est disponible pour le modèle ML24RF, qui inclut toutes les pièces nécessaires pour l'installation. Ce kit peut être obtenu via le service à la clientèle de Marvel en appelant le 800-223-3900.

## Alimentation en eau

### ATTENTION

Respectez et observez toutes les normes locales pour l'installation de cet appareil.

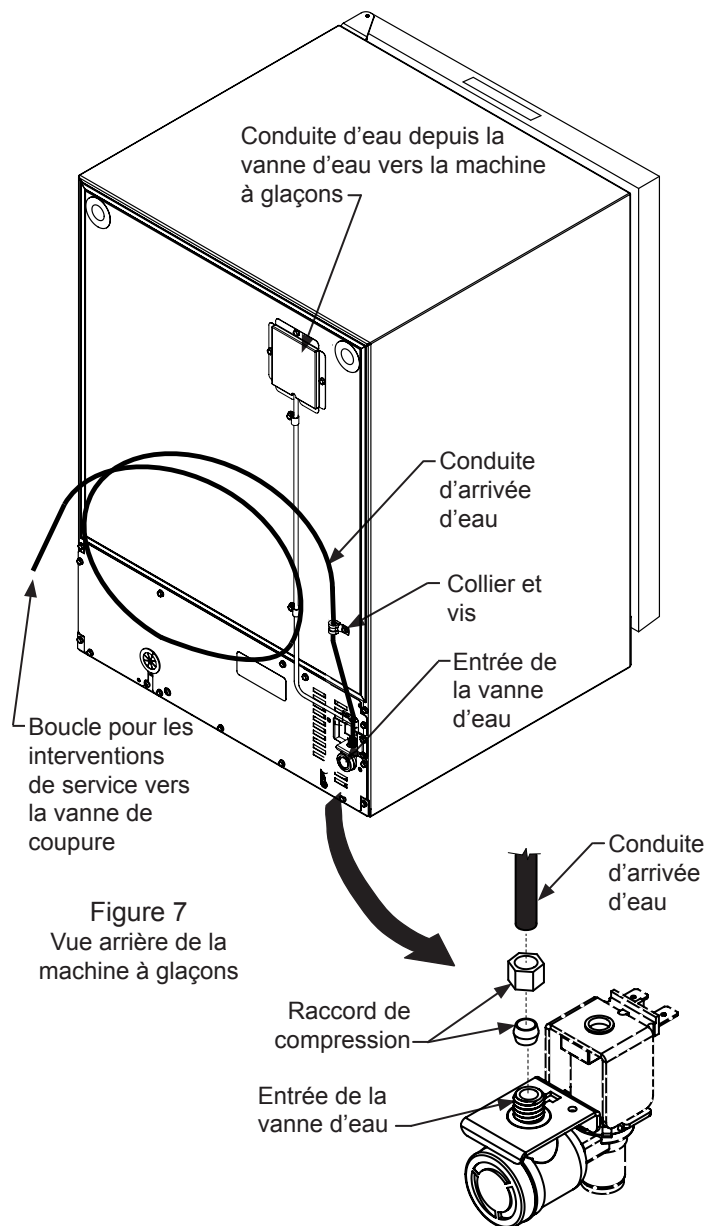
Utilisez du tube de cuivre de 1/4" diamètre extérieur pour votre arrivée d'eau, disponible localement dans toute quincaillerie ou magasin de fournitures de plomberie. Formez le tuyau de cuivre de 1/4" en fonction des besoins de votre installation, en prenant soin de ne pas le pincer. Achetez suffisamment de tube en cuivre et enroulez-le derrière l'appareil pour former une "boucle pour interventions de service", qui permettra que l'appareil soit tiré et sorti à des fins de dépannage ou de nettoyage. Connectez le tube en cuivre sur la partie haute d'un tuyau d'arrivée d'eau froide, pour éviter que la machine à glaçons ne s'obstrue avec des sédiments.

Une vanne de coupure est recommandée sur la conduite d'alimentation en eau pour faciliter les interventions sur l'appareil. **REMARQUE : UNE VANNE DE TYPE À AUTO-PERÇAGE N'EST PAS RECOMMANDÉE** car elle est susceptible d'obstruction avec des sédiments qui causerait une chute de pression et réduirait l'alimentation en eau de l'appareil.

Connectez la tubulure en cuivre d'alimentation en eau sur entrée de la vanne d'eau avec le raccord à écrou de compression fourni. Fixez la conduite d'arrivée d'eau sur l'arrière de l'armoire avec la vis et le collier fournis à l'angle du panneau arrière (Voyez la Figure 7).

La pression de l'eau doit faire au moins 20 psi pour un bon fonctionnement, avec un maximum de 120 psi.

Assurez-vous que toutes les connexions d'eau sont étanches après l'installation. Formez le tube de façon à ce qu'il ne vibre pas contre le corps de l'armoire ou ne s'écrase pas quand la machine est poussée en place.



## REMARQUE

- N'utilisez aucun produit d'étanchéification des filetages sur les raccords de conduite d'eau.
- De l'eau adoucie par osmose inversée ou dé-ionisée n'est pas recommandée car cela pourrait affecter la qualité des glaçons.

# FONCTIONNEMENT DE LA FABRICATION DES GLAÇONS



## ATTENTION

L'alimentation en eau de la machine à glaçons doit être ouverte avant de mettre la machine à glaçons en marche. Ne pas le faire causerait rapidement un cycle à sec du réchauffeur de moulage ce qui entraînerait des problèmes de contrôle thermique dans le compartiment de congélation.

### Fonctionnement de la fabrication des glaçons

- L'appareil doit être installé bien d'aplomb pour le bon fonctionnement de la production des glaçons.
- La tige du bras de coupure doit être abaissée en position la plus basse pour que la production de glaçons soit possible. (Voyez la Figure 8).
- Quand la section de congélation et de fabrication de glaçons a suffisamment refroidi, la machine va produire automatiquement des glaçons.
- Quand le bac à glaçons est plein, la machine à glaçons s'arrêtera automatiquement.
- Vous pouvez aussi arrêter manuellement la machine en relevant le bras de coupure en position de verrouillage tout en haut. (Voyez la Figure 8).

## REMARQUE

Il est recommandé que la machine à glaçons soit coupée en enlevant le bac, sinon des glaçons seront distribués sur le plancher du compartiment de congélateur.

Si les glaçons ne sont pas prélevés régulièrement, ils auront tendance à s'agglomérer dans le temps. Pour obtenir les meilleurs résultats, jetez les vieux glaçons produits et laissez la machine à glaçons en produire un nouveau lot de tout frais. Coupez la machine à glaçons en relevant le bras de coupure avant d'enlever le bac.

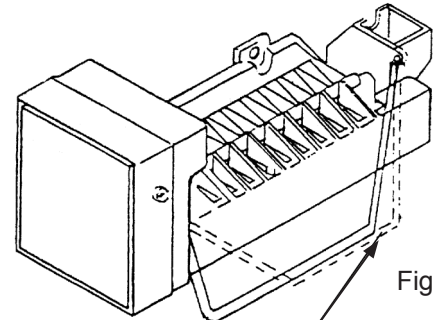


Figure 8

Bras baissé = machine activée

Bras relevé = machine arrêtée

### Entreposage bref ou prolongé de la machine à glaçons :

Quand le fonctionnement de l'appareil doit être arrêté pour un certain temps, le moule de fabrication des cubes de glace dans la machine à glaçons doit être vidé, en permettant à la machine à glaçons d'en distribuer pendant que l'alimentation en eau est coupée.

1. Coupez l'alimentation en eau.
2. Levez le bras de coupure de la machine à glaçons.
3. Videz le bac à glaçons.
4. Remettez le bac à glaçons en place et rabaissez le bras de coupure.

La distribution des derniers cubes se fera dans les deux heures. Ensuite, videz, nettoyez et remettez en place le bac à glaçons, et relevez le bras de coupure.

## DIMENSIONS DU PRODUIT

MODÈLE	DIMENSIONS D'OUVERTURE BRUTE			DIMENSIONS D'ARMOIRE					
	«A»	«B»	«C»	«D»	«E»	«F»	«G»	«H»	«J»
ML24R*S	24 po (61 cm)	**34 po à 35 po (86,4 à 88,9 cm)	24 po (61 cm)	23 <sup>7</sup> / <sub>8</sub> po (60,7 cm)	33 <sup>3</sup> / <sub>4</sub> po à 34 <sup>3</sup> / <sub>4</sub> po (85,7 à 88,3 cm)	23 <sup>3</sup> / <sub>2</sub> po (60,2 cm)	25 <sup>2</sup> / <sub>2</sub> po (65,2 cm)	46 <sup>1</sup> / <sub>2</sub> po (117,9 cm)	25 <sup>1</sup> / <sub>16</sub> po (65,2 cm)
ML24R*P	24 po (61 cm)	**34 <sup>1</sup> / <sub>4</sub> po à 35 <sup>1</sup> / <sub>4</sub> po (87 à 89,5 cm)	* 24 po (61 cm)	23 <sup>7</sup> / <sub>8</sub> po (60,7 cm)	34 po à 35 po (86,4 à 88,9 cm)	22 <sup>7</sup> / <sub>8</sub> po (58,1 cm)	-	46 <sup>1</sup> / <sub>2</sub> po (118,1 cm)	23 <sup>7</sup> / <sub>8</sub> po (58,7 cm)

STYLE DE PORTE
(S) Porte pleine
(P) Porte pleine à revêtement (sans poignée)

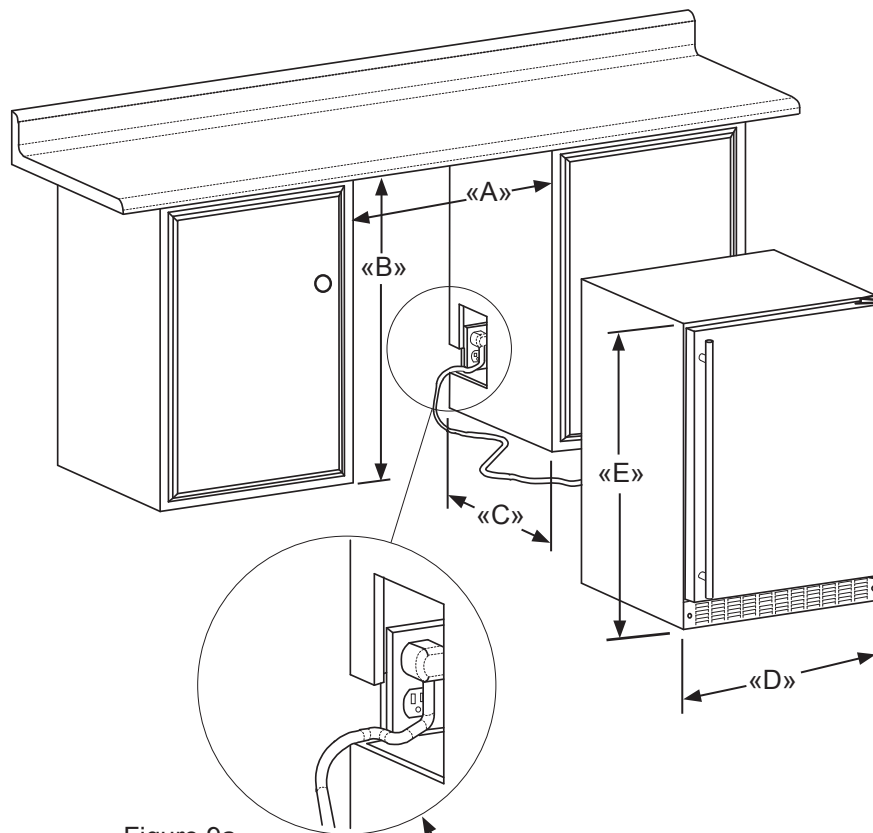


Figure 9

Figure 9a

S'il est nécessaire de gagner du dégagement à l'intérieur de l'ouverture brute, un trou peut être percé au travers du meuble adjacent et le cordon d'alimentation passé par ce trou jusqu'à une prise secteur. Une autre façon d'augmenter la profondeur disponible dans l'ouverture est d'encaster la prise secteur dans le mur arrière afin de gagner l'épaisseur de la fiche du cordon. Tous les types de prises secteur encastrées ne fonctionneront pas pour cette application car elles pourraient être trop étroites, mais un modèle équivalent à l'Arlington #DVFR1W est recommandé pour cette application (Voyez la Figure 10).



Figure 10

## DIMENSIONS DU PRODUIT

MODÈLE	DONNÉES DE PRODUIT	
	BESOINS ÉLECTRIQUES #	POIDS DU PRODUIT
ML24R*S	115V/60Hz/15A	140 lb (63.6 kg)
ML24R*P	115V/60Hz/15A	140 lb (63.6 kg)

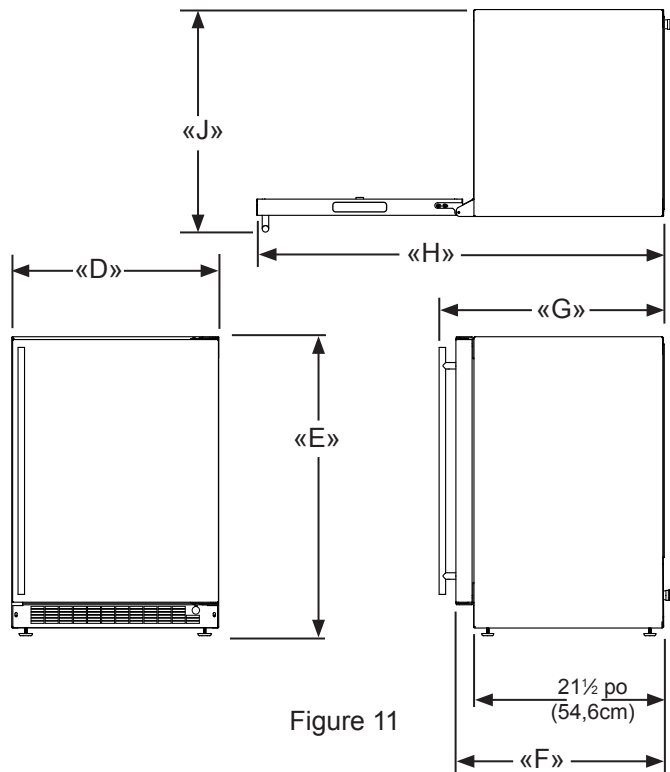
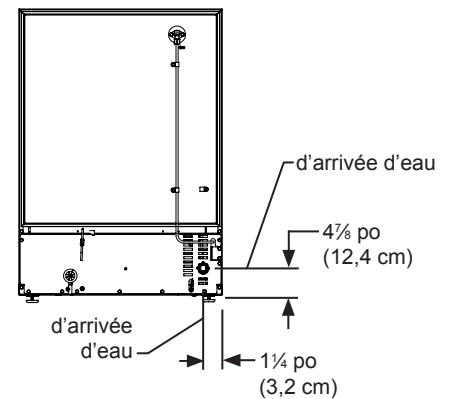


Figure 11



\* Pour installer les modèles (P) avec la face de porte alignée avec les portes des meubles de rangement adjacents, l'épaisseur du panneau décoratif du client ne peut pas dépasser  $\frac{3}{4}$  po (19mm).

\*\* L'ouverture brute minimale nécessaire doit être supérieure à la hauteur ajustée de l'armoire.

# Un circuit secteur dédié avec liaison de terre supportant 15 A est nécessaire. Appliquez toutes les normes de construction locales à l'installation de l'électricité et de l'appareil.

# DÉMARRAGE DE VOTRE CELLIERS

Power Failure



## REMARQUE

Votre produit comporte d'une fonction de dégivrage automatique qui utilise un élément de chauffage électrique. Périodiquement pendant le dégivrage vous pouvez observer la suivant :

- Des sons de l'eau gouttant et coulant causés par le fondant du givre.
- Les grésillements et les craquements des gouttes d'eau tombant sur l'élément chauffant.
- Une faible lumière rougeâtre dans le compartiment congélateur venant de l'élément de chauffage électrique.

Ceux sont toutes des caractéristiques "normales" de fonctionnement liés aux produits de réfrigération incorporant dégivrage automatique. Ils ne représentent pas un défaut du produit ni une question de sécurité.

## Démarrage de votre celliers :

Branchez la prise du cordon d'alimentation du cellier dans une prise murale de secteur 115 V. Votre appareil sort de l'usine en position de marche (ON) et va commencer le refroidissement dès sa mise sous tension. Si l'appareil ne démarre pas, vérifiez que la prise murale est alimentée et que la commande est bien en position de marche (ON). Voyez la partie «Mise en marche et arrêt de votre appareil».

L'afficheur de votre commande est protégé d'un film transparent en plastique. Ce film doit être ôté en le pelant soigneusement à partir d'un angle.

Au démarrage initial, l'afficheur du contrôle montre une alerte «Panne secteur». C'est une condition normale, car le cellier a été alimenté en usine pour l'inspection de qualité et a été débranché. Un appui momentané sur la touche M/A (ON/OFF) va effacer cette condition d'alerte. (Voyez la section sur les alertes en page 12).



Figure 12  
Commandes électroniques

## Utilisation de votre commande électronique

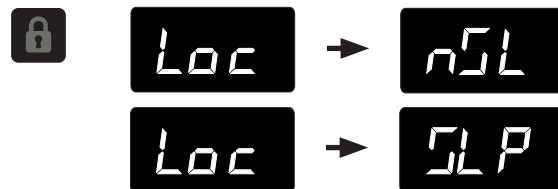


Pour activer l'affichage, appuyez sur n'importe quelle touche. Un signal sonore de confirmation retentira, et la température actuelle du compartiment de conservation sera affichée.

### Mode veille :

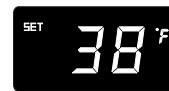
Si aucune commande n'est actionnée pendant 60 secondes, l'afficheur va passer en mode veille pour économiser l'énergie. Le panneau de commande va s'éteindre à l'exception de l'indicateur de statut de système «OK» qui va rester activé. D'éventuelles conditions d'alerte vont réveiller l'afficheur (Voyez les alertes en page 12).

**Afin d'effectuer les changements entre parenthèses à la configuration de commandes (mise en marche ou arrêt, réglage de température de consigne, changement des éclairages d'intérieur, activation du mode vacances), la commande doit être réveillée.**



Le mode veille peut être désactivé si vous préférez obtenir un affichage continu. Appuyez sur la commande de verrouillage (symbole de verrouillage) jusqu'à ce que l'afficheur quitte «Loc» et montre «nSL». Pour activer le mode de veille, répétez la même opération, jusqu'à ce que l'afficheur quitte «Loc» et montre «SLP».

# UTILISATION DE VOTRE COMMANDE ÉLECTRONIQUE



## Passage de l'appareil en marche ou arrêt :

Si l'appareil est en marche (ON), et n'est pas en mode veille, la température sera montrée dans la zone d'affichage de la commande. Pour arrêter le cellier, appuyez sur le bouton «ON/OFF» en le maintenant enfoncé pendant (4) secondes. «OFF» sera maintenant affiché à la commande.



Pour remettre le cellier en marche (ON), appuyez sur le bouton «ON/OFF» en le maintenant enfoncé pendant (4) secondes.

## Réglage de la température :

### REMARQUE

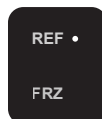
Quand vous chargez au tout début votre cellier avec des produits encore tièdes, il peut falloir jusqu'à 48 heures pour que la température du compartiment de conservation se stabilise.

Quand vous effectuez des changements de point de consigne, cela peut prendre 24 heures pour que les denrées conservées se stabilisent à cette nouvelle température.

Certains facteurs affectent la température stabilisée du compartiment de conservation :

- Changements de consigne de température.
- Changements de température ambiante de la pièce.
- Température des denrées du cellier.
  - Chargement de nouvelles denrées plus chaudes.
  - Un contenu chargé froid va retarder le passage à une température de consigne plus chaude.
  - Un contenu chargé chaud va retarder le passage à une température de consigne plus froide.
- Habitudes d'utilisation (nombre et durée des ouvertures de porte).
- Utilisation de l'éclairage de présentation du compartiment d'entreposage (cellier à porte en verre uniquement).
- Installation du cellier à la lumière solaire directe ou près d'une source de chaleur.

Compartiment  
congélateur  
sélectionné



Compartiment  
réfrigérateur  
sélectionné

Les températures peuvent être définies individuellement pour chaque compartiment (réfrigérateur ou congélateur / machine à glaçons). Pour cela vous devez d'abord activer la zone pour laquelle vous voulez fixer la température.

Vous le faites en appuyant sur le bouton de réfrigérateur (REF) ou de congélateur (FRZ) sur l'afficheur. Après cela le voyant DEL sera éclairé pour la zone activée concernée.

Pour changer le point de consigne de température pour une zone particulière (avec la commande électronique sortie de son mode veille), appuyez sur les touches "-" ou "+". "SET" (Réglage) sera indiquée sur le panneau d'interface utilisateur et la consigne actuelle de température sera affichée et clignotera. Des appuis sur les touches "-" ou "+" par la suite abaisseront ou élèveront respectivement la consigne. Quand vous avez atteint la valeur de consigne de température que vous désiriez, appuyez sur la commande M/A (On/Off) pour valider, ou si vous ne faites rien le mode de réglage va se désactiver 10 secondes après, et la température affichée sera prise comme le prochain point de consigne.

La plage de température pour le point de consigne acceptable pour votre appareil va de -6°F (-21 °C) à 6°F (-14 °C) pour le compartiment congélateur, et de 34°F (1,2 °C) to 42°F (5,7 °C) pour le compartiment réfrigérateur. Si vous essayez de régler la consigne hors de cette plage vous recevrez une notification de refus sonore.



## Mode d'affichage de température :

Le mode de température est préréglé en usine pour degrés Fahrenheit (°F), mais vous avez l'option de commuter l'affichage en degrés Celsius (°C). Pour changer de mode d'affichage, actionnez et maintenez appuyée la commande «-» tout en appuyant sur la commande «+», puis relâchez seulement la commande «-». L'affichage de température se fera maintenant en degrés Celsius (°C). Répétez la même procédure pour revenir à un affichage de température en degrés Fahrenheit (°F).



## Verrouillage des commandes :

Le panneau de commandes peut être verrouillé pour éviter des changements inopinés. Pour verrouiller les commandes, actionnez la commande de verrouillage (Lock) et maintenez-la appuyée jusqu'à ce que l'afficheur montre «Loc», puis immédiatement relâchez l'appui. L'icône de verrou va clignoter trois fois puis rester allumée. Quand le panneau de commandes est verrouillé seulement la commande de verrouillage (Lock), l'indicateur de statut de système OK et l'indicateur d'alerte restent activés. Pour déverrouiller le panneau de commandes, recommencez la même séquence jusqu'à ce que l'afficheur montre «nLc». Puis immédiatement relâchez l'appui.

### REMARQUE






Si le verrouillage des commandes est active (l'icône de verrouillage illuminée), il faut déverrouiller la commande avant qu'on puisse utiliser la touche pour restaurer une alerte.

Voir page 11 (Verrouillage des commandes) pour les instructions de déverrouillage de la commande.

# UTILISATION DE VOTRE COMMANDE ÉLECTRONIQUE

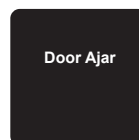
## Codes d'erreur des capteurs de température

Les capteurs de température sont surveillés en permanence. Une condition de coupure (OPEN) ou de court-circuit (SHORTED) générera un CODE D'ERREUR tel que ceux qui suivent :

Codes d'erreur des capteurs de température			
Capteur	Code affiché	Description de l'erreur	Action à prendre
Capteur de température du réfrigérateur		Panne de capteur de température dans le compartiment du réfrigérateur. Cela peut amener à des températures non souhaitées pour la conservation des vins et/ou à gâcher des denrées périssables.	Demandez une intervention de service pour remplacer ce capteur de température. Enlevez tous les articles périssables du compartiment pour empêcher de gâter.
Capteur de température du congélateur		Panne de capteur de température dans le compartiment du congélateur. Cela peut amener à des températures non souhaitées pour la conservation des vins et/ou à gâcher des denrées périssables.	Demandez une intervention de service pour remplacer ce capteur de température. Enlevez tous les articles périssables du compartiment pour empêcher de gâter.
Capteur du dégivrage		Panne du capteur de température de dégivrage. Cela cause un dégivrage incorrect de l'appareil et peut créer une forte accumulation de givre. Il peut s'ensuivre un dégât des eaux au niveau de l'appareil et du plancher alentour.	Débranchez immédiatement le cordon d'alimentation et demandez une intervention de service pour remplacer ce capteur de dégivrage.

### Alertes :

La commande va vous alerter en cas de conditions pouvant nuire à la performance de l'appareil.



- **Porte entrouverte** - Si la porte reste ouverte ou incorrectement fermée, pendant plus de 5 minutes, l'indicateur de statut de système OK va s'éteindre, l'indicateur de porte entrouverte (Door Ajar) va clignoter et une tonalité va retentir toutes les 60 secondes. De plus, un indicateur de restauration d'alerte (ALARM RESET) va être affiché sous la commande M/A (On/Off).

## REMARQUE



L'alarme sonore peut être désactivé, pour chaque événement, en appuyant sur la commande de verrouillage (Lock).

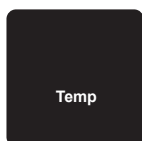
Cette alerte peut être supprimée en fermant la porte, ou en appuyant brièvement sur la commande M/A (par exemple quand vous êtes en train de nettoyer le compartiment de conservation). Mais l'alerte va se réactiver après 5 minutes si la condition anormale persiste.



## UTILISATION DE VOTRE COMMANDE ÉLECTRONIQUE



- **Panne de secteur** - Si l'alimentation du cellier est interrompue l'indicateur de statut de système OK va s'éteindre, et l'indicateur de panne secteur (Power Failure) va clignoter. De plus un indicateur de restauration d'alerte (ALARM RESET) va être affiché sous la commande M/A (On/Off). Il n'y aura pas de signalisation sonore. La condition d'alerte peut être supprimée momentanément en appuyant sur la commande M/A (On/Off). Si cette alerte se produit, il est recommandé que vous contrôliez la situation de toutes les denrées périssables, même si l'appareil fonctionne de nouveau normalement et que la température soit revenue au niveau de la consigne, car des cessations d'alimentations prolongées peuvent amener des écarts excessifs de température interne pouvant affecter des denrées périssables.



- **Alerte de température** - Si la température du compartiment de conservation dévie excessivement du point de consigne pour une période de temps prolongée, l'indicateur (Temp) clignotera et un signal sonore retentira toutes les 60 secondes. De plus, un indicateur (ALARM RESET) sera affiché sous la commande M/A (On/Off).

### REMARQUE

Après une condition d'alerte de température trop haute, vérifiez toutes les denrées périssables pour assurer qu'elles sont sûres pour la consommation.

### REMARQUE

L'alerte de température peut survenir s'il y a une utilisation intensive, ou si des produits chauds sont chargés dans le compartiment de conservation. Si l'alerte de température continue à se produire, votre appareil peut exiger le service.

### REMARQUE



L'alarme sonore peut être désactivé, pour chaque événement, en appuyant sur la commande de verrouillage (Lock).

La condition d'alerte peut être supprimée momentanément en appuyant sur la commande M/A (On/Off). Si cette alerte se produit, il est recommandé que vous contrôliez la situation de toutes les denrées périssables, même si l'appareil fonctionne de nouveau normalement et que la température soit revenue au niveau de la consigne, car des cessations d'alimentations prolongées peuvent amener des écarts excessifs de température interne pouvant affecter des denrées périssables.

### REMARQUE

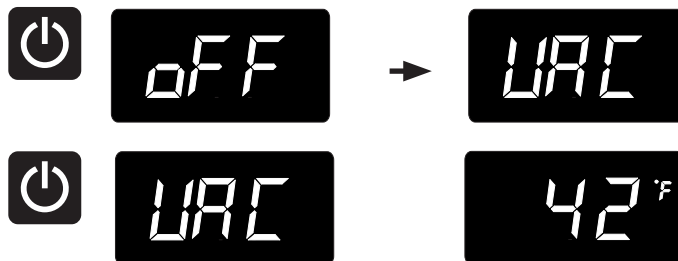
Door Ajar  
Temp

Des alertes multiples sont possibles, par exemple la porte restée entrouverte longtemps peut entraîner une alerte de température, dans ce cas les deux indicateurs «Door Ajar» et «Temp» seront activés en même temps.

### Mode de vacances :

Ce mode de fonctionnement peut être utilisé pour économiser de l'énergie durant les périodes où elle est la plus coûteuse, ou si vous n'utilisez pas votre appareil pendant une période prolongée, en désactivant ses éclairages, tonalités d'alerte, et sonorités d'actionnement des commandes. Ce mode vacances peut aussi servir comme mode pour la période de Shabbat, avec les désactivations prescrites dans la période de semaine pour la communauté juive. Dans ce mode de Shabbat, vous pouvez ouvrir et refermer la porte n'importe quand pour accéder au contenu, sans avoir à directement allumer ou éteindre d'éclairage, et sans activation d'affichages numériques, d'électrovannes, de ventilateurs, de vannes, de compresseur, d'icônes, tonalités ou alertes.

Quand ce mode est activé, l'afficheur, les indicateurs visuels et sonores d'alerte, les tonalités à l'actionnement de commandes, l'éclairage intérieur et toutes les options sont désactivés. Toutes les commandes de fonctions sont inopérantes sauf la commande M/A (On/off) qui est nécessaire pour la sortie de ce mode vacances. Les températures du compartiment de conservation sont surveillées et gérées selon les réglages avant d'entrer en mode vacances.



Pour entrer dans le mode vacances (avec le commande réveillée), actionnez et maintenez appuyée la commande M/A (On/Off) jusqu'à ce que l'afficheur passe de «OFF» à «VAC». L'afficheur va faire clignoter «VAC» trois fois pour accuser réception de votre demande, puis montrer «VAC» en fixe jusqu'à la sortie de ce mode vacances. Une coupure d'alimentation ne vous fait pas sortir du mode vacances, le changement de mode ne peut se faire que manuellement. Pour sortir du mode vacances et revenir en fonctionnement normal, actionnez et maintenez appuyée la commande M/A (On/Off) jusqu'à ce que l'afficheur montre la température.

# INSTALLATION DE PANNEAU DE REVÊTEMENT DE PORTE

Si vous avez acheté un modèle à panneau de revêtement, votre cellier est équipé de charnières articulées pour permettre des installations complètement encastrées. Des épaisseurs de panneau de 5/8 po (15 mm) et 3/4 po (18 mm) sont acceptées.

## ATTENTION

Il est important d'utiliser la grille fournie par l'usine avec le produit pour assurer qu'un flux d'air approprié sera maintenu au travers du condenseur. L'utilisation d'une grille personnalisée n'est pas recommandée et annulerait la garantie.

## AVERTISSEMENT

Les modèles pour panneau de revêtement sont conçus pour une utilisation avec des **installations encastrées uniquement**. Leur utilisation en installations autonomes peut causer des blessures.

### Étape 1 : Dépose de la porte

Avec un tournevis à pointe Phillips, ôtez la vis et le collier en «P» du bas de porte près de la charnière (Voyez la Figure 13b).

Débranchez le faisceau des fils de porte en appuyant et en maintenant sur le loquet de blocage qui est dessus et en sortant le faisceau (Voyez la Figure 14).

Ouvrez la porte et desserrez les vis maintenant les charnières sur l'armoire (2 à la charnière du haut, 2 à la charnière du bas). N'enlevez pas ces vis, il faut juste les desserrer suffisamment pour que les charnières puissent être sorties en glissant hors des vis en penchant la porte sur le côté.

## AVERTISSEMENT

Les pentures articulées peuvent comporter plusieurs points de pinçage. Pliez (fermez) soigneusement les pentures dès que la porte soit enlevée de l'armoire.

Avec un assistant, et en faisant attention de ne pas rayer l'armoire ou la porte, glissez la porte sur le côté d'environ un demi-pouce (12,7 mm) et sortez les charnières et la porte du cellier.

## AVERTISSEMENT

Utilisez une extrême prudence avec les charnières articulées. La charnière se referme toute seule et il existe de nombreux points de pinçage avant l'installation encastrée. **N'enlevez pas la cornière en «Z» du haut de l'armoire.**

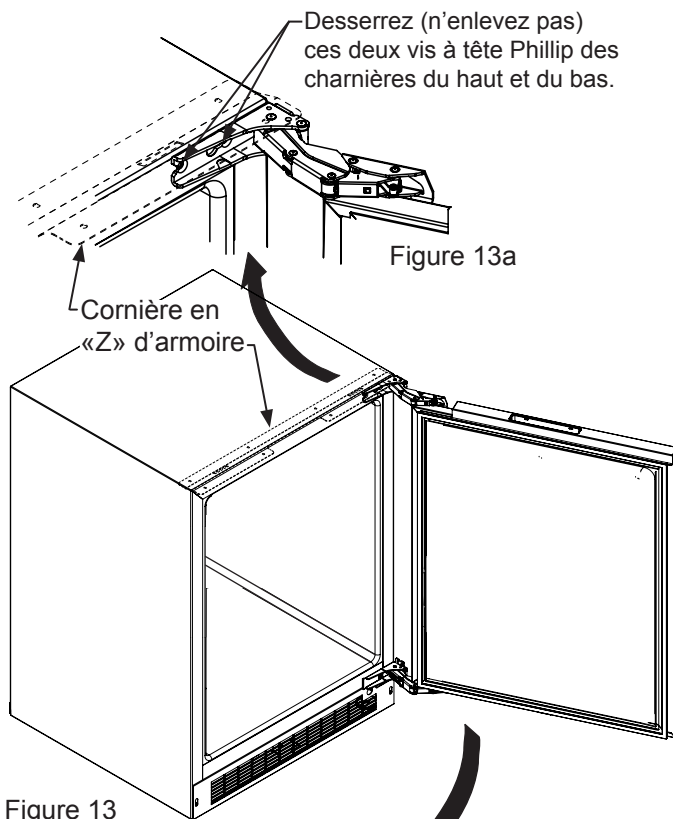
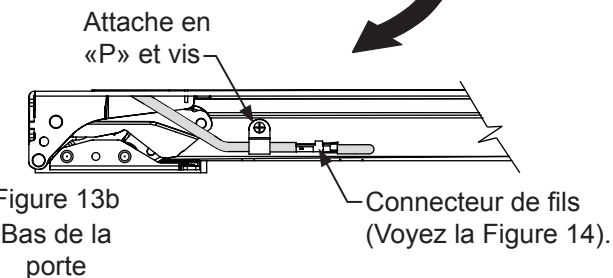
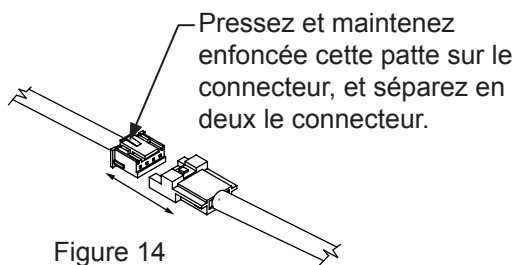


Figure 13



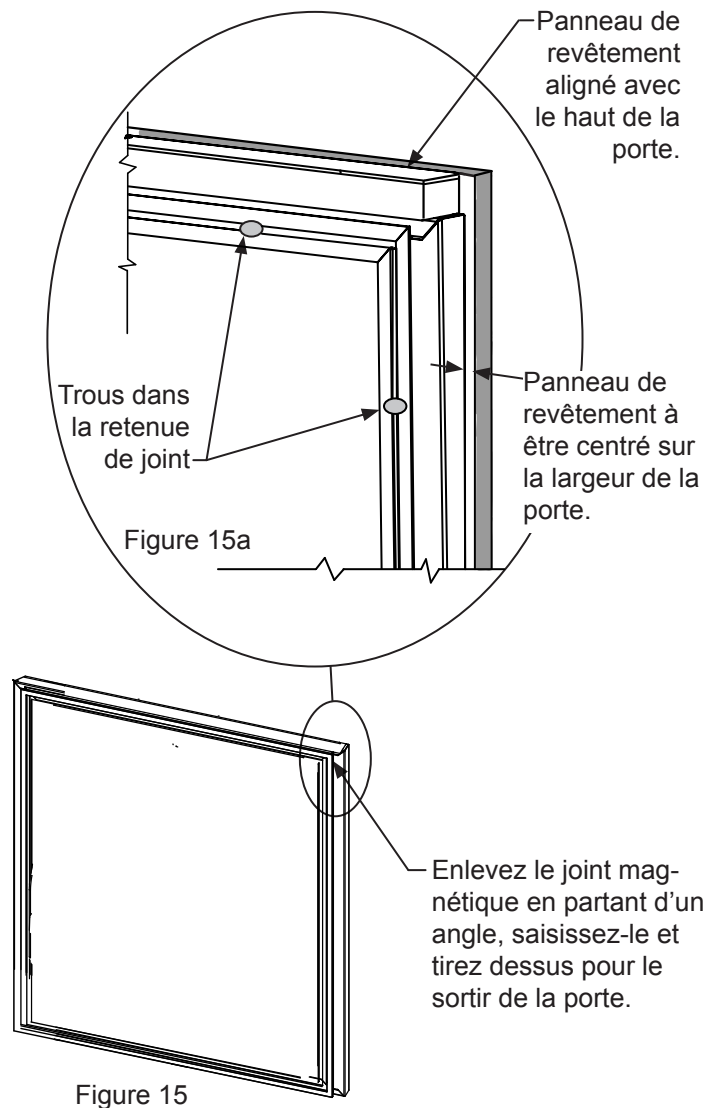
# INSTALLATION DE PANNEAU DE REVÊTEMENT DE PORTE



## Étape 2 : Dépose du joint de porte

Avec la porte reposant sur une surface plane, et en partant d'un des ses angles, ôtez le joint de porte magnétique de la face intérieure de la porte (Voyez la Figure 15). Mettez de côté ce joint sur une surface plane.

Il y a 10 trous dans les extrusions de retenue de joint (3 de chaque côté et 2 en haut et en bas) qui sont utilisés pour fixer le panneau dur l'avant de la porte. Les vis sont fournies dans le sachet de la documentation, avec le verrou de porte fourni pour certains modèles. Les vis sont fournies dans la pochette de littérature.



**ATTENTION**

Le poids du revêtement de porte ne doit pas dépasser 15 lb (6,8 kg) .

## Étape 3 : Coupez et percez le panneau de revêtement

Selon votre modèle, coupez le panneau de revêtement de porte aux dimensions montrées aux Figures 16 à 19.

# INSTALLATION DE PANNEAU DE REVÊTEMENT DE PORTE

**ATTENTION**

Le poids du revêtement de porte ne doit pas dépasser 15 lb (6,8 kg).

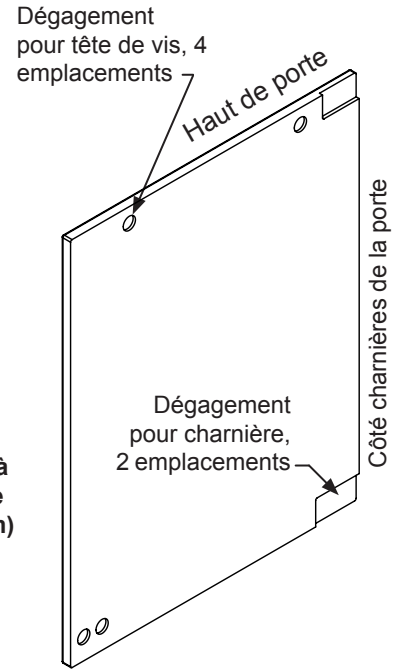
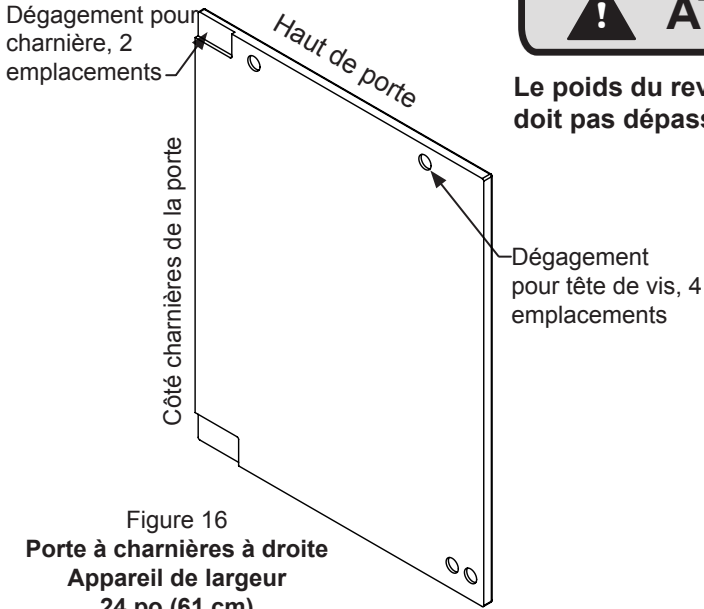


Figure 18  
Porte à charnières à gauche  
Appareil de largeur 24 po (61 cm)

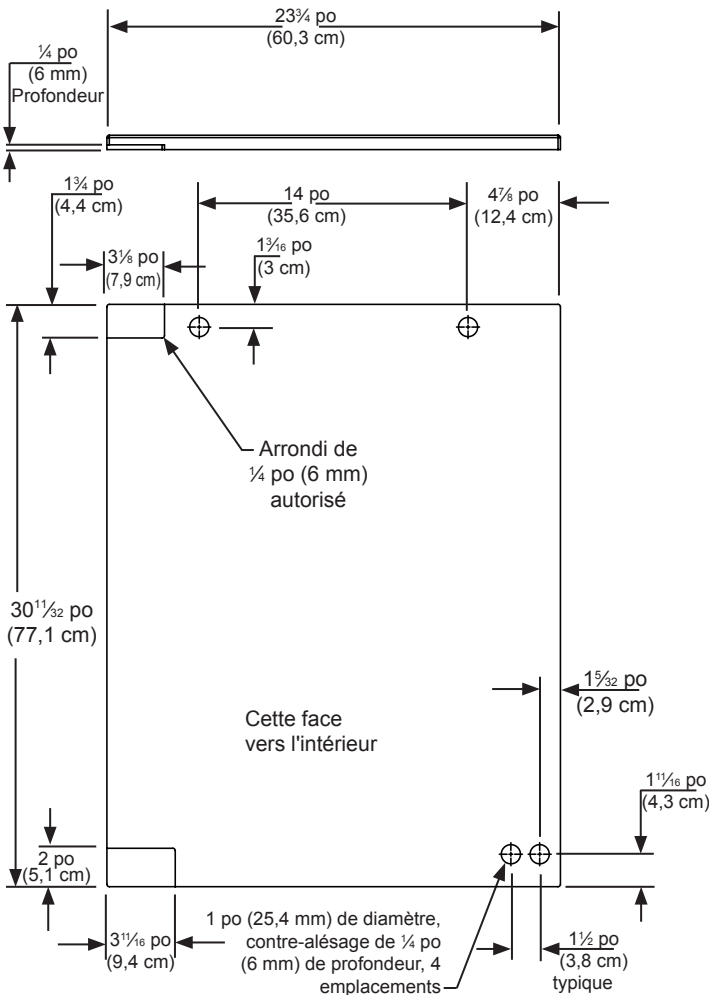


Figure 17  
Porte à charnières à droite  
Appareil de largeur 24 po (61 cm)

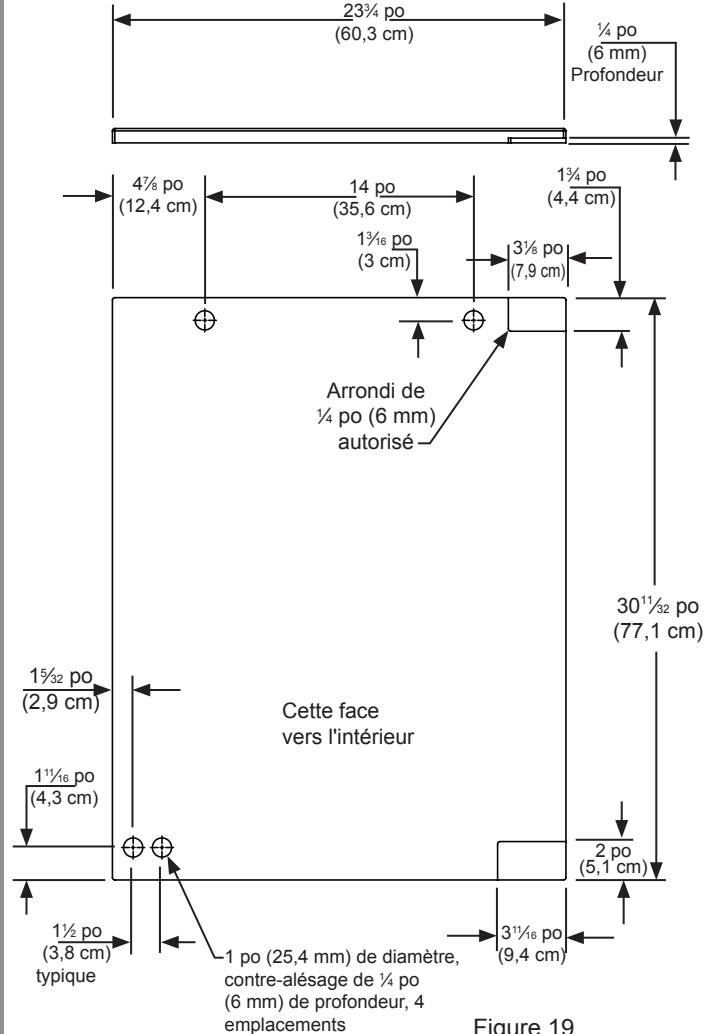


Figure 19  
Porte à charnières à gauche  
Appareil de largeur 24 po (61 cm)

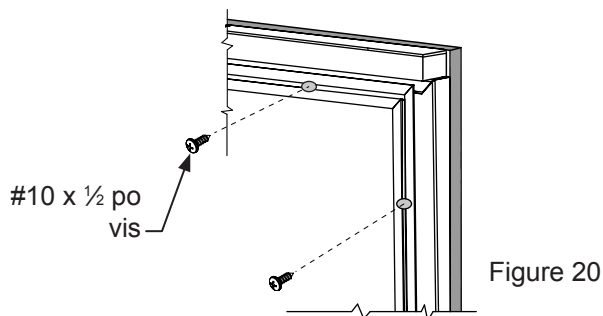
# INSTALLATION DE PANNEAU DE REVÊTEMENT DE PORTE

Type de matériau	Vis à bois #10
Bois dur	Avant trou Ø 1/8 po (2 mm)
Bois tendre	Avant trou Ø 7/64 po (0,8 mm)

Tableau B

## Étape 4 : Assemblez le panneau sur la porte

La méthode préférée pour fixer le panneau sur la porte est de le tenir dessus par serre-joints pour éviter tout déplacement durant le perçage d'avant-trous. Utilisez des serre-joints à barre ou en «C» avec des tampons sur les surfaces à serrer pour ne pas marquer le panneau de revêtement ou la porte. Le panneau de revêtement personnalisé doit arriver au même niveau que le haut de la porte, et le long de la largeur centrée de la porte (Voyez la Figure 15a). Percez des trous au travers de l'extrusion du joint en utilisant les 10 trous existants comme des avant-trous. Prenez une taille de foret selon la recommandation du Tableau B, en veillant à ne pas traverser la face avant au perçage en n'allant pas à profond. Si le panneau de revêtement est plus mince que 5/8 po (16 mm), il vous faudra vous procurer des vis plus courtes. Fixez le panneau sur la porte avec les 10 vis fournies dans le sachet de documentation (Voyez la Figure 20). Enlevez les serre-joints et remettez en place le joint dans les canaux de son extrusion sur la porte. Il faut appliquer une certaine force pour bien insérer le joint dans ces canaux. Assurez-vous que les angles du joint sont bien en place.

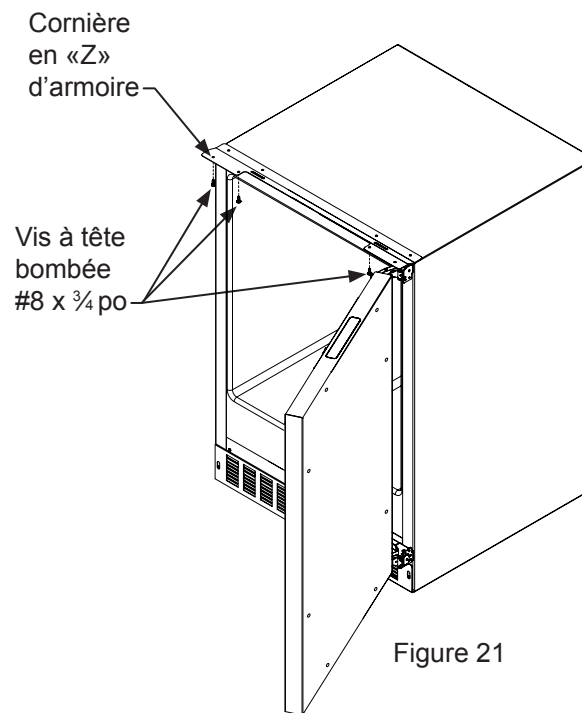


## Étape 5 : Installez la porte

Ouvrez soigneusement les charnières du haut et du bas sur la porte en vous méfiant des nombreux points de pinçage. Placez les charnières par-dessus les 4 vis dans l'armoire, 2 en haut et 2 en bas, et glissez la porte en position. Serrez ces 4 vis de charnières avec un tournevis à pointe Phillips (Voyez les Figures 13 et 13a). Placez le faisceau de fils depuis la grille et montez-le en bas de la porte avec la vis et le collier en «P» qui avait été enlevé à l'étape 1 (Voyez la Figure 13b). Reconnectez le faisceau de fils (Voyez la Figure 14).

## Étape 6 : Fixez l'armoire

Utilisez des vis #8 x 3/4 po du sachet de documentation pour fixer la surface du haut sur l'armoire au travers des trous dans la cornière en «Z» de l'armoire de cellier.



## CONFIGURATIONS DE ÉTAGÈRES

### Réfrigérateur / Congélateur de 24" (61 cm) de large, voir la Figure 22 :

#### Réfrigérateur :

- (2) Étagère en verre de demi-largeur en porte-à-faux réglable, voir la Figure 25
- (1) Étagère en verre de largeur complète en position fixe
- (1) Bac à légumes transparent sur glissières

#### Congélateur :

- (1) Étagère métallique en position fixe, voir la Figure 27

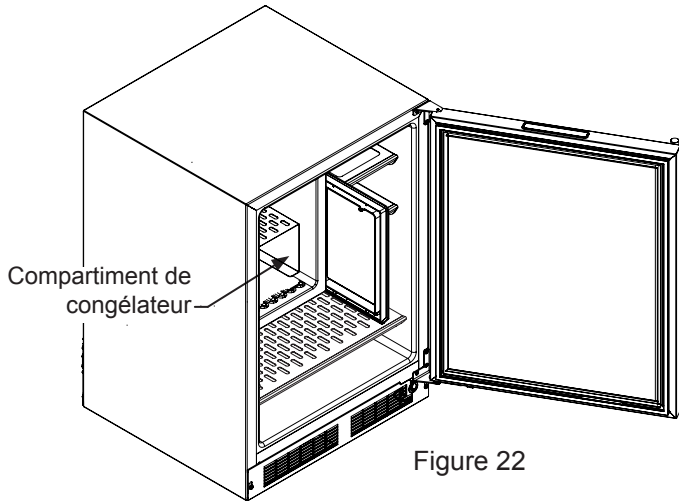


Figure 22

### Réfrigérateur / Congélateur de 24" (61 cm) de large, voir la Figure 24 :

#### Réfrigérateur :

- (2) Étagère en verre de demi-largeur en porte-à-faux réglable, voir la Figure 25
- (1) Étagère sur glissières, voir la Figure 28.

#### Congélateur :

- (1) Étagère métallique en position fixe, voir la Figure 27

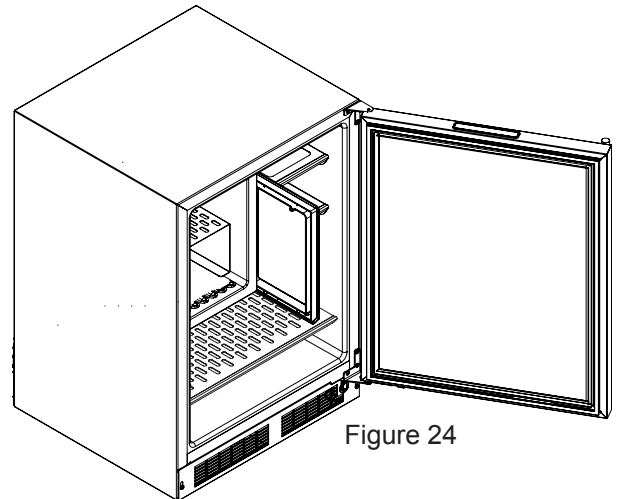


Figure 24

### Réfrigérateur / Machine à glaçons de 24" (61 cm) de large, voir la Figure 23 :

#### Réfrigérateur :

- (2) Étagère en verre de demi-largeur en porte-à-faux réglable
- (1) Étagère en verre de largeur complète en position fixe
- (1) Bac à légumes transparent sur glissières

#### Machine à glaçons :

- (1) Machine à glaçons avec son bac à glaçons, voir la Figure 26

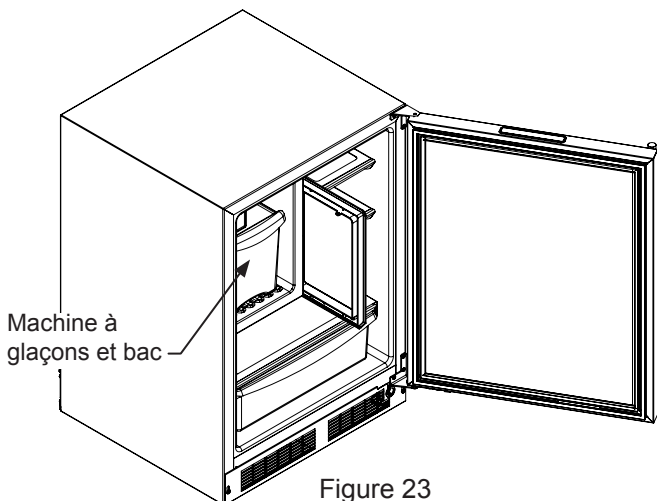


Figure 23

Figure 25  
Étagère, encadrement et verre

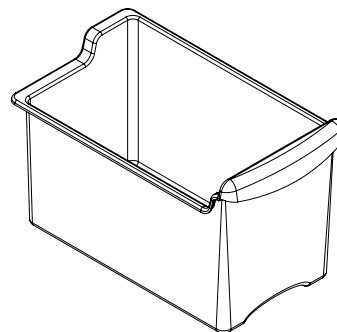
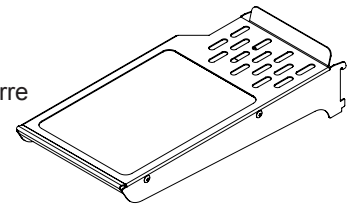
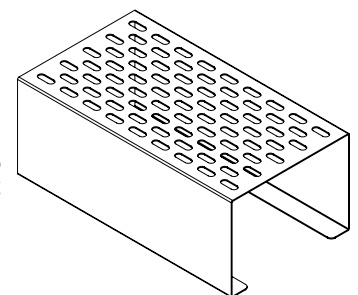


Figure 26  
Bac à glace de modèle RI uniquement

Figure 27  
Étagère de congélation, modèle RF uniquement





# ENLÈVEMENT DES ÉTAGÈRES, CONSEILS POUR L'ÉCONOMIE D'ÉNERGIE

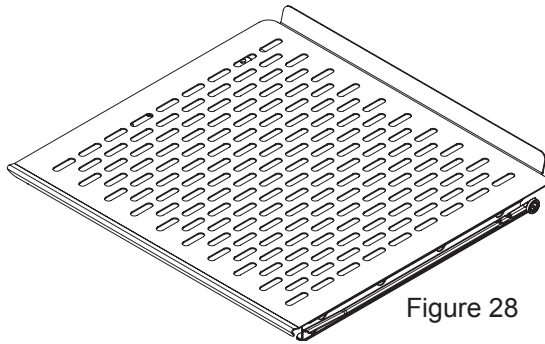


Figure 28



## ATTENTION

Assurez-vous que votre étagère en porte-à-faux est bien en place sur les supports en appuyant dessus avant de la charger.



## ATTENTION

N'essayez jamais de bouger une étagère chargée, évacuez tout ce qu'elle porte avant de la déplacer. Utilisez vos deux mains pour déplacer une étagère.

### Pour ajouter ou enlever une étagère

Enlevez les produits qui étaient entreposés sur la étagère.

N'essayez pas d'enlever du réfrigérateur/congélateur une étagère restée chargée. Prenez le devant de la étagère des deux mains, faites pivoter son avant vers le haut et enlevez-la (Voyez la Figure 29). Pour installer une étagère, insérez-la dans le réfrigérateur/congélateur et mettez ses crochets dans les fentes des supports de étagère, puis laissez retomber la étagère de façon à ce que ses crochets chutent sur le bas des supports.

Prenez la étagère des deux mains par l'avant et faites-la pivoter vers le haut, puis soulevez-la et sortez-la de ses accrochages.

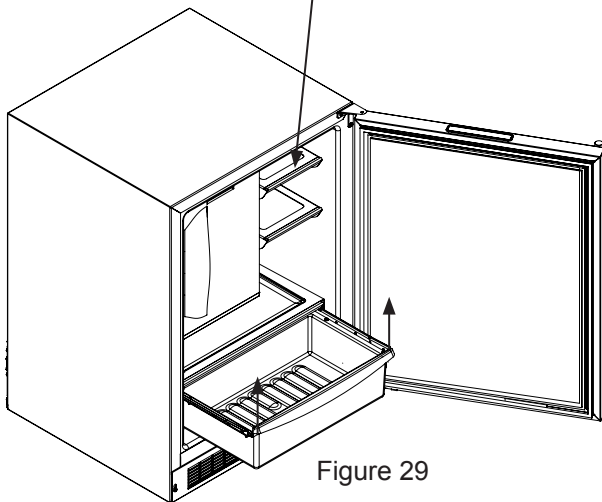


Figure 29

### Pour ôter le bac à légumes :

Tirez-le jusqu'à ce qu'il s'arrête. Levez l'avant du bac, et dégagé-le du logement.

### Les suggestions suivantes vont minimiser le coût de fonctionnement de votre appareil de refroidissement.

1. N'installez pas votre appareil près d'un autre appareil chaud (cuisinière, lave-vaisselle, etc.), d'une conduite d'air chaud, ou d'autres sources de chaleur.
2. Placez l'appareil à l'abri du rayonnement solaire direct.
3. Assurez-vous que les événements de la grille devant l'unité au-dessus de la porte ne sont pas obstrués et maintenus propres de façon à permettre une ventilation du système de refroidissement et chasser la chaleur.
4. Branchez votre appareil sur un circuit d'alimentation secteur dédié (Sans partage avec d'autres appareils).
5. Quand vous chargez initialement votre produit neuf, ou au cas où de grosses quantités de contenu tiède sont placées dans le compartiment de conservation au froid, minimisez les ouvertures de porte pendant les 12 heures qui suivent pour permettre au contenu de tomber à la température de consigne du compartiment.
6. En maintenant un compartiment d'entreposage relativement plein, il faut moins de périodes de fonctionnement en refroidissement de l'appareil qu'avec un compartiment vide.
7. Assurez-vous que la fermeture de porte n'est pas obstruée par des denrées entreposées dans votre appareil.
8. Permettez aux denrées chaudes de revenir à la température ambiante avant de les placer dans l'appareil.
9. Minimisez la fréquence et la durée des ouvertures de porte.
10. Utilisez le point de consigne de température le plus haut qui respecte votre préférence personnelle, et fournissez l'entreposage qui convient pour vos denrées conservées.
11. Quand vous êtes en vacances ou absent pendant de longues périodes, réglez l'appareil à la température la plus élevée acceptable pour son contenu conservé.
12. Réglez le contrôle en position d'arrêt (off) si le nettoyage de l'appareil nécessite que sa porte reste ouverte pour une période longue.



# L'ENTRETIEN ET LE NETTOYAGE, OBTENTION DE SERVICE

## Grille frontale

Assurez-vous que rien n'obstrue les ouvertures pour flux d'air requises à l'avant de l'armoire. Au moins une à deux fois par an, chassez par brossage ou par aspiration les peluches et les saletés dans la zone de la grille avant (Voyez en page 4).



## ATTENTION

**RISQUE DE COMMOTION ÉLECTRIQUE :** Débranchez l'alimentation secteur de l'appareil avant de le nettoyer à l'eau savonneuse.

## Armoire

L'armoire peinte peut se laver avec une solution savonneuse douce, puis soigneusement se rincer à l'eau potable. N'utilisez JAMAIS de produits nettoyants abrasifs.

## Intérieur

Lavez le compartiment intérieur avec une solution savonneuse douce. N'utilisez pas de nettoyant abrasif, de solvant, de produit nettoyant/polissant ou de détergent non-dilué.

## Soins pour l'appareil

1. Évitez de vous appuyer sur la porte, vous pourriez déformer ses charnières ou faire basculer l'appareil.
2. Faites attention quand vous balayez, aspirez ou passez la vadrouille près de l'avant de l'appareil. Vous pourriez endommager sa grille.
3. Nettoyez périodiquement l'intérieur de l'appareil selon le besoin.
4. Vérifiez périodiquement la grille frontale et les serpentins de condenseur, et nettoyez-les si nécessaire.

## En cas de coupure du secteur

Si une panne d'alimentation arrivait, essayez de la corriger le plus tôt possible. Minimisez le nombre d'ouvertures de porte pendant la coupure du secteur afin de ne pas affecter la température dans l'appareil.

## Remplacement de l'ensemble d'éclairage

Tous les modèles utilisent de lampes à diodes électroluminescentes (DEL) pour éclairer l'intérieur de l'appareil. Ce type de composant est très fiable, mais en cas de panne contactez un technicien de service qualifié pour le remplacement de l'éclairage à DEL.

## Si du service est nécessaire :

- Si le produit est encore dans sa première année de garantie, veuillez appeler le service à la clientèle d'AGA MARVEL au 800.223.3900 pour avoir des instructions sur la façon d'obtenir une couverture sous garantie dans votre secteur.
- Si le produit est sorti de sa première année de garantie, le service à la clientèle d'AGA MARVEL peut vous fournir des recommandations sur les centres de service de votre secteur. Une liste des centres de service agréés est également disponible sur le site [www.agamarvel.com](http://www.agamarvel.com) sous la section de service et d'assistance.
- Dans toute correspondance relative au service, assurez-vous de bien fournir la référence de modèle, le numéro de série et le la facture d'achat.
- Essayez de donner des informations ou une description de la nature du problème, sur la durée pendant laquelle l'appareil a fonctionné, sur les températures de la pièce et de l'eau, et toutes les informations qui peuvent être utiles pour une résolution rapide du problème.
- Le Tableau «C» est fourni pour enregistrer les informations pertinentes sur votre produit, comme référence ultérieure.

Pour vos archives	
Date d'achat	
Nom du revendeur	
Adresse du revendeur	
Ville du revendeur	
État/province du revendeur	
Code Zip/postal du revendeur	
N° de série de l'appareil	
N° de série de l'appareil	
Date d'envoi de la carte de garantie (à faire dans les 10 jours après l'achat)	

Tableau C

# DÉPANNAGE

## Avant d'appeler pour du service

Si l'appareil semble présenter un dysfonctionnement, commencez par bien relire son manuel. Si le problème persiste, consultez le guide de dépannage qui suit. Identifiez le problème dans ce guide et consultez les colonnes de causes et de remèdes avant d'appeler pour du service. Le problème peut être quelque chose de très simple qui peut se résoudre sans demander une intervention de service. Cependant, il peut être nécessaire de contacter votre revendeur ou un technicien de service qualifié.

## REMARQUE

Votre produit comporte d'une fonction de dégivrage automatique qui utilise un élément de chauffage électrique. Périodiquement pendant le dégivrage vous pouvez observer la suivant :

- Des sons de l'eau gouttant et coulant causés par le fondant du givre.
- Les grésillements et les craquements des gouttes d'eau tombant sur l'élément chauffant.
- Une faible lumière rougeâtre dans le compartiment congélateur venant de l'élément de chauffage électrique.

Ceux sont toutes des caractéristiques "normales" de fonctionnement liés aux produits de réfrigération incorporant dégivrage automatique. Ils ne représentent pas un défaut du produit ni une question de sécurité.



## ATTENTION

Dans le cas improbable où vous perdriez de la capacité de refroidissement sur votre appareil, **ne le débranchez pas de son alimentation électrique**, mais appelez immédiatement un agent de dépannage qualifié. Il est possible que la perte de capacité de refroidissement résulte d'une accumulation excessive de givre sur le serpentin de refroidissement d'évaporateur. Dans ce cas, le débranchement électrique de l'appareil entraînera la fusion d'une quantité excessive de glace, qui pourra générer de l'eau de fusion qui dépassera la capacité du système de drainage du dégivrage, et risque de provoquer un dégât des eaux à votre domicile. C'est l'utilisateur final qui sera le responsable final de tout dégât des eaux causé par une coupure prématurée de l'appareil, sans avoir géré correctement l'excédent d'écoulement d'eau.



## AVERTISSEMENT

### Risque d'électrocution

- Ne tentez jamais de réparer ou d'exécuter de la maintenance sur l'appareil avant que son alimentation électrique n'ait été débranchée en amont. Passer l'appareil sur arrêt (OFF) n'enlève pas la présence de tension secteur sur les fils de câblage.
- Remettez en place l'ensemble des pièces et panneaux avant de redémarrer.

Problème	Cause possible	Remède
L'appareil ne produit pas assez de froid (Voyez «Réglage de la température» en page 11)	<ul style="list-style-type: none"> <li>• Le contrôle a une consigne trop chaude</li> <li>• La température du contenu n'est pas encore stabilisée.</li> <li>• Utilisation excessive ou ouvertures prolongées de la porte.</li> <li>• Blocage du flux d'air de la grille frontale.</li> <li>• Défaut d'étanchéité du joint de porte.</li> </ul>	<ul style="list-style-type: none"> <li>• Ajustez plus bas la consigne de température. Laissez stabiliser la température 24 heures.</li> <li>• Laissez la température se stabiliser pendant au moins 24 heures.</li> <li>• Le flux d'air ne doit pas être obstrué à la grille frontale. Consultez les valeurs de dégagements en page 4.</li> <li>• Changez le joint de porte.</li> </ul>
L'appareil fait trop de froid (Voyez «Réglage de la température» en page 11)	<ul style="list-style-type: none"> <li>• Le contrôle a une consigne trop froide</li> <li>• Défaut d'étanchéité du joint de porte.</li> </ul>	<ul style="list-style-type: none"> <li>• Ajustez plus haut la consigne de température Laissez stabiliser la température 24 heures.</li> <li>• Changez le joint de porte.</li> </ul>
Pas d'éclairage à l'intérieur	<ul style="list-style-type: none"> <li>• Défaut de l'ensemble d'éclairage à DEL ou du commutateur d'éclairage.</li> </ul>	<ul style="list-style-type: none"> <li>• Contactez un technicien de service qualifié.</li> </ul>
L'éclairage ne s'éteint pas quand la porte est fermée	<ul style="list-style-type: none"> <li>• La porte n'active pas l'interrupteur d'éclairage.</li> <li>• Commutateur d'éclairage défectueux</li> </ul>	<ul style="list-style-type: none"> <li>• L'appareil n'est pas d'aplomb, mettez-le de niveau (Voir en page 4, la section sur les pieds réglables).</li> <li>• Contactez un technicien de service qualifié.</li> </ul>
Bruit ou vibration	<ul style="list-style-type: none"> <li>• L'appareil n'est pas d'aplomb.</li> <li>• Obstruction de tube affectant le ventilateur.</li> </ul>	<ul style="list-style-type: none"> <li>• Mettez l'armoire d'aplomb, voyez en page 4 le réglage des pieds de mise à niveau.</li> <li>• Contactez un technicien de service qualifié.</li> </ul>
L'appareil ne fonctionne pas.	<ul style="list-style-type: none"> <li>• L'appareil est à l'arrêt.</li> <li>• Le cordon secteur n'est pas branché.</li> <li>• La prise secteur n'est pas alimentée.</li> </ul>	<ul style="list-style-type: none"> <li>• Mettez l'appareil en marche. Voyez pour le démarrage de votre appareil en page 10.</li> <li>• Branchez la fiche du cordon.</li> <li>• Vérifiez l'alimentation électrique de votre maison.</li> </ul>

## DÉPANNAGE DE LA MACHINE À GLAÇONS

Problème	Cause possible	Remède
L'appareil fonctionne mais ne produit que peu ou pas de glaçons.	<ul style="list-style-type: none"> <li>L'appareil vient d'être démarré depuis moins de 24 heures.</li> </ul>	<ul style="list-style-type: none"> <li>La production type de glaçons est de 6 à 7 livres (2,7 à 3 kg) par jour. Laissez la section de congélation descendre à sa température, et la machine à glaçons fonctionner cycliquement et accumuler des glaçons.</li> </ul>
	<ul style="list-style-type: none"> <li>L'arrivée d'eau n'est pas ouverte.</li> </ul>	<ul style="list-style-type: none"> <li>Ouvrez l'arrivée d'eau vers l'appareil.</li> </ul>
	<ul style="list-style-type: none"> <li>La pression d'eau arrivant à l'appareil est incorrecte.</li> </ul>	<ul style="list-style-type: none"> <li>La pression d'eau à l'appareil doit faire au moins 20 psi.</li> </ul>
	<ul style="list-style-type: none"> <li>Le bras de coupure de la machine à glaçons est resté en position d'arrêt la plus en haut.</li> </ul>	<ul style="list-style-type: none"> <li>Quand le bras de coupure de la machine reste en position la plus haute, la machine est à l'arrêt. Abaissez ce bras pour démarrer la machine à glaçons.</li> </ul>
	<ul style="list-style-type: none"> <li>La section de congélation n'a pas atteint sa température.</li> </ul>	<ul style="list-style-type: none"> <li>Laissez la section de congélation atteindre sa bonne température.</li> </ul>
	<ul style="list-style-type: none"> <li>Le thermostat de contrôle a une consigne trop chaude</li> </ul>	<ul style="list-style-type: none"> <li>Passez la commande de consigne de température sur un chiffre plus élevé pour que l'unité devienne plus froide. Laissez 24 heures avant d'ajuster à nouveau la consigne de température.</li> </ul>
	<ul style="list-style-type: none"> <li>Le flux d'air de ventilation du condenseur est réduit.</li> </ul>	<ul style="list-style-type: none"> <li>Assurez-vous que la grille sur l'avant de l'unité est dégagée et ouverte pour que l'air circule bien. Nettoyez cette grille si besoin est.</li> </ul>
	<ul style="list-style-type: none"> <li>La température de la pièce et/ou de l'arrivée d'eau est trop élevée.</li> </ul>	<ul style="list-style-type: none"> <li>Déplacez l'unité dans une zone où la température ambiante est inférieure à 90°F (32 °C). Il ne faut pas la placer près d'une source de chaleur telle qu'un four. Vérifiez que le raccordement est bien sur de l'eau froide.</li> </ul>
Les cubes de glace sont petits	<ul style="list-style-type: none"> <li>La pression d'eau froide est trop faible.</li> </ul>	<ul style="list-style-type: none"> <li>La conduite d'arrivée d'eau est pincée.</li> <li>Des sédiments se sont accumulés dans la conduite d'eau.</li> </ul>
	<ul style="list-style-type: none"> <li>L'arrivée d'eau peut nécessiter un réglage.</li> </ul>	<ul style="list-style-type: none"> <li>Du fait de pressions d'eau différentes, l'arrivée d'eau à la machine à glaçons peut nécessiter un ajustement. Contactez un technicien de service qualifié.</li> </ul>
Les glaçons se collent les uns aux autres.	<ul style="list-style-type: none"> <li>La consommation de glaçons est trop faible.</li> </ul>	<ul style="list-style-type: none"> <li>Les glaçons s'agglomèrent s'ils sont conservés pendant de trop grandes périodes.</li> </ul>
	<ul style="list-style-type: none"> <li>Les cubes de glaçons ne sont pas homogènes avec un centre encore liquide à leur distribution dans le bac.</li> </ul>	<ul style="list-style-type: none"> <li>Il y a un dysfonctionnement de la machine à glaçons, appelez pour une intervention de service.</li> </ul>

# GARANTIE DE PRODUIT À USAGE DOMESTIQUE

## Produit complet

### Garantie limitée d'un an sur pièces et main-d'œuvre

AGA MARVEL garantit qu'il fournira toutes les pièces et la main-d'œuvre nécessaires pour réparer ou remplacer, au domicile ou au bureau de l'utilisateur final, tout composant avéré défectueux du fait des matériaux ou de la main-d'œuvre, en tenant compte des conditions et exclusions décrites plus bas, pendant une période d'une année à compter de la date d'achat par l'utilisateur final.

### Garantie limitée supplémentaire sur les pièces uniquement de la deuxième à la cinquième année

Durant les quatre ans qui suivent l'expiration de la garantie limitée d'un an, AGA MARVEL va fournir des pièces de remplacement pour le système de refroidissement hermétiquement scellé (constitué de : compresseur, condenseur, déshydrateur, accumulateur, vanne de contournement, tube de raccordement et évaporateur), s'il s'avère défectueux du fait des matériaux ou de la main-d'œuvre, en tenant compte des conditions et exclusions qui suivent.

Les garanties précédentes ne couvrent pas :

- Les coûts d'expédition des pièces de remplacement ou des pièces défectueuses renvoyées.
- L'éducation du client ou des instructions sur la façon d'utiliser l'appareil
- Toute perte de contenu due à une panne de produit.
- Le déplacement ou l'installation du produit.

Les garanties qui précèdent ne couvrent pas non plus une panne de ce produit ou de ses composants due à :

- Transport ou dommages consécutifs au transport.
- Utilisation commerciale, ou autre qu'un usage domestique normal ou un usage dans un petit bureau.
- Une utilisation incorrecte, un mésusage, un abus, un accident ou une altération, un câblage de raccordement non conforme aux normes électriques, une tension secteur trop élevée ou trop faible, un défaut d'entretien notoire, ou toute autre utilisation non raisonnable.

## Pièces ou service

### Non fourni ou désigné par AGA MARVEL

Les garanties qui précèdent ne s'appliquent pas non plus si :

- L'acte de vente d'origine, la date de livraison, ou le numéro de série ne peuvent pas être vérifiés.
- Les pièces défectueuses ne sont pas renvoyées pour inspection si c'est demandé par AGA MARVEL.
- L'équipement de refroidissement n'est plus en la possession de l'acheteur utilisateur final d'origine.

Les garanties décrites ici sont les seules fournies par AGA MARVEL. Toutes les garanties implicites, y compris la garantie implicite de valeur marchande, sont limitées à la durée des garanties explicites. En aucun cas AGA MARVEL ne sera tenu pour responsable de tous dommages ou dépenses consécutifs ou annexes, résultant d'une inobservation de ces garanties ou d'autres garanties, qu'elles soient explicites ou implicites.

Certains États et certaines Provinces ne permettent pas l'exclusion ou la limitation des dommages consécutifs ou une limitation de la durée applicable des garanties implicites, dont la limitation ou exclusion qui précède ne peut pas être applicable à votre cas. Cette garantie vous donne des droits légaux spécifiques, et vous pouvez avoir d'autres droits qui peuvent varier d'un État à un autre.

Aucune personne, firme ou corporation, n'est autorisée à donner une garantie différente, ni à assumer une quelconque autre obligation pour AGA MARVEL. Ces garanties ne s'appliquent qu'à des produits utilisés dans un des cinquante des États-Unis d'Amérique et dans le District de Columbia.

Pour obtenir une action dans le cadre de cette garantie, signalez tous les défauts constatés à :

**AGA MARVEL**  
1260 E. VanDeinse St.  
Greenville MI 48838

Phone : 800.223.3900



[www.agamarvel.com](http://www.agamarvel.com)

**AGA MARVEL**

1260 E. VanDeinse St.  
Greenville MI 48838

800.223.3900

41014824-FR Rev B  
4/11/17

Toutes les spécifications et les conceptions des produits sont sujet à des changements sans préavis. De telles révisions ne donnent aucun droit pour l'acheteur de produits antérieurs à bénéficier de ces changements, améliorations, ajouts, remplacements, ni de recevoir une compensation.

- EN** Installation, Operation and Maintenance Instructions  
**FR** Instructions d'installation, d'utilisation et d'entretien  
**ES** Instrucciones de instalación, operación y mantenimiento

Refrigerator / Freezer  
Réfrigérateur / Congélateur  
Refrigerador / Congelador

**ML24RFP0\*\***

**ML24RFS0\*\***

**ML24RFP4\*\***

**ML24RFS3\*\***

**ML24RIP5\*\***

**ML24RIS4\*\***



# ÍNDICE

## Índice:

Información de seguridad .....	2
Desembalaje de su artefacto .....	3
Registro de garantía .....	3
Instalación de su artefacto .....	4
Espacios libres alrededor del gabinete .....	4
Nivelación del artefacto .....	4
Conexión eléctrica .....	5
Instalación del suministro de agua .....	6
Operación de la máquina de hielo .....	7
Dimensiones del producto .....	8
Puesta en funcionamiento de su artefacto .....	10
Uso de su control electrónico .....	10
Modo de espera .....	10
Encendido (ON) y apagado (OFF) de su artefacto .....	11
Ajuste de la temperatura .....	11
Modo de temperatura .....	11
Bloqueo del control .....	11
Códigos de error del sensor de temperatura .....	12
Alarmas .....	12
Puerta entreabierta .....	12
Corte de energía .....	13
Alarma de temperatura .....	13
Modo Vacaciones .....	13
Instalación del panel de puerta decorativo .....	14
Configuraciones de estantes .....	18
Extracción de estantes .....	19
Consejos para ahorrar energía .....	19
Cuidado y limpieza .....	20
Cómo obtener servicio .....	20
Localización de fallas .....	21
Garantía .....	23

## Instrucciones importantes de seguridad

Las advertencias e instrucciones de seguridad que aparecen en esta guía no se proponen tratar todas las condiciones y situaciones que pueden ocurrir. Deben aplicarse el sentido común, la precaución y el cuidado al instalar, mantener y operar este artefacto.

## Reconozca los símbolos, palabras y etiquetas de seguridad.



### ADVERTENCIA

**ADVERTENCIA** - Si no sigue las instrucciones, usted puede morir o sufrir una lesión grave.



### PRECAUCION

**PRECAUCIÓN**-Riesgos o procedimientos inseguros que podrían provocar lesiones personales o daños materiales o al producto.

### NOTA

**NOTA**-Información importante que ayuda a asegurar una instalación y operación libres de problemas.



### ADVERTENCIA

**Advertencias de la Proposición 65 del estado de California:** Este producto contiene una o más sustancias químicas identificadas por el estado de California como causantes de cáncer.



### ADVERTENCIA

**Advertencias de la Proposición 65 del estado de California:** Este producto contiene una o más sustancias químicas identificadas por el estado de California como causantes de defectos congénitos o algún otro tipo de daños en la función reproductora.



ISO 9001



ISO 14001



OHSAS 18001

**AGA MARVEL** se compromete a construir un producto de calidad en una forma compatible con el medio ambiente. Nuestros procesos se controlan de manera rigurosa y se monitorean cuidadosamente. Hemos logrado certificaciones en ISO 9001 para el aseguramiento de la calidad, ISO 14001 para la gestión ambiental y OHSAS 18001 para la seguridad y salud ocupacional de Lloyd's Register Quality Assurance.



# DESEMBALAJE DE SU ARTEFACTO



## ADVERTENCIA

### RIESGO DE PESO EXCESIVO

Se necesitan dos o más personas para mover el producto. Si no se procede así, pueden producirse lesiones personales.

### Retiro del embalaje interior

Su artefacto se ha embalado para el transporte con todas las piezas que pudieran dañarse por el movimiento sujetas firmemente. Retire los materiales de empaque internos y -si las hubiera- las cintas que sujetan los componentes. El manual del usuario se envía dentro del producto en una bolsa de plástico junto con la tarjeta de registro de garantía y otros accesorios.

### Importante

Conserve la caja y el material de embalaje hasta que su artefacto se haya inspeccionado bien a fondo y se haya comprobado que está en buenas condiciones. Si hubiera daños, se necesitará el material de embalaje como una prueba del daño en tránsito. Luego, elimine todos los elementos de manera responsable.



## ADVERTENCIA

**ADVERTENCIA** - Elimine las bolsas de plástico, ya que pueden presentar un riesgo de asfixia.

### Nota para el cliente

Esta mercancía se embolsó en forma cuidadosa y se inspeccionó bien a fondo antes de salir de nuestra planta. La responsabilidad por su entrega segura fue asumida por el comerciante minorista al aceptar el envío. Los reclamos por pérdida o daños sufridos en el tránsito deben presentarse al comerciante minorista.

## NOTA

NO REGRESE MERCANCÍA DAÑADA AL FABRICANTE; PRESENTE EL RECLAMO AL COMERCIANTE MINORISTA.



## PRECAUCION

Si el artefacto se transportó, manejó o almacenó en una posición diferente de la vertical durante cualquier intervalo de tiempo, deje que permanezca en posición vertical durante 24 horas como mínimo antes de enchufarlo.

Esto asegurará que el aceite regrese al compresor. Si se enchufa el artefacto de inmediato, pueden dañarse algunas piezas internas.

### Registro de garantía

Es importante que envíe su tarjeta de registro de la garantía inmediatamente después de haber recibido su artefacto; también puede registrarlo a través de Internet en la página [www.agamarvel.com](http://www.agamarvel.com).

Cuando registre su artefacto se le solicitará la información siguiente:

Número de servicio

Número de serie

Fecha de la compra

Nombre y dirección del

comerciante

El número de servicio y el número de

serie pueden encontrarse en la placa de identificación que está ubicada dentro del gabinete, en el lado izquierdo cerca de la parte superior (vea la Figura 1).

**Registro en línea  
disponible en  
[www.agamarvel.com](http://www.agamarvel.com)**

AGA MARVEL	
GREENVILLE, MI 48838	
MODEL NO.	<input type="text"/>
SERVICE NO.	<input type="text" value="XXXXXXXXXXXX"/>
SERIAL NO.	<input type="text" value="XXXXXXXXXXXX"/>
HZ <input type="text"/>	VOLTS <input type="text"/>
AMPS <input type="text"/>	R134A <input type="text"/>
oz	
TEST PRESSURE 140 PSI LOW SIDE 300 PSI HIGH SIDE	

Figura 1



## ADVERTENCIA

**ADVERTENCIA** - El atrapamiento y la asfixia de niños no son problemas del pasado. Los refrigeradores desguazados o abandonados siguen siendo peligrosos, aun cuando se los haya dejado 'sólo por unos pocos horas'.

Si va a deshacerse de su viejo refrigerador, observe las instrucciones que siguen a fin de ayudar a prevenir accidentes.

Antes de tirar su viejo refrigerador o congelador:

- Extraiga las puertas o retire los estantes.
- Deje los estantes en su lugar, de modo que los niños no puedan trepar fácilmente al interior.

# INSTALACIÓN DE SU ARTEFACTO

## Selección de la ubicación

La ubicación adecuada asegurará el desempeño óptimo de su artefacto. Recomendamos una ubicación en la que la unidad esté a cubierto de la luz solar directa y lejos de fuentes de calor. Para asegurar que su producto funcione de acuerdo con las especificaciones, el rango de temperaturas recomendado para la ubicación de instalación es de 55 a 100° F (de 13 a 38° C).

## Espacios libres alrededor del gabinete

Se necesita ventilación desde la parte delantera inferior del artefacto. Mantenga esta área abierta y libre de toda obstrucción. Pueden instalarse gabinetes adyacentes y una cubierta alrededor del artefacto, siempre que la rejilla frontal permanezca sin obstrucciones. Los modelos con puerta decorativa y bisagras articuladas están destinados únicamente a aplicaciones empotradas.

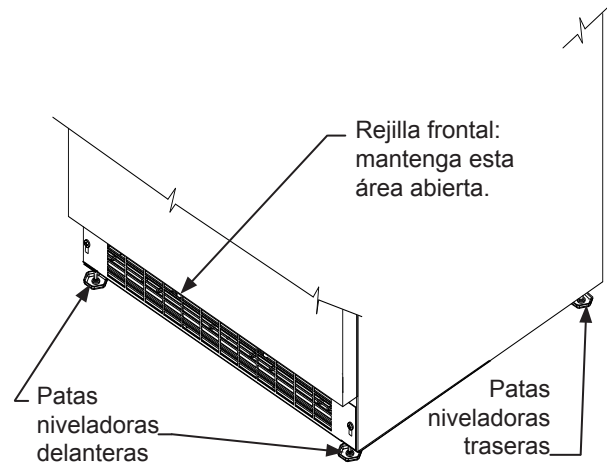


Figura 2



## ADVERTENCIA

Para el apilado de productos se necesita un kit de apilado. Si no se utiliza un kit de apilado, podrían producirse lesiones personales. Para solicitarlo, comuníquese con su proveedor o con el servicio al cliente de Aga Marvel llamando al 800-223-3900.

## Patas niveladoras traseras

Las patas ajustables que están en las esquinas delanteras y traseras del artefacto deben regularse de modo que la unidad quede posicionada firmemente sobre el piso, y nivelada de lado a lado y del frente al fondo. La altura total de su artefacto Marvel puede ajustarse entre la dimensión mínima (girando la pata niveladora hacia adentro CW ↻) y la máxima (girando la pata niveladora hacia afuera CCW ↻), como se muestra en la Tabla A.

Para ajustar las patas niveladoras, coloque el artefacto sobre una superficie sólida y proteja la zona del piso que está debajo de las patas, para evitar rayarlo. Con la ayuda de otra persona, incline el artefacto hacia atrás para tener acceso a las patas niveladoras. Haga girar las patas para subirlas o bajarlas hasta la dimensión requerida. Repita este proceso para la parte trasera inclinando con cuidado el artefacto hacia adelante. Verifique la nivelación del artefacto sobre una superficie nivelada, y ajuste según sea necesario.

Los tornillos de la rejilla frontal pueden aflojarse para ajustar la rejilla a la altura deseada. Cuando finalice el ajuste, apriete los dos tornillos de la rejilla frontal (vea la Figura 5).



## PRECAUCION

### Rejilla frontal

No obstruya la rejilla frontal. Las aberturas de la rejilla frontal permiten que el aire circule a través del intercambiador de calor del condensador. Las restricciones a esta circulación de aire darán como resultado mayor consumo de energía y pérdida de la capacidad de enfriamiento. Por esta razón es importante que esta área no esté obstruida y que las aberturas de la rejilla se mantengan limpias. AGA MARVEL no recomienda el uso de una rejilla de construcción especial, ya que la circulación de aire puede verse restringida (vea la Figura 2).

Modelo	Estilo de la Puerta	Altura mínima	Altura Máxima
ML24	S	33 ¾" (85.7 cm)	34 ¾" (88.3 cm)
ML24	P	34" (86.4 cm)	35" (88.9 cm)

Tabla A

# INSTALACIÓN DE SU ARTEFACTO

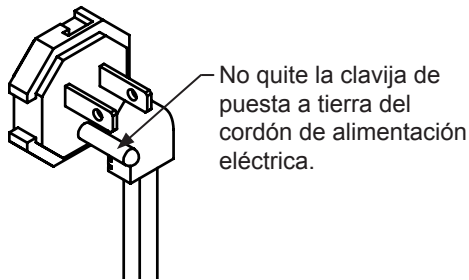


Figura 3

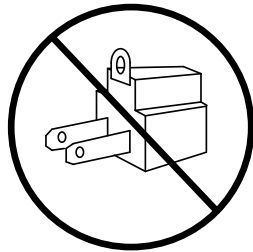


Figura 4

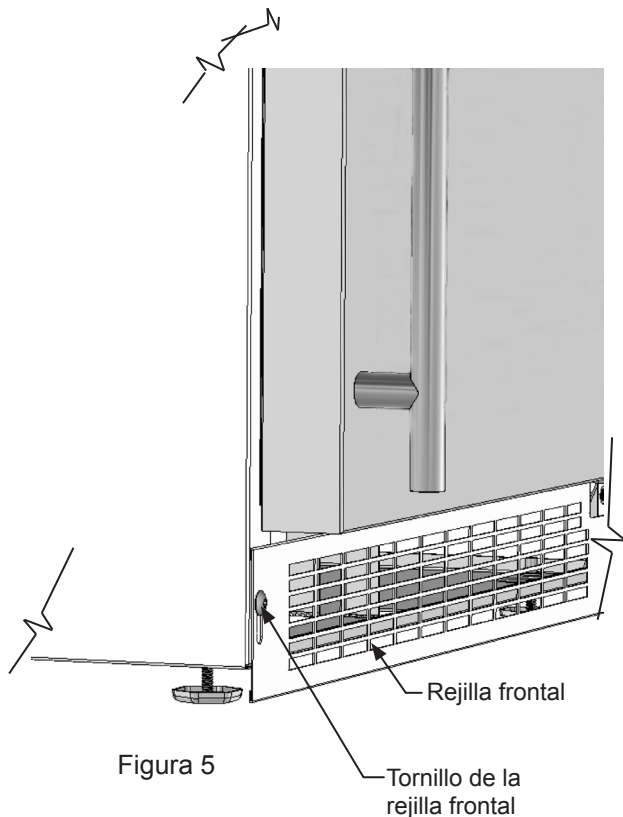


Figura 5



## ADVERTENCIA

### Peligro de choque eléctrico

- No utilice cordones de extensión con este artefacto. Pueden ser peligrosos, y pueden degradar el funcionamiento del producto.
- Este artefacto no debe conectarse en ninguna circunstancia a un suministro eléctrico sin conexión a tierra.
- No quite la clavija de puesta a tierra del cordón de alimentación eléctrica. (vea la Figura 3).
- No use un adaptador. (vea la Figura 4).
- No salpique ni rocíe agua desde una manguera sobre el artefacto. Si lo hace puede causar un choque eléctrico, que puede provocar lesiones graves o la muerte.

### Conexión eléctrica

Se necesita un circuito dedicado de 115 volts, 15 amperes.

Este producto está equipado de fábrica con un cordón de alimentación eléctrica que tiene un enchufe de tres clavijas con puesta a tierra. Debe enchufarse en un tomacorriente compatible con puesta a tierra, de acuerdo con el Código Eléctrico Nacional de los EE. UU., así como los códigos y ordenanzas locales que sean aplicables (vea la Figura 6). Si el circuito no tiene un tomacorriente con puesta a tierra, es responsabilidad y obligación del cliente proporcionar el suministro eléctrico correcto. No debe cortarse ni quitarse la tercera clavija de tierra bajo ninguna circunstancia.

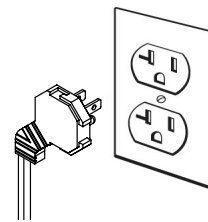


Figura 6

## NOTA

Los interruptores de falla a tierra (GFCI) son propensos a los falsos disparos, que harán que el artefacto se apague. Los GFCI no se usan por lo general en circuitos con equipos motorizados que deben funcionar desatendidos durante períodos prolongados, a menos que sea necesario para cumplir con los códigos y ordenanzas de edificación locales.

# INSTALACIÓN DEL SUMINISTRO DE AGUA MODELO ML24RI Y MODELO ML24RF CON KIT DE MÁQUINA DE HIELO OPCIONAL

## NOTA

Si tiene el modelo ML24RI, ya tiene una máquina de hielo instalada en fábrica.

Se ofrece para el modelo ML24RF un kit de máquina de hielo opcional (número de pieza S42418151) que incluye todas las piezas necesarias para la instalación. El kit puede solicitarse al Servicio al cliente de Marvel llamando al 800-223-3900.

## Suministro de agua

### ! PRECAUCIÓN

Observe y cumpla con todos los códigos de edificación locales cuando instale este artefacto.

Use para el suministro de agua un tubo de cobre de 1/4" diámetro exterior, que puede obtenerse en cualquier tienda de artículos de plomería o ferretería local. Doble el tubo de cobre de 1/4" como corresponda a su instalación; asegúrese de no retorcerlo. Compre un trozo suficiente de tubo de cobre y enróllelo detrás de la unidad para formar un 'bucle de servicio' que permita retirar el artefacto de la instalación para su servicio o limpieza. Conecte el tubo de cobre al 'lado superior' de una tubería de agua fría para impedir que la máquina de hielo se tapone con sedimentos.

Se recomienda colocar en la línea de suministro de agua una válvula de cierre para facilitar la prestación de servicio al artefacto.

**NOTA: NO SE RECOMIENDA EL USO DE UNA VÁLVULA DEL TIPO AUTOPERFORANTE**, ya que estas válvulas son propensas a atascarse con sedimentos, los que crearán una caída de presión que reducirá el suministro de agua a la unidad.

Conecte el tubo de cobre del suministro de agua entrada de la válvula de agua con tuerca de compresión suministrado. Asegure la línea de suministro de agua a la parte trasera del gabinete con el tornillo y la abrazadera provistos en la esquina del panel trasero (vea la Figura 7).

La presión de agua debe ser de 20 psi como mínimo para una operación correcta, y de 120 psi como máximo.

Asegúrese de que todas las conexiones de agua sean estancas después de la instalación. Conforme el tubo de manera que no vibre contra el cuerpo del gabinete ni se retuerza cuando se coloque el artefacto en su posición.

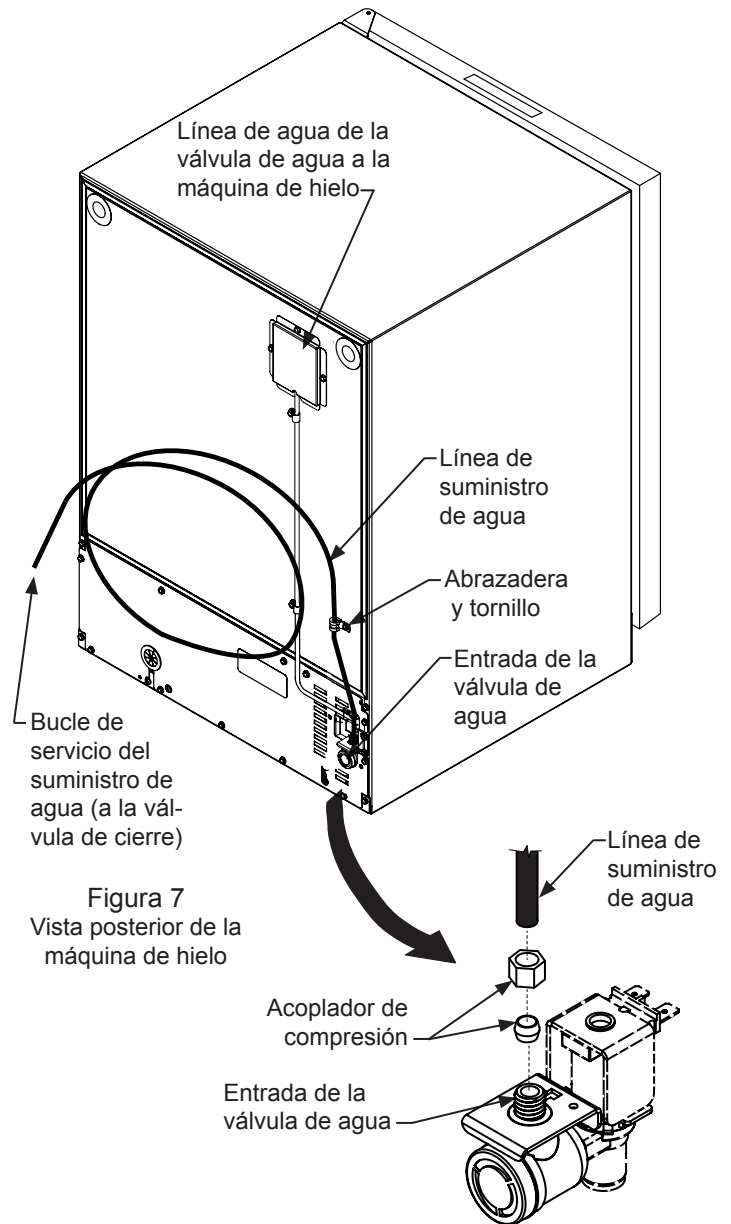


Figura 7  
Vista posterior de la máquina de hielo

## NOTA

- No utilice ningún sellador de roscas en estos acopladores de línea de agua.
- No se recomienda el empleo de ósmosis inversa, agua ablandada ni agua desionizada, ya que afectarán desfavorablemente la calidad del hielo.

## OPERACIÓN DE LA MÁQUINA DE HIELO



### PRECAUCION

Antes de encender la máquina de hielo debe activarse el suministro de agua de la misma. Si no se hace así, se producirá un ciclado seco rápido del calentador del molde de la máquina de hielo, lo que va a dar como resultado problemas de control de temperatura en el compartimiento del congelador.

### Operación de la máquina de hielo

- La unidad debe instalarse nivelada para la correcta operación de la máquina de hielo.
- Para que funcione la máquina de hielo, el alambre del brazo de corte debe estar bajado hasta su posición extrema inferior (vea la Figura 8).
- Cuando la unidad de la sección del congelador y la máquina de hielo se haya enfriado lo suficiente, la máquina recolectará cubos de hielo automáticamente.
- Cuando la cubeta de hielo esté llena, la máquina de hielo se apagará automáticamente.
- Puede detener manualmente la máquina de hielo elevando el brazo de corte hasta la posición de bloqueo, que es la posición extrema superior (vea la Figura 8).

### NOTA

Se recomienda apagar la máquina de hielo cuando se quite la cubeta; de lo contrario, se dispensará hielo que irá al piso del compartimiento del congelador.

Si no se utiliza el hielo regularmente, con el tiempo se amontonará. Para obtener los mejores resultados con el hielo, deseche el hielo de la caja según sea necesario y permita que la máquina de hielo fabrique un nuevo lote de hielo fresco. Para apagar la máquina de hielo, eleve el brazo de corte antes de quitar la cubeta.

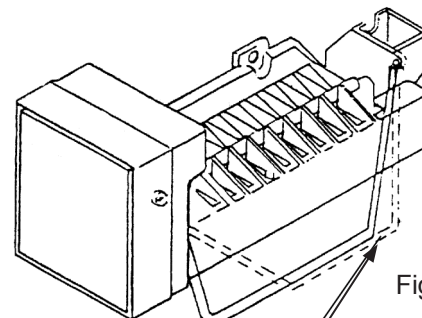


Figura 8

Brazo abajo: la máquina de hielo funcionará

Brazo arriba: la operación se detiene

### Almacenamiento a corto y largo plazo de la máquina de hielo:

Cuando se va a discontinuar la operación del artefacto por un período de tiempo, el molde de los cubos de hielo de la máquina de hielo debe vaciarse, para lo que se debe permitir que la máquina dispense cubos con el suministro de agua cortado.

1. Corte el suministro de agua.
2. Eleve el brazo de gancho de la máquina.
3. Vacíe la cubeta de hielo.
4. Vuelva a colocar la cubeta de hielo en la unidad y baje el brazo de gancho.

La dispensación de los cubos debe producirse dentro de las 2 horas. Después de que se dispensen los cubos de hielo, vacíe, limpie y vuelva a colocar la cubeta de cubos de hielo, y eleve el brazo de gancho.

## DIMENSIONES DEL PRODUCTO

MODELO	DIMENSIONES DE LA ABERTURA DE INSTALACIÓN pulgadas (cm)			DIMENSIONES DEL GABINETE pulgadas (cm)					
	"A"	"B"	"C"	"D"	"E"	"F"	"G"	"H"	"J"
ML24R*S	24" (61 cm)	**34" a 35" (86,4 a 88,9 cm)	24" (61 cm)	23 <sup>7</sup> / <sub>8</sub> " (60,7 cm)	33 <sup>3</sup> / <sub>4</sub> " a 34 <sup>1</sup> / <sub>4</sub> " (85,7 a 88,3 cm)	23 <sup>23</sup> / <sub>32</sub> " (60,2 cm)	25 <sup>2</sup> / <sub>32</sub> " (65,2 cm)	46 <sup>13</sup> / <sub>32</sub> " (117,9 cm)	25 <sup>1</sup> / <sub>16</sub> " (65,2 cm)
ML24R*P	24" (61 cm)	**34 <sup>1</sup> / <sub>4</sub> " a 35 <sup>1</sup> / <sub>4</sub> " (87 a 89,5 cm)	* 24" (61 cm)	23 <sup>7</sup> / <sub>8</sub> " (60,7 cm)	34" a 35" (86,4 a 88,9 cm)	22 <sup>7</sup> / <sub>8</sub> " (58,1 cm)	-	46 <sup>1</sup> / <sub>2</sub> " (118,1 cm)	23 <sup>1</sup> / <sub>8</sub> " (58,7 cm)

ESTILO DE LA PUERTA
(S) Puerta maciza
(P) Puerta maciza decorativa (sin manija)

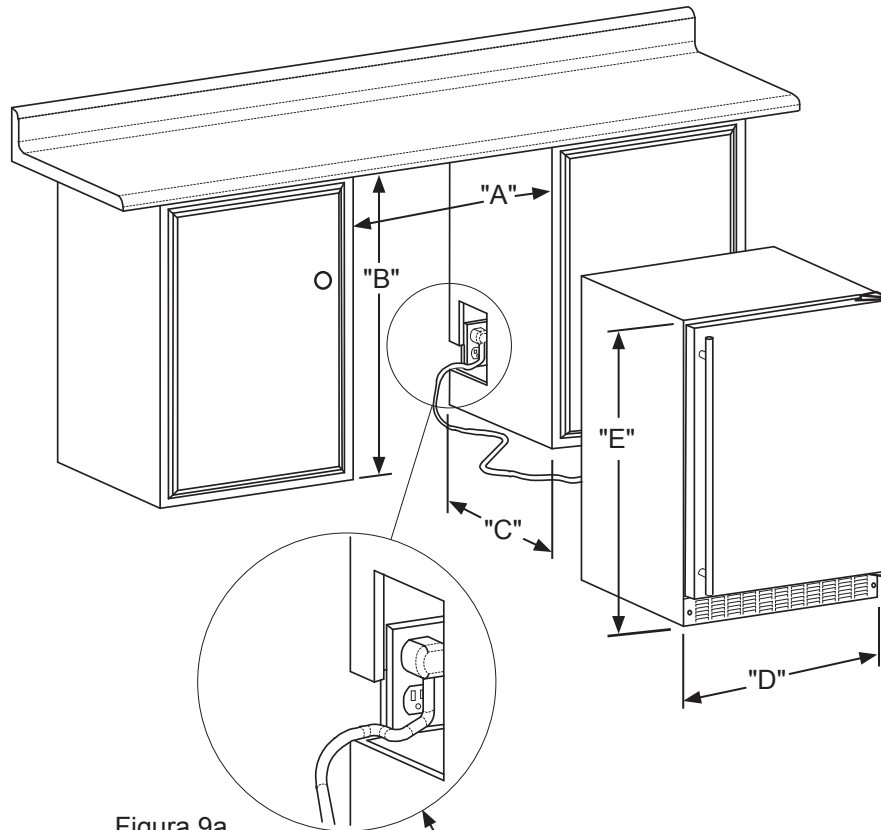


Figura 9

Figura 9a

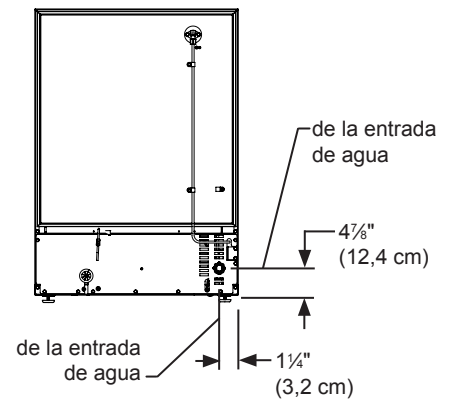
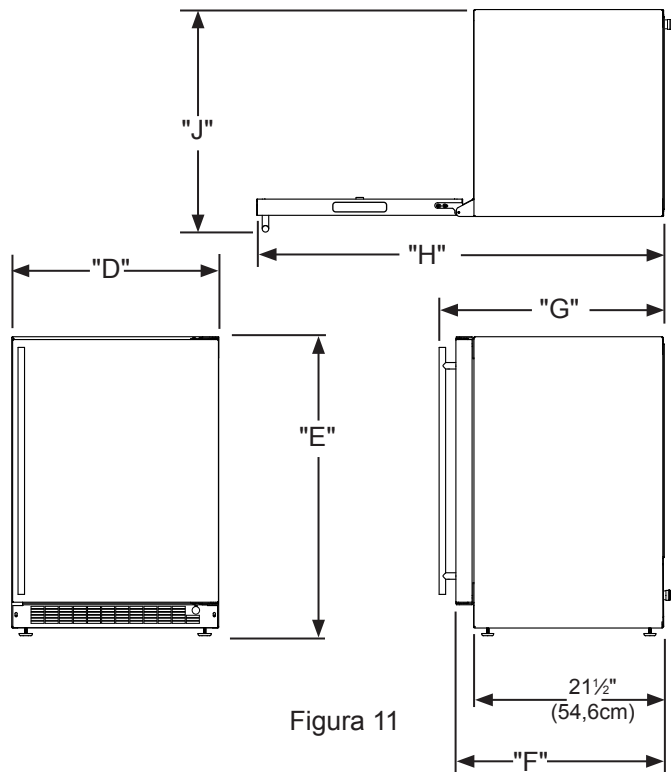
Si fuera necesario ganar espacio libre dentro de la abertura de instalación, puede hacerse un agujero a través del gabinete adyacente y pasar el cordón de alimentación eléctrica a través de ese agujero hasta un tomacorriente. Otra manera de aumentar la profundidad disponible de la abertura es empotrar el tomacorriente eléctrico en la pared trasera para ganar el espesor del enchufe de alimentación eléctrica. No todas las cajas de tomacorriente empotradas serán apropiadas para esta aplicación por ser demasiado delgadas, por lo que se recomienda para esta aplicación una caja de tomacorriente empotrada equivalente a la Arlington #DVFR1W (vea la Figura 10).



Figura 10

## DIMENSIONES DEL PRODUCTO

MODELO	DATOS DEL PRODUCTO	
	REQUISITOS ELÉCTRICOS #	PESO DEL PRODUCTO
ML24R*S	115V/60Hz/15A	140 lbs (63.6 kg)
ML24R*P	115V/60Hz/15A	140 lbs (63.6 kg)



\* Para instalar modelos (P) con la cara de la puerta alineada con las puertas de los armarios adyacentes, el espesor del panel decorativo del cliente no puede exceder de  $\frac{3}{4}$  de pulgada (19mm).

\*\* La abertura de instalación mínima requerida debe ser mayor que la altura ajustada del gabinete.

# Se necesita un circuito dedicado de 15 amperes con conexión a tierra. Cumpla con todos los códigos de edificación locales cuando instale el circuito eléctrico y el artefacto.



# PUESTA EN FUNCIONAMIENTO DE SU ARTEFACTO



## NOTA

### Puesta en funcionamiento de su artefacto:

Enchufe el cable eléctrico en la toma de corriente de pared de 115 V. Su artefacto se entrega de fábrica en la posición "Encendido" y comenzará a enfriar tan pronto se conecte a la alimentación eléctrica. Si el artefacto no arranca, verifique si la toma de corriente tiene electricidad y que el control esté en la posición "Encendido", (consulte la sección "Encendido / Apagado del artefacto" más adelante).

La pantalla de control está cubierta con una película de plástico transparente. Esta película se puede retirar levantándola con cuidado en una esquina.

Durante el encendido inicial, la pantalla de control mostrará una alarma por "Corte de energía". Esta es una condición normal pues el artefacto fue encendido por primera vez en la fábrica para la inspección de calidad y luego desconectado. Pulse una vez la tecla "Encendido / Apagado" para apagar la condición de alarma (consulte la sección "Alarmas" en la página 12).

Su producto tiene una función de descongelación automática que utiliza un elemento calentador eléctrico. Periódicamente durante la descongelación se puede observar lo siguiente:

- Sonidos de goteo y el agua que fluye causados por el derretimiento de la escarcha.
- El chisporrotear y el crepitar de agua goteando sobre el elemento calefactor.
- Un débil resplandor rojizo en el compartimiento del congelador desde del elemento calentador eléctrico.

Esas son todas las características de funcionamiento "normal" asociados con productos de refrigeración que incorporan descongelación automática. No representan un defecto del producto o de un problema de seguridad.



Figura 12  
Control electrónico para  
una sola zona

### Uso de su control electrónico



#### Modo de espera (una y dos zonas):

Si no se pulsa ninguna tecla durante 60 segundos, la pantalla entrará en el modo de espera para ahorrar energía. El panel de control se apagará, excepto el indicador de sistema OK que permanecerá encendido. Cualquier condición de alarma activará la pantalla, (vea "Alarmas" en la página 12).

**Para realizar cambios en los ajustes del control (encender o apagar el artefacto, ajustar la temperatura, cambiar la iluminación interior y activar el modo vacaciones), el control debe estar activado.**

Para activar la pantalla, pulse cualquier tecla. Sonará un tono audible de confirmación y aparecerá la temperatura actual del compartimiento de almacenamiento.



Si prefiere tener la pantalla continuamente encendida, desactive el modo de espera. Mantenga pulsado el botón "Bloqueo" hasta que en la pantalla desaparezca "Loc" y aparezca "nSL". Para activar el modo de espera, repita la instrucción anterior hasta que desaparezca "Loc" y la pantalla muestre "SLP".

## USO DE SU CONTROL ELECTRÓNICO



### Encendido (ON) y apagado (OFF) de su artefacto (una y dos zonas):

Si el artefacto está encendido (y no está en el modo de espera), la pantalla mostrará la temperatura. Para apagar el artefacto mantenga pulsada la tecla "Encendido / Apagado" durante 4 segundos. El control mostrará "OFF".



Para encender el artefacto mantenga pulsada la tecla de encendido / apagado durante 4 segundos.

### Ajuste de la temperatura:

#### NOTA

Su bodegas para vinos puede tardar hasta 48 horas para estabilizar la temperatura del compartimiento de almacenamiento en la primera carga con productos calientes.

Los cambios en la temperatura de consigna pueden hacer que el bodegas para vinos tarde hasta 24 horas para estabilizar la temperatura del contenido almacenado.

Los factores que afectan la estabilización de la temperatura en el compartimiento de almacenamiento son:

- Cambios en el valor de consigna de la temperatura.
- Cambios en la temperatura de la habitación.
- Temperatura del contenido almacenado.
  - Carga de productos calientes.
  - La carga de productos fríos retrasará el cambio a una temperatura de consigna más caliente.
  - La carga de productos calientes retrasará el cambio a una temperatura de consigna más fría.
- Uso (cantidad y duración de las aperturas de la puerta).
- Uso de la iluminación del compartimiento de almacenamiento (solo bodegas para vinoses con puerta de vidrio).
- Exposición del artefacto a la luz solar directa o a una fuente de calor.

Compartimiento del congelador seleccionado



Compartimiento del refrigerador seleccionado

Puede establecerse la temperatura para cada compartimiento individual (refrigerador o congelador/máquina de hielo). Para hacerlo, debe seleccionar primero el compartimiento para el que desea establecer la temperatura.

Para ello, oprima el botón del refrigerador (REF) o el botón del congelador (FRZ) en el display. Cuando se oprima un botón, se encenderá la luz LED respectiva.

Para cambiar la temperatura establecida para un compartimiento particular, con el compartimiento habilitado y fuera del modo de espera, oprima las teclas '-' o '+'. En el panel de interfaz de usuario se indicará 'SET', y aparecerá destellando el valor de ajuste de la temperatura actual. Al oprimir más veces las teclas '-' o '+', se ajustará la temperatura a valores más bajos o más altos respectivamente. Cuando haya alcanzado el valor de ajuste de la temperatura deseado, oprima la tecla 'Encendido/Apagado' ('On/Off') para aceptar, o, si no hace nada, el modo 'Ajuste' ('Set') terminará en 10 segundos aceptando la temperatura visualizada en el display como el nuevo valor de ajuste.

El rango de valores de ajuste de temperatura para su artefacto es de -6 °F (-21 °C) a 6 °F (-14 °C) para el compartimiento del congelador (máquina de hielo) y de 34 °F (1.2 °C) a 42 °F (5.7 °C) para el compartimiento del refrigerador. Si intenta ajustar la temperatura fuera de estos rangos, recibirá una notificación audible.



### Modo de temperatura :

El modo de temperatura está predefinido en fábrica en grados Fahrenheit (° F), pero usted tiene la opción de cambiar a Celsius (° C). Para cambiar el modo, mantenga pulsadas las teclas "-" y "+" y luego suelte la tecla "-".

La temperatura se mostrará ahora en grados centígrados (° C).

Repita el procedimiento para cambiar el modo de temperatura de nuevo a grados Fahrenheit (° F).



### Bloqueo del control :

El panel de control se puede bloquear para evitar cambios accidentales. Para bloquear el control, mantenga pulsada la tecla "Bloqueo" hasta que la pantalla muestre "Loc"; a inmediatamente continuación suelte la tecla. El icono de bloqueo parpadeará 3 veces y luego quedará permanentemente encendido. Cuando el panel de control está bloqueado, solo están activos el botón "Bloqueo", el indicador de sistema OK y el indicador de alarma. Para eliminar el bloqueo del panel de control, repita esta instrucción hasta que la pantalla muestre "nLc". A inmediatamente continuación suelte la tecla.

#### NOTA






Si el bloqueo de control está activo (icono de bloqueo iluminado) el control tienen que ser desbloqueados antes de usar el teclado para restablecer una situación de alarma. Consulte la página 11 (Bloqueo de control) para obtener instrucciones para desbloquear el control.

# USO DE SU CONTROL ELECTRÓNICO

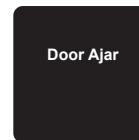
## Códigos de error del sensor de temperatura

Los sensores de temperatura son monitoreados continuamente. Cualquier condición de CIRCUITO ABIERTO o EN CORTOCIRCUITO iniciará un CÓDIGO DE ERROR según se enumera a continuación:

Códigos de error del sensor de temperatura			
Sensor	Código mostrado	Descripción del error	Acción que se debe tomar
Sensor de temperatura del refrigerador		El sensor de temperatura falló en el compartimiento de refrigerador. Puede llevar a temperaturas de almacenamiento no deseadas y/o productos perecederos dañados.	Llame al departamento de servicio para solicitar el reemplazo del sensor de temperatura. Retire todos los productos perecederos del compartimiento para evitar su deterioro.
Sensor de temperatura del congelador		El sensor de temperatura falló en el compartimiento de congelador. Puede llevar a temperaturas de almacenamiento no deseadas y/o productos perecederos dañados.	Llame al departamento de servicio para solicitar el reemplazo del sensor de temperatura. Retire todos los productos perecederos del compartimiento para evitar su deterioro.
Sensor de eliminación de escarcha		El sensor de temperatura de eliminación de escarcha falló. Causa que la unidad no elimine apropiadamente la escarcha y puede crear acumulación grande de escarcha. Puede llevar a daño por agua de la unidad y del piso circundante	Desenchufe inmediatamente el cable de suministro de energía y llame al departamento de servicio para solicitar el reemplazo del sensor de eliminación de escarcha

### Alarmas (una y dos zonas):

El control emitirá un aviso cuando las condiciones podrían afectar negativamente al rendimiento del artefacto.



- **Puerta entreabierta:** si la puerta está abierta o está mal cerrada durante más de 5 minutos, el indicador de sistema OK se apagará y comenzará a parpadear el indicador "Puerta entreabierta" acompañado de un tono audible cada 60 segundos. Además, se encenderá el indicador "ALARM RESET" (Apagar alarma) bajo la tecla "Encendido / Apagado".

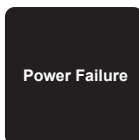
## NOTA



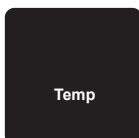
La alarma audible se puede silenciar, para cada ocurrencia, para pulsando la tecla "Bloqueo".

Esta condición de alarma se puede apagar mediante el cierre de la puerta o pulsando la tecla "Encendido / Apagado" (por ejemplo, cuando está limpiando el compartimiento de almacenamiento, etc.) La alarma se repetirá en 5 minutos si la condición de alarma persiste.

## USO DE SU CONTROL ELECTRÓNICO



- **Corte de energía:** si se interrumpe la alimentación al artefacto, el indicador de estado del sistema se apagará y comenzará a parpadear el indicador “Corte de energía”. Además, se encenderá el indicador “ALARM RESET” (Apagar alarma) bajo la tecla “Encendido / Apagado”. El equipo no emitirá ningún tono audible de aviso. Esta condición de alarma se puede apagar pulsando la tecla “Encendido / Apagado”. Si se produce esta alarma, se recomienda que verifique el estado de los alimentos perecederos, aún cuando el artefacto funcione normalmente y la temperatura se haya recuperado, pues los cortes de energía prolongados podrían dar lugar a variaciones de temperatura excesivas que pueden arruinar los alimentos perecederos.



- **Alarma de temperatura:** Si la temperatura del compartimiento de almacenamiento se desvía excesivamente de su temperatura de consigna durante un período prolongado de tiempo, el indicador "TEMP" parpadeará, y sonará un pitido cada 60 segundos. Además, un indicador “ALARM RESET” (Apagar alarma) aparecerá debajo del teclado “ON / OFF” (Encendido / Apagado).

### NOTA

Después de una condición de alarma de temperatura alta, revise todos los productos perecederos para garantizar que son seguros para consumo.

### NOTA

La alarma de temperatura puede ocurrir como resultado de un uso intensivo o la introducción de los contenidos calientes en el compartimiento de almacenamiento. Si la alarma de temperatura persiste, su unidad puede requerir servicio.

### NOTA



La alarma audible se puede silenciar, para cada ocurrencia, para pulsando la tecla “Bloqueo”.

Esta condición de alarma se puede apagar pulsando la tecla “Encendido / Apagado”. Si se produce esta alarma, se recomienda que verifique el estado del contenido almacenado, aún cuando el artefacto funcione normalmente y la temperatura se haya recuperado, pues las variaciones de temperatura prolongadas pueden arruinar los alimentos perecederos.

### NOTA

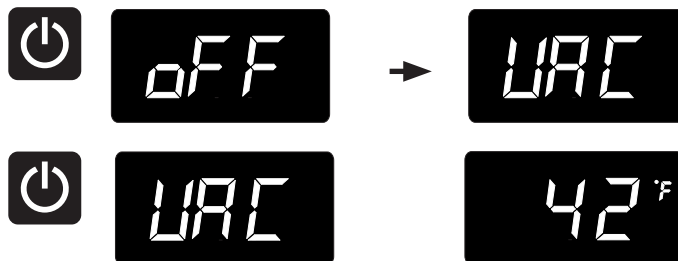
Door Ajar  
Temp

También pueden aparecer varias alarmas al mismo tiempo. Por ejemplo, una alarma de “Puerta entreabierta” durante un tiempo prolongado puede generar una alarma por temperatura “Temp” con la activación simultánea de ambos indicadores.

### Modo Vacaciones:

Este modo de operación se puede utilizar para ahorrar energía mediante la desactivación de las luces, los tonos de alarma y los tonos de entrada de teclado durante los períodos en los que el costo de la energía es elevado, o cuando el artefacto no será utilizado durante un tiempo prolongado. El modo Vacaciones también sirve como modo de reposo sabático mediante la desactivación de las funciones y los controles de acuerdo con el Shabat y las fiestas religiosas observadas por la comunidad judía ortodoxa. Cuando se utiliza como modo de reposo sabático, puede abrir o cerrar la puerta en cualquier momento para acceder al contenido sin preocuparse del encendido o apagado de luces, indicaciones digitales, solenoides, ventiladores, válvulas, compresor, íconos, tonos audibles o alarmas.

Quando este modo está activado, la pantalla, los indicadores y tonos de alarma, los tonos de entrada del teclado, las luces interiores y todas las opciones están desactivadas. Todas las funciones del teclado están desactivadas excepto la de la tecla “Encendido / Apagado”, necesaria para salir del modo Vacaciones. Las temperaturas del compartimiento de almacenamiento son supervisadas y controladas en la configuración antes de entrar en el modo Vacaciones.



Para acceder al modo Vacaciones (con el control fuera del modo de espera), mantenga pulsada la tecla “Encendido / Apagado” hasta que la pantalla deje de mostrar “OFF” y aparezca “VAC”. La pantalla parpadeará “VAC” 3 veces para reconocer su solicitud, a continuación, mostrará “VAC” continuamente hasta que se salga del modo Vacaciones. Un corte de energía no producirá la salida del modo Vacaciones, esto solo puede llevarse a cabo manualmente. Para salir del modo Vacaciones y volver al funcionamiento normal, mantenga pulsada la tecla “Encendido / Apagado” hasta que el control muestre la temperatura.

# INSTALACIÓN DEL PANEL DE PUERTA DECORATIVO

Si ha comprado un modelo con panel decorativo, su unidad estará equipada con bisagras articuladas que permiten una instalación totalmente empotrada. La unidad admite paneles de  $\frac{5}{8}$ " (15 mm) y  $\frac{3}{4}$ " (18 mm) de espesor.

## PRECAUCIÓN

Es importante usar la rejilla provista de fábrica que viene con el producto para asegurar que se mantenga el flujo de aire a través del condensador. No se recomienda el uso de una rejilla personalizada pues anulará la garantía.

## ADVERTENCIA

Los modelos con paneles decorativos están diseñados para usar **únicamente en instalaciones empotradas**. El uso en instalaciones autosostenidas podría ocasionar lesiones personales.

### Paso 1: desmonte la puerta.

Con un destornillador Phillips retire el tornillo y la abrazadera "P" de la parte inferior de la puerta cerca de la bisagra (vea la Figura 13b).

Apriete la lengüeta de sujeción del conector del cable y tire del conector para desconectar el cable de la puerta (vea la Figura 14).

Abra la puerta y afloje los tornillos que sujetan las bisagras al gabinete (2 en la parte superior y 2 en la bisagra inferior). No quite los tornillos pero aflójelos lo suficiente como para que las bisagras se liberen al deslizar la puerta hacia un costado para su desmontaje.

## ADVERTENCIA

Las bisagras articuladas tienen muchos puntos que podrían pellizcar sus manos y dedos; por consiguiente, lo más seguro es cerrar las bisagras articuladas cuando está desmontando.

Con un ayudante, y teniendo cuidado de no rayar el gabinete ni la puerta, deslice la puerta hacia el costado aproximadamente  $\frac{1}{2}$  pulgada (13 mm) y retire la puerta con las bisagras de la unidad.



## ADVERTENCIA

Tenga mucho cuidado con las bisagras articuladas. La bisagra es de cierre automático y existen muchos puntos que podrían pellizcar sus manos antes de la instalación empotrada. **No desmonte el soporte en "Z" de la parte superior del gabinete.**

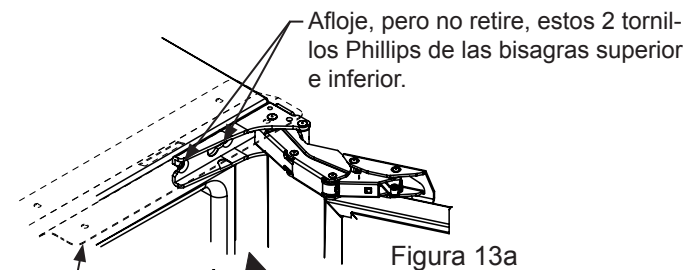


Figura 13a

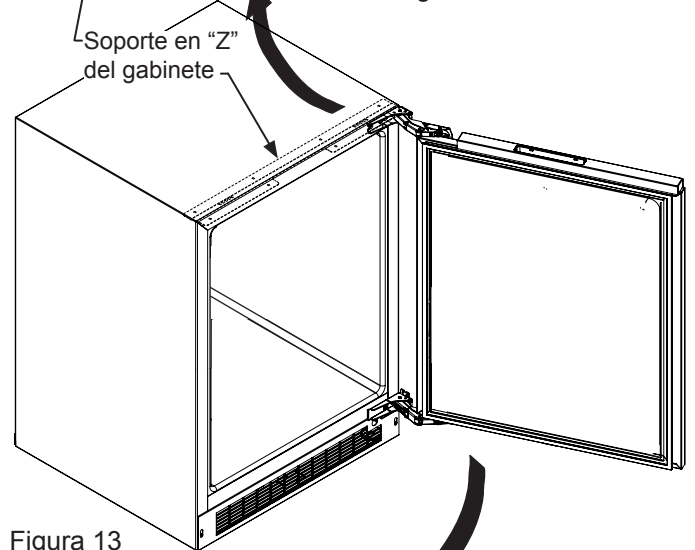


Figura 13

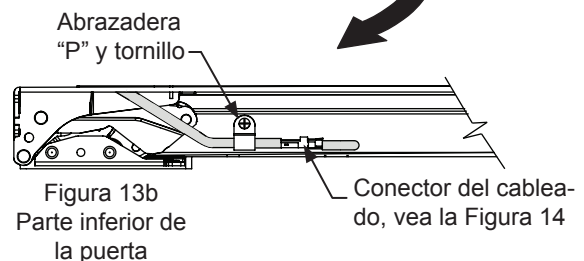
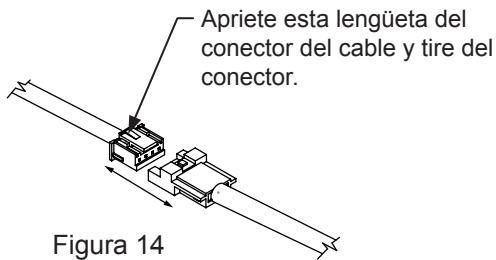


Figura 13b  
Parte inferior de la puerta

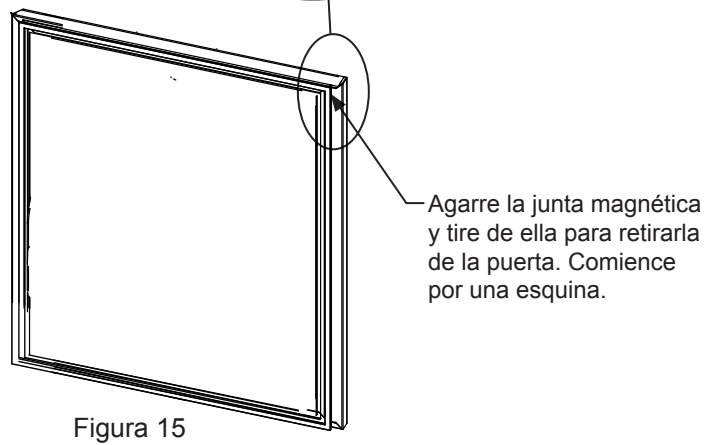
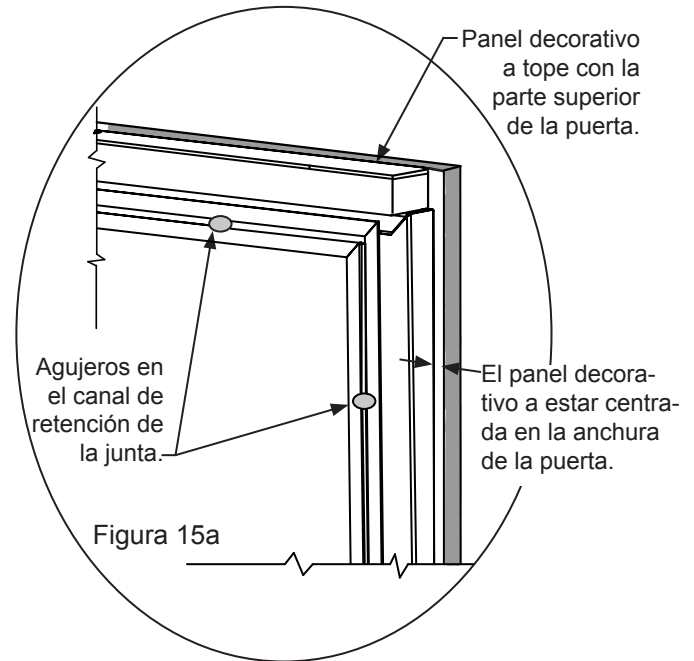
# INSTALACIÓN DEL PANEL DE PUERTA DECORATIVO



## Paso 2: desmonte la junta de la puerta.

Coloque la puerta sobre una superficie plana y, comenzando desde una esquina de la puerta, retire la junta magnética del lado interior de la puerta (vea la Figura 15). Deje la junta a un lado sobre una superficie plana.

Los canales que retienen la junta tienen 10 agujeros (3 en cada lado, 2 arriba y 2 abajo) que serán utilizados para sujetar el panel decorativo a la parte delantera de la puerta. Los tornillos se suministran con los manuales del artefacto, junto con la cerradura de la puerta (en ciertos modelos). Los tornillos están incluidos con los manuales.



**PRECAUCION**

El peso del panel decorativo de la puerta no debe exceder de 15 libras (6,8 kg)

## Paso 3: corte y perfore el panel decorativo.

Corte el panel decorativo de acuerdo con el modelo de artefacto y las dimensiones indicadas en las figuras 16 a 19.

# INSTALACIÓN DEL PANEL DE PUERTA DECORATIVO



## PRECAUCION

El peso del panel decorativo de la puerta no debe exceder de 15 libras (6,8 kg)

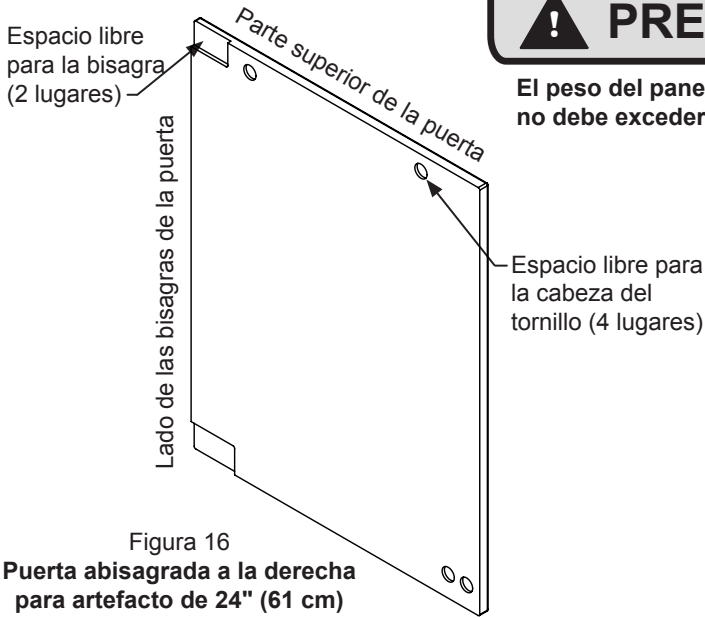


Figura 16  
Puerta abisagrada a la derecha para artefacto de 24" (61 cm) de ancho.

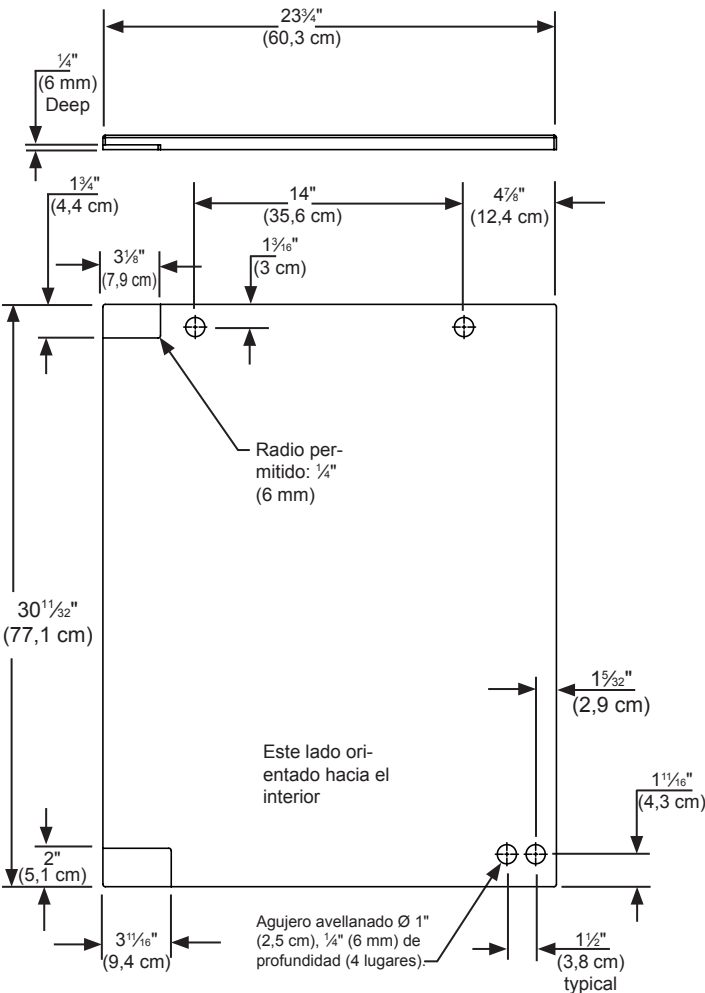


Figura 17  
Puerta abisagrada a la derecha para artefacto de 24" (61 cm) de ancho.

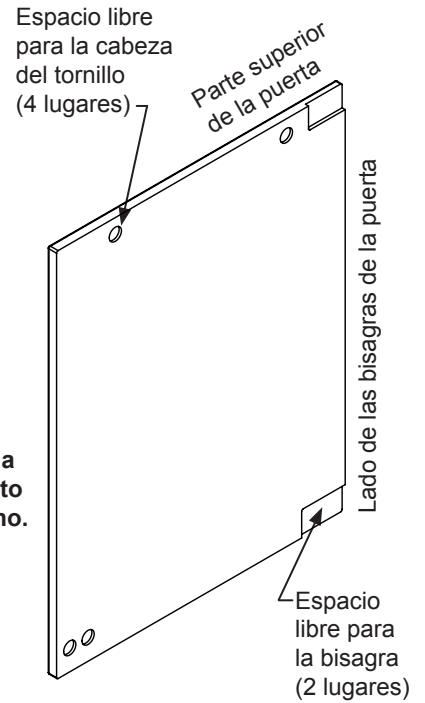


Figura 18  
Puerta abisagrada a la izquierda para artefacto de 24" (61 cm) de ancho.

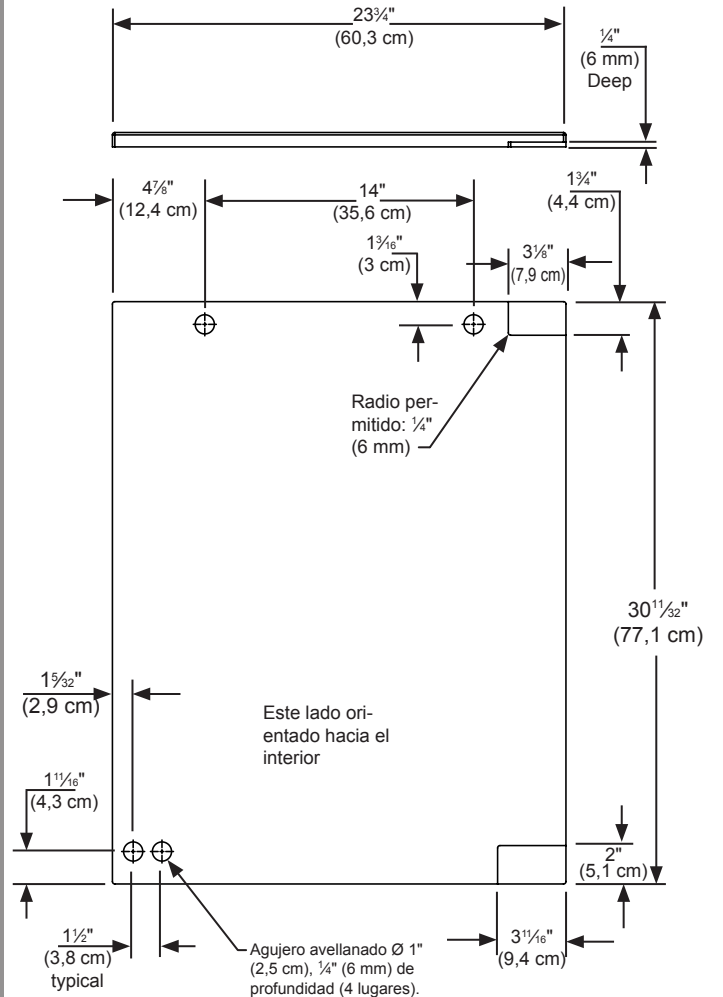


Figura 19  
Puerta abisagrada a la izquierda para artefacto de 24" (61 cm) de ancho.



# INSTALACIÓN DEL PANEL DE PUERTA DECORATIVO

Tipo de material	Tornillo para madera n.º 10
Madera dura	Agujero de guía Ø 1/8" (3,2 mm)
Madera blanda	Agujero de guía Ø 7/64" (2,8 mm)

Tabla B

## Paso 4: monte el panel en la puerta.

El método preferido para fijar el panel a la puerta es sujetarlo con pinzas para que no pueda moverse al perforar los agujeros para guía de los tornillos. Utilice sargentos de carpintero o pinzas tipo "C" con almohadillas en las superficies de sujeción para no arruinar el panel ni la puerta. El panel decorativo cortado a la medida debe estar nivelado a tope con la parte superior de la puerta y centrado a ambos lados de la puerta (vea la Figura 15a). Perfore 10 agujeros a través del canal de la junta y use los agujeros como guía. Utilice una broca de la medida indicada en la Tabla 'B' y tenga cuidado de no perforar hasta la superficie delantera del panel. Perfore hasta una profundidad no mayor de 1/2" (12,7 mm). Si el espesor del panel decorativo es menor de 5/8" (16 mm) deberá buscar tornillos más cortos. Fije el panel a la puerta con los 10 tornillos incluidos con los manuales del artefacto (vea la Figura 20). Retire las pinzas y vuelva a instalar la junta en los canales de la puerta. Puede ser necesario aplicar algo de fuerza para asentar la junta en los canales. Verifique que las esquinas de la junta estén asentadas correctamente.

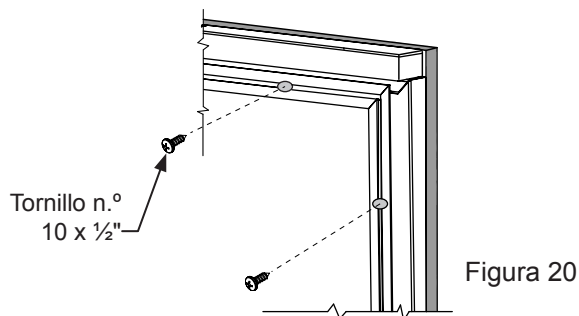


Figura 20

## Paso 5: instale la puerta.

Abra con cuidado las bisagras superior e inferior de la puerta pues hay muchos puntos que pueden pellizcarle la mano. Coloque las bisagras en los 4 tornillos del gabinete, 2 en la parte superior y 2 en la parte inferior y deslice la puerta en su posición. Apriete los 4 tornillos de la bisagra con un destornillador Phillips (vea las Figuras 13 y 13a). Monte el mazo de cables desde la rejilla hasta la parte inferior de la puerta y asegúrelo con el tornillo y la abrazadera "P" desmontados en el paso 1 (vea la Figura 13b). Vuelva a conectar el mazo de cables, (vea la Figura 14).

## Paso 6: asegure el gabinete.

Utilice los tornillos n.º 8 x 3/4" incluidos con los manuales para asegurar la encimera a la parte superior del gabinete a través de los agujeros del soporte "Z" del gabinete.

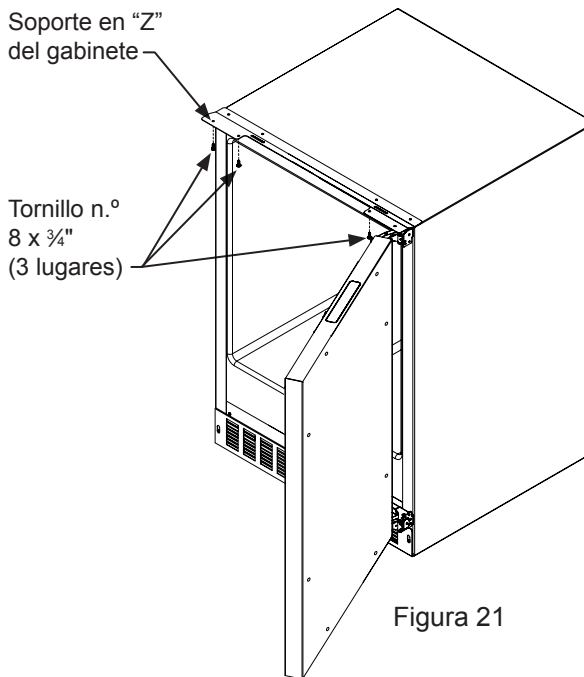


Figura 21

## CONFIGURACIONES DE ESTANTES

### Refrigerador/congelador de 24" (61 cm) de ancho (vea la Figura 22):

#### Refrigerador:

- (2) Estantes de vidrio de ancho mitad en voladizo, ajustables (vea la Figura 25)
- (1) Estante de vidrio de ancho total, posición fija
- (1) Gaveta transparente con guía de rodillos para fruta y verdura

#### Congelador:

- (1) Estante metálico de posición fija (vea la Figura 27)

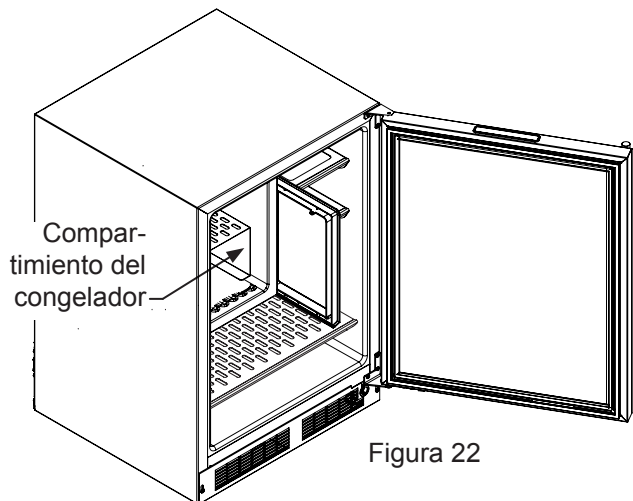


Figura 22

### Refrigerador/congelador de 24" (61 cm) de ancho (vea la Figura 24):

#### Refrigerador:

- (2) Estantes de vidrio de ancho mitad en voladizo, ajustables (vea la Figura 25)
- (1) Estante con guía de rodillos, vea la Figure 28.

#### Congelador:

- (1) Estante metálico de posición fija (vea la Figura 27)

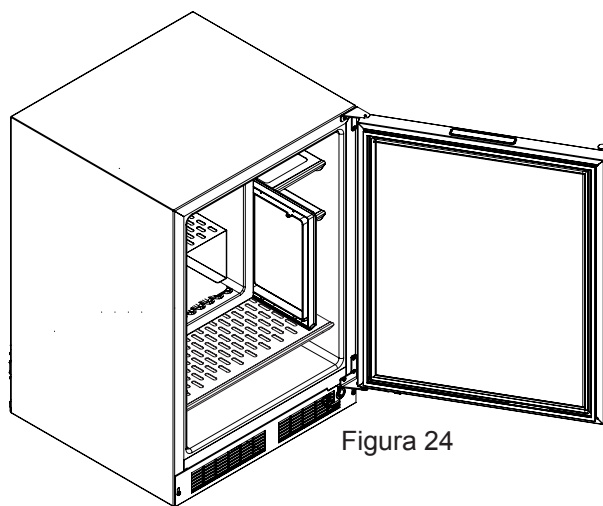


Figura 24

### Refrigerador/máquina de hielo de 24" (61 cm) de ancho (vea la Figura 23):

#### Refrigerador:

- (2) Estantes de vidrio de ancho mitad en voladizo
- (1) Estante de vidrio de ancho total, posición fija
- (1) Gaveta transparente con guía de rodillos para fruta y verdura

#### Congelador:

- (1) Máquina de hielo con cubeta de hielo (vea la Figura 26)

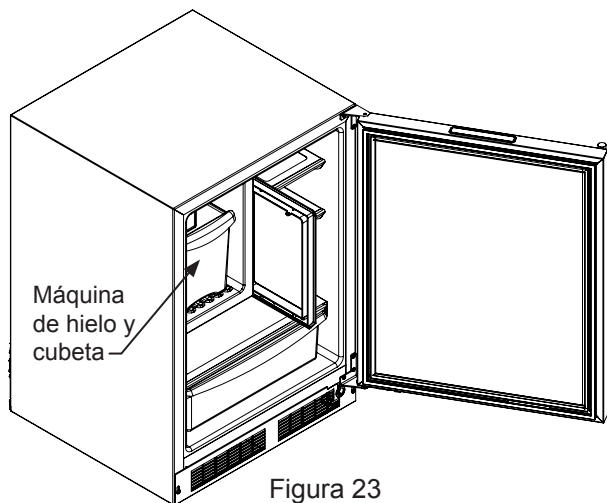


Figura 23

Figura 25  
Marco y estante de vidrio plano

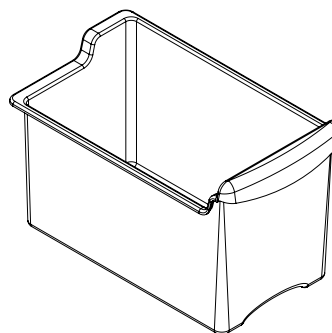
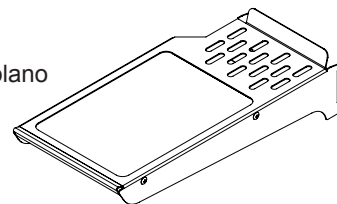
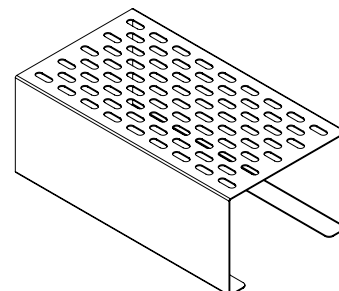


Figura 26  
Cubeta de hielo  
Modelo RI  
únicamente

Figura 27  
Estante del congelador  
Modelo RF únicamente



## EXTRACCIÓN DE ESTANTES CONSEJOS PARA AHORRAR ENERGÍA

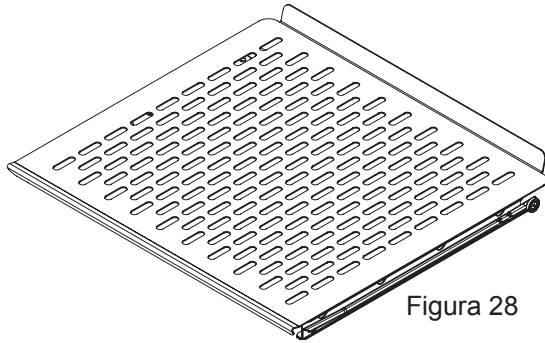


Figura 28

### Para agregar o quitar un estante

Retire del estante los productos almacenados. No intente quitar del artefacto un estante cargado. Agarre el frente del estante con ambas manos, haga girar el frente hacia arriba y levántelo (vea la Figura 28a). Para instalar un estante, insértelo en el artefacto, inserte los ganchos superiores en las ranuras de soporte del estante, y suelte el estante de modo que los ganchos caigan sobre el fondo de las ranuras.

Agarre el estante por el frente con ambas manos y haga rotar el frente del estante hacia arriba; luego levante el estante y quítelo de los rieles de montaje.

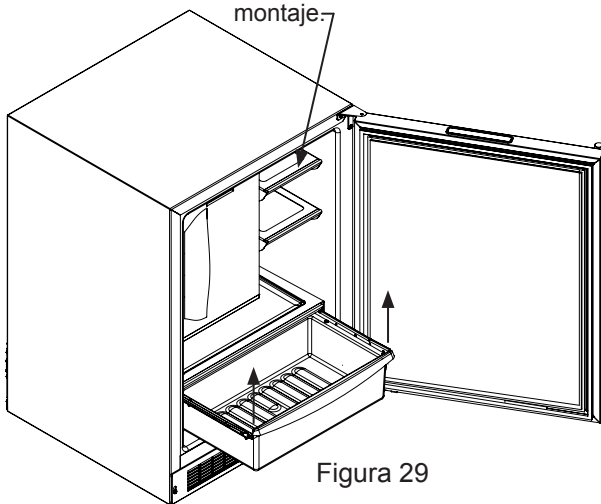


Figura 29

### Para quitar la gaveta para fruta y verdura:

Tire hacia afuera hasta que haga tope. Levante el frente de la gaveta y quítela del marco.



### PRECAUCION

Asegúrese de que su estante en voladizo esté asegurado sobre los soportes; para ello, haga presión sobre el estante antes de cargarlo.



### PRECAUCION

No intente nunca extraer un estante cargado; quite todo el contenido del estante antes de moverlo. Al mover el estante, utilice ambas manos.

### Las siguientes sugerencias reducirán al mínimo el costo de utilización de su artefacto de refrigeración.

1. No instale el artefacto cerca de un electrodoméstico que emita calor (cocina, lavavajillas, etc.), conductos de calefacción y otras fuentes de calor.
2. Instale el producto alejado de la luz solar directa.
3. Verifique que los orificios de ventilación de la rejilla delantera del artefacto ubicada bajo la puerta no estén obstruidos y manténgalos limpios para permitir la evacuación del calor que genera el sistema de refrigeración.
4. Conecte el artefacto a un circuito de alimentación exclusivo (no compartido con otros equipos).
5. La primera vez que cargue su nuevo artefacto, o cuando coloque grandes cantidades de productos calientes en el compartimiento de almacenamiento refrigerado, abra la puerta la menor cantidad de veces posible durante las siguientes 12 horas para permitir que el contenido alcance la temperatura programada.
6. Mantenga el compartimiento de almacenamiento relativamente lleno; el artefacto funcionará durante menos tiempo que con el compartimiento vacío.
7. Verifique que el cierre de la puerta no esté obstruido por los productos almacenados en el artefacto.
8. Si el producto que será almacenado está caliente, deje que alcance la temperatura ambiente antes de colocarlo en el artefacto.
9. Reduzca al mínimo la cantidad de veces que abre la puerta y el tiempo en que esta permanece abierta.
10. Utilice la temperatura de consigna más cálida que se adapte a sus preferencias personales y que ofrezca el almacenamiento más adecuado para sus productos.
11. Al salir de vacaciones o estar fuera de la casa durante períodos prolongados, ajuste el artefacto a la mayor temperatura aceptable para el contenido almacenado y eleve el brazo de gancho de la máquina de hielo para interrumpir la producción de hielo.
12. Si la limpieza del artefacto requiere que la puerta permanezca abierta durante un período prolongado, ajuste el control a la posición de apagado "Off".

# CUIDADOS Y LIMPIEZA

## SOLICITUD DE SERVICIO TÉCNICO

### Rejilla frontal

Verifique que nada obstruye el flujo de aire requerido en las aberturas delanteras del gabinete. Cepille o limpie con una aspiradora las pelusas y suciedad acumuladas en las aberturas de la rejilla al menos una o dos veces al año (vea la página 4).



**PELIGRO DE CHOQUE ELÉCTRICO:** Desconecte la alimentación eléctrica del artefacto antes de limpiarlo con agua y jabón.

### Gabinete

El gabinete pintado puede lavarse con agua jabonosa tibia y enjuagarse con agua limpia. NUNCA use limpiadores abrasivos.

### Interior

Lave el compartimiento interior con agua jabonosa tibia. NO utilice limpiadores abrasivos, disolventes, limpiadores pulidores ni detergentes puros.

### Cuidado del artefacto

1. Evite apoyarse en la puerta, podría doblar las bisagras de la puerta o inclinar el artefacto.
2. Tenga cuidado al barrer, pasar la aspiradora o fregar cerca del frente del artefacto pues podría dañar la rejilla.
3. Limpie periódicamente el interior de la unidad según sea necesario.
4. Revise o limpie periódicamente la rejilla delantera según sea necesario.

### Ante una falla en la alimentación eléctrica, proceda como se indica a continuación

Si se interrumpe la alimentación eléctrica, trate de corregirla lo antes posible. Reduzca al mínimo las aperturas de la puerta durante la interrupción del servicio eléctrico pues ello afecta negativamente la temperatura de la unidad.

### Reemplazo del equipo de iluminación interior

Todos los modelos utilizan lámparas LED para iluminar el interior del artefacto. Este componente es muy confiable, pero si una lámpara falla, comuníquese con un técnico de servicio calificado para que reemplace el LED.

### Si necesita asistencia técnica tenga en cuenta lo siguiente:

- Si aún no ha finalizado el primer año del período de garantía del producto, comuníquese con su distribuidor o llame al servicio de atención al cliente de AGA MARVEL al teléfono 800.223.3900 para solicitar instrucciones sobre cómo obtener cobertura por garantía en su localidad.
- Si el período de garantía de un año ha caducado, el servicio de atención al cliente de AGA MARVEL puede recomendarle un centro de servicios técnicos cercano a su domicilio. También puede encontrar la lista de los centros de servicio técnico autorizados en la sección Servicio y asistencia técnica (Service and support) en la página de Internet [www.agamarvel.com](http://www.agamarvel.com).
- En toda correspondencia referida a asistencia técnica, no olvide incluir el número de servicio, el número de serie y la prueba de compra de la unidad.
- Trate de obtener toda la información posible o la descripción del problema, cuánto tiempo ha estado en funcionamiento el artefacto, la temperatura de la habitación y cualquier otra información adicional que pueda ser de utilidad para resolver rápidamente el problema.
- La Tabla 'C' se suministra para registrar la información correspondiente a su producto para consultas futuras.

Para su registro	
Fecha de la compra	
Nombre del distribuidor	
Dirección del distribuidor	
Ciudad	
Estado	
Código postal	
Número de serie del artefacto	
Número de servicio del artefacto	
Fecha en la que envió la tarjeta de la garantía (debe ser dentro de los 10 días de la compra).	

Tabla C

# LOCALIZACIÓN DE FALLAS

## Antes de llamar al servicio técnico siga estos consejos

Si el artefacto parece estar funcionando mal, lea primero este manual. Si el problema persiste, vea la guía de localización de fallas incluida a continuación. Antes de llamar al servicio técnico, localice el problema en la guía y consulte su causa y su solución. Tal vez el problema sea algo muy simple que puede resolverse sin llamar al servicio técnico. Sin embargo, puede ser necesario ponerse en contacto con su distribuidor o con un técnico de servicio calificado.

## NOTA

Su producto tiene una función de descongelación automática que utiliza un elemento calentador eléctrico. Periódicamente durante la descongelación se puede observar lo siguiente:

- Sonidos de goteo y el agua que fluye causados por el derretimiento de la escarcha.
- El chisporrotear y el crepitar de agua goteando sobre el elemento calefactor.
- Un débil resplandor rojizo en el compartimiento del congelador desde del elemento calentador eléctrico.

Esas son todas las características de funcionamiento "normal" asociados con productos de refrigeración que incorporan descongelación automática. No representan un defecto del producto o de un problema de seguridad.



## PRECAUCION

En el caso improbable que usted pierda enfriamiento en su unidad, **no desenchufe la unidad fuera del suministro eléctrico**, y llame inmediatamente un técnico de servicio calificado. Es posible que la pérdida de capacidad de enfriamiento sea el resultado de una acumulación excesiva de escarcha en el serpentín de enfriamiento del evaporador. En este caso, retirar la energía que va hacia la unidad resultará en el derretimiento de esta cantidad excesiva de hielo, lo cual podría generar que el agua derretida exceda la capacidad del sistema colector de agua descongelada y podría resultar en daño por agua de su casa. El usuario final será el responsable final de cualquier daño por agua causado por apagar prematuramente la unidad sin manejar apropiadamente el exceso de agua de rebose.



## ADVERTENCIA

### Peligro de electrocución

- Nunca intente reparar o realizar tareas de mantenimiento en el artefacto sin haberlo previamente desconectado de la alimentación eléctrica. Apagar el artefacto desde el control no desconecta la corriente eléctrica de los cables del artefacto.
- Vuelva a colocar todas las piezas y paneles antes de poner en funcionamiento.

Problema	Causa posible	Solución
El artefacto no enfría lo suficiente (vea "Ajuste de la temperatura" en la página 11).	• El control está ajustado a una temperatura muy alta.	• Ajuste a una temperatura más fría. Espere 24 horas hasta que la temperatura se estabilice.
	• La temperatura del contenido no se ha estabilizado.	• Deje que la temperatura se estabilice por al menos 24 horas.
	• Uso excesivo o aperturas prolongadas de la puerta.	• El flujo de aire por la rejilla delantera no debe estar obstruido. Vea "Espacios libres" en la página 4.
	• Obstrucción del flujo de aire en la rejilla delantera.	• Reemplace la junta de la puerta.
El artefacto enfría demasiado (vea "Ajuste de la temperatura" en la página 11).	• La junta de la puerta no sella correctamente.	• Ajuste a una temperatura más cálida. Espere 24 horas hasta que la temperatura se estabilice.
	• El control está ajustado a una temperatura muy baja.	• Reemplace la junta de la puerta.
La luz interior no funciona.	• Falla en el dispositivo de iluminación LED o en el interruptor de la luz.	• Comuníquese con un técnico de servicio calificado.
La luz no se apaga al cerrar la puerta.	• La puerta no activa el interruptor de la luz.	• El artefacto está desnivelado; nivele el artefacto (vea "Patatas niveladoras" en la página 4).
	• Falla del interruptor de la luz.	• Comuníquese con un técnico de servicio calificado.
Ruido o vibración.	• El artefacto está desnivelado.	• Nivele el artefacto, vea "Patatas niveladoras" en la página 4.
	• El ventilador golpea contra una obstrucción en el conducto.	• Comuníquese con un técnico de servicio calificado.
El artefacto no funciona.	• El artefacto está apagado.	• Encienda el artefacto. Vea "Puesta en funcionamiento de su artefacto" en la página 10.
	• El cordón de alimentación no está enchufado.	• Enchufe el cordón de alimentación.
	• No hay energía en la toma de corriente.	• Revise el circuito de la casa.

## LOCALIZACIÓN DE FALLAS DE LA MÁQUINA DE HIELO

Problema	Causa posible	Solución
La unidad funciona pero produce poco o nada de hielo.	<ul style="list-style-type: none"> <li>La unidad acaba de arrancar, o ha funcionado durante menos de 24 horas.</li> </ul>	<ul style="list-style-type: none"> <li>La producción de hielo normal es de 6 a 7 libras por día. Espere a que la sección del congelador alcance la temperatura correcta, y que la máquina de hielo haga ciclos y acumule hielo.</li> </ul>
	<ul style="list-style-type: none"> <li>El suministro de agua no está abierto.</li> </ul>	<ul style="list-style-type: none"> <li>Abra el suministro de agua a la unidad.</li> </ul>
	<ul style="list-style-type: none"> <li>La presión del suministro de agua a la unidad es inadecuada.</li> </ul>	<ul style="list-style-type: none"> <li>La presión de agua para la unidad debe ser de 20 psi como mínimo.</li> </ul>
	<ul style="list-style-type: none"> <li>El brazo de corte de la máquina de hielo está en su posición extrema superior (Apagado).</li> </ul>	<ul style="list-style-type: none"> <li>Cuando el brazo de corte de la máquina de hielo está en la posición extrema superior, la máquina de hielo está apagada. Gire el brazo hacia abajo para encender la máquina de hielo.</li> </ul>
	<ul style="list-style-type: none"> <li>La sección del congelador no ha alcanzado la temperatura correcta.</li> </ul>	<ul style="list-style-type: none"> <li>Espere a que la sección del congelador alcance la temperatura correcta.</li> </ul>
	<ul style="list-style-type: none"> <li>Control del termostato ajustado a una temperatura demasiado alta.</li> </ul>	<ul style="list-style-type: none"> <li>Gire el control de temperatura hasta un número mayor, para que la unidad funcione más fría. Espere 24 horas antes de volver a ajustar el control de temperatura.</li> </ul>
	<ul style="list-style-type: none"> <li>La circulación de aire del ventilador del condensador está restringida.</li> </ul>	<ul style="list-style-type: none"> <li>Asegúrese de que la rejilla del frente de la unidad esté libre y abierta para la circulación de aire. Se requiere que la rejilla esté limpia.</li> </ul>
	<ul style="list-style-type: none"> <li>La temperatura ambiente y/o la del agua son demasiado altas.</li> </ul>	<ul style="list-style-type: none"> <li>Traslade la unidad a un lugar en el que la temperatura ambiente sea menor de 90 °F. La unidad no debe colocarse cerca de una fuente de calor, como por ejemplo un horno. Revise la conexión de agua fría.</li> </ul>
	<ul style="list-style-type: none"> <li>La presión de agua es demasiado baja.</li> </ul>	<ul style="list-style-type: none"> <li>La línea de suministro de agua está retorcida.</li> <li>Hay acumulación de sedimentos en la línea de suministro de agua.</li> </ul>
Cubos de hielo pequeños	<ul style="list-style-type: none"> <li>Puede que se necesite ajustar la entrada de agua.</li> </ul>	<ul style="list-style-type: none"> <li>Debido a las presiones de agua diferentes, puede que se necesite ajustar la entrada de agua a la máquina de hielo. Comuníquese con un técnico de servicio calificado.</li> </ul>
Los cubos de hielo se adhieren entre sí.	<ul style="list-style-type: none"> <li>El consumo de hielo es bajo.</li> </ul>	<ul style="list-style-type: none"> <li>Si se almacena el hielo durante períodos prolongados, quedará adherido.</li> </ul>
	<ul style="list-style-type: none"> <li>Cubos de hielos huecos con un centro líquido, que se rompen cuando se dispensan en la cubeta.</li> </ul>	<ul style="list-style-type: none"> <li>Falla de funcionamiento de la máquina de hielo: llame al servicio técnico.</li> </ul>



# GARANTÍA DE PRODUCTOS DOMÉSTICOS

## Para el producto completo

### Un año de garantía limitada sobre piezas y mano de obra del producto completo

AGA MARVEL garantiza el suministro de todas las piezas y la mano de obra necesarias para reparar o reemplazar en el domicilio u oficina del usuario cualquier componente en el que se haya comprobado la presencia de defectos, sea por materiales o por mano de obra, de acuerdo a las condiciones y exclusiones establecidas más adelante, durante un período de un año a partir de la fecha de compra del usuario final.

### Garantía limitada adicional exclusivamente sobre piezas entre el segundo y quinto años

Durante los cuatro años siguientes a la finalización del período de garantía limitada de un año, AGA MARVEL garantiza el suministro de piezas de repuesto para el sistema de refrigeración sellado herméticamente, compuesto por compresor, condensador, secador, acumulador, válvula de derivación, tuberías de conexión y evaporador, en las que se compruebe la presencia de defectos de mano de obra o materiales, de acuerdo a las condiciones y exclusiones establecidas más adelante.

Las garantías anteriores no cubren lo siguiente:

- Costos de transporte de los repuestos o piezas defectuosas devueltas.
- Capacitación del cliente o instrucciones sobre el uso del artefacto.
- Cualquier pérdida del contenido debido a una falla del producto.
- Remoción o instalación del producto.

Ninguna de las garantías que se indican cubren las fallas de este producto o de sus componentes debido a:

- Transporte o daños subsiguientes.
- Uso comercial o usos distintos de aquellos normales para un equipo para uso en el hogar u oficina pequeña.
- Instalación inadecuada, uso indebido, abuso, accidente o alteración, conexión a una instalación eléctrica que no cumple con los códigos eléctricos, bajo o alto voltaje, fallas por falta del mantenimiento necesario o por otros usos distintos a aquel para el cual fue diseñado el artefacto.

## Piezas o servicios

### No provistos o designados por AGA MARVEL

Las garantías indicadas tampoco serán de aplicación si:

- No se pudiesen verificar la factura original de compra, la fecha de entrega o el número de serie de la unidad.
- Las piezas defectuosas no son devueltas para inspección si así fue solicitado por AGA MARVEL.
- El poseedor del equipo de refrigeración no es el comprador original del producto.

Las garantías establecidas de aquí en más son las únicas garantías extendidas por AGA MARVEL. Toda garantía implícita, incluso la garantía implícita de comerciabilidad, está limitada a la duración de estas garantías expresas. En ningún caso AGA MARVEL será responsable por cualesquiera daños emergentes o incidentales, ni por gastos por incumplimiento de estas o cualesquiera otras garantías, sean expresas o implícitas.

Algunos estados (dentro de los Estados Unidos de América) no permiten la exclusión o limitación de daños emergentes o una limitación en el tiempo de validez de una garantía implícita, por lo que la exclusión o limitación anterior podría no ser aplicable para usted. Esta garantía le brinda derechos legales específicos y usted podría tener otros derechos que pueden variar de un estado a otro (dentro de los Estados Unidos de América).

Ninguna persona, firma o corporación está autorizada a ofrecer cualquier otra garantía o asumir cualquier otra obligación en nombre de AGA MARVEL. Estas garantías se aplican únicamente a productos utilizados en cualesquier de los cincuenta estados de los Estados Unidos de Norteamérica y en el Distrito de Columbia.

Para obtener el servicio amparado por esta garantía, informe de cualquier defecto a:

### **AGA MARVEL**

1260 E. VanDeinse St.  
Greenville MI 48838

Phone: 800.223.3900





[www.agamarvel.com](http://www.agamarvel.com)

**AGA MARVEL**

1260 E. VanDeinse St.  
Greenville MI 48838

800.223.3900

41014824-SP Rev B  
4/11/17

Todas las especificaciones y diseños del producto están sujetos a cambios sin aviso previo. Las revisiones del producto no le otorgan al comprador el derecho a cambios, mejoras, accesorios adicionales, reemplazos o compensaciones por los productos previamente comprados.