

MAESTRALE 10"

Installation Instructions
Use and Care Information
Instructions d'installation
Utilisez et d'entretien

MAES3010SS600-B
MAES3610SS600-B
MAES4210SS600-B

READ AND SAVE THESE INSTRUCTIONS BEFORE YOU START INSTALLING THIS RANGEHOOD

WARNING: - TO REDUCE THE RISK OF A RANGE TOP GREASE FIRE:

- a) Never leave surface units unattended at high settings. Boilovers cause smoking and greasy spillovers that may ignite. Heat oils slowly on low or medium setting.
- b) Always turn hood ON when cooking at high heat or when flambeing food (i.e. Crepes Suzette, Cherries Jubilee, Peppercorn Beef Flambé).
- c) Clean ventilating fans frequently. Grease should not be allowed to accumulate on fan or filter.
- d) Use proper pan size. Always use cookware appropriate for the size of the surface element.

WARNING: - TO REDUCE THE RISK OF INJURY TO PERSONS IN THE EVENT OF A RANGE TOP GREASE FIRE, OBSERVE THE FOLLOWING*:

- a) **SMOTHER FLAMES** with a close-fitting lid, cookie sheet, or metal tray, then turn off the burner. **BE CAREFUL TO PREVENT BURNS.** If the flames do not go out immediately **EVACUATE AND CALL THE FIRE DEPARTMENT.**
- b) **NEVER PICK UP A FLAMING PAN** - You may be burned.
- c) **DO NOT USE WATER**, including wet dishcloths or towels - a violent steam explosion will result.
- d) Use an extinguisher **ONLY** if:
 - 1. You know you have a Class ABC extinguisher, and you already know how to operate it.
 - 2. The fire is small and contained in the area where it started.
 - 3. The fire department is being called.
 - 4. You can fight the fire with your back to an exit.

* Based on "Kitchen Firesafety Tips" published by NFPA

WARNING - TO REDUCE THE RISK OF FIRE OR ELECTRIC SHOCK, do not use this fan with any solid-state speed control device.

WARNING - TO REDUCE THE RISK OF FIRE, ELECTRICAL SHOCK, OR INJURY TO PERSONS, OBSERVE THE FOLLOWING:

- 1. Use this unit only in the manner intended by the manufacturer. If you have any questions, contact the manufacturer.
- 2. Before servicing or cleaning unit, switch power off at service panel and lock the service disconnecting means to prevent power from being switched on accidentally. When the service disconnecting means cannot be locked, securely fasten a prominent warning device, such as a tag, to the service panel.

CAUTION: For General Ventilating Use Only. Do Not Use To Exhaust Hazardous or Explosive Materials and Vapors.

WARNING - TO REDUCE THE RISK OF FIRE, ELECTRICAL SHOCK, OR INJURY TO PERSONS, OBSERVE THE FOLLOWING:

- 1. Installation Work And Electrical Wiring Must Be Done By Qualified Person(s) In Accordance With All Applicable Codes And Standards, Including Fire-Rated Construction.
- 2. Sufficient air is needed for proper combustion and exhausting of gases through the flue (chimney) of fuel burning equipment to prevent backdrafting. Follow the heating equipment manufacturer's guideline and safety standards such as those published by the National Fire Protection Association (NFPA), and the American Society for Heating, Refrigeration and Air Conditioning Engineers (ASHRAE), and the local code authorities.

3. **When cutting or drilling into wall or ceiling, do not damage electrical wiring and other hidden utilities.**
4. **Ducted fans must always be vented to the outdoors.**

ALL WALL AND FLOOR OPENINGS WHERE THE RANGEHOOD IS INSTALLED MUST BE SEALED.

This rangehood requires at least 24" of clearance between the bottom of the rangehood and the cooking surface or countertop. This hood has been approved by UL at this distance from the cooktop. Overhead cabinets on both sides of this unit must be a minimum of 18" above the cooking surface or countertop. Consult the cooktop or range installation instructions given by the manufacturer before making any cutouts. **MOBILE HOME INSTALLATION** The installation of this rangehood must conform to the Manufactured Home Construction and Safety Standards, Title 24 CFR, Part 3280 (formerly Federal Standard for Mobile Home Construction and Safety, Title 24, HUD, Part 280). See Electrical Requirements.

VENTING REQUIREMENTS

Determine which venting method is best for your application. Ductwork can extend either through the wall or the roof.

The length of the ductwork and the number of elbows should be kept to a minimum to provide efficient performance. The size of the ductwork should be uniform. Do not install two elbows together. Use duct tape to seal all joints in the ductwork system. Use caulking to seal exterior wall or floor opening around the cap.

Flexible ductwork is not recommended. Flexible ductwork creates back pressure and air turbulence that greatly reduces performance.

Make sure there is proper clearance within the wall or floor for exhaust duct before making cutouts. Do not cut a joist or stud unless absolutely necessary. If a joist or stud must be cut, then a supporting frame must be constructed.

WARNING - To Reduce The Risk Of Fire, Use Only Metal Ductwork.

CAUTION - To reduce risk of fire and to properly exhaust air, be sure to duct air outside – Do not vent exhaust air into spaces within walls or ceilings or into attics, crawl spaces, or garages.

Cold Weather installations

An additional back draft damper should be installed to minimize backward cold air flow and a nonmetallic thermal break should be installed to minimize conduction of outside temperatures as part of the vent system. The damper should be on the cold air side of the thermal break. The break should be as close as possible to where the vent system enters the heated portion of the house.



WARNING

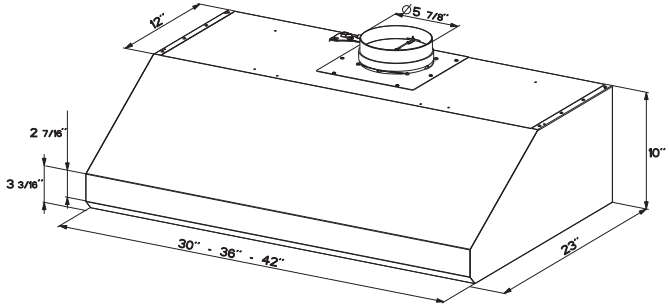
- Venting system **MUST** terminate outside the home.
- **DO NOT** terminate the ductwork in an attic or other enclosed space.
- **DO NOT** use 4" laundry-type wall caps.
- Flexible-type ductwork is not recommended.
- **DO NOT** obstruct the flow of combustion and ventilation air.
- Failure to follow venting requirements may result in a fire.



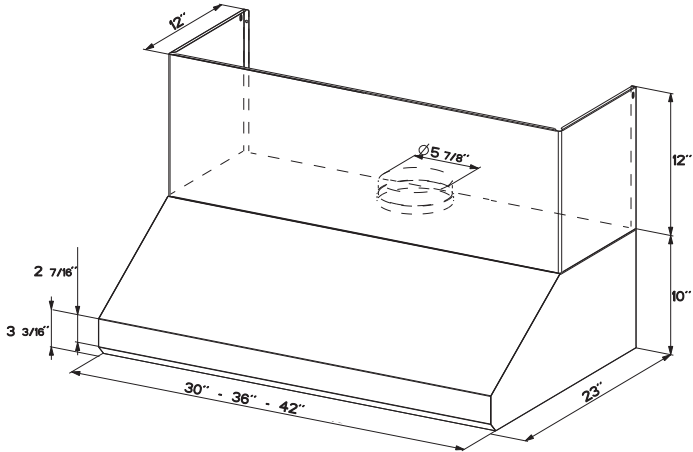
WARNING

- Electrical ground is required on this rangehood.
- If cold water pipe is interrupted by plastic, nonmetallic gaskets or other materials, DO NOT use for grounding.
- DO NOT ground to a gas pipe.
- DO NOT have a fuse in the neutral or grounding circuit. A fuse in the neutral or grounding circuit could result in electrical shock.
- Check with a qualified electrician if you are in doubt as to whether the rangehood is properly grounded.
- Failure to follow electrical requirements may result in a fire.

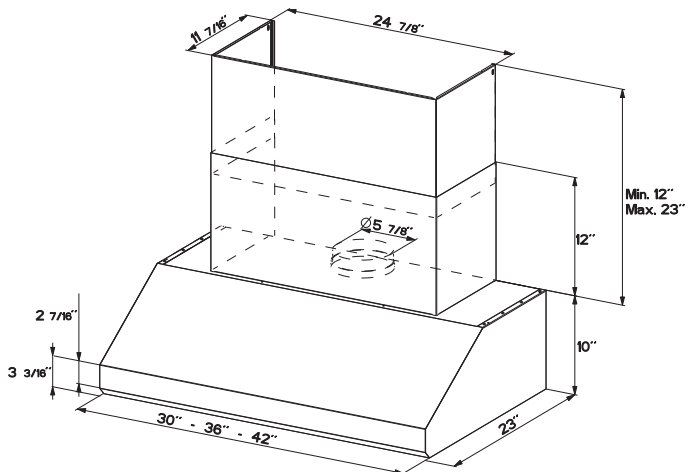
RANGEHOOD DIMENSIONS



RANGEHOOD DIMENSIONS WITH OPTIONAL FULL CHIMNEY



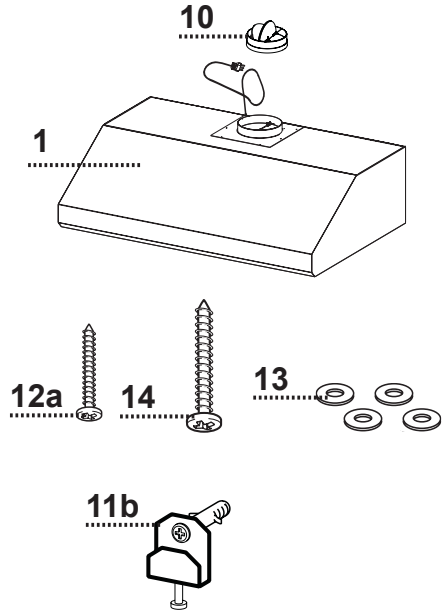
RANGEHOOD DIMENSIONS WITH OPTIONAL TELESCOPIC CHIMNEY



MAIN PARTS

Components

Ref.	Qty.	Product Components
1	1	Hood Body, complete with: Controls, Light, Filters, Blower.
10	1	Damper \varnothing 5 7/8"
Ref.	Qty.	Installation Components
11b	2	Wall Plug
12a	4	Screw 3/16" x 1 3/4"
13	4	Washers
14	6	Screws 3/16" x 1 15/16"
Qty.	Documentation	
1	Instruction Manual	



Parts needed

- 6" Round Metal ductwork .

Available Accessories

Direct Connect Wiring Box sku # number: WIREBOX

30" Full Width Chimney Duct Cover - sku#FULL30

36" Full Width Chimney Duct Cover - sku#FULL36

42" Full Width Chimney Duct Cover - sku#FULL42

Telescopic Chimney Duct Cover - TELEMAES

CFM Reducer Accessory Kit - CFMRED

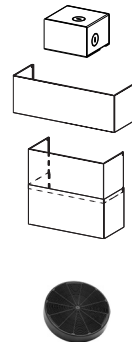
6" Make-Up Air Damper - MUDAMPER6

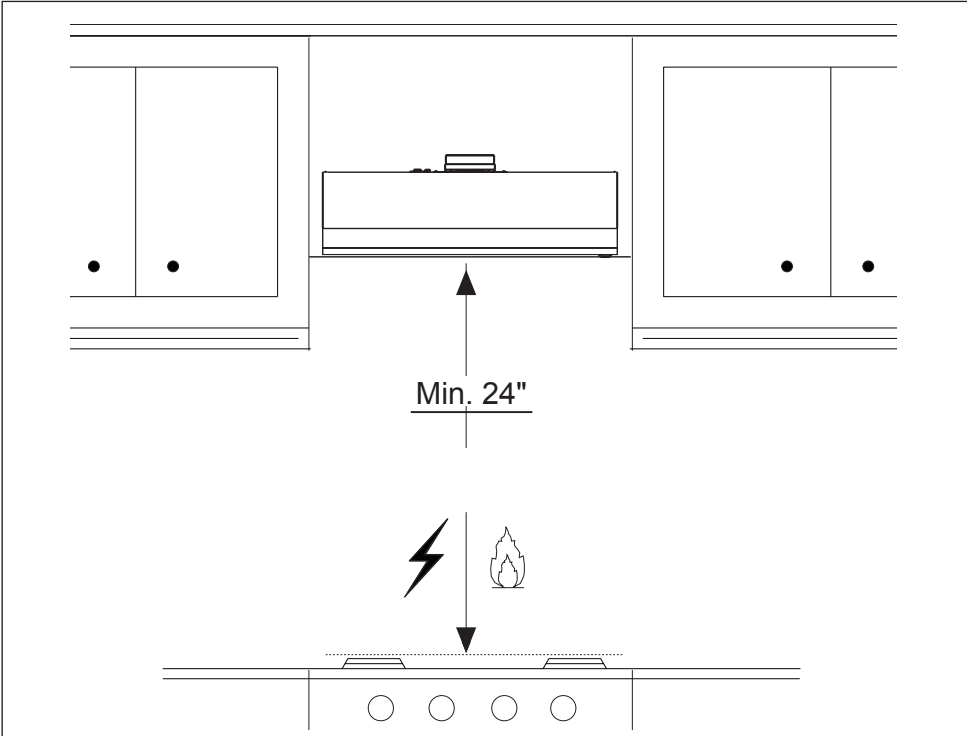
8" Make-Up Air Damper - MUDAMPER8

Activated Charcoal Filter sku #; FILTER1

30" Recirculation Kit - DUCTGRT30"

36" Recirculation Kit - DUCTGRT36"





Install Damper that is included with the Hood before connecting to the ductwork.

10

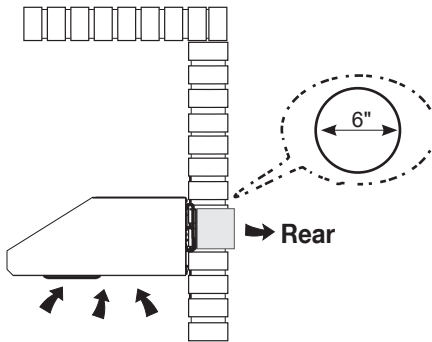
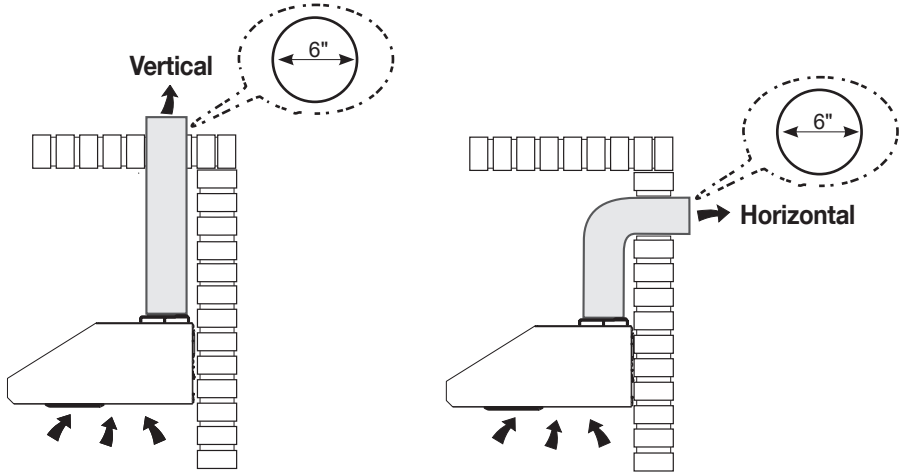
Baffle Filter Removal

Use 2 hands to remove filters. Turn the knob to the left (counterclockwise) to release filter. Repeat with other filter. Reinstall the filter by placing the back edge in the channel at rear of hood. Push filter into place, turn the knob to the right (clockwise) to attach to range hood. Repeat with other filter.

Removal

Ducting Methods

Ducted Venting Options Installation



Rear Ducted Installation



The Electrical Connector must be removed first before converting the hood to Rear Ducting mode.

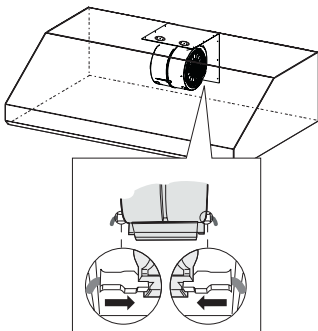
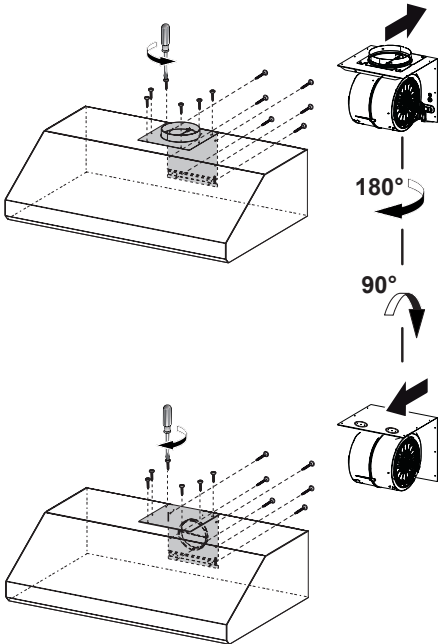
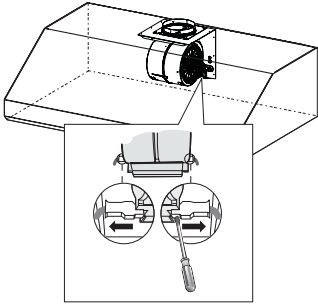
Disconnect the Electrical Connector by depressing the tabs with your hand and also using light force on one tab with a flat head screwdriver.

For a horizontal ducting installation the motor needs to be unsecured by first removing the 12 screws as shown.

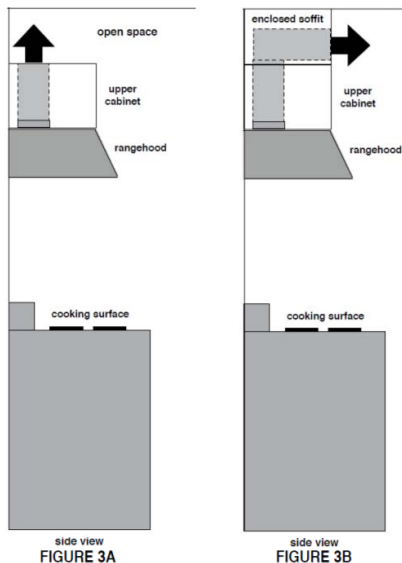
Once the screws are removed, extract the blower from the body of the Hood and position it so the transition opening is facing to the rear wall (from the back remove and rotate 180 degrees to the left, and then flip it back 90 degrees as shown in the diagram).

Once the blower is in place re-install the 12 screws to fasten the motor to the Hood body.

Reconnect the Connector to the blower.



RECIRCULATION INSTRUCTIONS



side view
FIGURE 3A

side view
FIGURE 3B

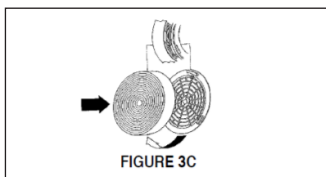


FIGURE 3C

Note: It is recommended that professional style cooking always be vented to the outside; for recirculating installations, some duct work is required to exhaust the unit out of the cabinet.

RECIRCULATING INSTALLATIONS

For recirculating installations, Charcoal Filters are necessary. Remove all grease filters and set aside. Attach one charcoal filter to each end of the blower. Each charcoal filter attaches to the grid on the side of the blower. Rotate the filter clockwise to install and counterclockwise to remove (FIGURE 3C). Replace all grease filters.

There are 2 ways to recirculate the Maestrale:

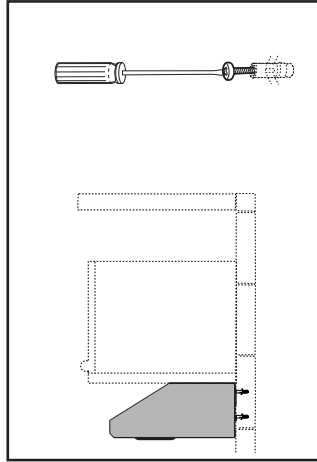
1) Use the Ductless Recirculating Kit (**sold separately**), refer to installation instructions inside the Recirculating Kit which includes charcoal filters.

DUCTGRT30" - (30")

DUCTGRT36" - (36")

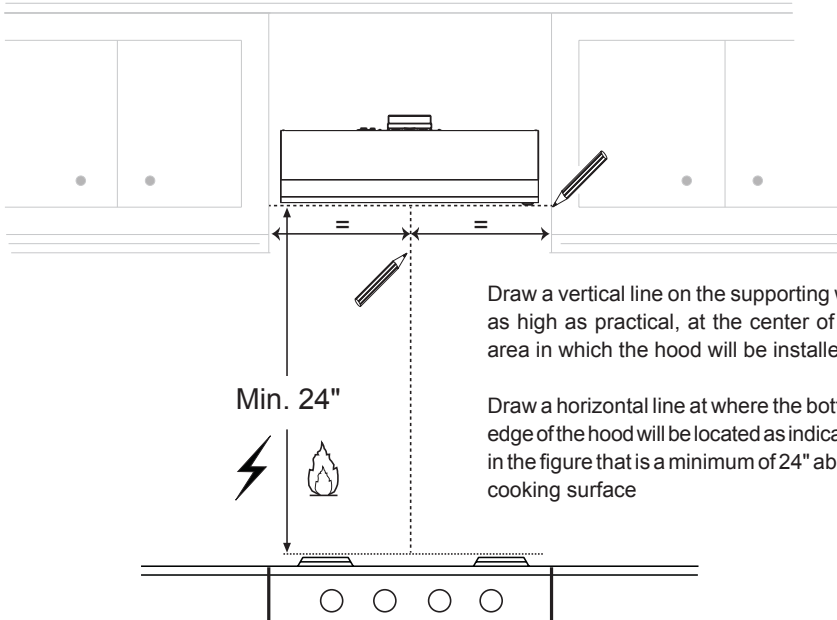
2) Some duct work must be installed to exhaust the rangehood back into the kitchen, either at the top of the cabinet (FIGURE 3A) or at the face or side of the soffit (FIGURE 3B). Install at least 15" of metal duct (fig.3A and 3B) at the air exit. Run the duct vertically and secure it at the opening cut out at the top or side of the cabinet or soffit. Installation of metal grill is recommended. This duct work must not terminate into a dead air space. FILTER1 must be purchased to complete this type of installation.

Installation for Mounting on the Wall



1

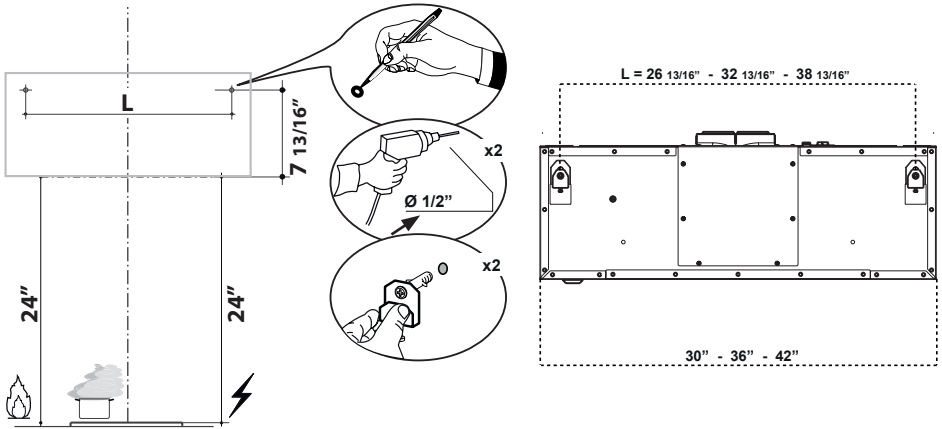
Installation Instruction for mounting on the Wall



Draw a vertical line on the supporting wall as high as practical, at the center of the area in which the hood will be installed.

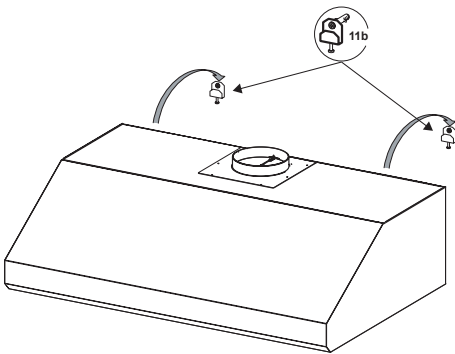
Draw a horizontal line at where the bottom edge of the hood will be located as indicated in the figure that is a minimum of 24" above cooking surface

2



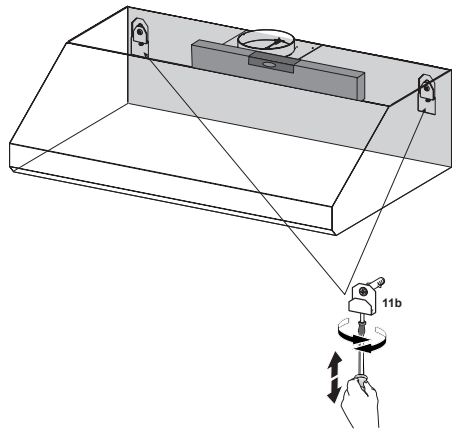
Mark the wall where indicated, $7 \frac{13}{16}$ " above the horizontal line and at L distance on the left and right of vertical line. The distance L change for all dimension of Hood.
Insert the two wall plugs in the holes as shown and fix.

3



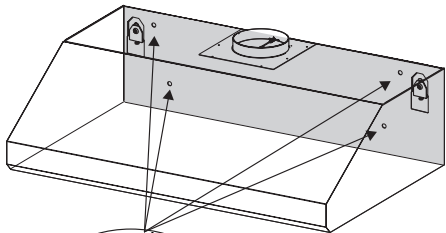
Hook the hood body onto the wall plugs.

4

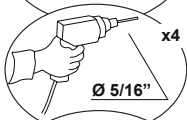


Use a level to insure that Fixing Bracket is level and then fully secure the two screws.

5



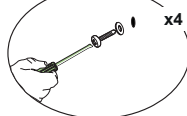
Mark the wall where indicated.



Drill directly into $\text{Ø } 5/16''$ holes at all the center points marked.



Insert the purchased wall plugs in the holes.

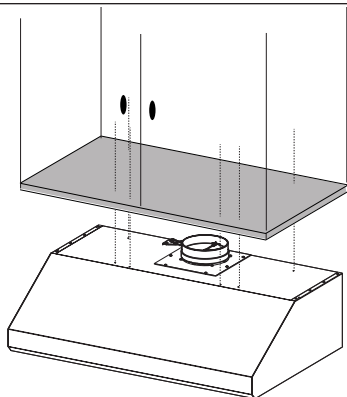


Using two remaining screws to anchor the hood in holes.

If your installation uses the optional duct cover, fit the cover flanges over the brackets. If installation uses the telescopic chimney extension, fit the extension over the brackets. Install the upper section first, then fit the lower section over the upper section. Seal extension to hood with clamps.

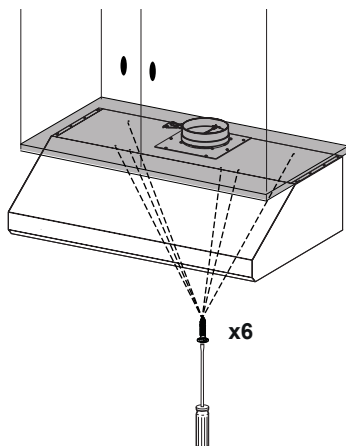
Installation Instruction for Mounting Under the Cabinet

1



Lift the hood to the cabinet.

2



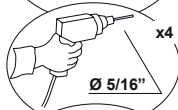
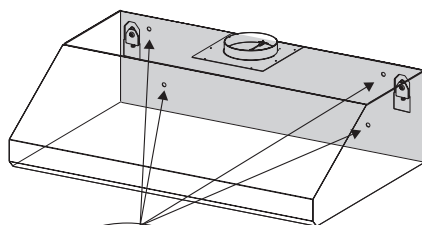
Mark the wall where indicated.

Drill directly into $\varnothing 5/16''$ holes at all the center points marked.

Insert the purchased wall plugs in the holes.

Using two remaining screws to anchor the hood in holes.

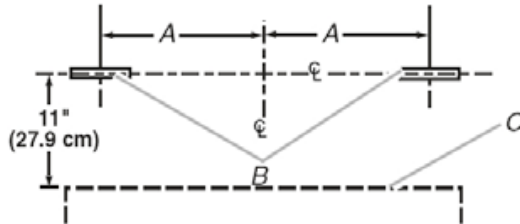
3



INSTALLATION CONTINUED

Optional Duct Cover Installation

1. Attach the full-width duct cover to the top of the range hood with the screws provided. The duct cover must be attached to the top of the range hood before mounting the range hood to the wall.



A: Distance from center of mounting bracket to centerline:

30" hood: 13 15/32"

36" hood: 16 15/32"

42" hood: 19 15/32"

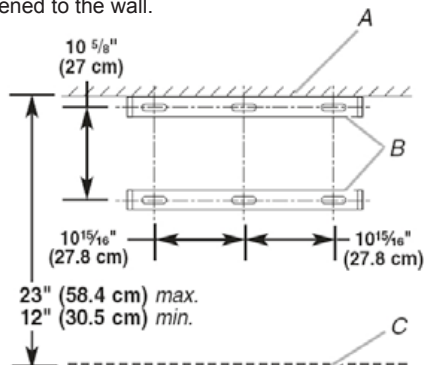
B: Mounting brackets

C: Top of hood

2. Install each bracket on the wall as shown. Make sure the screws and brackets are securely fastened to the wall. **IMPORTANT:** Install only the brackets. Do not install the hood.

Optional Telescopic Chimney Extension Installation

1. If a chimney extension is used, attach the extension brackets as shown. Make sure that the screws are securely fastened to the wall.



A: Ceiling

B: Brackets

C: Top of hood

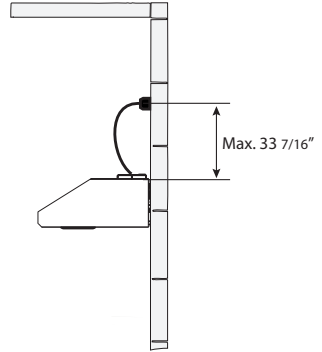
ELECTRICAL INSTALLATION WITH CONNECTION CABLE

GROUNDING INSTRUCTIONS This appliance must be grounded. In the event of an electrical short circuit, grounding reduces the risk of electric shock by providing an escape wire for the electric current. This appliance is equipped with a cord having a grounding wire with a grounding plug. The plug must be plugged into an outlet that is properly installed and grounded.

WARNING - Improper grounding can result in a risk of electric shock.

Consult a qualified electrician if the grounding instructions are not completely understood, or if doubt exists as to whether the appliance is properly grounded.

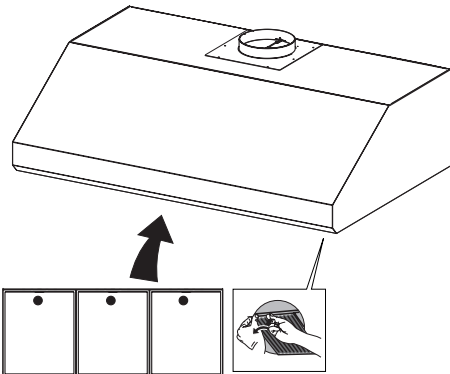
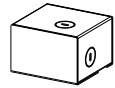
Do not use an extension cord. If the power supply cord is too short, have a qualified electrician install an outlet near the appliance.



ELECTRICAL INSTALLATION WITH OPTIONAL WIRING BOX

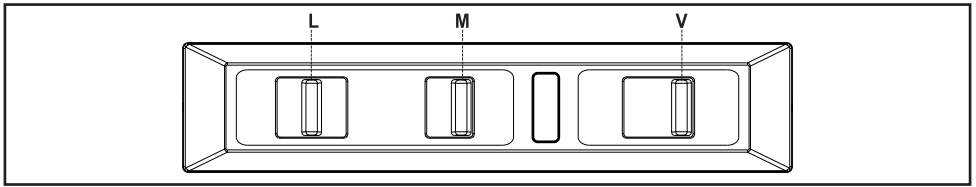
For Permanent wiring Installation-Use only with Listed rangehood Wiring Box kit sku # WIREBOX, manufactured by Faber.

Direct Connect Wiring Box
Accessory sku # WIREBOX
(purchased separately)



Replace the filters removed previously.

USE AND CARE INFORMATION

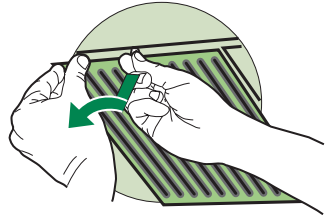


- L** Light Button: Switches the lighting system on and off.
- M** Blower Button: Switches the extractor blower on and off.
- V** Speed Buttons: 1) Low speed, used for a continuous and silent air change in the presence of light cooking vapor. 2) Medium speed, suitable for most operating conditions given the optimum treated air flow/noise level ratio. 3) Maximum speed, used for eliminating the highest cooking vapor emission, including long periods.

Cleaning baffle grease filters

The filters must be cleaned every 2 months of operation, or more frequently for particularly heavy usage, and can be washed in a dishwasher.

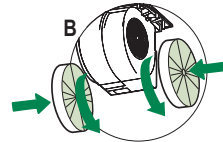
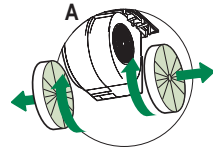
The metal grease filters should be cleaned frequently in hot detergent solution or washed in the dishwasher. Stainless steel cleaner should be used on stainless steel rangehoods. Abrasives and scouring agents can scratch stainless steel finishes and should not be used to clean finished surface. Remove all water or any other liquid from washing before re-installing filters.



Replacing activated charcoal filter

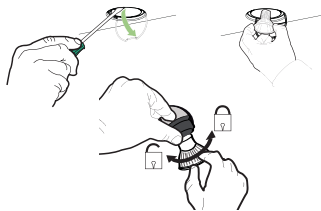
The filter is not washable and cannot be regenerated, and must be replaced approximately every 4 months of operation, or more frequently for particularly heavy usage.

- Remove the Filters one at a time, pushing them towards the back of the unit and at the same time pulling downward.
- Remove the saturated charcoal filter by releasing the fixing hooks.
- Fit the new filter and fasten it in its correct position.
- Replace, taking care to ensure that the handle faces forwards.



Lighting unit

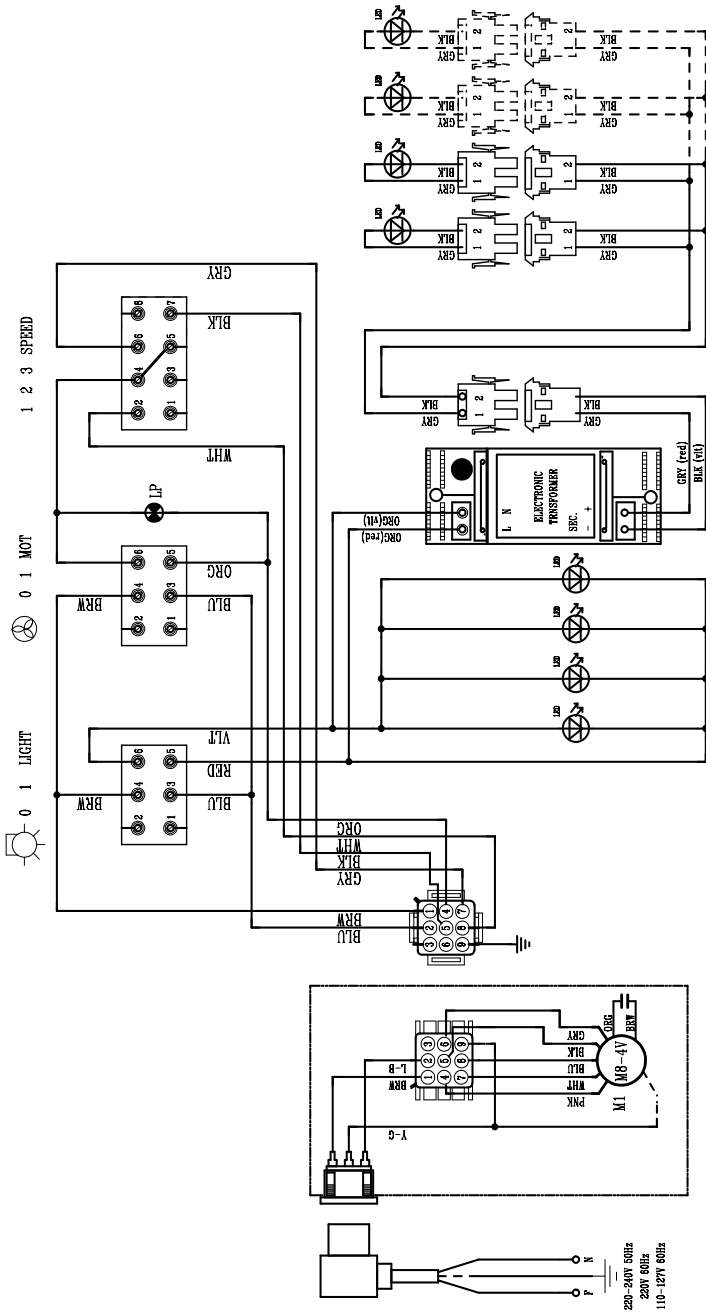
- Remove the snap-on lamp cover by levering it from under the metal ring, supporting it with one hand.
- Replace the lamp with a new one of the same type, making sure that you insert the two pins properly into the housings on the lamp holder.
- Replace the snap-on lamp cover.



Gu10 self-ballasted led lamps – listed in accordance with ul 1993/nmx-j-578/1-ance/csa c22.2 No. 1993



Wiring Diagram





FABER CONSUMER WARRANTY & SERVICE

All Faber products are warranted against any defect in materials or workmanship for the original purchaser for a period of 1 year from the date of original purchase (requires proof of purchase). This warranty covers labor and replacement parts. Faber, at its option, may repair or replace the product or components necessary to restore the product to good working condition. To obtain warranty service, contact the dealer from whom you purchased the range hood, or the local Faber distributor. If you cannot identify a local Faber distributor, contact us at (508) 358-5353 for the name of a distributor in your area.

The following is not covered by Faber's warranty:

1. Service calls to correct the installation of your range hood, to instruct you how to use your range hood, to replace or repair house fuses or to correct house wiring or plumbing.
2. Service calls to repair or replace range hood light bulbs, fuses or filters. Those consumable parts are excluded from warranty coverage.
3. Repairs when your range hood is used for other than normal, single-family household use.
4. Damage resulting from accident, alteration, misuse, abuse, fire, flood, acts of God, improper installation, installation not in accordance with electrical or plumbing codes or Faber documentation, or use of products not approved by Faber.
5. Replacement parts or repair labor costs for units operated outside the United States or Canada, including any non-UL or C-UL approved Faber range hoods.
6. Repairs to the hood resulting from unauthorized modifications made to the range hood.
7. Expenses for travel and transportation for product service in remote locations and pickup and delivery charges. Faber range hoods should be serviced in the home.

THIS WARRANTY DOES NOT ALLOW RECOVERY OF INCIDENTAL OR CONSEQUENTIAL DAMAGES, INCLUDING, WITHOUT LIMITATION, DIRECT, INDIRECT, INCIDENTAL, SPECIAL OR CONSEQUENTIAL DAMAGES, PERSONAL INJURY/WRONGFUL DEATH OR LOST PROFITS FABER WARRANTY IS LIMITED TO THE ABOVE CONDITIONS AND TO THE WARRANTY PERIOD SPECIFIED HEREIN AND IS EXCLUSIVE. EXCEPT AS EXPRESSLY SPECIFIED IN THIS AGREEMENT, FABER DISCLAIMS ALL EXPRESS OR IMPLIED CONDITIONS, REPRESENTATIONS, AND WARRANTIES INCLUDING, WITHOUT LIMITATION, ANY IMPLIED WARRANTIES OF MERCHANTABILITY OR FITNESS FOR A PARTICULAR PURPOSE.

This warranty gives you specific legal rights that may vary from state to state.

Model#: _____

Serial #: _____

January 4, 2016

VEUILLEZ LIRE ET CONSERVER LA PRÉSENTE NOTICE AVANT DE COMMENCER L'INSTALLATION DE LA HOTTE DE CUISINE

AVERTISSEMENT:-POUR RÉDUIRE LE RISQUE D'UN FEU DE GRAISSE SUR LA TABLE DE CUISSON :

- a) Ne laissez jamais sans surveillance les éléments de la surface de cuisson à température élevée. Les bouillonnements excessifs peuvent provoquer de la fumée et les débordements de graisse peuvent s'enflammer. L'huile doit être chauffée lentement, à une température basse ou moyenne.
- b) Assurez-vous de toujours mettre en marche le ventilateur de la hotte lorsque vous cuisinez à température élevée ou préparez un mets flambé (p.ex. crêpes Suzette, cerises jubilé, bœuf flambé).
- c) Nettoyez régulièrement les ventilateurs d'aspiration. Assurez-vous de ne pas laisser de la graisse s'accumuler sur le ventilateur ou le filtre.
- d) Utilisez toujours des poêles et casseroles de la taille appropriée. Utilisez toujours des ustensiles de cuisine de la taille adaptée à celle de l'élément chauffant.

AVERTISSEMENT : - POUR PRÉVENIR LES BLESSURES EN CAS DE FEU DE GRAISSE SUR LA TABLE DE CUISSON, SUIVEZ LES RECOMMANDATIONS SUIVANTES* :

- a) **ÉTOUFFEZ LES FLAMMES** à l'aide d'un couvercle hermétique, d'une plaque à biscuits ou d'un plateau métallique, puis éteignez le brûleur. **FAITES ATTENTION AUX BRÛLURES.** Si le feu ne s'éteint pas immédiatement, **QUITTEZ LES LIEUX ET APPELEZ LES POMPIERS.**
- b) **NE PRENEZ JAMAIS UNE CASSEROLE EN FLAMME** - Vous pourriez vous brûler.
- c) **N'UTILISEZ JAMAIS DE L'EAU**, ni un linge à vaisselle ou un torchon mouillé, pour éteindre le feu. Cela pourrait provoquer une violente explosion de vapeur.
- d) Utilisez un extincteur **UNIQUEMENT** si :
 1. Vous êtes certain qu'il s'agit d'un extincteur de classe ABC et que vous connaissez bien son mode d'emploi.
 2. Le feu est de faible intensité et se limite à l'endroit où il a démarré.
 3. Les pompiers ont déjà été appelés.
 4. Une voie de sortie se trouve derrière vous pendant que vous éteignez les flammes

* D'après le guide « Kitchen Firesafety Tips » publié par la NFPA aux États-Unis

AVERTISSEMENT - POUR RÉDUIRE LE RISQUE D'INCENDIE OU DE CHOC ÉLECTRIQUE, n'utilisez jamais ce ventilateur en association avec un dispositif de réglage de vitesse à semi-conducteurs.

AVERTISSEMENT - POUR RÉDUIRE LES RISQUES D'INCENDIE, DE CHOC ÉLECTRIQUE OU DE BLESSURE CORPORELLE, RESPECTEZ LES INSTRUCTIONS SUIVANTES :

1. Utilisez cet appareil uniquement de la façon prévue par le fabricant. Pour toute question, communiquez avec le fabricant.
2. Avant de procéder à l'entretien ou au nettoyage de l'appareil, coupez l'alimentation au niveau du panneau électrique et verrouillez-le pour vous assurer que l'électricité n'est pas rétablie accidentellement. S'il n'est pas possible de verrouiller le dispositif d'interruption de l'alimentation, affichez de façon ferme et bien visible un avis de danger, par exemple à l'aide d'une étiquette sur le panneau.

ATTENTION : Destiné à un usage de ventilation générale uniquement. N'utilisez pas ce dispositif pour l'aspiration de vapeurs ou de matériaux dangereux ou explosifs.

AVERTISSEMENT - POUR RÉDUIRE LES RISQUES D'INCENDIE, DE CHOC ÉLECTRIQUE OU DE BLESSURE CORPORELLE, RESPECTEZ LES INSTRUCTIONS SUIVANTES :

1. L'installation et le branchement électrique doivent être réalisés par un technicien qualifié et conformément à tous les codes et normes en vigueur, incluant ceux concernant la construction à l'épreuve du feu.
2. Afin de garantir une combustion et une évacuation adéquates des gaz par les conduites de la cheminée des appareils à combustion, une bonne aération est nécessaire pour éviter le refoulement. Respectez les lignes directrices fournies par le fabricant du matériel chauffant, ainsi que les normes de sécurité comme celles publiées par la National Fire Protection Association (NFPA) et la American Society for Heating, Refrigeration and Air Conditioning Engineers (ASHRAE) aux États-Unis, ainsi que les codes en vigueur dans votre région.

3. Lorsque vous faites une ouverture ou percez dans un mur ou le plafond, veillez à ne pas endommager les fils électriques ou d'autres dispositifs cachés.
4. Les ventilateurs canalisés doivent toujours être raccordés à l'extérieur.

TOUTE OUVERTURE DANS LE MUR OU LE PLANCHER À PROXIMITÉ DE LA HOTTE DOIT ÊTRE SCELLÉE.

Un espace libre d'au moins 24 " est requis entre le bas de la hotte et la surface de cuisson ou le comptoir. Cette hotte a été homologuée par l'UL à cette distance de la surface de cuisson. Les armoires suspendues de chaque côté de l'appareil doivent se trouver à au moins 24 " de la surface de cuisson ou du comptoir. Consultez la notice d'installation de la surface de cuisson ou de la hotte fournie par le fabricant avant de pratiquer des ouvertures. **INSTALLATION DANS UNE MAISON MOBILE** L'installation de cette hotte doit être conforme à la Partie 3280 de la norme Manufactured Home Construction and Safety Standards, Title 24 CFR (précédemment la partie 280 de la norme Federal Standard for Mobile Home Construction and Safety, Title 24, HUD). Consultez la fiche technique électrique.

CRITÈRES DE VENTILATION

Déterminez quelle méthode de ventilation est mieux adaptée à votre application. Les conduits peuvent passer par le mur ou le toit.

Pour garantir une meilleure efficacité, la longueur des conduits et le nombre de coudes doivent être le plus limités que possible. Le diamètre des conduits devrait être uniforme. N'installez pas deux coudes ensemble. Utilisez un ruban pour canalisations afin de sceller tous les joints du système de conduits. Utilisez un cafeu-trage pour sceller les ouvertures dans le mur extérieur ou le plancher, autour du clapet.

Il n'est pas recommandé d'utiliser des conduits flexibles. Les conduits flexibles provoquent une contre-pression et de la turbulence qui diminuent grandement l'efficacité de l'appareil.

Assurez-vous que l'espace libre dans le mur ou le plancher est suffisant pour le conduit d'évacuation avant de pratiquer les ouvertures. Ne coupez jamais une poutre ou un chevron, sauf si c'est absolument nécessaire. S'il s'avère nécessaire de couper une poutre ou un chevron, la construction d'un renforcement est requise.

AVERTISSEMENT - Pour réduire le risque d'incendie, utilisez uniquement des conduits métalliques. ATTENTION - Pour réduire le risque d'incendie et pour évacuer adéquatement l'air, assurez-vous de raccorder les conduits à l'extérieur – Ne diffusez pas l'air d'évacuation dans des espaces à l'intérieur des murs ou du plafond, ou encore à l'intérieur d'un grenier, d'une galerie technique ou d'un garage.

Installation dans les climats froids

Le système de ventilation doit prévoir un registre antirefoulement supplémentaire pour réduire le flux d'air froid inverse, ainsi qu'une barrière thermique non métallique pour réduire la conduction des températures extérieures. Le registre doit être installé du côté air froid par rapport à la barrière thermique. La barrière thermique doit être positionnée le plus près que possible de l'endroit où le système de ventilation pénètre dans la partie chauffée de la maison.



AVERTISSEMENT

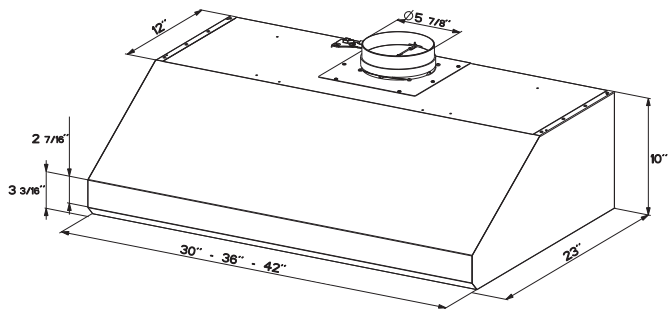
- Le système de ventilation DOIT déboucher à l'extérieur.
- **NE FAITES PAS** déboucher les conduits dans un grenier ou un autre endroit fermé.
- **N'UTILISEZ PAS** un clapet de sècheuse mural de 4 po.
- Il n'est pas recommandé d'utiliser des conduits flexibles.
- **N'ENTRAVEZ PAS** le flux de l'air de combustion et de ventilation.
- Le non-respect des exigences en matière de ventilation pourrait entraîner un incendie.



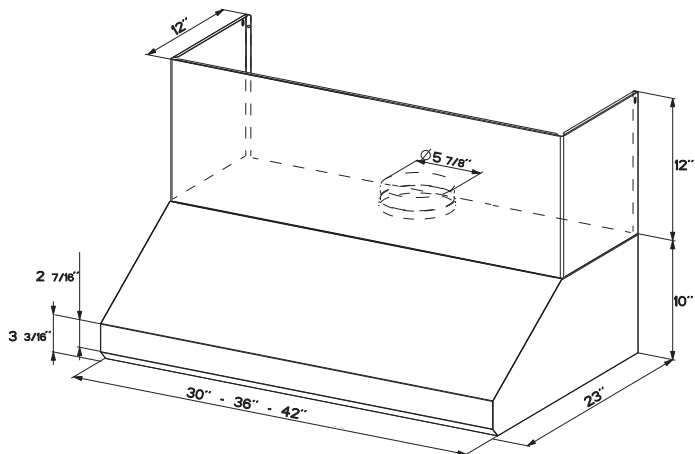
AVERTISSEMENT

- Une mise à la terre électrique est requise pour cette hotte.
- N'UTILISEZ PAS un tuyau d'eau froide pour la mise à la terre si celui-ci est branché par des joints en plastique, par des rondelles non métalliques ou d'autres matériaux.
- N'UTILISEZ PAS une conduite de gaz pour la mise à la terre.
- N'INSTALLEZ PAS un fusible sur le circuit neutre ou le circuit de mise à la terre. La présence d'un fusible dans le circuit neutre ou de mise à la terre peut entraîner un choc électrique.
- Consultez un électricien qualifié si vous n'êtes pas certain de la mise à la terre de la hotte.
- Le non-respect des exigences de la fiche technique électrique pourrait entraîner un incendie.

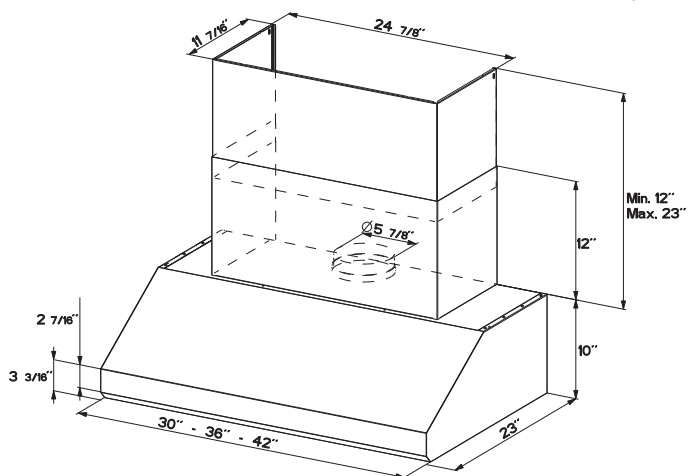
DIMENSIONS DE LA HOTTE



DIMENSIONS DE LA HOTTE AVEC CHEMINÉE COMPLÈTE EN OPTION



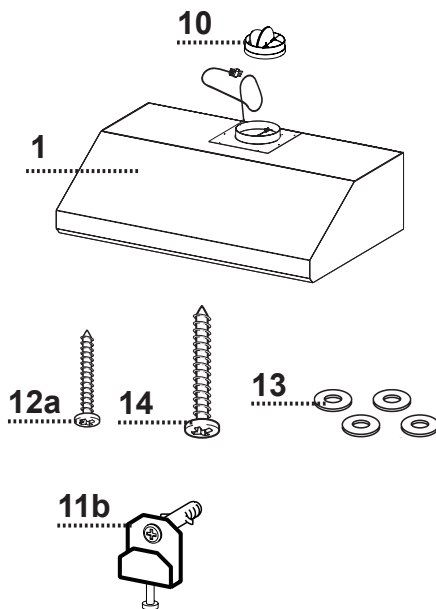
DIMENSIONS DE LA HOTTE AVEC CHEMINÉE TÉLESCOPIQUE EN OPTION



PIÈCES PRINCIPALES

Composants

Réf.	Qté	Composants du produit
1	1	Bâti de la hotte, avec: Com- mandes, éclairages, filtres, ventilateur.
10	1	Registre \varnothing 5 7/8"
Réf.	Qté	Composants d'installation
11b	2	Chevilles
12a	4	Vis 3/16" x 1 3/4"
13	4	Rondelles
14	6	Vis 3/16" x 1 15/16"
Qté	Documentation	
1	Mode d'emploi	

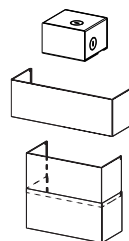


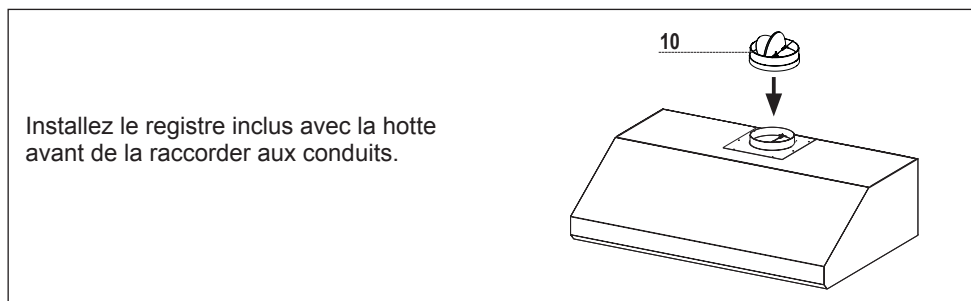
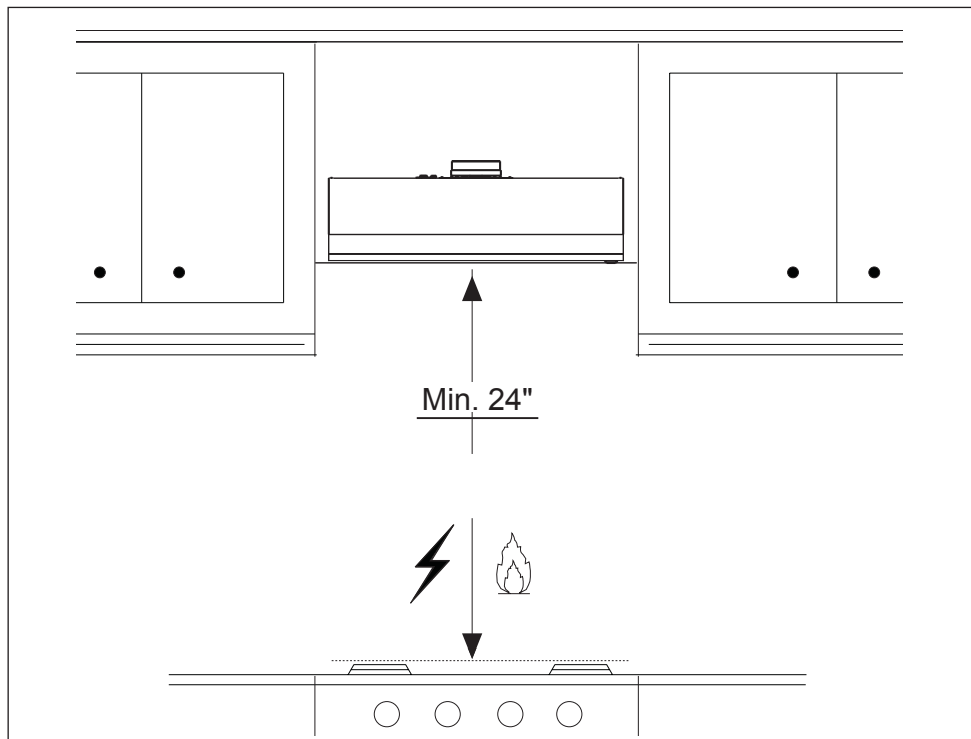
Pièces requises

- Conduit métallique 6" circulaire.

Accessoires disponibles

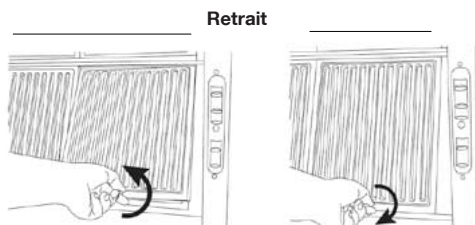
- Boîtier de connexion directe, no d'article : WIREBOX
- Recouvrement de canalisation de cheminée 30" pleine largeur -
No d'article FULL30
- Recouvrement de canalisation de cheminée 36" pleine largeur -
No d'article FULL36
- Recouvrement de canalisation de cheminée 42" pleine largeur -
No d'article FULL42
- Recouvrement de canalisation de cheminée télescopique -
TELEMAES
- Réducteur de débit accessoire - CFMRED
- Dispositif d'apport d'air 6" - MUDAMPER6
- Dispositif d'apport d'air 8" - MUDAMPER8
- Filtre à charbon actif - No d'article FILTER1
- 30" Recirculation Kit - DUCTGRT30"
- 36" Recirculation Kit - DUCTGRT36"





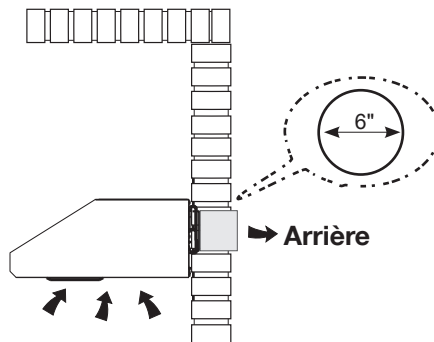
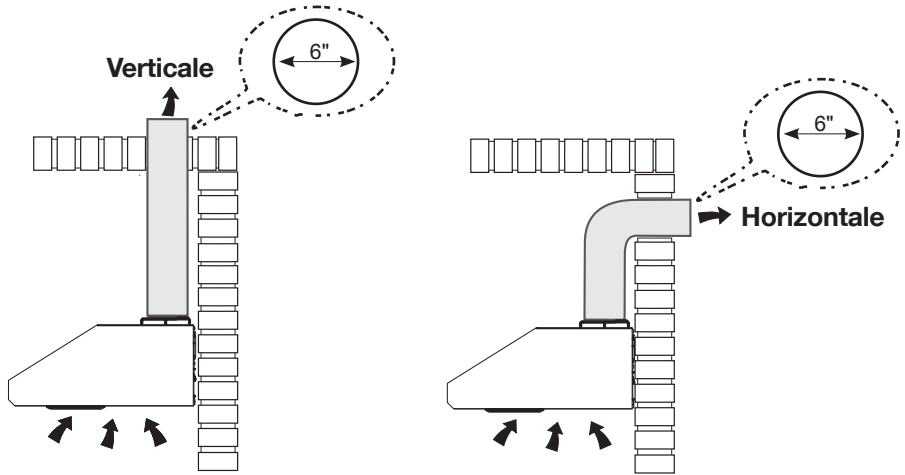
Retrait du filtre à chicane

Utilisez les 2 mains pour retirer les filtres. Tournez le bouton vers la gauche (sens contraire des aiguilles d'une montre) pour dégager le filtre. Répétez l'opération avec l'autre filtre. Réinstallez le filtre en plaçant son rebord arrière dans la rainure à l'arrière de la hotte. Poussez le filtre en place, tournez le bouton vers la droite (sens des aiguilles d'une montre) pour fixer la hotte. Répétez l'opération avec l'autre filtre.

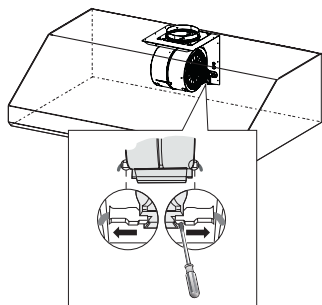


Méthodes de canalisation

Options d'installation avec ventilation canalisée

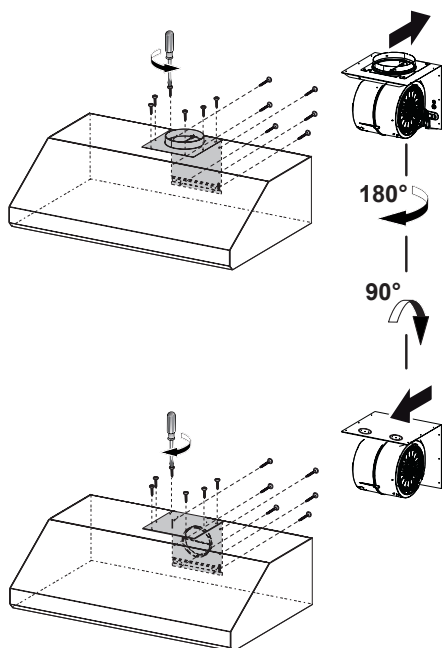


Installation avec canalisation vers l'arrière



Le connecteur électrique doit être enlevé avant la conversion de la hotte pour permettre la canalisation vers l'arrière.

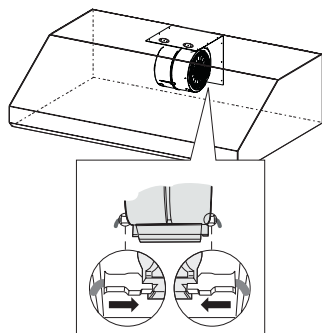
Débranchez le connecteur électrique en appuyant sur les pattes à l'aide de la main et en exerçant une légère force sur une des pattes à l'aide d'un tournevis à lame plate.



Pour l'installation d'une canalisation horizontale, le moteur doit d'abord être détaché. Pour ce faire, retirez les 12 vis comme illustré.

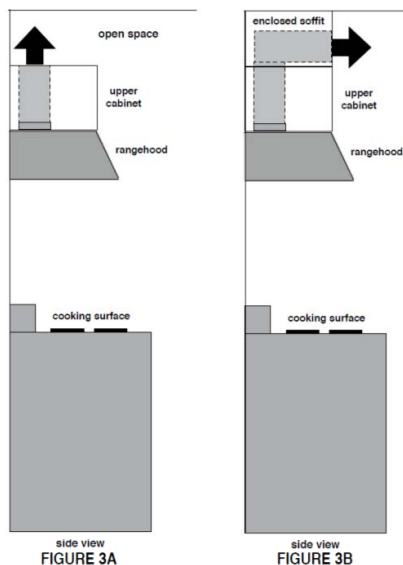
Lorsque les vis sont enlevées, dégagez le ventilateur du bâti de la hotte et placez-le de façon à ce que l'ouverture de passage de l'air se trouve face au mur arrière (dégagez-le de l'arrière et faites-le tourner de 180 degrés vers la gauche, puis inclinez-le de 90 degrés vers l'arrière, comme illustré dans le diagramme).

Lorsque le ventilateur est en place, remettez en place les 12 vis pour fixer le moteur au bâti de la hotte.

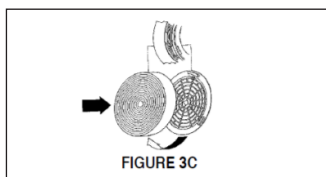


Rebranchez le connecteur au ventilateur.

INSTRUCTIONS POUR RECIRCULATION



Remarque : La ventilation associée à une cuisine de type professionnel doit toujours être évacuée à l'extérieur; les installations avec recirculation nécessitent l'installation de canalisations pour évacuer l'air de l'appareil à l'extérieur de l'armoire.



INSTALLATIONS AVEC RECIRCULATION

Pour les installations avec recirculation, il est nécessaire d'installer des filtres à charbon. Retirez tous les filtres à graisse et mettez-les à part. Posez un filtre à charbon à chaque extrémité du ventilateur. Chaque filtre à charbon se fixe à une grille sur le côté du ventilateur. Faites tourner le filtre dans le sens des aiguilles d'une montre pour l'installer et dans le sens contraire des aiguilles d'une montre pour l'enlever (FIGURE 3C). Remettez tous les filtres à graisse en place.

La recirculation du Maestrale peut se faire de 2 façons :

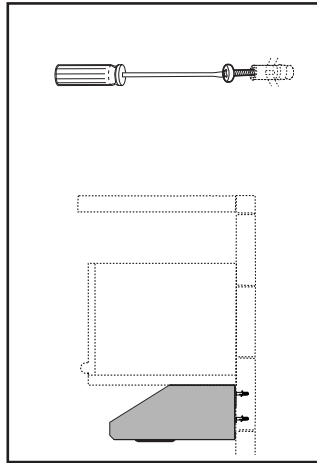
1) Utilisez la trousse de recirculation sans conduit (**vendue séparément**), reportez-vous aux instructions d'installation à l'intérieur de la trousse de recirculation; celle-ci comprend les filtres à charbon.

DUCTGRT30" - (30")

DUCTGRT36" - (36")

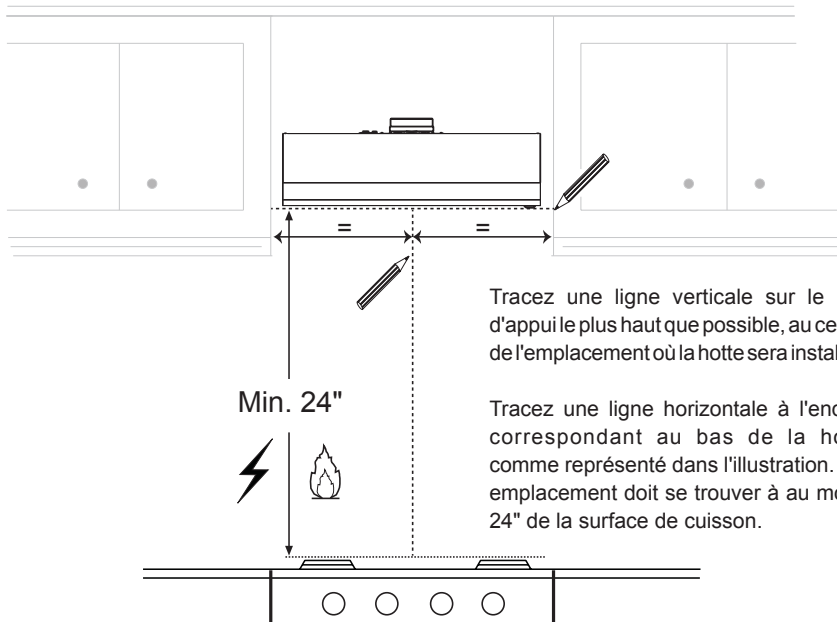
2) Une canalisation doit être installée pour évacuer la hotte dans la cuisine, soit au sommet des armoires (FIGURE 3A) ou sur la face ou le côté du parement (FIGURE 3B). Installez un conduit métallique d'au moins 15" (fig. 3A et 3B) à la sortie d'air. Faites passer le conduit verticalement et fixez-le à l'ouverture pratiquée au sommet ou sur le côté de l'armoire ou du parement. L'installation d'une grille métallique est recommandée. Cette canalisation ne doit pas se terminer dans un espace sans circulation d'air. Un FILTER1 doit être acheté pour compléter ce type d'installation.

Installation pour montage mural

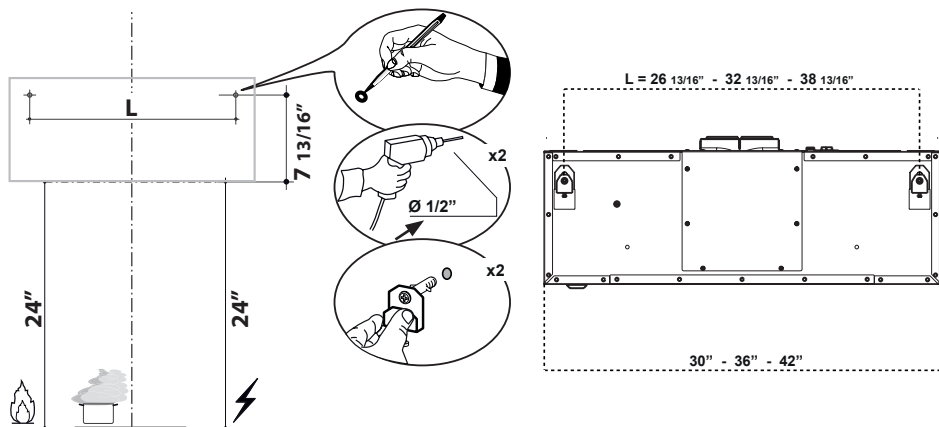


1

Instructions pour l'installation murale

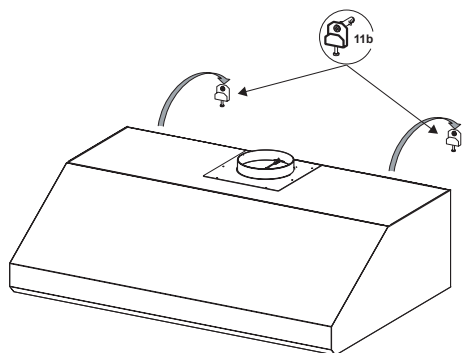


2



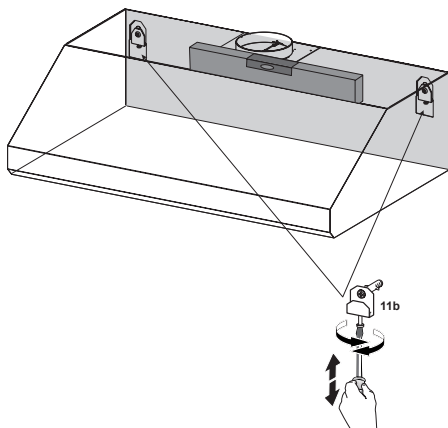
Tracez un repère sur le mur à l'endroit indiqué, $7 \frac{13}{16}''$ au-dessus de la ligne horizontale et à la distance L à droite et à gauche de la ligne verticale. La distance L varie en fonction de la dimension de la hotte. Insérez les deux chevilles dans les orifices, comme illustré, et fixez-les.

3



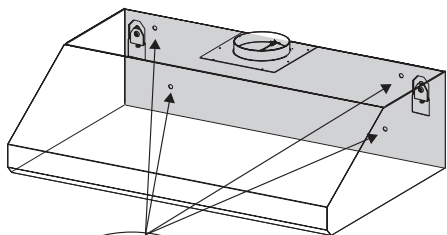
Engagez le bâti de la hotte sur les chevilles.

4

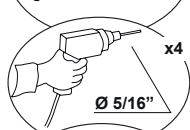


Utilisez un niveau pour vous assurer que la bride de fixation est à niveau, puis vissez à fond les deux vis.

5



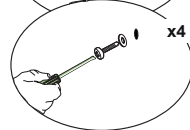
Tracez un repère sur le mur à l'endroit indiqué.



Percez des trous de $\varnothing 5/16''$ directement au centre des repères.



Insérez les chevilles achetées dans les trous.

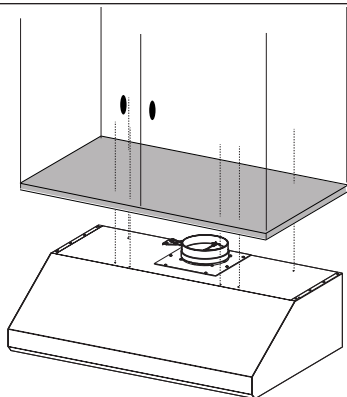


Utilisez les deux vis restantes dans les trous pour ancrer la hotte.

Si votre installation prévoit le recouvrement de canalisation en option, placez les flasques du revêtement sur les brides. Si l'installation prévoit le prolongement de cheminée télescopique, placez les prolongements sur les brides. Installez d'abord la section supérieure, puis placez la section inférieure sur la section supérieure. Scellez le prolongement sur la hotte à l'aide de colliers.

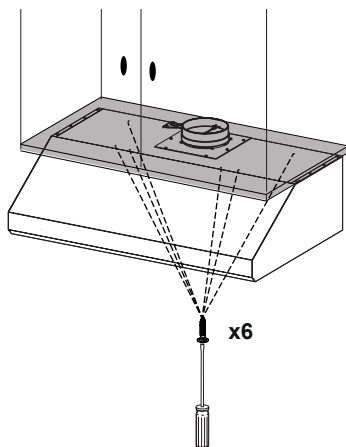
Instructions pour l'installation sous une armoire

1



Soulevez la hotte jusqu'à l'armoire.

2



Fixez le bâti de la hotte par le dessous à l'aide des 4 vis.

Tracez un repère sur le mur à

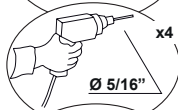
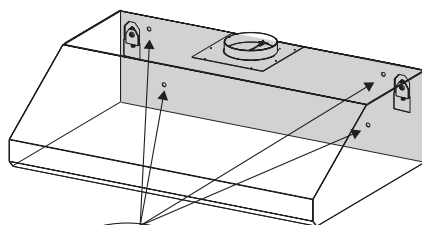
l'endroit indiqué.

Percez des trous de $\varnothing 5/16''$ directement au centre de tous les repères.

Insérez les chevilles achetées dans les trous.

Insérez les deux vis restantes dans les trous inférieurs pour ancrer la hotte au mur.

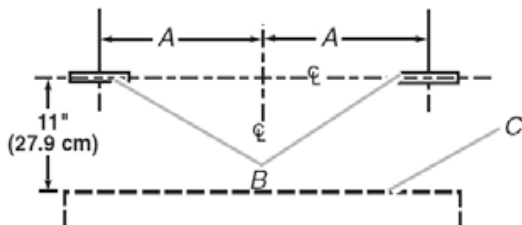
3



INSTALLATION (SUITE)

Installation du recouvrement de canalisation en option

1. Fixez le recouvrement de canalisation pleine largeur sur le dessus de la hotte à l'aide des vis fournies. Le recouvrement de canalisation doit être fixé sur le dessus de la hotte avant le montage de la hotte au mur.



A : Distance entre le centre de la bride de montage et la ligne centrale :

Hotte 30" : 13 15/32"

Hotte 36" : 16 15/32"

Hotte 42" : 19 15/32"

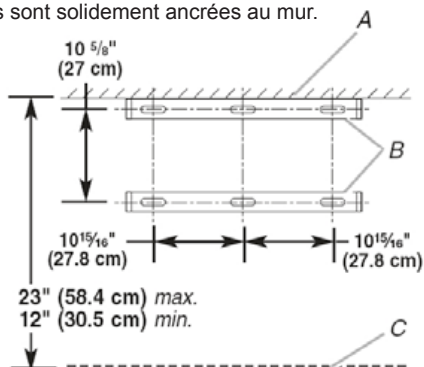
B : Brides de montage

C : Haut de la hotte

2. Installez chaque bride sur le mur comme illustré. Assurez-vous que les vis et brides sont solidement ancrées au mur. **IMPORTANT** : Installez les brides uniquement. N'installez pas la hotte.

Installation du prolongement de cheminée télescopique en option

1. Si vous utilisez un prolongement de cheminée, fixez les brides du prolongement comme illustré. Assurez-vous que les vis sont solidement ancrées au mur.



A : Plafond

B : Brides

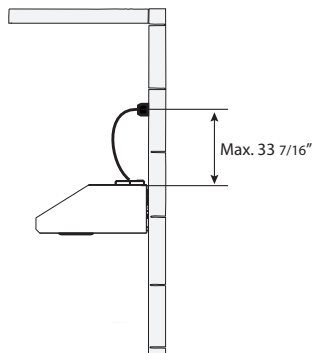
C : Haut de la hotte

INSTALLATION ÉLECTRIQUE AVEC CÂBLE DE CONNEXION

INSTRUCTIONS DE MISE À LA TERRE Cet appareil doit être mis à la terre. La mise à la terre réduit le risque de choc électrique en cas de court-circuit, car elle fournit un fil d'évacuation au courant électrique. Cet appareil est muni d'un cordon présentant un fil de mise à la terre, avec une fiche de mise à la terre. La fiche doit être insérée dans une prise correctement installée et mise à la terre.

AVERTISSEMENT - Une mise à la terre inadéquate peut entraîner un choc électrique.

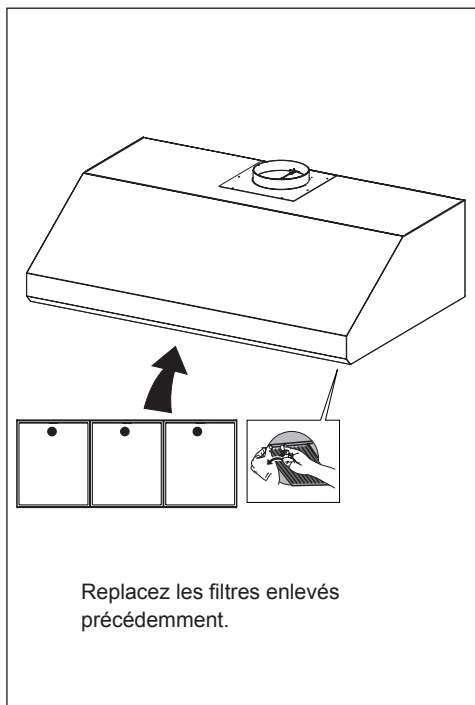
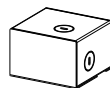
Consultez un électricien qualifié si vous ne comprenez pas parfaitement les instructions de mise à la terre ou si vous avez des doutes quant à la mise à la terre de l'appareil. N'utilisez pas de rallonge. Si le cordon d'alimentation est trop court, demandez à un électricien qualifié d'installer une prise à proximité de l'appareil.



INSTALLATION ÉLECTRIQUE AVEC BOÎTIER DE CONNEXION EN OPTION

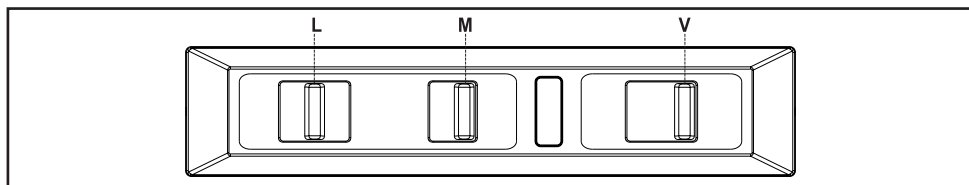
Pour une installation avec connexion fixe, utilisez uniquement la trousse de boîtier de connexion pour hotte indiquée, no d'article WIREBOX, fabriquée par Faber.

Boîtier de connexion directe,
no d'article WIREBOX
(acheté séparément)



Remplacez les filtres enlevés
précédemment.

INFORMATIONS POUR L'UTILISATION ET L'ENTRETIEN

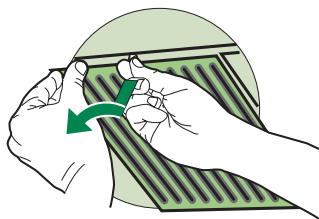


- L** Bouton pour l'éclairage : Permet d'allumer et éteindre le système d'éclairage.
- M** Bouton pour le ventilateur : Permet d'allumer et éteindre le ventilateur d'aspiration.
- V** Boutons de réglage de vitesse : 1) Vitesse réduite, utilisée pour un échange d'air continu et silencieux en présence de vapeurs de cuisson limitées. 2) Vitesse moyenne, adaptée à la plupart des conditions d'utilisation compte tenu du rapport optimal entre le flux d'air traité et le niveau de bruit. 3) Vitesse maximale, utilisée pour éliminer les émissions maximales de vapeurs de cuisson, notamment pour les périodes prolongées.

Nettoyage des filtres à graisse à chicane

Les filtres doivent être nettoyés tous les 2 mois d'utilisation, ou plus fréquemment en cas d'utilisation particulièrement intensive. Ils peuvent être lavés dans le lave-vaisselle.

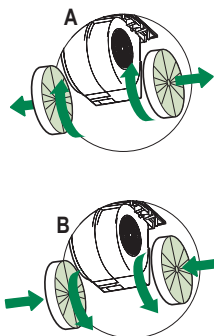
Les filtres à graisse métalliques doivent être lavés fréquemment dans une solution d'eau chaude savonneuse ou dans le lave-vaisselle. Il est conseillé d'utiliser un agent nettoyant pour l'acier inoxydable sur les hottes en acier inoxydable. Les produits abrasifs ou solvants peuvent endommager la surface de l'acier inoxydable et ne devraient pas être utilisés pour le nettoyage de la surface. Retirez toute l'eau ou tout autre liquide du lavage avant de réinstaller les filtres.



Remplacement du filtre à charbon actif

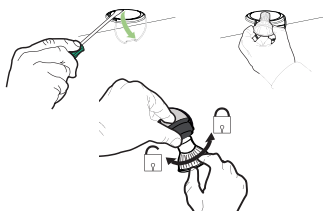
Le filtre n'est pas lavable et ne peut pas être régénéré. Il doit être remplacé environ tous les 4 mois d'utilisation, ou plus souvent en cas d'utilisation particulièrement intensive.

- Retirez les filtres un à un, en les poussant vers l'arrière de l'appareil et en les tirant vers le bas simultanément.
- Retirez le filtre à charbon saturé en détachant les crochets de fixation.
- Posez le nouveau filtre et fixez-le à l'emplacement adéquat.
- Remettez-le en place, en vous assurant que la poignée se trouve vers l'avant.



Système d'éclairage

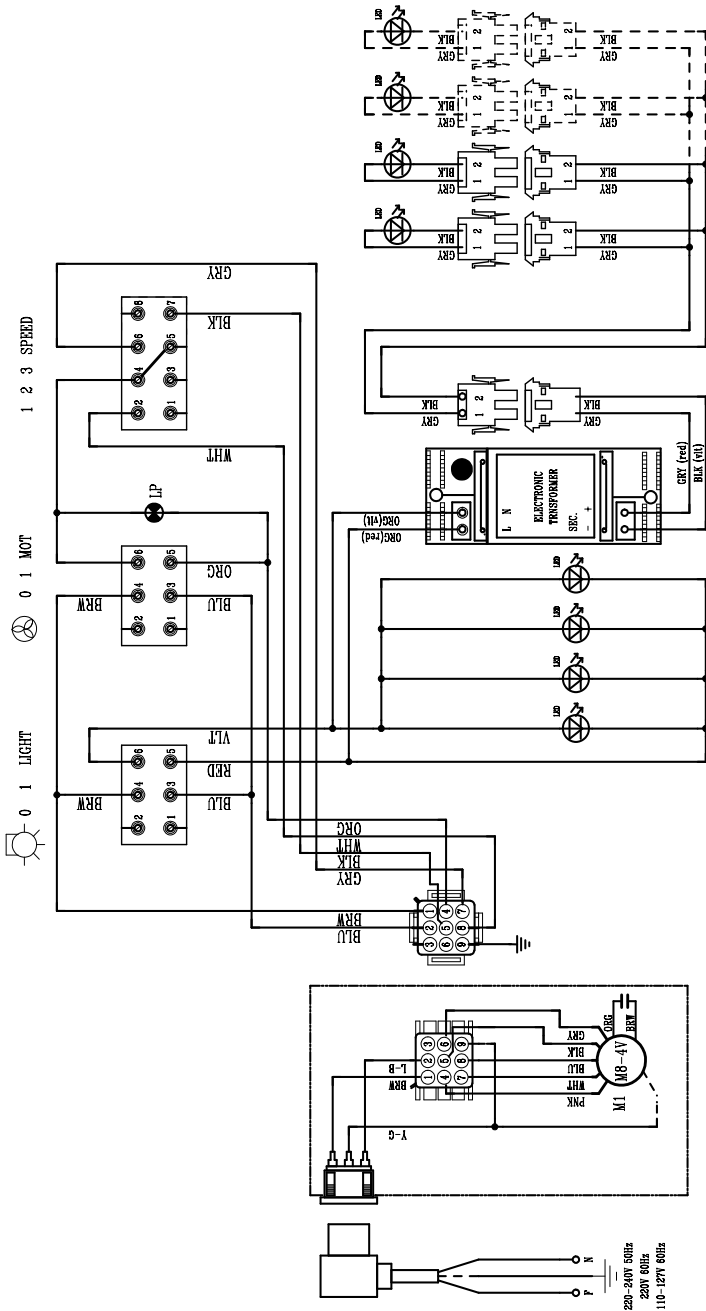
- Retirez l'écran protecteur de la lampe en faisant un effet de levier sous l'anneau métallique, en le soutenant d'une main.
- Remplacez l'ampoule avec une nouvelle du même type, en vous assurant d'insérer correctement les deux connecteurs dans leur logement sur le socle.
- Remettez l'écran protecteur de la lampe en place.



Lampes DEL à ballast intégré de type Gu10 – répondant à la norme UL 1993/nmx-j-578/1-ance/csa c22.2 No 1993



Schéma de câblage





GARANTIE LIMITÉE ET SERVICE FABER

Tous les produits Faber font l'objet d'une garantie contre les défauts de matériel et de main-d'œuvre, accordée à l'acheteur original pour une période d'un (1) an à compter de la date d'achat initiale (preuve d'achat requise). Cette garantie couvre les frais de main-d'œuvre et les pièces de rechange. À sa discrétion, Faber peut réparer ou remplacer le produit ou les composants nécessaires à remettre le produit en bon état de marche. Pour bénéficier de services prévus par la garantie, veuillez communiquer avec le détaillant auprès duquel vous avez acheté la hotte de cuisine, ou encore avec le distributeur Faber de votre région. Si vous n'êtes pas en mesure de localiser un distributeur Faber dans votre région, veuillez communiquer avec nous au 508-358-5353 pour connaître le nom d'un distributeur à proximité.

Les éléments suivants ne sont pas visés par la garantie Faber :

1. Les appels au service de réparation visant à corriger l'installation de la hotte de cuisine, à recevoir des instructions sur l'utilisation de la hotte de cuisine, le remplacement ou la réparation des fusibles du domicile ou la correction des câblages ou de la plomberie du domicile.
2. Les appels au service de réparation visant à réparer ou remplacer les ampoules électriques de hotte, les fusibles ou les filtres. Ces pièces consommables ne sont pas couvertes par la garantie.
3. Les réparations si votre hotte de cuisine est employée à des fins autres que celles prévues, soit l'utilisation résidentielle normale pour une famille.
4. Les dommages découlant d'un accident, d'une modification, de l'utilisation incorrecte ou abusive, d'un incendie, d'une inondation, d'un cas de force majeure, d'une installation inadéquate, d'une installation non conforme aux codes en matière d'électricité ou de plomberie ou à la documentation fournie par Faber, ou encore d'une utilisation du produit non approuvée par Faber.
5. Les frais de main-d'œuvre ou de remplacement des pièces pour les appareils utilisés à l'extérieur des États-Unis ou du Canada, y compris toutes les hottes de cuisine Faber non-UL ou C-UL homologuées.
6. Les réparations à la hotte découlant de modifications non autorisées apportées à la hotte de cuisine.
7. Les frais encourus pour les déplacements et le transport de produits en région éloignée et les frais de cueillette et livraison. La réparation des hottes de cuisine Faber doit être réalisée à domicile.

LA PRÉSENTE GARANTIE NE PRÉVOIT AUCUNE FORME DE DÉDOMMAGEMENT EN CAS DE DOMMAGES ACCESSOIRES OU CONSÉCUTIFS, Y COMPRIS, SANS TOUTEFOIS S'Y LIMITER, LES DOMMAGES DIRECTS, INDIRECTS, ACCESSOIRES, PARTICULIERS OU CONSÉCUTIFS, LES LÉSIONS CORPORELLES/MORTELLES OU LA PERTE DE PROFITS. LA GARANTIE OFFERTE PAR FABER EST LIMITÉE AUX CONDITIONS ÉNONCÉES CI-DESSUS ET À LA PÉRIODE DE GARANTIE INDIQUÉE DANS LES PRÉSENTES ET EST EXCLUSIVE. SAUF DISPOSITIONS EXPRESSES CONTRAIRES DANS LE PRÉSENT ACCORD, FABER DÉCLINE TOUTE CONDITION, REPRÉSENTATION OU GARANTIE EXPLICITE OU IMPLICITE, Y COMPRIS, SANS TOUTEFOIS S'Y LIMITER, TOUTE GARANTIE IMPLICITE DE QUALITÉ MARCHANDE OU D'ADAPTATION À UN USAGE PARTICULIER.

Les droits qui vous sont conférés en vertu de la présente garantie peuvent varier d'une province ou d'un État à l'autre.

N° de modèle : _____

N° de série : _____

4 janvier 2016

