



Liberty Furniture

INDUSTRIES, INC

LIBERTY FURNITURE

ASSEMBLY INSTRUCTION

Item#: 455W-BR47

DESCRIPTION: BED BENCH

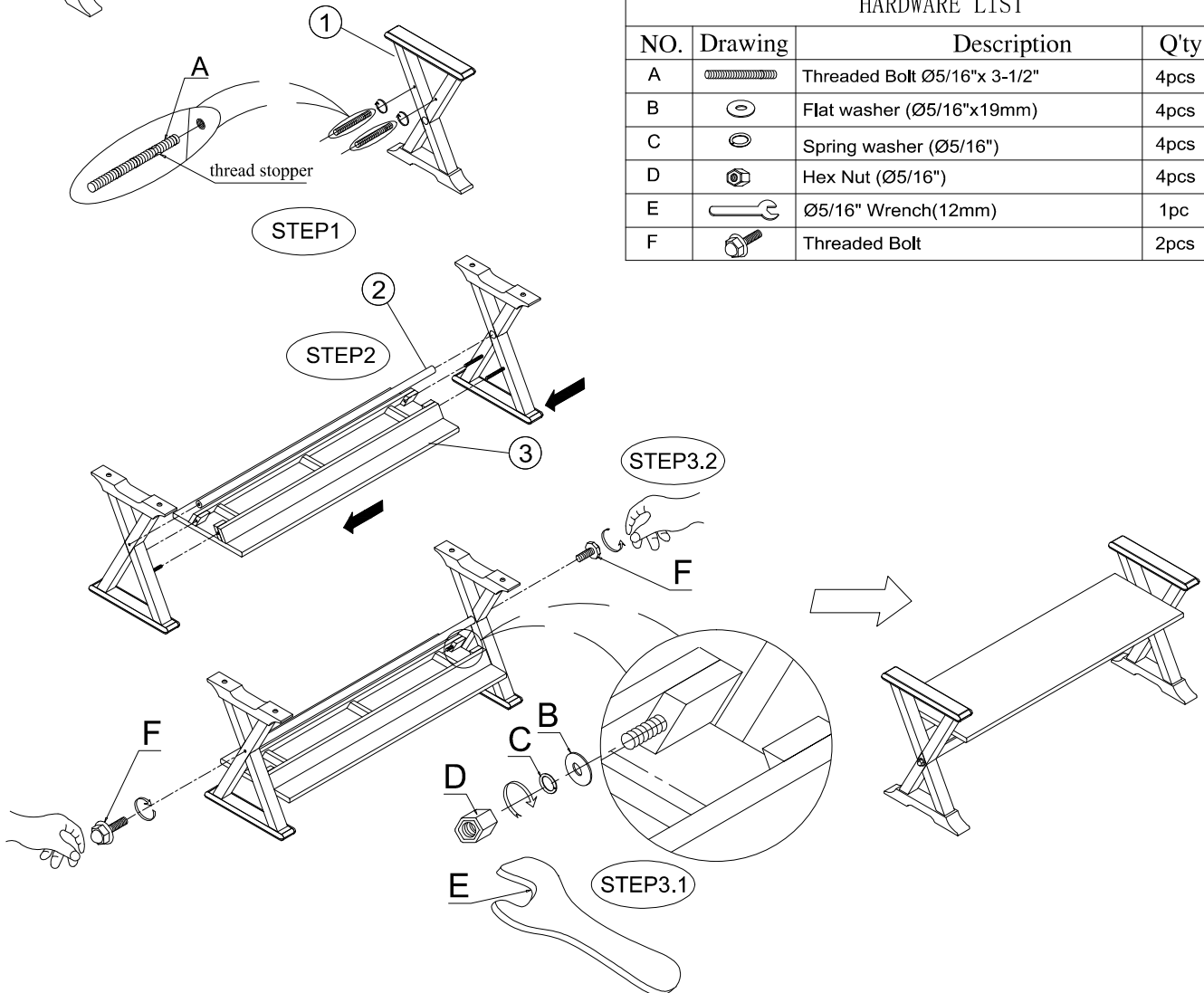
Thank you for purchasing this quality product. Be sure to check all packing material carefully for small parts which may have come loose inside the carton during shipment. Identify and count all parts and compare with the parts List Below:

PART LIST:

	①	②	③
	LEG FRAME: 2PCS	STRETCHER: 1PC	SEAT FRAME : 1PC

HARDWARE LIST

NO.	Drawing	Description	Q'ty
A		Threaded Bolt Ø5/16"x 3-1/2"	4pcs
B		Flat washer (Ø5/16"x19mm)	4pcs
C		Spring washer (Ø5/16")	4pcs
D		Hex Nut (Ø5/16")	4pcs
E		Ø5/16" Wrench(12mm)	1pc
F		Threaded Bolt	2pcs



CLEANING INSTRUCTION

Clean the Bed Bench surface with a furniture polish and a soft cloth.

Made in VietNam