



Liberty Furniture

INDUSTRIES, INC

LIBERTY FURNITURE

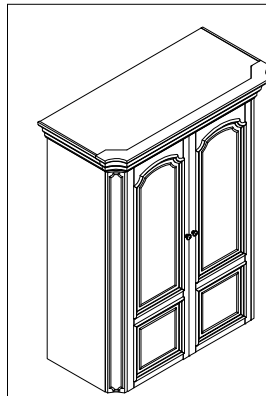
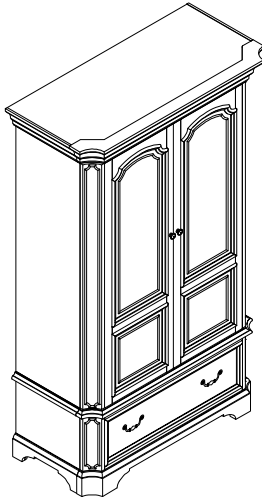
ASSEMBLY INSTRUCTION

Item#: **455W-BR43-BR43B**

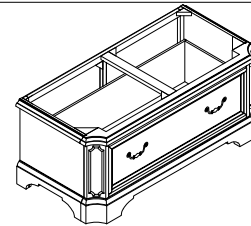
DESCRIPTION: **ARMOIRE TOP**
ARMOIRE BASE

Thank you for purchasing this quality product. Be sure to check all packing material carefully for small parts which may have come loose inside the carton during shipment. Identify and count all parts and compare with the parts List Below:

PART LIST:



ARMOIRE TOP: 1PC



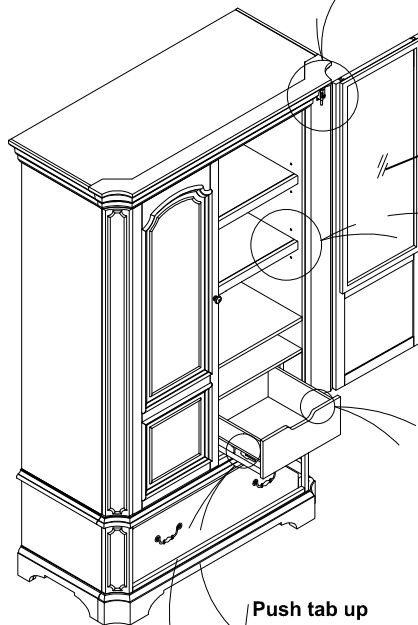
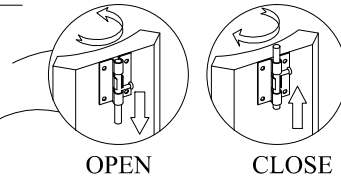
ARMOIRE BASE:1PC

① **HARDWARE LIST**

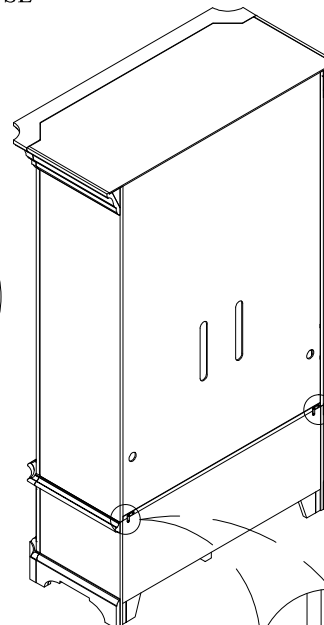
NO.	Drawing	Description	Q'ty
A		Furniture Tipping Restraint	1 Set
B		Wood screw(Ø8*3/4")	2 PCS

HOW TO REMOVE DRAWER

To remove drawer, simultaneously pull tab up on one side and push down on the other and remove drawer.



NOTE: MIRROR ONLY ON THE RIGHT SIDE OF THE DOOR



Furniture Tipping Restraint
Top Wall

A
Furniture Tipping Restraint must always be used to prevent the furniture from tipping.

CLEANING INSTRUCTION

Clean the Armoire Top/ Armoire Base surface with a furniture polish and a soft cloth.

Made in VietNam