



Liberty Furniture
INDUSTRIES, INC

DOC. NO : RD-F05-AT
REV. NO : A
REV. DATE : 25.08.2006

LIBERTY FURNITURE

ASSEMBLY INSTRUCTION

ITEM # : 439-BR13HF
: 439-BR90

DESCRIPTION : QUEEN UPH PANEL HB/FB
: QUEEN/KING PANEL RAILS

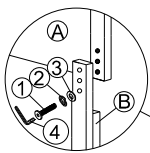
Thank you for purchasing this quality product. Be sure to check all packing material carefully for small parts which may have come loose inside the carton during shipment. Identify and count all parts and compare with the parts list below:

439-BR13HF : Component List		
NO.	Descriptions	Qty.
A	Headboard	1
B	Left Headboard Post	1
C	Right Headboard Post	1
D	Footboard	1
E	Slats	5
F	Slat Support	5

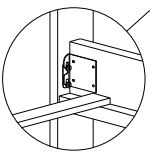
439-BR90 : Component List		
NO.	Descriptions	Qty.
G	Side Rails	2

Hardware List (Packed Inside HB/FB/SLATS)			
NO.	Descriptions		Qty.
1	JCBC Bolt M6 x 40mm		6
2	Spring Washer M6		6
3	Flat Washer 1/4		6
4	M4 Allen Key		1
5	Screw 1/4 P/H Rattan 8x1		10
6	M5 Allen Key		1
7	JCBC Bolt M8 X 25MM		8
8	Spring Washer 5/16"		8
9	Flat Washer 5/16"		8

STEP 1:

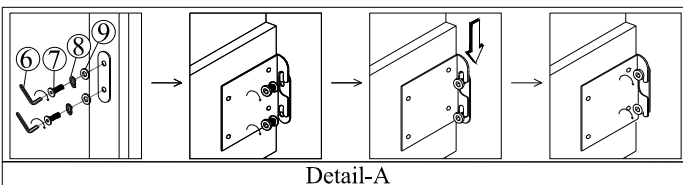


STEP 2:



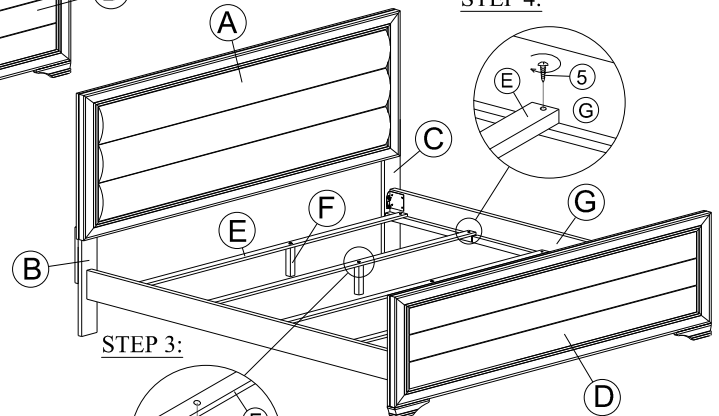
Detail-A

COMPLETED ASSEMBLY

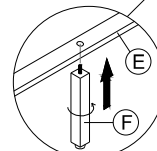


Detail-A

STEP 4:



STEP 3:



ASSEMBLY TIPS:

1. Remove hardware from box and sort by size.
2. Please check to see that all hardware and parts are present prior start of assembly.
3. Please follow attached instructions in the same sequence as numbered to assure fast and easy assembly.

⚠ WARNING!

1. Don't attempt to repair or modify parts that are broken or defective. Please contact the store immediately.
2. This product is for home use only and not intended for commercial establishments.