



ENGLISH

ESPAÑOL

FRANÇAIS

OWNER'S MANUAL DISHWASHER

Please read this owner's manual thoroughly before operating and keep it handy for reference at all times.

LDT9965BD



MFL62077195

www.lg.com

TABLE OF CONTENTS

3 IMPORTANT SAFETY INFORMATION

- 3 Basic Safety Precautions
- 4 Electrical Safety
- 5 Before Using the Dishwasher
- 5 Specifications

6 PARTS AND FEATURES

- 6 Features
- 7 Parts
- 8 Control Panel
- 10 Cycle Option Chart
- 10 Icons
- 11 Cycle Selection Chart

12 OPERATING INSTRUCTIONS

- 12 Quick Start
- 13 Loading the Lower Rack
- 14 Folding Down the Lower Tines
- 15 Loading the Silverware Basket
- 16 Loading the Upper Rack
- 16 Folding Down the Upper Tines
- 17 Height Adjustable Upper Rack
- 18 Loading the Cutlery Rack (on some models)
- 18 Height Adjustable Tray (on some models)
- 19 Adding Detergent to the Dispenser
- 20 Adding Rinse Aid to the Dispenser

21 CARE AND CLEANING

- 21 Cleaning the Filters
- 22 Cleaning Metallic Parts
- 22 Cleaning the Lower Spray Arm
- 22 Cleaning the Upper Spray Arm
- 23 Cleaning the Top Spray Arm
- 23 Seasonal Maintenance and Storage

24 FAQs

26 TROUBLESHOOTING

- 26 Before Calling for Service

28 SMART DIAGNOSIS™ SYSTEM

- 28 SMART DIAGNOSIS™ SYSTEM

29 WARRANTY

- 29 Product Registration Information

THANK YOU

Congratulations on your purchase and welcome to the LG family. Your new LG Dishwasher combines quiet, efficient operation with advanced cleaning technology. By following the operating and care instructions in this manual, your dishwasher will provide you with many years of reliable service.

IMPORTANT SAFETY INFORMATION

READ ALL INSTRUCTIONS BEFORE USE

Your safety and the safety of others is very important.

We have provided many important safety messages in this manual and on your appliance. Always read and follow all safety messages.



This is the safety alert symbol. This symbol alerts you to potential hazards that can result in property damage or serious bodily harm, even death.

The safety alert symbol will be followed by either the word "WARNING" or "CAUTION" then an important safety message. These words mean:

⚠ WARNING Indicates the possibility of serious bodily harm or death.

⚠ CAUTION Indicates the possibility of injury or damage to property.

BASIC SAFETY PRECAUTIONS

⚠ WARNING To reduce the risk of fire, electric shock, or injury to persons when using this appliance, follow basic precautions, including the following:

This manual contains very important information regarding the installation, use, and maintenance of your dishwasher. The manufacturer cannot be responsible for injuries or damage caused by failure to follow these safety and caution instructions.

- Read all instructions carefully before using the dishwasher.
- Use the dishwasher only for its intended function.
- Only use detergents or rinse agents recommended for use in a dishwasher. Keep all dishwasher detergents and additives out of the reach of children.
- This appliance is not intended for use by young children.
- When loading items to be washed:
 - 1) Load sharp items so that they are not likely to damage the door seal.
 - 2) Load sharp knives with the handles up to reduce the risk of injury when reaching into the dishwasher.
- Do not wash plastic items in the dishwasher unless they are labeled "dishwasher safe" or the equivalent. For plastic items that are not so labeled, check the manufacturer's recommendations.
- Do not operate the dishwasher unless all enclosure panels are properly in place.
- Do not tamper with the controls.
- Do not abuse, sit on, or stand on the door or dish racks of the dishwasher.
- To reduce the risk of injury, do not allow children to play in or around the dishwasher.
- Under certain conditions, hydrogen gas may be produced in a hot water system that has not been used for two weeks or more. HYDROGEN GAS IS EXPLOSIVE. If the hot water system has not been used for such a period of time, turn on all hot water faucets and let the water flow for several minutes. This will release any accumulated hydrogen gas. Since hydrogen gas is flammable, do not smoke or use an open flame during this time.
- Remove the door to the wash compartment when disposing of an old dishwasher.
- The installer must ensure that the dishwasher is completely enclosed at the time of installation.
- **WARNING** : This product contains chemicals known to the State of California to cause cancer and birth defects or other reproductive harm. ***Wash hands after handling.***

BASIC SAFETY PRECAUTIONS

⚠ WARNING To reduce the risk of fire, electric shock, or injury to persons when using this appliance, follow basic precautions, including the following:

For a permanently connected dishwasher:

This appliance must be connected to a grounded metal, permanent wiring system, or an equipment grounding conductor must be run with the circuit conductors and connected to the equipment grounding terminal or lead on the appliance. Consult with a qualified electrician.

Tip Hazard

Do not put excessive downward force on the open dishwasher door prior to installation, as this could cause damage to the unit or cause it to tip over. Do not use the dishwasher before installation has been completed in accordance with the Installation Instructions.

ELECTRICAL SAFETY

⚠ WARNING

Electrical Shock Hazard

Failure to follow these instructions can result in death, fire, or electrical shock.

- The dishwasher **MUST** be grounded. Connect the ground wire to the green ground connector in the terminal box.
- Do not use an extension cord with this appliance.
- The dishwasher is designed to be used with standard household current (120 Volts AC, 60Hz.). Before connecting the dishwasher, ensure that the outlet or cable is properly grounded and polarized by circuit breakers or fuses. Failure to provide adequate grounding of this appliance may cause electrical shock or malfunction of the appliance. Consult with a qualified electrician.
- Do not install or store the dishwasher where it will be exposed to weather conditions. Failure to observe this precaution may result in electrical shock, fire, malfunction, and/or deformation of the dishwasher.
- Do not damage or place heavy items on the power cord of the appliance. Do not use the dishwasher if it has a damaged power cord. Power cord damage may cause fire and electrical shock. Consult with a qualified electrician.
- Do not grasp the power cord or touch the dishwasher controls with wet hands. Do not use the dishwasher if it has a damaged power cord or plug, and do not plug the dishwasher into a damaged outlet. Failure to observe these instructions may result in electrical shock.
- Disassembly or repair must be performed by experienced service persons. Improper disassembly or repair could lead to product failure or electrical shock.

BEFORE USING THE DISHWASHER

Before using the dishwasher, please read the Important Safety Instructions.

Water supply temperature should be a minimum of 120 °F (49 °C) for better washing and reasonable cycle time.

For this reason, use the hot water supply only. It is also important that the dishwasher is loaded according to instructions for effective cleaning. When loading the dishwasher, make sure that insoluble items such as bones, toothpicks, and pieces of paper have been removed.

When loading the dishwasher, observe the following general guidelines:

1. Place items with deep dish bottoms at an angle to help water run off and speed the drying process.
2. Remove solid, burned-on scraps from dishes prior to loading in the dishwasher.
3. Only load items that are dishwasher-safe.

NOTE

Do not load utensils that are not heat-resistant, have decorative metal trim, etc.

SAVE THESE INSTRUCTIONS

SPECIFICATIONS

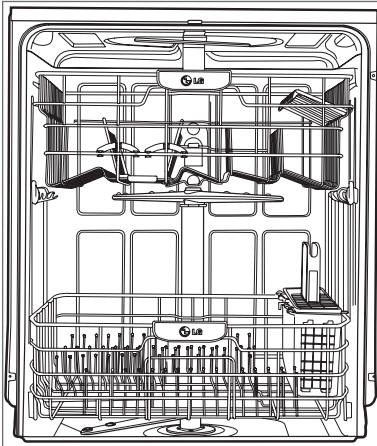
- Power Supply: 120 V, 60 Hz AC only, minimum 15 A circuit breaker
- Water Pressure: 20–120 psi (140–830 kPa)
- Size (WxDxH): 23 3/4" x 24 5/8" x 33 1/2" (603 mm x 625 mm x 851 mm)
- Inlet Water Temperature: 120 °F (49 °C) minimum
- Product Weight : - LDT9965 : 100.5 lbs.(45.6 kg)

The appearance and specifications are subject to change without notice.

PARTS AND FEATURES

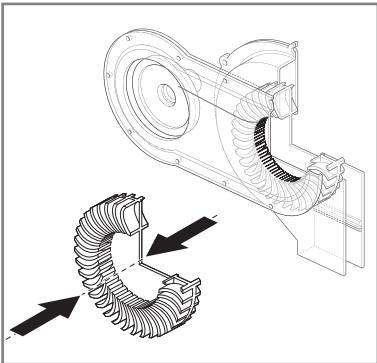
FEATURES

LARGE CAPACITY



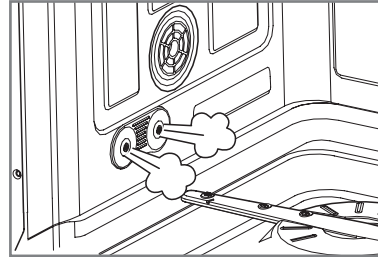
LG dishwashers allow you to load very large items in both the upper and lower racks. The tall tub provides extra overall capacity and the clearance to accommodate large dishes. Extra large items (max. 14 in.) may be loaded in the lower rack by raising the upper rack.

HYBRID DRYING SYSTEM



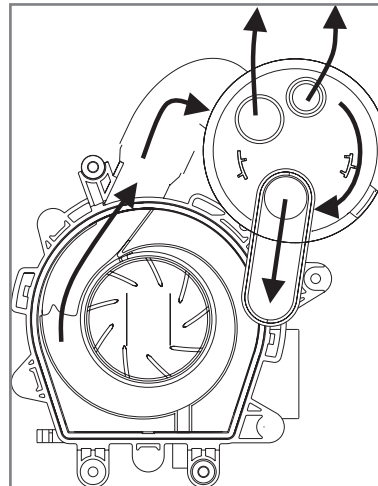
This system effectively dries dishes without the use of a heating element that would increase energy consumption.

STEAM WASHING (not available on all models)



Steam technology provides better cleaning performance than regular wash systems. Steam is the most energy efficient gentle care for your finest china and stemware.

VARIABLE SPRAY SYSTEM



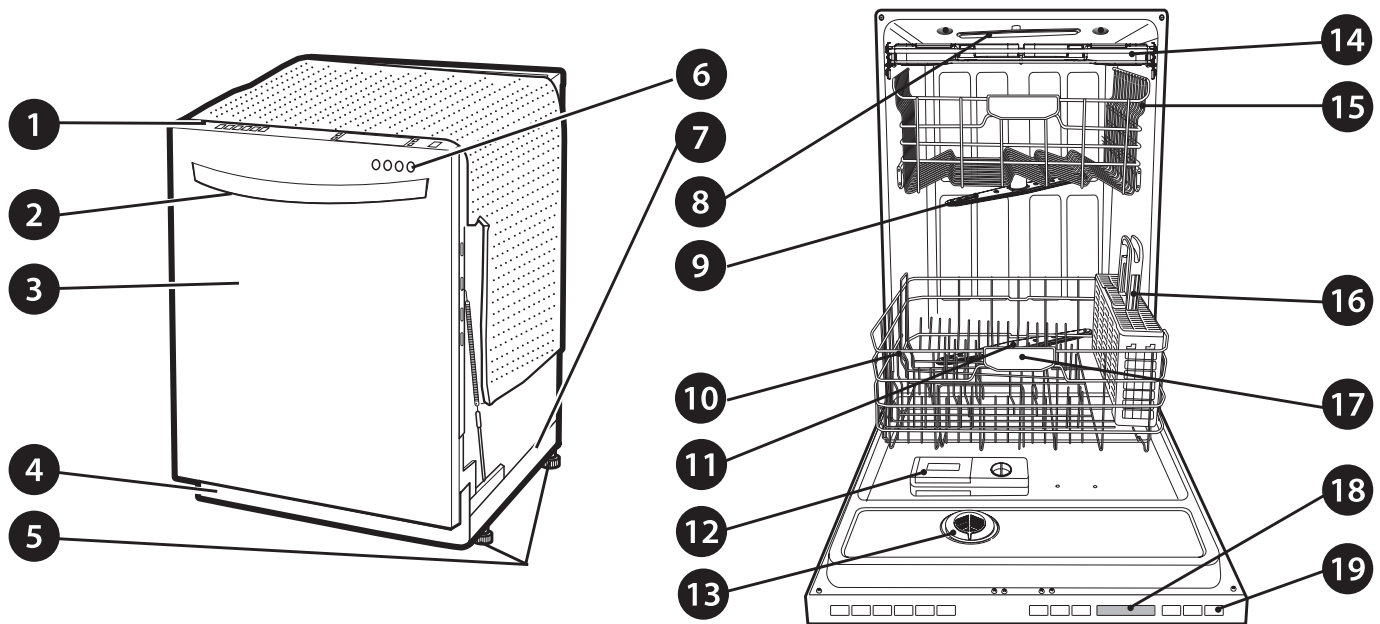
Because the water spray alternates between the upper and lower racks, all of the power from the motor is directed to one rack at a time. This concentrates all the cleaning power of the motor on each rack in turn.

LIGHT TOUCH BUTTONS

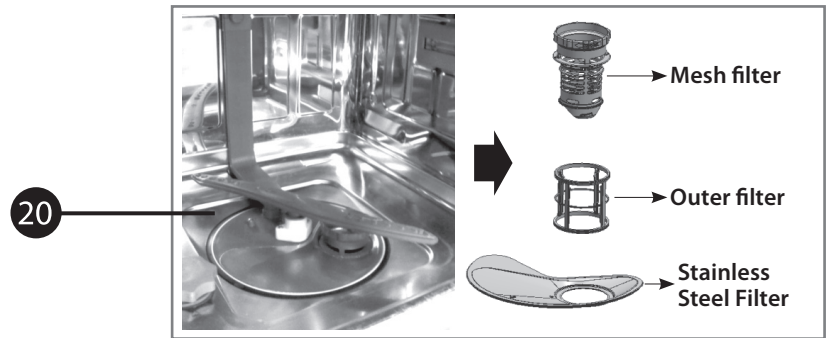


The light touch buttons on the control panel make selections easy and convenient.

PARTS



1. CONTROL PANEL
2. DOOR HANDLE
3. FRONT COVER
4. LOWER COVER
5. LEVELING FEET
6. FRONT DISPLAY (SIGNALIGHT™)
7. BASE

**Signalight (front display)**

When a cycle is running, the Signalight will illuminate for the active stage.

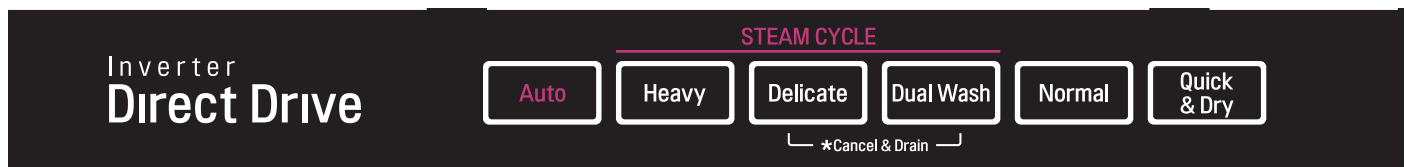
- Model with 4 LEDs : WASH – RINSE – DRY – CLEAN
- Models with 2 LEDs : OPERATING - CLEAN
- Models with 1 LED : OPERATING (Flickering) / CLEAN (Lighting)

Once the cycle is complete, the CLEAN light will illuminate for four minutes.

To keep the CLEAN light on until the door is open, turn the power on, and then press and hold the Extra dry and Half load buttons on the control panel simultaneously until Off or On appears in the display. The dishwasher will remember this setting until manually changed.

8. TOP SPRAY ARM
9. UPPER SPRAY ARM
10. STEAM NOZZLE (on steam models)
11. LOWER SPRAY ARM
12. DETERGENT AND RINSE AID DISPENSER
13. DRYING VENT COVER
14. CUTLERY RACK (some models)
15. UPPER RACK
16. SILVERWARE BASKET
17. LOWER RACK
18. TOP DISPLAY
19. POWER BUTTON
20. FILTRATION SYSTEM

CONTROL PANEL



Cycles

Select your desired cycle.

Auto

This cycle senses the load size, soil amount and soil toughness. This cycle is optimized to achieve the best cleaning.

Heavy

This cycle is for heavily and hard soiled dishes. Heavy defaults to the highest spray intensity and uses the power of steam to wash heavily soiled dishes.

Delicate

This cycle adds the gentle power of steam to boost the cleaning power of the delicate cycle. The cycle is intended for effectively cleaning delicate items such as fine china and stemware.

Dual Wash

This cycle washes the upper and lower racks at different spray intensities. The default setting for this cycle washes the lower rack with strong spray intensity and the upper rack with soft spray intensity. This provides optimum cleaning performance for mixed loads, including fine china and stemware.

Normal

This cycle is for normally soiled, everyday loads.

Quick & Dry

This is a shortened cycle that is intended for washing and drying recently used dishes or lightly soiled loads. During this cycle, both spray arms will run at the same time.

CHIME ON/OFF

To enable or disable the chime, first, turn on the dishwasher. Press and hold the Delicate and Quick&Dry Buttons simultaneously for approximately three seconds.

TO CANCEL A CYCLE

To cancel a cycle, open the door and then press and hold the Delicate and Dual Wash Buttons together for approximately three seconds. The drain pump will activate and the cycle will cancel. The display will show "dr" and the dishwasher will drain the water. After the dishwasher is drained, the power will turn off.

If the power is turned on and no cycle has been selected, the dishwasher will power off within four minutes.

Cycle Options

(Refer to the control panel on the next page)

Press the desired cycle and then select the options for that cycle.

Extra Dry

Select the Extra Dry option for better drying performance. This option adds 60 minutes of extra drying time to the cycle. The Extra Dry button will illuminate when the option has been selected.

Rinse

Repeated pressing of the Rinse button will select the desired Rinse option. The Sanitary, Extra Rinse, or Sanitary and Extra Rinse lights will show in the bottom left portion of the display.

Sanitary (160°F)

This high-temperature rinse sanitizes dishes and glassware in accordance with NSF/ANSI Standard 184 for residential dishwashers. Certified dishwashers are not intended for licensed food establishments.

Extra Rinse (R+)

The Extra Rinse symbol indicates that an extra rinse has been added to the cycle. An extra rinse can help reduce hard water spotting on dishes. To add an extra rinse, press the Rinse button repeatedly until the Extra Rinse symbol appears in the display.

Rinse Only

This cycle is a quick rinse for dishes that will not be washed immediately. This cycle will rinse dishes that have excess soil to soften dried on residue. Rinsing the dishes will help prevent odors in the dishwasher. No detergent should be used. To select the Rinse Only cycle, turn the dishwasher on, and press the Rinse button once without pressing any other cycle buttons. The Rinse Only cycle is not available with any other cycles.

CONTROL PANEL



Half Load

For small loads, you may use just the upper or lower rack to save energy. Each press of the Half Load button cycles between upper rack only and lower rack only.

Delay Start

The Delay Start feature allows you to delay the start of a selected cycle. Each time the Delay Start button is pressed, the delay time will increase an hour. The delay start time can be set from 1 to 19 hours, in one-hour increments.

High Temp ON/OFF

Raises the main wash temperature to improve cleaning.

Child Lock

The Child Lock feature helps prevent your settings from being changed during a cycle. Selecting this feature locks all of the buttons, except for the POWER button, on the control panel. This feature does not lock the door.

To activate the Child Lock:

1. Open the dishwasher door.
2. Press the POWER button.
3. Select the cycle (and desired options).
4. Press and hold the Rinse and High Temp buttons for three seconds. The Child Lock indicator will illuminate in the display once the Child Lock is activated.
5. Close the door to begin the cycle.

Digital Display

The Digital Display on the control panel shows the ESTIMATED cycle time. When the dishwasher is powered up, the display will be blank. When the cycle and options are selected, the display will show the total estimated time to complete those selections. During operation, the display shows the remaining estimated operating time.

! NOTE

- The estimated time shown in the display does not include delay times for heating water, etc.
- If Delay Start is selected, the display shows the delay time in hours.
- Time may vary depending on the soil level of your load.

Energy Saving

The Energy Saving option saves energy by using less water. This option should only be used with light to medium soiled dishes.

! NOTE

The RINSE AID symbol  indicates that the rinse aid needs to be refilled.

POWER

- Press the POWER button to turn on the control panel. If no cycle is selected within four minutes, the dishwasher will power off.
- After the cycle is complete, the power automatically turns off for purposes of safety and economy.
- If there is a power surge, power outage, or disruption of any kind, the PF indicator will display and power will be automatically turned off for safety. The cycle will need to be restarted.

Smart Diagnosis

Should you experience any problems with your dishwasher, it has the capability of transmitting data to your Smart Phone using the LG Smart Laundry & DW Application or via your telephone to the LG call center.

! WARNING




Steam can cause burns. Use caution in the area of the steam nozzle, on the left side of the dishwasher, if the door is opened during the steam portion of a cycle. Contact with the steam or the steam nozzle can cause burns.




CYCLE OPTION CHART

The cycle guide below shows the available options for each cycle.

Cycle	Extra Dry	Sanitary Rinse	Extra Rinse	Sanitary/Extra Rinse	Half Load	Delay Start	Energy Saving	High Temp
Auto	●	●	●	●	●	●		●
Heavy	●	●	●	●	●	●		
Delicate	●	●	●	●	●	●	●	●
Dual Wash	●	●	●	●	●	●	●	
Normal	●	●	●	●	●	●	●	●
Quick & Dry	●					●		
Rinse Only						●		

ICONS

	Steam Cycle (steam models)
R ⁺	Extra Rinse
	Sanitary Rinse
	Child Lock

	Low Rinse Aid Indicator
	Energy Saving Cycle
	Cycle Time Indicator
Upper	Upper Spray Arm
Lower	Lower Spray Arm

CYCLE SELECTION CHART

The cycle guide below shows the default settings for each cycle.

Cycle	Wash				Rinse			Dry	*Water Usage	**Cycle Time
	Pre 1	Pre 2	Pre 3	Main Wash	Rinse 1	Rinse2	Heated Rinse			
Auto	●	●	●	122 °F 50 °C ●	●	●	149~158 °F 65~70 °C ●	●	6.1 gal. 23 L	135 Min.
Heavy	●	●		140 °F 60 °C ●	●	●	158 °F 70 °C ●	●	6.1 gal. 23.0 L	166 Min.
Delicate	●	●		122 °F 50 °C ●	●		154 °F 68 °C ●	●	4.6 gal. 17.5 L	141 Min.
Dual Wash	●	●		154 °F 68 °C ●	●		158 °F 70 °C ●	●	4.6 gal. 17.5 L	147 Min.
Normal	●	●	●	86~122 °F 30~50 °C ●	●		149~158 °F 65~70 °C ●	●	1.7~6.4 gal. 6.5~20.5 L	110~139 Min.
Quick & Dry	●	●	●	122 °F 50 °C ●	●	●	162 °F 72 °C ●	●	7.6 gal. 29 L	79 Min.
Rinse Only					●				1.0 gal. 4 L	22 Min.

* Actual water consumption will vary depending on soil level and water hardness.

** Actual cycle times may vary depending on soil level, water temperature and water hardness

OPERATING INSTRUCTIONS

QUICK START

1. LOAD THE DISHES

Scrape the dishes free of excess food, bones, and any other hard, non-soluble residue. Pull each rack out and load the dishes as described in this manual.

2. MEASURE THE DETERGENT

Using the guidelines in this manual, fill the detergent cup with the recommended amount of detergent and close the lid. If a prewash is desired, the recess on top of the lid should also be filled with detergent.

3. TURN ON THE DISHWASHER

To turn on the display panel, press the POWER button.

4. CHECK THE RINSE AID

The Rinse Aid indicator light will illuminate if the level of rinse aid in the dishwasher is low. Add rinse aid if the level is low to maintain the effectiveness of the dry cycle.

5. SELECT THE CYCLE AND OPTIONS

Select the cycle and options that best fit the load by referring to the Cycle Selection Chart. The display will show the estimated time for the cycle and options selected.

6. CLOSE THE DOOR

The dishwasher will start automatically, after a slight delay, when the door is closed and latched. During the cycle, the display will indicate the estimated time remaining for the cycle and options selected. If the door is opened during the cycle, the dishwasher will stop. When the door is closed, the cycle will resume from the point where it was stopped.

7. END OF CYCLE

When the cycle is complete, a chime will sound and the display will show "END." After a short time, the display and controls will shut off for safety and energy conservation.

CAUTION

Empty the lower rack first and then the upper rack. This will avoid water dripping from the upper rack onto dishes in the lower rack.

WARNING

In general, it is not advisable to open the door while the dishwasher is in operation. If the door is opened, a safety device stops the dishwasher. Care should be taken when opening the door immediately following the cycle, as steam may escape.

AUTO-OFF

The dishwasher will automatically turn off if a cycle is not selected or if the door is not closed within four minutes.

LOADING THE LOWER RACK

⚠ CAUTION

NON-DISHWASHER SAFE ITEMS

The combination of high water temperature and dishwasher detergents may damage certain items. LG does not recommend washing the following items in the dishwasher:

- Hand painted silver or gold leaf dishes
- Wood or bone handled utensils
- Iron or other rust prone utensils
- Plastic items that are not dishwasher safe

When in doubt, check the manufacturers' recommendations.

The extra tall tub allows loading of dishes, pans, or other utensils up to 14 inches high.

The lower rack is recommended for dinner plates, soup bowls, dishes, pots, pans, lids, and grill trays. Plates should be positioned vertically and facing the center of the rack. Pots, pans, and large bowls must be turned so that the inside faces downward. The silverware basket may be used in either the lower or upper rack.

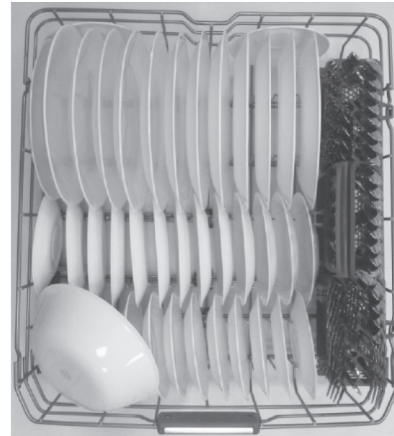
The lower rack should not be used for small items such as cups, wine glasses, or small plates. These items should be loaded in the upper rack.

For models with steam, load heavily soiled or stained dishes in the front left side of the lower rack with the dirty side facing down. This is the area that the stream enters the dishwasher. The use of hot steam maximizes the dishwasher's cleaning performance.

SUGGESTED LOADING PATTERN



ADDITIONAL LOADING PATTERN



RACK LOADING TIPS

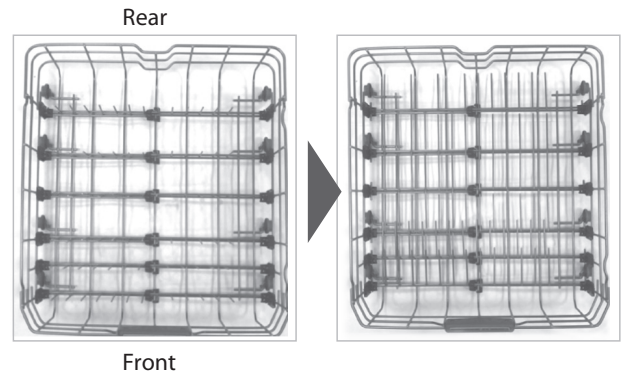
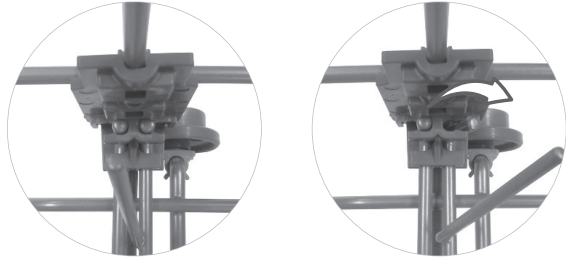
- Load plates, soup bowls etc. between the tines.
- Load cookie sheets, cake pans and other large items on the sides or back of the rack. Loading these items in the front of the dishwasher can prevent the water spray from reaching the detergent dispenser.
- Make sure that pot handles and other large items do not stop the rotation of the spray arms.

! NOTE

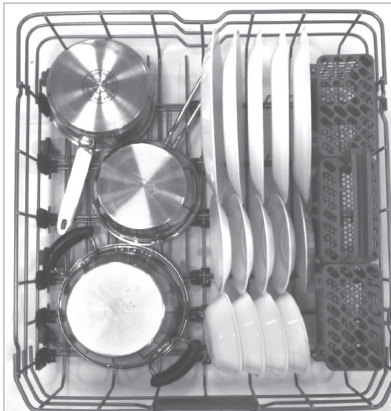
Make sure that large items do not interfere with the rotation of the spray arms, and do not prevent the detergent dispenser from opening.

FOLDING DOWN THE LOWER TINES

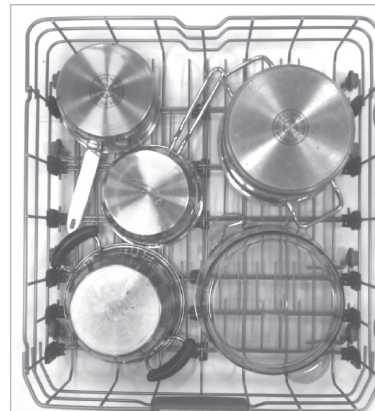
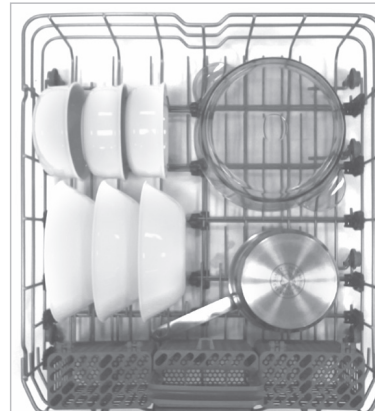
The tines are adjustable to fit dishes of various sizes.



LOADING DISHES & POTS

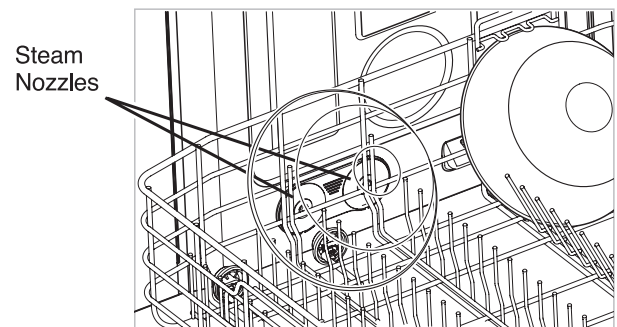


LOADING POTS & BOWLS



DIFFICULT TO REMOVE FOOD ON DISHES

Load items with difficult to remove or baked-on food near the steam spray arms, towards the left side of the lower rack, facing down. The dishes will benefit from the direct steam spray and the lower spray arm wash action.



LOADING THE SILVERWARE BASKET

The silverware basket has separators to avoid scratching and tarnishing of delicate silverware. The basket can be separated into three separate baskets that can be used individually in both the upper and lower racks. Unlock the tabs above the left and right sides to separate.

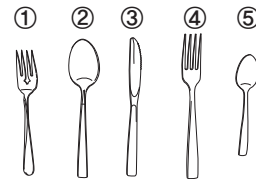
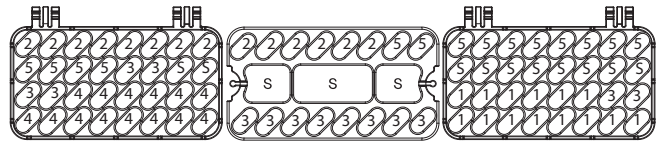


⚠ WARNING

Be careful when loading and unloading sharp items. Load sharp knives with the handles up to reduce the risk of personal injury.

SILVERWARE LOADING TIPS:

- For best cleaning results, use the top separators in the basket when loading silverware. The separators will prevent nesting of silverware.
- Load sharp items, such as knives, pointing down.
- When unloading the dishwasher, it is best to start with the silverware basket. Doing so will prevent water droplets from falling on your silverware from the upper rack.



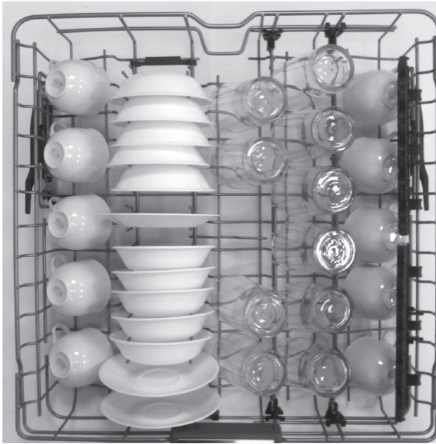
LOADING THE UPPER RACK

Use the upper rack for small or delicate items such as small plates, cups, saucers, glasses, and dishwasher-safe plastic items. Cups, glasses, and bowls must be positioned upside down. Extra cups or cooking utensils can be laid on the fold down cup racks, which may also provide support for long stemmed glasses. Make sure items do not interfere with the rotation of the spray arms above and below the upper rack.

! NOTE

When loading larger items in the upper rack, such as wine glasses or taller cups, it may be necessary to remove the cutlery rack.

SUGGESTED LOADING PATTERN



ADDITIONAL LOADING PATTERN

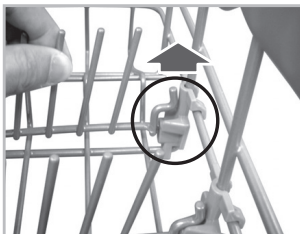


UPPER RACK LOADING TIPS:

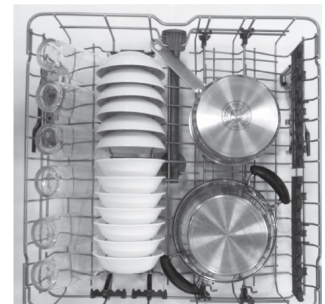
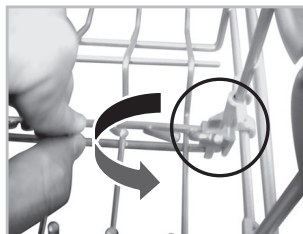
- Place cups and glasses in the rows between the rack tines. Placing them over the rack tines can lead to breakage and water spots.
- To avoid chipping, do not let stem ware touch other items.
- Place items so that the open end faces down for cleaning and drying.
- Do not stack items on top of each other.

FOLDING DOWN THE UPPER TINES

Pull up the tine



Rotate the tine



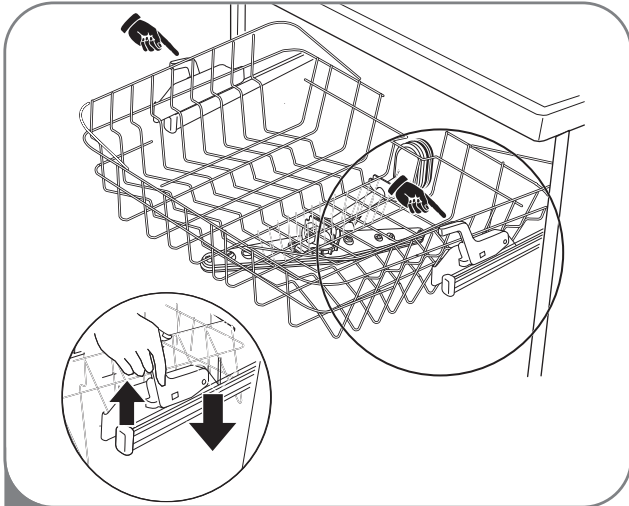
The tines can be adjusted up or down. The right side tines have handles for wider or small dishes.

HEIGHT ADJUSTABLE UPPER RACK

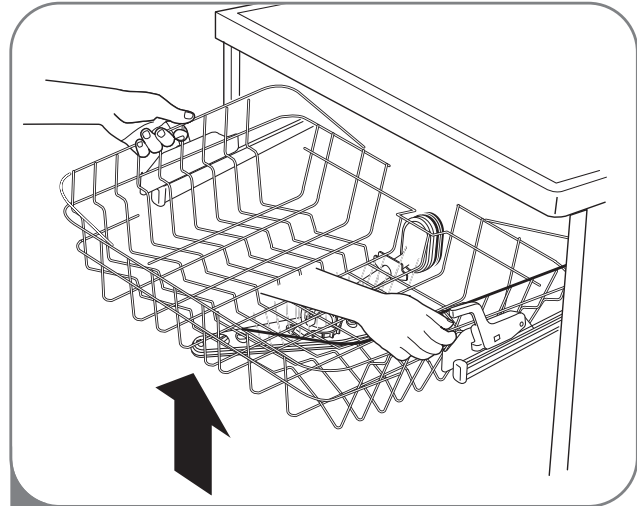
The upper rack adjusts up and down. Adjust the upper rack up to allow tall and oversized items of up to 14 inches high in the lower rack. Adjust the upper rack down to allow placement of large dishes of up to 12 inches high in the upper rack. The upper rack comes in the upper position.

! NOTE

After adjusting, make sure that dishes in the upper and lower racks do not interfere with the rotation of the spray arm. Do not adjust the rack while it is loaded with dishes.

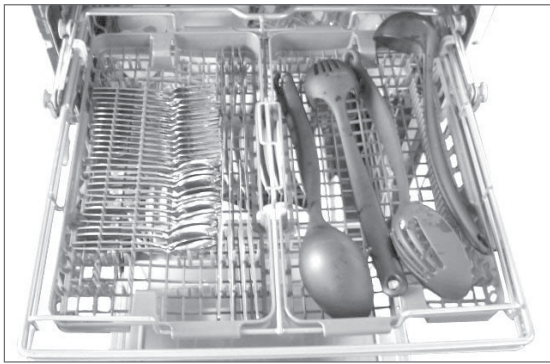


- 1** To lower the rack:
Hold the rack at the center of each side to support its weight. Then, lift the lever on each side to release the rack and lower it to the lower position.



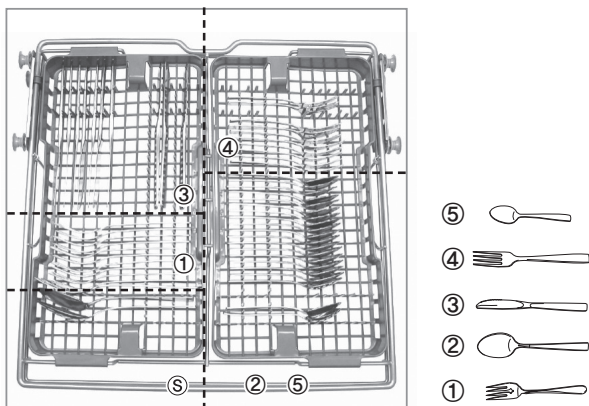
- 2** To raise the rack:
Simply lift the rack at the center of each side (see illustration) until the rack locks into place in the upper position. It is not necessary to lift the lock levers to raise the rack.

LOADING THE CUTLERY RACK

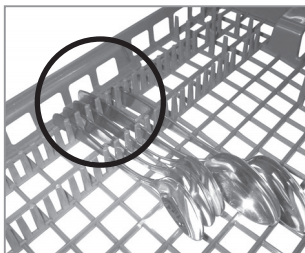


The cutlery rack is best suited for washing flatware and most cooking or serving utensils. The separators on the cutlery racks help keep flatware separated to avoid damage and improve cleaning. The rack can also accommodate small prep bowls and lids. Using the rack allows you to remove the silverware baskets from the lower racks.

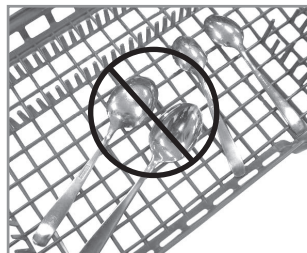
NOTE: For best cleaning performance, place flatware in the silverware baskets. Heavily soiled utensils or items with baked on foods should be placed in the middle rack or spoon basket for best performance.



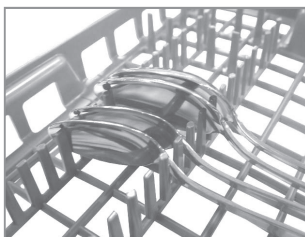
Sample 10-place setting.



Right



Wrong



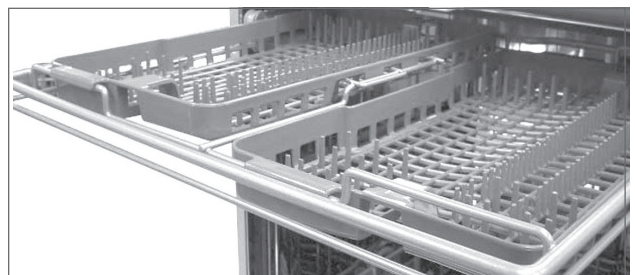
Alternate

If the handles of your flatware are too thick, then reverse the pieces so that the handles face the other direction, as shown in the bottom figure.

HEIGHT ADJUSTABLE TRAY

Each side tray can be adjusted independently to a high or low position to accommodate different sizes of utensils or cutlery. Remove dishes before adjusting the tray.

Each tray is adjusted by lifting it out and rotating it front to back.

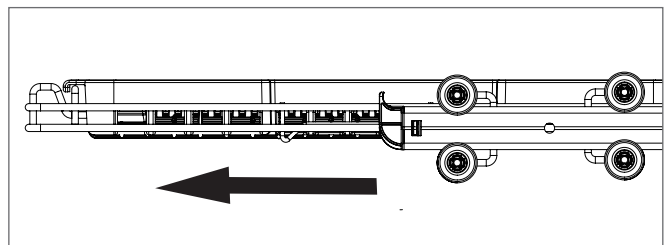


Removing the Cutlery Rack

The entire cutlery rack can be removed if more space is needed on the upper rack for larger items.

NOTE

Always remove the cutlery from the rack before removing the rack.



Pull the rack out to the end of the rails. Then, lift the front of the rack so that the rollers clear the stop on the end of the rail. The rack can now be slid forward and removed from the rails.

WARNING

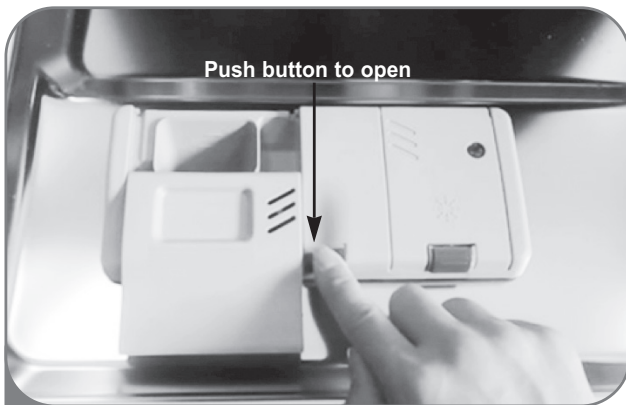
Be careful when loading and unloading sharp edged items. Load sharp knives with the blade down to reduce the risk of injury.

ADDING DETERGENT TO THE DISPENSER

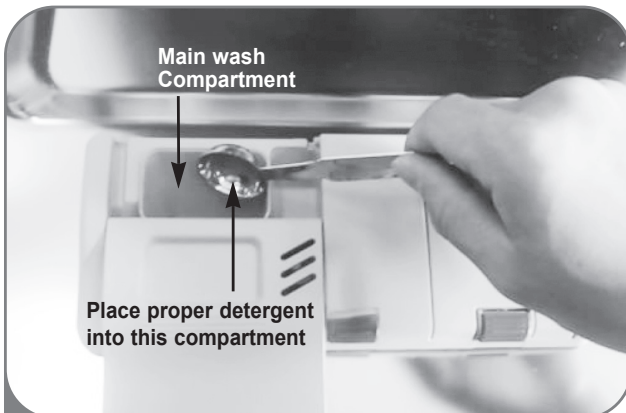
- Only use detergent intended for automatic dishwashers.
- Detergent must be put into the detergent compartment before starting any cycle, except the Rinse Only cycle.
- Use less detergent if the dishes are only lightly soiled. Using excess detergent can leave a film on dishes and in the dishwasher resulting in poor wash performance.
- The amount of detergent needed depends on the cycle, load size, and soil level of dishes.

! NOTE

Remove the label on the dispenser prior to running the dishwasher.



- 1 If the lid is closed, press the lever on the bottom side of the lid to open the dispenser.



- 2 Add dish washing detergent to the main wash compartment until the level is between the lines marked 20 and 30. Fill to the 30 line for hard water or heavily soiled loads. Fill to the 20 line for soft water or lightly soiled loads.

Close the lid firmly until it clicks.

! NOTE

DO NOT add detergent when the Rinse Only cycle is selected.



- 3 If a prewash is desired, fill the recessed prewash compartment area in the lid with detergent.

! NOTE


Too much detergent can leave a film on dishes and in the dishwasher, resulting in poor wash performance. Do not use detergent tablets for shorter wash cycles. The tablet may not dissolve completely, causing detergent residue on dishes and inefficient cleaning.

! CAUTION

DETERGENT INFORMATION

Use only detergent intended for automatic dishwashers. Incorrect detergent may cause the dishwasher to fill with suds during operation. Excess sudsing may reduce wash performance and may cause the dishwasher to leak. DO NOT use hand dish washing detergent in this dishwasher.

ADDING RINSE AID TO THE DISPENSER

 The Low Rinse Aid indicator will appear in the display when more rinse aid is needed.

Only use liquid rinse aid in this dishwasher. The use of rinse aid is recommended to prevent water droplet spots on dishes and to enhance the drying performance.



1 Push button to open lid.

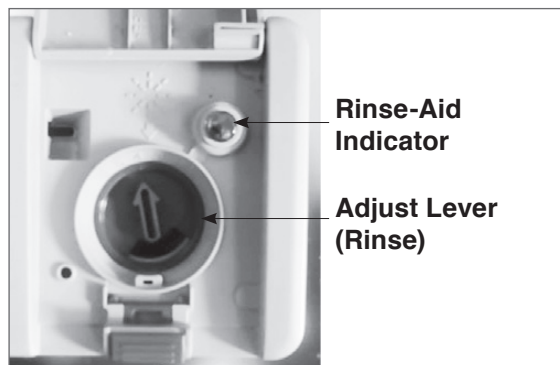


2 Add a liquid rinse aid to the maximum fill level. When filling the rinse aid dispenser, aim the rinse aid at the arrow. Make sure that the rinse aid is settled in the dispenser while filling.



3 Close the lid to lock the dispenser. Rinse aid will be dispensed automatically during the final rinse cycle.

RINSE AID DISPENSER ADJUSTMENT



The rinse aid dispenser is set to level 4, which should provide the best performance under most conditions. Adjust the setting higher if you have hard water and notice calcium buildup on your dishes.


If you notice film on your dishes, use a lower setting. Setting the rinse aid control too low will contribute to spotting and streaking of dishes and poor drying performance. Setting the control too high can cause foaming, which will cause poor wash performance.

To adjust the rinse aid dispenser setting, remove the cap and adjust the rinse aid lever to the desired setting. Point the arrow to the left for a lower setting, right for a higher setting.

REFILLING THE RINSE AID

The regularity of the dispenser needing to be refilled depends on how often dishes are washed and the rinse aid setting used. If the rinse aid level is low, the Rinse Aid light on the control panel will illuminate.

RINSE AID FILLING TIPS:

-  The Low Rinse Aid indicator will appear in the display when more rinse aid is needed.
- Do not overfill the rinse aid dispenser.
- Clean up any spilled rinse aid to prevent sudsing.

CARE & CLEANING

For best results, it is important to periodically check and care for the spray arms.

⚠ WARNING

To prevent injury during care and maintenance/cleaning, wear gloves and/or protective clothing.

CLEANING THE FILTERS

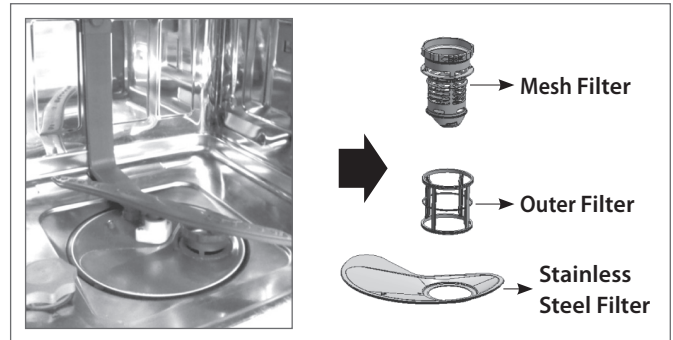
1. Remove the lower rack first.
2. Turn the mesh filter counterclockwise.
3. Take out the mesh filter, Stainless Steel Filter and outer filter.
4. Clean them if necessary.
5. Replace them in the reverse order.

! NOTE

- For best wash performance, clean the filter after each load. If food debris remains in the filter, it may cause odor.
- Before starting a cycle, make sure that the filter is assembled correctly. If the filter is not assembled correctly, you may experience poor cleaning results.
- If you have hard water, cleaning this filter at least once a month is recommended.

⚠ CAUTION

- A soft brush may be required when cleaning the Stainless steel filter.
- Be cautious of sharp edges when handling the Stainless steel filter.



All three filters should be cleaned according to the chart recommendations below. Clean the filters using non-abrasive materials and warm running water. A soft brush may be required to get hard to remove soil.

! NOTE



- The lower cover of the mesh filter can be opened for convenient cleaning.
- Close the lower cover before reassembling the filter.

Recommended filter cleaning chart:

Number of Loads Per Week	If you wash dishes before loading	If you scrape and rinse dishes before loading	If you only scrape dishes before loading	If you do not scrape or rinse dishes before loading
1-3	Every 6 months	Once a year	Four times a year	Once a month
4-7	Every 6 months	Once a year	Four times a year	Twice a month (every 15 days)
8-12	Every 6 months	Every 6 months	Every 1.5 months	Every week
13-14	Every 6 months	Every 6 months	Every 1.5 months	Twice a week

! NOTE

Check the drain air gap or in-sink disposer if your dishwasher is not draining well.

The drain air gap and disposer are external plumbing devices that are not part of your dishwasher.

The warranty provided with your dishwasher does not cover service costs directly associated with the cleaning or repair of external plumbing, including the drain air gap and disposer.

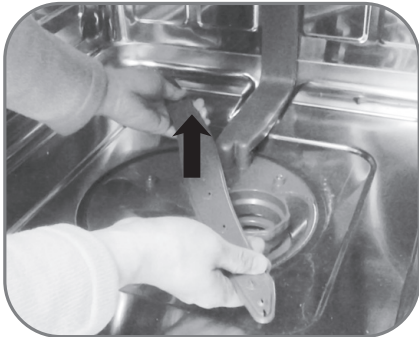
CLEANING THE INTERIOR

- Clean the interior of your dishwasher periodically with a soft, damp cloth or sponge to remove food and dirt particles.
- To remove white spots and odor from inside the dishwasher, run an empty cycle with detergent or run an empty cycle with one cup of white vinegar in a dishwasher safe glass or bowl placed on the upper rack. (Vinegar is an acid and with constant use it could damage your appliance.)

CLEANING THE EXTERIOR

- In most cases, the exterior of your dishwasher can be cleaned with a soft damp cloth or sponge, then dried with a soft cloth. If your dishwasher has a stainless steel exterior, a stainless steel cleaner is recommended.

CLEANING THE LOWER SPRAY ARM



- Make sure that the water jet holes are not blocked by food particles.
- When cleaning is necessary, remove the lower spray arm by pulling up.
- After cleaning the lower spray arm, replace it by pushing down until it clips into place. Be sure that the spray arm is able to turn freely.

CLEANING THE UPPER SPRAY ARM

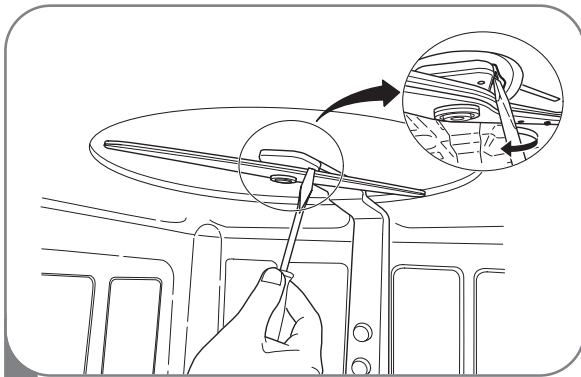


- Pull the upper rack forward. Make sure that the water jet holes are not blocked by food particles.
- When cleaning is necessary, remove the upper spray arm by turning the nut on the bottom of the spray arm 1/8 turn counterclockwise and pulling down.

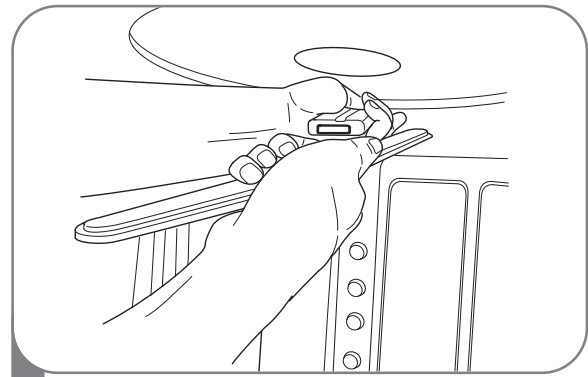


- After cleaning the upper spray arm, press it up into place. Turn the nut 1/8 turn clockwise to make sure that the nut locks back into place.

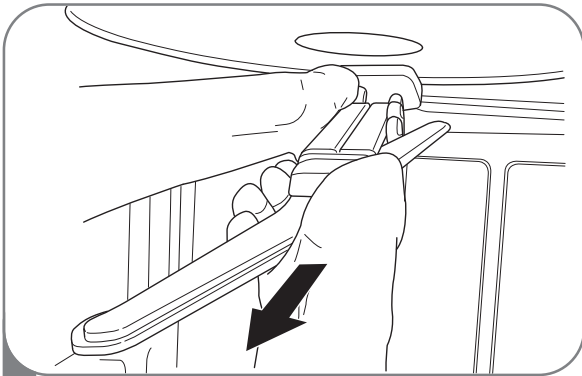
CLEANING THE TOP SPRAY ARM



- 1 Make sure that the water jet holes are not blocked by food particles. When cleaning is necessary, use a screwdriver to release the retainer clip from the bracket that holds the top spray arm assembly to the tub.



- 3 After cleaning the top spray arm, replace it. Slide it back into place and make sure the retainer clip engages.



- 2 Pull the spray arm out.

SEASONAL MAINTENANCE AND STORAGE

- If you will be absent for an extended period of time during warmer months, it is recommended that you close the water valve and unplug the power cord, or turn off the circuit breaker. Clean the filter, tub and dispenser to prevent odors.
- If you will be absent for an extended period of time during colder months, and there is a possibility of freezing temperatures, it is recommended that you winterize the water supply lines and the dishwasher itself. Winterization must be performed by experienced service personnel.

FAQs

COMMON PRODUCT QUESTIONS

Is a rinse aid required to be used?

Rinse aid is strongly recommended to enhance the drying performance of the dishwasher. In order to be more energy efficient, the hybrid drying system does not utilize a heating element in order to assist in drying, so a rinse aid plays an integral role in the drying process. If a rinse aid is not used, water may remain on the dishes and the tub. Rinse aid will help to ensure that the majority of the water has been sheeted off of the dishes at the end of the rinse and that the load is ready for the dry cycle.

What can be done if my dishes have a cloudy, white film on them after a wash?

The cloudy film is usually caused by minerals in the water reacting with the dishwasher detergent. First, be certain not to use too much detergent. Refer to the owner's manual for recommended detergent amounts by cycle. Add an Extra Rinse to the cycle, or run a Heavy cycle. LG Dishwashers use less water than traditional dishwashers, so adding an Extra Rinse will aid in rinsing the film away. If the water supply is hard, it may be necessary to add a performance booster that addresses the hard water condition.

What is the Sanitary Rinse and how is it activated?

The Sanitary Rinse will increase the heated rinse to approximately 161°F (72°C). The normal heated rinse temperature will vary from cycle to cycle.

What steps can I take to improve drying results?

Drying performance is directly affected by the amount of heat that remains in the tub after the heated rinse is performed. If your dishwasher is far away from your home's hot water heater, it may be necessary to run the hot water tap in the sink before starting a wash cycle, to ensure that cool water is purged from the hot water lines. This will ensure your dishwasher has a consistent supply of hot water from start to finish. Using the Sanitary Rinse setting will also aid in keeping the inner drum temperature and dishes hotter before drying begins.

LG dishwashers are designed to be used in conjunction with a rinse aid. Using a rinse aid will maximize the amount of water that has already been sheeted away from the dishes before the dry cycle begins. If a rinse aid is used and the performance still needs a boost, adjust the amount of rinse aid used by the indicator on the rinse aid cap. 4 is the default setting, but if necessary, set the level to 5 so more rinse aid will be used.

Allow the dishwasher to completely finish the dry cycle before opening the door. If the door is opened mid dry cycle, the heat that is necessary for the hybrid dry system to work will escape. This will cause all of the dishes inside to remain wet once the cycle finishes.

What is the hybrid drying system?

The dishwasher does not rely on a heating element for the drying process; instead, it relies on the heat that is retained by the dishes and the tub during the wash and rinse cycles to turn the moisture in the tub into humidity. Warm, moist air in the dishwasher is then pulled into a condensing duct in the door by a fan. The air then cools, which causes the humidity to condense. Room temperature air is also drawn into the duct to help the air cool down faster. When this moisture condenses into a liquid, it is drained out.

! NOTE

Rinse aid is required to enhance the drying performance. If no rinse aid is used, water may remain on the dishes and the tub.

Why is there a whistling sound?

It is important to determine how long the noise occurs and when it happens (what part of the cycle). When water is drawn into the dishwasher, a whistling noise can be heard. This is normal. If the water pressure is too high, it will be louder so it may be necessary to adjust the water valve to lower the pressure if the noise is too loud.

What kind of dishes can be placed in the dishwasher?

Ensure that the dishes you place in the dishwasher are dishwasher safe. Plastic dishware will not dry as effectively as glass and metal dishware. Plastic items do not retain heat as well as glass and metal dishware. Plastic cups and dishes may require some hand drying before being put away at the end of the cycle.

Can I perform a drain only cycle?

The dishwasher does not have a drain only function; however, the dishwasher will drain on its own for the first 45 seconds of a new cycle. To drain standing water, select a wash cycle and let it run for only 45 seconds. Then, turn the unit off and let it reset. Repeat as necessary.

How long does the clean indicator stay lit after the cycle is complete?

The clean light indicator on the dishwasher will stay lit for 4 minutes before turning off. You can, however, program the dishwasher so that the clean light stays on until the dishwasher door opens.

Why does my dishwasher continuously beep if I open the door during a cycle or right after the cycle has finished?

This is normal. The dishwasher is letting you know that the interior temperatures of the unit are hot and to use caution when placing your hands inside. Once the unit has cooled down, the beeping will stop.

PRODUCT FEATURES AND OPERATION**What is the benefit of steam?**

Steam allows for thorough cleaning of baked on foods while using less water than other power scrub methods. Steam also allows for enhanced cleaning performance when cleaning fine china and stemware items on a delicate cycle. Steam particles are smaller and more active so their penetrating power is more effective. Steam also increases the interior temperature of the dishwasher, which helps in melting oily or waxy substances, like lipstick along the rim of a glass.

What is Child Lock and how is it activated?

Child Lock is a feature that will prevent the controls from being changed during the cycle. It does not prevent the door from being opened or the unit from being powered off. To activate or deactivate, press the High Temp and Rinse buttons simultaneously for 3 seconds.

Why is "PF" showing up on the display?

PF is not an error code indicating a malfunction. PF indicates that there was a power failure. This function protects the dishwasher in the event that the power goes out or the power to the unit is disrupted. When power is returned and a button is pushed, this will display for 10 seconds and then go away.

INSTALLATION**What size is the 90° elbow?**

The 90° elbow should have a 3/8" NPT on the end that connects to the dishwasher.

Can I add an extension to the drain hose?

No, an extension cannot be added.

BEFORE CALLING FOR SERVICE

Problem	Possible Causes	Solutions
Dishwasher will not operate	<p>Door is not completely closed.</p> <p>Power supply or power cord is not connected.</p> <p>Fuse is blown or circuit breaker tripped.</p>	<p>Make sure that the door is completely closed and latched.</p> <p>Connect the power supply or cord properly.</p> <p>Replace the fuse or reset the circuit breaker.</p>
Dishwasher operates too long	Dishwasher is connected to cold water.	Check the water supply connection or water heater setting. (Heating cold water takes longer.)
Odor	<p>The previous cycle was stopped before completion and residual water remains in the dishwasher.</p> <p>There is food in the bottom of the unit or in the filter.</p> <p>Unwashed dishes are left in the unit for a long time.</p>	<p>Turn on the power, run the Cancel cycle option to remove the residual water, then run the Quick cycle using detergent but with the dishwasher empty.</p> <p>Clean the filter and the interior according to the "Care and Cleaning" section of the owner's manual.</p> <p>Run an empty cycle with detergent, or run an empty cycle with one cup of white vinegar in a dishwasher safe glass or bowl placed on the upper rack.</p> <p>(Vinegar is an acid, and with constant use it could damage your appliance.)</p>
Water remains in tub after completion of cycle	Drain hose is kinked or clogged.	Adjust hose or clear blockage.
Spots and filming on dishes	Low water temperature.	Water supply should be at least 120°F for best wash performance.
	Wrong amount of detergent used.	Use the recommended amount of detergent.
	Overloading.	Do not overload the dishwasher.
	Improper loading.	See the Using Your Dishwasher section.
	Insufficient water pressure.	Water pressure should be between 20 and 120 psi.
	Insufficient detergent.	Add the recommended amount of detergent. See the Using Your Dishwasher section.
Rinse aid dispenser is empty.	Refill rinse aid dispenser.	
<p>Extremely hard water</p> <p>The best way to eliminate spots on your dishes is to install a whole house water softener in your home. If a water softener is already installed or you do not plan on installing one, try adding the "Extra Rinse" option as part of the wash cycle to help minimize this condition. To add an extra rinse to the cycle, select the wash cycle and then press the RINSE button.</p> <p>NOTE: Selecting "Extra Rinse" will increase cycle times and water usage.</p> <p>To remove hard water build up in the tub</p> <p>Remove all dishes, silverware and the silverware holder from the dishwasher. Only the racks should remain in the tub.</p> <p>Fill a measuring cup with white vinegar, approximately 14~17 ounces (400~500mL), and place the measuring cup in the lower rack.</p> <p>Run a Normal cycle and select Extra Rinse R⁺ and Sanitary 160°F then close the door.</p> <p>DO NOT USE DETERGENT</p> <p>NOTE: Make sure to let the dishwasher complete the entire cycle. This cleaning method should only be done as needed.</p>		

If you have followed this troubleshooting guide and the problem persists, or if the problem you are experiencing is not listed here, please call LGE Customer Service at 1-800-243-0000(US), 1-888-542-2623(Canada).

BEFORE CALLING FOR SERVICE

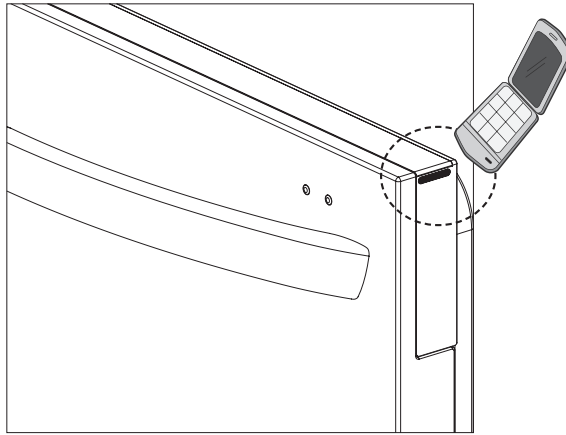
Problem	Possible Causes	Solutions
Food soil remains on dishes.	Improper cycle selection.	Select correct cycle based on soil level and type of dishware being washed.
	Water temperature too low.	Check water supply connection or water heater setting.
	Dish washing detergent was not used.	Use recommended detergent.
	Low inlet water pressure.	Water pressure should be between 20 and 120 psi.
	Water jet holes on spray arms blocked.	Clean the spray arms.
	Improper loading of dishes	Make sure dishes do not block spray arm rotation or interfere with detergent dispenser.
	Filters are clogged.	Clean filters.
Noise	Some level of noise is normal during operation.	Detergent cover opening. Drain pump at the beginning of drain cycle.
	The dishwasher is not level.	Adjust leveling feet.
	Nozzle arm knocking against dishes.	Reposition the dishes.
Cloudiness on glassware.	Combination of excessive detergent and soft water.	Use less detergent and use a rinse aid to minimize the problem.
Black or gray marks on dishes.	Aluminum items rubbing dishes during cycle.	Reposition the dishes.
Yellow or brown film on inside of surfaces of dishwasher.	Coffee or tea stains.	Eliminate the stain by using a stain removal product.
Dishes don't dry.	Rinse agent dispenser empty.	Check and refill the rinse agent dispenser if empty.
Lamps do not illuminate.	Power is not connected.	Connect power supply.
Sprays arms do not rotate smoothly.	Holes of spray arms are blocked by food particles.	Clean the holes of spray arms.
Upper rack is crooked.	Rack is poorly adjusted.	See the Height Adjustable Upper Rack section.
Dishwasher continuously beeps when the door is opened, during or right after a cycle has completed.	The contents of the dishwasher are hot and care should be used when placing your hands inside the dishwasher.	Close the door until the dishwasher and dishes have cooled down. The beeping will go away if the door is closed or the interior temperature has been cooled.
IE Error	Water inlet problem.	Check for a clogged, kinked or frozen water inlet hose.
		Check water supply.
OE Error	Drainage Problem.	Check for a clogged, kinked or frozen drain hose.
	Air gap or disposer is clogged	Clean air gap or disposer
	Filters are clogged.	Clean Filters
FE Error	Excessive Water supplied.	Please call an Authorized Service Center or LGE Customer Service at 1-800-243-0000 (US) 1-888-542-2623 (Canada)
E1 or AE Error	Water leakage problem.	
HE Error	Heater circuit failure.	
tE Error	Thermistor failure or very high inlet water temperature (over 194°F)	
LE Error	Motor Trouble	

If you have followed this troubleshooting guide and the problem persists, or if the problem you are experiencing is not listed here, please call LGE Customer Service at 1-800-243-0000(US), 1-888-542-2623(Canada).

SMART DIAGNOSIS™ SYSTEM

Should you experience any problems with your dishwasher, it has the capability of transmitting data to your Smart Phone using the LG Smart Laundry & DW Application or via your telephone to the LG call center.

Smart Diagnosis cannot be activated unless your dishwasher is turned on by touching the POWER button. If your dishwasher is unable to turn on, then troubleshooting must be done without using Smart Diagnosis.



Smart Diagnosis Using Your Smart Phone

1. Download the LG Smart Laundry & DW application on your smart phone.
2. Open the LG Smart Laundry & DW application on your smart phone.
3. Press the **Smart Diagnosis** button on your smart phone.
4. Press the **Diagnose** button on your smart phone.
5. Press the **Dishwasher** button on your smart phone.
6. Press the **RECORD** button on the smart phone and then hold the mouth piece of the smart phone near the speaker located on the side panel of the dishwasher. Hold the phone no more than one inch (but not touching) the machine.
7. Press and hold the **Rinse** button on the dishwasher display for three seconds.

! NOTE

After three seconds, the display will change from 0:22 to 6 and then start counting down the remaining time.

8. With the phone held in place, press the **Smart Diagnosis** button on the phone.

! NOTE

Do not touch any other buttons or icons on the display screen.

9. Keep the phone in place until the tone transmission has finished. This takes about 6 seconds and the display will count down the time.
10. When the recording is complete, view the diagnosis by pressing the **Next** button on the phone.

Smart Diagnosis Through the Call Center

1. Call the LG call center at: (LG U.S.) 1-800-243-0000 (LG Canada) 1-888-542-2623.
2. When instructed to do so by the call center agent, hold the mouthpiece of your phone near the hole located on the side panel. Hold the phone no more than one inch (but not touching) the machine.

! NOTE

Do not touch any other buttons or icons on the display screen.

3. Press and hold the Rinse button on the display screen for three seconds.
4. Keep the phone in place until the tone transmission has finished. This takes about 6 seconds and the display will count down the time.
5. Once the countdown is over and the tones have stopped, resume your conversation with the call center agent, who will then be able to assist you in using the information transmitted for analysis.

! NOTE

Smart Diagnosis is a troubleshooting feature designed to assist, not replace, the traditional method of troubleshooting through service calls. The effectiveness of this feature depends upon various factors, including, but not limited to, the reception of the cellular phone being used for transmission, any external noise that may be present during the transmission, and the acoustics of the room where the machine is located. Accordingly, LG does not guarantee that Smart Diagnosis would accurately troubleshoot any given issue.

DISHWASHER LIMITED WARRANTY (USA)

Should your LG Dishwasher prove to be defective in material or workmanship under normal use during the warranty period listed below, effective from the date of original consumer purchase of the product, LG Electronics will replace the defective part(s). Replacement parts will meet intended fit and function of the original part. Replacement parts are warranted for the unexpired portion of the original warranty period. This limited warranty is good only to the original purchaser of the product and effective only when used in the United States of America.

WARRANTY PERIOD	
For the Period of:	LG Will Replace:
One year from date of original purchase	Any part of the Dishwasher which fails due to a defect in materials or workmanship. During this full one-year of original purchase warranty, LG will also provide, free of charge , all labor and on-site service to replace the defective part.
Five years from date of original purchase	Electronic control board and dishwasher rack which fails due to a defect in materials or workmanship. During this five-year parts warranty , you will be responsible for any labor or on-site service costs.
Ten years from date of original purchase	Direct Drive motor which fails due to a defect in materials or workmanship. During this ten-year warranty , you will be responsible for any labor or on-site service costs.
Limited Lifetime	Stainless steel door liner and tub (as long as owned by the original purchaser) which fails due to a defect in materials or workmanship. During this limited lifetime parts warranty , you will be responsible for any labor or on-site service costs
Replacement units and repair parts may be new or factory remanufactured. Replacement units and repair parts are warranted for the remaining portion of the original unit's warranty period	

No other warranty is applicable to this product. THIS WARRANTY IS IN LIEU OF ANY OTHER WARRANTY, EXPRESS OR IMPLIED, INCLUDING WITHOUT LIMITATION, ANY WARRANTY OF MERCHANTABILITY OR FITNESS FOR A PARTICULAR PURPOSE. TO THE EXTENT ANY IMPLIED WARRANTY IS REQUIRED BY LAW, IT IS LIMITED IN DURATION TO THE EXPRESS WARRANTY PERIOD ABOVE. NEITHER THE MANUFACTURER NOR ITS U.S. DISTRIBUTOR SHALL BE LIABLE FOR ANY INCIDENTAL, CONSEQUENTIAL, INDIRECT, SPECIAL, OR PUNITIVE DAMAGES OF ANY NATURE, INCLUDING WITHOUT LIMITATION, LOST REVENUES OR PROFITS, OR ANY OTHER DAMAGE WHETHER BASED IN CONTRACT, TORT, OR OTHERWISE. Some states and/or territories do not allow the exclusion or limitation of incidental or consequential damages or limitations on how long an implied warranty lasts, so the above exclusion or limitation may not apply to you. This warranty gives you, the original purchaser, specific legal rights and you may also have other rights that vary from state to state or territory to territory.

THIS LIMITED WARRANTY DOES NOT COVER:

- Service calls to your home for delivery or pick-up, installation, instruction, replacement of house fuses, connection of house wiring or plumbing, or to correct unauthorized repairs.
- Failure of product to perform during power failures and interruptions or inadequate electrical service.
- Damage caused by transportation or handling.
- Damage caused to the product by accident, vermin, lightning, winds, fire, floods, or acts of God.
- Damages caused by leaky or broken water pipes, frozen water pipes, restricted drain lines, or inadequate or interrupted water supply.
- Damages caused by inadequate supply of air.
- Damages caused by operating the product in a corrosive atmosphere.
- Repairs when your LG product is used in other than normal, single family household use or contrary to the instructions described in the product User's Guide.
- Damage resulting from accident, alteration, misuse, abuse, or improper installation, repair, or maintenance. Improper repair includes the use of parts not approved or specified by LG.
- Normal maintenance as described in the User's Guide, such as cleaning or replacing filters, cleaning coils, etc.
- Use of accessories or components that are not compatible with this product.
- Products with altered or removed serial numbers.
- Changes in the appearance of the product that do not affect product performance.
- Service costs directly associated with the cleaning or repair of external plumbing, including the drain air gap or disposer.
- Increases in utility costs and additional utility expenses.

The cost of repair or replacement under these excluded circumstances shall be borne by the consumer.

For complete warranty details and customer assistance, please call or visit our website:

Call 1-800-243-0000 (24 hours a day, 365 days a year) and select the appropriate option from the menu, or visit our website at <http://us.lgservice.com>

Or by mail: LG Customer Information Center:

P. O. Box 240007
201 James Record Road
Huntsville, Alabama 35813
ATTN: CIC

Product Registration Information:

Model: _____

Serial Number: _____

Date of Purchase: _____

Dealer Name: _____

DISHWASHER LIMITED WARRANTY (CANADA)

WARRANTY: Should your LG Dishwasher ("Product") fail due to a defect in material or workmanship under normal home use during the warranty period set forth below, LG Canada will at its option repair or replace the Product upon receipt of proof of original retail purchase. This warranty is valid only to the original retail purchaser of the product and applies only to a Product distributed in Canada by LG Canada or an authorized Canadian distributor thereof. The warranty only applies to Products located and used within Canada.

WARRANTY PERIOD: (Note: If the original date of purchase can not be verified, the warranty will begin sixty (60) days from the date of manufacture)		
Dishwasher	Extended Component Warranty (Parts Only) (Consumer will be charged for Labor after One (1) year from the date of purchase)	
One (1) year from the date of original retail purchase	Five (5) years from the date of original retail purchase	Ten (10) years from the date of original retail purchase
Parts / Labor (internal/functional parts only)	PCB, Rack, Stainless Steel Door Liner, Tub	DD Motor

- ▶ Replacement products and parts are warranted for the remaining portion of the original warranty period or ninety (90) days, whichever is greater.
- ▶ Replacement products and parts may be new or remanufactured.
- ▶ LG Authorized Service Center warranties their repair work for thirty (30) days.

LG CANADA'S SOLE LIABILITY IS LIMITED TO THE WARRANTY SET OUT ABOVE. EXCEPT AS EXPRESSLY PROVIDED ABOVE, LG CANADA MAKES NO AND HEREBY DISCLAIMS ALL OTHER WARRANTIES AND CONDITIONS RESPECTING THE PRODUCT, WHETHER EXPRESS OR IMPLIED, INCLUDING, BUT NOT LIMITED TO, ANY IMPLIED WARRANTY OR CONDITION OF MERCHANTABILITY OR FITNESS FOR A PARTICULAR PURPOSE, AND NO REPRESENTATIONS SHALL BE BINDING ON LG CANADA. LG CANADA DOES NOT AUTHORIZE ANY PERSON TO CREATE OR ASSUME FOR IT ANY OTHER WARRANTY OBLIGATION OR LIABILITY IN CONNECTION WITH THE PRODUCT. TO THE EXTENT THAT ANY WARRANTY OR CONDITION IS IMPLIED BY LAW, IT IS LIMITED TO THE EXPRESS WARRANTY PERIOD ABOVE. LG CANADA, THE MANUFACTURER OR DISTRIBUTOR SHALL NOT BE LIABLE FOR ANY INCIDENTAL, CONSEQUENTIAL, SPECIAL, DIRECT OR INDIRECT DAMAGES, LOSS OF GOODWILL, LOST PROFITS, PUNITIVE OR EXEMPLARY DAMAGES OR ANY OTHER DAMAGE, WHETHER ARISING DIRECTLY OR INDIRECTLY FROM ANY CONTRACTUAL BREACH, FUNDAMENTAL OR OTHERWISE, OR FROM ANY ACTS OR OMISSIONS, TORT, OR OTHERWISE. This warranty gives you specific legal rights. You may have other rights which may vary from province to province depending on applicable provincial laws. Any term of this warranty that negates or varies any implied condition or warranty under provincial law is severable where it conflicts with provincial law without affecting the remainder of this warranty's terms.

THIS LIMITED WARRANTY DOES NOT COVER:

1. Service trips to deliver, pick up, or install the product; instructing a customer on operation of the product; repair or replacement of fuses or correction of wiring or plumbing, or correction of unauthorized repairs/installation.
2. Failure of the product to perform during power failures and interruptions or inadequate electrical service.
3. Damage caused by leaky or broken water pipes, frozen water pipes, restricted drain lines, inadequate or interrupted water supply or inadequate supply of air.
4. Damage resulting from operating the Product in a corrosive atmosphere or contrary to the instructions outlined in the Product owner's manual.
5. Damage to the Product caused by accidents, pests and vermin, lightning, wind, fire, floods, or acts of God.
6. Damage resulting from the misuse, abuse, improper installation, repair, or maintenance of the Product. Improper repair includes use of parts not approved or specified by LG Canada.
7. Damage or product failure caused by unauthorized modification or alteration, or use for other than its intended purpose, or resulting from any water leakage due to improper installation.
8. Damage or Product failure caused by incorrect electrical current, voltage, or plumbing codes, commercial or industrial use, or use of accessories, components, or cleaning products that are not approved by LG Canada.
9. Damage caused by transportation and handling, including scratches, dents, chips, and/or other damage to the finish of your product, unless such damage results from defects in materials or workmanship and is reported within one (1) week of delivery.
10. Damage or missing items to any display, open box, discounted, or refurbished Product.
11. Products with original serial numbers that have been removed, altered, or cannot be readily determined. Model and Serial numbers, along with original retail sales receipt, are required for warranty validation.
12. Increases in utility costs and additional utility expenses.
13. Replacement of light bulbs, filters, or any consumable parts.
14. Repairs when your Product is used in other than normal and usual household use (including, without limitation, commercial use, in offices or recreational facilities) or contrary to the instructions outlined in the Product owner's manual.
15. Costs associated with removal of the Product from your home for repairs.
16. The removal and reinstallation of the Product if it is installed in an inaccessible location or is not installed in accordance with published installation instructions, including the Product owner's and installation manuals.
17. Accessories to the Product such as door bins, drawers, handles, shelves, etc.. Also excluded are parts besides those that were originally included with the Product.

All costs associated with the above excluded circumstances shall be borne by the consumer.

For complete warranty details and customer assistance, please call or visit our website:

Call 1-888-542-2623 (24 hours a day, 365 days a year) and select the appropriate option from the menu, or visit our website at <http://www.lg.ca>

Write your warranty information below:

Product Registration Information: _____

Model: _____

Serial Number: _____

Date of Purchase: _____



MANUAL DEL PROPIETARIO LAVAVAJILLAS

Lea detenidamente este manual del propietario antes de poner en funcionamiento el producto y consérvelo a mano para referencia futura.

LDT9965BD

TABLA DE CONTENIDOS

3 INSTRUCCIONES DE SEGURIDAD IMPORTANTES

- 3 Precauciones de seguridad básicas
- 4 Seguridad eléctrica
- 5 Antes de usar el lavavajillas
- 5 Especificaciones

6 PIEZAS Y CARACTERÍSTICAS

- 6 Características
- 7 Piezas
- 8 Panel de control
- 10 Tabla de opciones de ciclos
- 10 Íconos
- 11 Tabla de selección de ciclost

12 INSTRUCCIONES DE FUNCIONAMIENTO

- 12 Comienzo rápido
- 13 Carga de la bandeja inferior
- 14 Ajuste de las puntas separadoras inferiores
- 15 Carga del cesto de cubiertos
- 16 Carga de la bandeja superior
- 16 Ajuste de las puntas separadoras superiores
- 17 Bandeja superior con altura ajustable
- 18 Carga de la bandeja para cubiertos (en algunos modelos)
- 18 Placa Con Altura Ajustable (en algunos modelos)
- 19 Cómo agregar detergente en el dispensador
- 20 Cómo agregar abrillantador en el dispensador

21 CUIDADO Y LIMPIEZA

- 21 Limpieza de los filtros
- 22 Limpieza de partes metálicas
- 22 Limpieza del brazo rociador inferior
- 22 Limpieza del brazo rociador superior
- 23 Limpieza del brazo rociador extremo
- 23 Mantenimiento y almacenamiento estacional

24 PREGUNTAS FRECUENTES

26 SOLUCIÓN DE PROBLEMAS

- 26 Antes de llamar al servicio técnico

28 SISTEMA SMART DIAGNOSIS™

- 28 SISTEMA SMART DIAGNOSIS™

29 GARANTÍA

- 29 Información de registro del producto

GRACIAS

Felicitaciones por su compra y bienvenido a la familia LG. Su nuevo Lavavajillas LG combina un funcionamiento silencioso y eficiente con la más avanzada tecnología de limpieza. Si siguelas instrucciones de funcionamiento y cuidado proporcionadas en este manual, su lavavajillas le brindará un servicio confiable por muchos años.

INSTRUCCIONES DE SEGURIDAD IMPORTANTES

LEA TODAS LAS INSTRUCCIONES ANTES DE UTILIZAR EL LAVAVAJILLAS

Su seguridad y la de otros son muy importantes.

Tanto en este manual como en el equipo hemos proporcionado muchos mensajes de seguridad importantes. Siempre debe leer y cumplir todos los mensajes de seguridad.



Este es el símbolo de alerta de seguridad. Este símbolo le advierte posibles riesgos que pueden ocasionar daños en el artefacto o lesiones físicas graves, incluso la muerte.

El símbolo de alerta de seguridad siempre estará acompañado de las palabras "ADVERTENCIA" o "PRECAUCIÓN", seguido de un mensaje de seguridad importante. Estas palabras significan:

⚠️ ADVERTENCIA Indicates the possibility of serious bodily harm or death.

⚠️ PRECAUCIÓN Indicates the possibility of injury or damage to property.

PRECAUCIONES DE SEGURIDAD BÁSICAS

⚠️ ADVERTENCIA Para disminuir el riesgo de incendios, descargas eléctricas o lesiones a las personas que usen este artefacto, siga las precauciones básicas, incluidas las siguientes:

Este manual contiene información muy importante con respecto a la instalación, el uso y el mantenimiento de su lavavajillas. El fabricante no puede responsabilizarse por las lesiones o daños y perjuicios originados por la omisión en la observación de estas instrucciones de precaución y seguridad.

- Lea atentamente todas las instrucciones antes de usar el lavavajillas.
- Utilice el lavavajillas únicamente para la función para la que fue diseñado.
- Sólo use detergentes y agentes de enjuague recomendados para lavavajillas. Mantenga los detergentes para lavavajillas y los aditivos fuera del alcance de los niños.
- Este artefacto no fue diseñado para ser utilizado por niños.
- Cuando cargue objetos para su lavado:
 - 1) Cargue los objetos cortantes de tal forma que no dañen el sello de la puerta.
 - 2) Cargue los cuchillos filosos con los mangos hacia arriba para disminuir el riesgo de lesiones personales cuando coloque las manos en el lavavajillas.
- No lave objetos plásticos en el lavavajillas a menos que tengan la etiqueta "Apto para lavavajillas" o equivalente. Para cargar objetos plásticos que no estén etiquetados, consulte las recomendaciones del fabricante.
- No ponga en funcionamiento el lavavajillas a menos que todos los paneles de cerramiento estén en su debido lugar.
- No utilice indebidamente los controles.
- No maltrate ni se siente o pare sobre la puerta o las bandejas del lavavajillas.
- Para disminuir los riesgos de lesiones, no permita que los niños jueguen con o cerca del lavavajillas.
- Bajo ciertas condiciones, podría producirse gas hidrógeno en un sistema de agua caliente que no ha sido utilizado por dos semanas o más. EL GAS HIDRÓGENO ES EXPLOSIVO. Si el sistema de agua caliente no ha sido usado por tal período de tiempo, abra todas las llaves de agua y deje que fluya por varios minutos. Esto eliminará el gas hidrógeno acumulado. Dado que el gas hidrógeno es inflamable, no fume ni use ninguna llama abierta durante este proceso.
- Extraiga la puerta del compartimiento de lavado al desechar un lavavajillas usado.

PRECAUCIONES DE SEGURIDAD BÁSICAS

⚠ ADVERTENCIA Para disminuir el riesgo de incendios, descargas eléctricas o lesiones a las personas que utilicen este artefacto, siga las precauciones básicas, incluidas las siguientes:

Para conectar el lavavajillas de forma permanente:

Este artefacto debe estar conectado a un sistema permanente de cableado de metal con descarga a tierra, o bien debe instalarse un conductor de puesta a tierra del equipo con los conductores de circuito y conectarse a una terminal de puesta a tierra del equipo o a un extremo del dispositivo. Consulte con un electricista calificado.

Sugerencias para evitar riesgos:

No aplique fuerza descendente excesiva en la puerta del lavavajillas abierta antes de instalarla, dado que esto podría ocasionar daños a la unidad o que ésta se caiga. No use el lavavajillas antes de que completar su instalación conforme a las "Instrucciones de instalación".

SEGURIDAD ELÉCTRICA

⚠ ADVERTENCIA

Riesgo de descarga eléctrica

La omisión de estas instrucciones puede resultar en la muerte, incendio, o descarga eléctrica.

- El lavavajillas DEBE estar conectado a tierra. Conecte el cable a tierra al conector a tierra de color verde en la caja de conexiones eléctricas.
- No utilice cables de extensión con este artefacto.
- El lavavajillas está diseñado para ser utilizado con corriente estándar doméstica (120 V CA, 60Hz). Antes de conectar el lavavajillas, asegúrese de que la salida o el cable esté conectado a tierra de forma adecuada y que esté polarizado por interruptores de circuito o fusibles. Una conexión a tierra inadecuada podría ocasionar una descarga eléctrica o el malfuncionamiento del artefacto. Consulte con un electricista calificado.
- No instale ni almacene el lavavajillas en un lugar donde esté expuesto a condiciones climáticas. La falta de observación de esta precaución podría resultar en descarga eléctrica, incendio, mal funcionamiento y/o deformación del lavavajillas.
- No dañe ni coloque objetos pesados sobre el cable tomacorriente del dispositivo. No utilice el lavavajillas si el cable tomacorriente está dañado. El daño del cable tomacorriente podría causar incendios o descargas eléctricas. Consulte con un electricista calificado.
- No agarre el cable tomacorriente ni toque los controles del lavavajillas con las manos húmedas. No utilice el lavavajillas si el cable o enchufe está dañado, y no enchufe el lavavajillas a un tomacorriente dañado. No seguir estas instrucciones podría resultar en una descarga eléctrica.
- El desmontaje y la reparación del equipo deben ser realizados por personas de mantenimiento experimentadas. El desmontaje o la reparación inadecuados podrían generar fallas en el producto o descargas eléctricas.

ANTES DE USAR EL LAVAVAJILLAS

Antes de usar el lavavajillas, lea las "Instrucciones de seguridad importantes".

La temperatura del suministro de agua debería ser de un mínimo de 120 °F (49 °C) para un mejor lavado y duración razonable del ciclo.

Por este motivo, utilice sólo el suministro de agua caliente. Además, es importante que el lavavajillas se cargue según las instrucciones para lograr una limpieza efectiva. Cuando cargue el lavavajillas, asegúrese de retirar los elementos insolubles, como ser huesos, palillos y restos de papel.

Cuando cargue el lavavajillas, siga las siguientes instrucciones generales:

1. Coloque los objetos más profundos en un ángulo para ayudar a que corra el agua y para contribuir con la velocidad del proceso de secado.
2. Retire los restos sólidos o quemados de la vajilla antes de cargarla en el lavavajillas.
3. Cargue sólo objetos que sean aptos para lavavajillas.

! NOTA

No cargue utensilios que no sean resistentes al calor, que tengan decoraciones en metal, etc.

GUARDE ESTAS INSTRUCCIONES

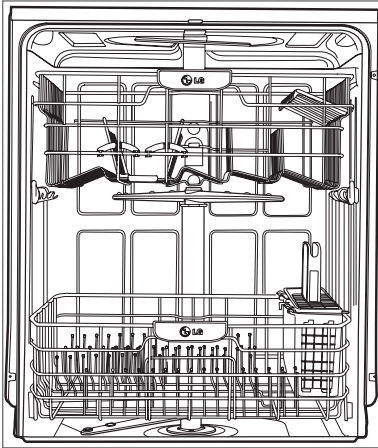
ESPECIFICACIONES

- Suministro de energía: 120 V, sólo 60 Hz AC, interruptor de circuito mínimo de 15 A
- Presión de agua: 20–120 psi (140–830 kPa)
- Tamaño (ancho x profundidad x altura): 23 3/4" x 24 5/8" x 33 1/2" (603 mm x 625 mm x 851 mm)
- Temperatura del agua de entrada: un mínimo de 120 °F (49 °C)
- Peso del producto: - LDT9965 : 100.5 lbs.(45.6 kg)
- La apariencia y las especificaciones contenidas en este manual están sujetas a variaciones sin previo aviso.

PIEZAS Y CARACTERÍSTICAS

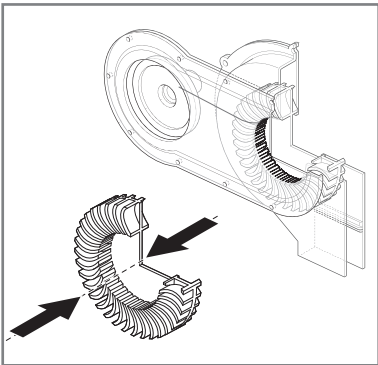
CARACTERÍSTICAS

AMPLIA CAPACIDAD



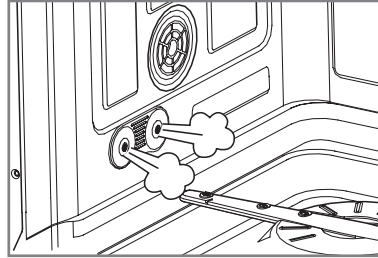
Los lavavajillas LG le permiten cargar objetos muy grandes, tanto en la bandeja superior como en la inferior. El compartimiento alto proporciona una capacidad general extra y espacio suficiente para acomodar vajilla de gran tamaño. Se pueden cargar objetos extra grandes (máx. 14 pulgadas) en la bandeja inferior si se levanta la bandeja superior.

SISTEMA DE SECADO HÍBRIDO



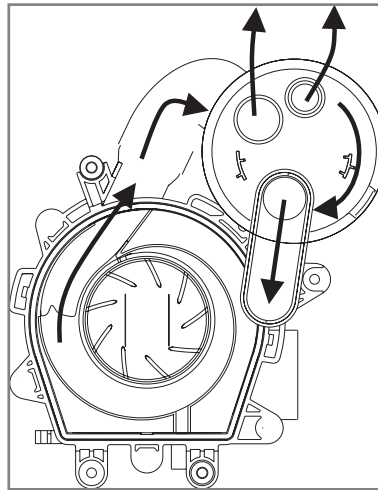
Este sistema seca la vajilla de forma efectiva sin usar elementos de calor que aumentan el consumo de energía.

LAVADO A VAPOR (en algunos modelos)



La tecnología a vapor proporciona un rendimiento de limpieza superior a los sistemas de lavado tradicionales. El vapor aporta el cuidado delicado más eficiente en el consumo de energía para su vajilla fina y cubiertos.

SISTEMA DE ASPERSIÓN VARIABLE



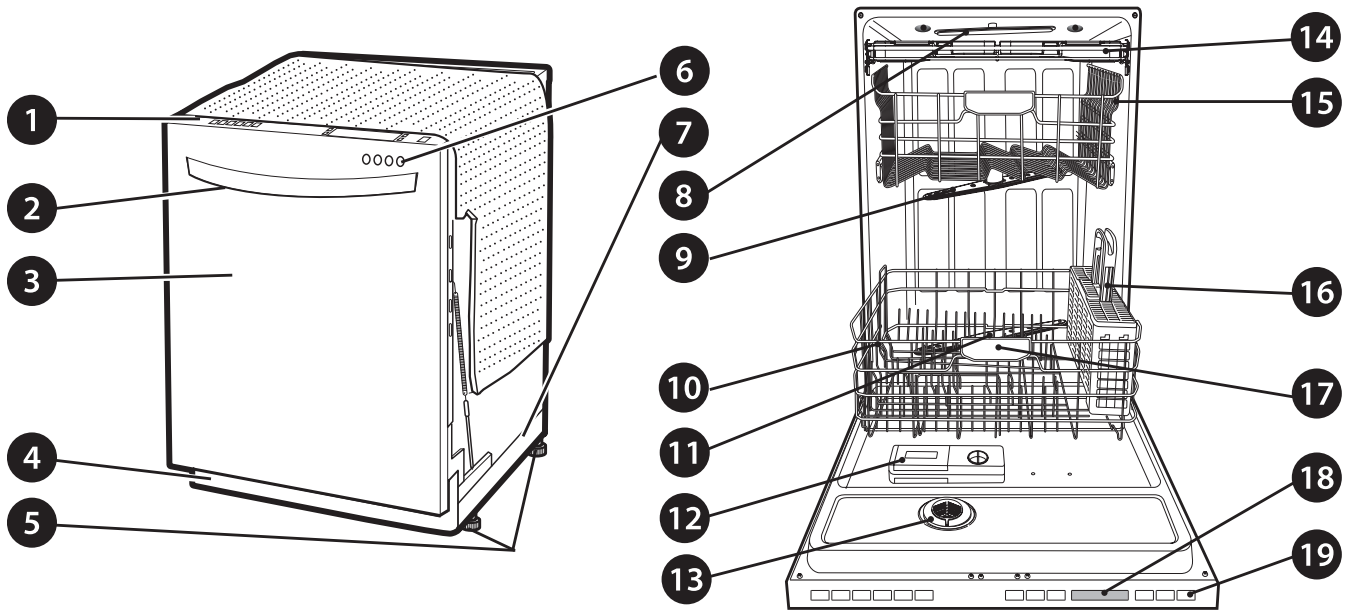
Dado que la aspersión de agua se alterna entre las bandejas superior e inferior, toda la potencia proveniente del motor se dirige hacia una bandeja por vez. Esto concentra toda la potencia de limpieza del motor en cada bandeja por turno.

BOTONES TÁCTILES CON LUZ

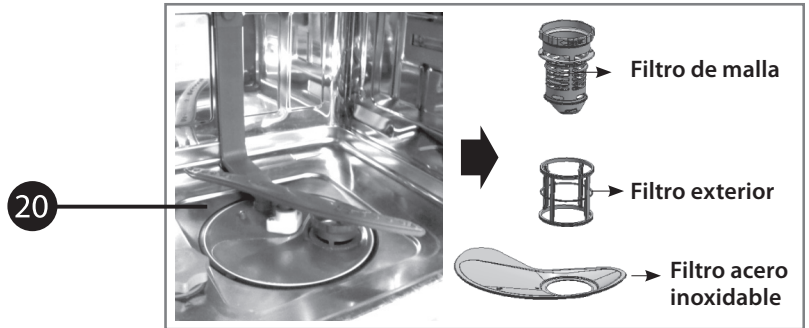


Los botones luminosos táctiles en el panel de control hacen que las selecciones sean fáciles y convenientes.

PIEZAS



- 1. PANEL DE CONTROL
- 2. MANIJA DE LA PUERTA
- 3. CUBIERTA FRONTAL
- 4. CUBIERTA INFERIOR
- 5. PIES DE NIVELACIÓN
- 6. PANTALLA FRONTAL (SIGNALIGHT™)
- 7. BASE



Signalight (luz indicadora)

Cuando un ciclo está en funcionamiento, la Signalight (luz indicadora) se iluminará en la fase activa.

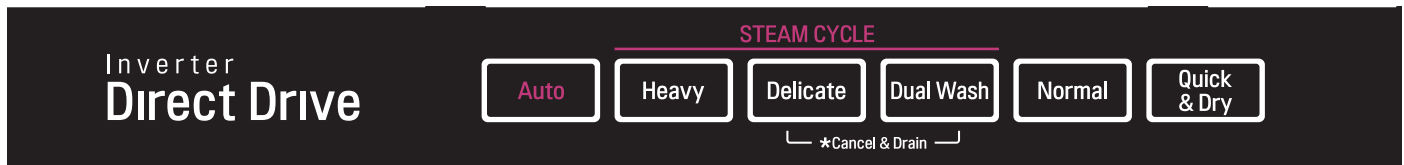
- **Modelo con 4 LEDs:** WASH (LAVADO) – RINSE (ENJUAGUE) – DRY (SECADO) – CLEAN (LIMPIO)
- **Modelos con 2 LEDs:** OPERATING (EN FUNCIONAMIENTO) – CLEAN (LIMPIO)
- **Modelos con 1 LED:** OPERATING (EN FUNCIONAMIENTO) (Luz parpadeante) / CLEAN (LIMPIO) (Luz fija)

Una vez que el ciclo haya finalizado, la luz CLEAN se encenderá durante cuatro minutos.

Para mantener encendida la luz "CLEAN" (LIMPIO) hasta que se abra la puerta, conecte la energía y luego mantenga presionado los botones "Extra Dry" (Extra Seco) y "Half Load" (Media Carga) en el panel de control de forma simultánea hasta que la señal de "Off" (Apagado) u "On" (Encendido) aparezca en pantalla. El lavavajillas recordará este ajuste hasta que se lo modifique manualmente.

- 8. BRAZO ROCIADOR EXTREMO
- 9. BRAZO ROCIADOR SUPERIOR
- 10. BOQUILLA DE VAPOR (EN MODELOS DE VAPOR)
- 11. BRAZO ROCIADOR INFERIOR
- 12. DETERGENTE Y DISPENSADOR DE ABRILLANTADOR
- 13. CUBIERTA DE VENTILACIÓN DE SECADO
- 14. BANDEJA PARA CUBIERTOS (EN ALGUNOS MODELOS)
- 15. BANDEJA SUPERIOR
- 16. CESTO DE CUBIERTOS
- 17. BANDEJA INFERIOR
- 18. PANTALLA SUPERIOR
- 19. BOTÓN "POWER" (ENCENDIDO)
- 20. SISTEMA DE FILTRADO

PANEL DE CONTROL



Ciclos

Seleccione el ciclo deseado.

Auto

Este ciclo detecta el tamaño de la carga, la cantidad de suciedad y si se trata de suciedad resistente. El ciclo se optimiza para lograr los mejores resultados de limpieza.

Heavy (RESISTENTE)

Este ciclo se utiliza para vajilla con suciedad resistente. Por defecto, Resistente utiliza la intensidad más alta y la fuerza del vapor para eliminar la suciedad más resistente.

Delicate (DELICADO)

Este ciclo agrega una fuerza suave de vapor para regular la potencia de limpieza del ciclo delicado. Este ciclo está diseñado para limpiar elementos delicados de forma efectiva, como por ejemplo porcelana fina y copas.

Dual Wash (DOBLE LAVADO)

Este ciclo lava las bandejas superiores e inferiores a diferentes intensidades de aspersión. El ajuste predeterminado para este ciclo lava la bandeja inferior con una fuerte intensidad de aspersión y la bandeja superior con una intensidad más suave. Esto proporciona un rendimiento óptimo de limpieza para cargas mixtas, incluida la porcelana fina y las copas.

Nomal

Este ciclo es para las cargas diarias, de suciedad normal.

Quick & Dry (RÁPIDO Y SECO)

Este es un ciclo abreviado diseñado para lavar y secar vajilla recién usada o cargas con poca suciedad. Durante este ciclo, los dos brazos rociadores funcionarán al mismo tiempo.

CHIME ON/OFF (ALARMA ENCENDIDA/APAGADA)

Para activar o desactivar la alarma, primero debe encender el lavavajillas.

Mantenga presionado los Botones "Delicate" y "Quick&Dry" de manera simultánea durante aproximadamente tres segundos.

CANCELAR

Para cancelar un ciclo, abra la puerta y mantenga presionados los Botones "Delicate" y "Dual Wash" a la vez durante aproximadamente tres segundos. La bomba de desagüe se desactivará y se cancelará el ciclo. En la pantalla aparecerá "dr" y el lavavajillas desagotará el agua. Luego de que se desagote el lavavajillas, la electricidad se apagará. Si conecta la electricidad, pero no selecciona ningún ciclo, el lavavajillas se apagará en cuatro minutos.

Cycle Options

(Consulte la sección de panel de control en la página siguiente)

Elija el ciclo deseado y luego seleccione las opciones para ese ciclo.

Extra Dry (EXTRA SECO)

Seleccione la opción "Extra Dry" para un mejor rendimiento de secado. Esta opción agrega 60 minutos de tiempo de secado extra al ciclo. El botón "Extra Dry" se iluminará cuando se haya seleccionado la opción.

Rinse (ENJUAGUE)

Presionar repetidamente el botón "Rinse" seleccionará la opción de enjuague deseada. Las luces "Sanitary", "Extra Rinse", o "Sanitary" y "Extra Rinse" se encenderán en la parte izquierda del botón de la pantalla.

Sanitary (160°F)

Este enjuague de alta temperatura higieniza la vajilla y la cristalería cumpliendo con el Estándar NSF/ANSI 184 para lavavajillas domésticos. Los lavavajillas certificados no son aptos para establecimientos alimentarios autorizados.

Extra Rinse (EXTRA ENJUAGUE) (R*)

El símbolo "Extra Rinse" indica que se agregó un enjuague extra al ciclo. Un enjuague extra puede ayudar a reducir engran medida manchas de agua dura en la vajilla. Para agregar un enjuague extra, presione el botón "Rinse" repetidamente hasta que aparezca el símbolo "Extra Rinse" en la pantalla.

Rinse Only (SÓLO ENJUAGUE)

Este es un ciclo rápido para la vajilla que no se lavará de inmediato. Este ciclo enjuagará la vajilla que tenga suciedad en exceso para ablandar los residuos adheridos. Enjuagar la vajilla evitará la aparición de olores en el lavavajillas. No debe utilizarse detergente. Para seleccionar el ciclo "Rinse Only", encienda el lavavajillas y presione una vez el botón "Rinse" sin presionar ningún otro botón de ciclos. El ciclo "Rinse Only" no está disponible con ningún otro ciclo.

PANEL DE CONTROL



Half Load (MEDIA CARGA)

Para cargas pequeñas, puede utilizar sólo la bandeja superior o la bandeja inferior para ahorrar energía. Cada vez que presione el botón "Half Load", se indicará utilizar sólo la bandeja superior o sólo la bandeja inferior.

Delay Start (INICIO RETARDADO)

La función "Delay Start" le permite retrasar el comienzo de un ciclo seleccionado. Cada vez que se presiona el botón "Delay Start", el tiempo de retraso aumentará una hora. El tiempo de retraso de la iniciación puede establecerse de 1 a 24 horas, en incrementos de una hora.

High Temp ON/OFF (Temp alta ENCENDIDA/APAGADA)

Eleva la temperatura principal de lavado para mejorar los resultados de limpieza.

Mantenga presionado los Botones "Extra Dry" y "Rinse" de manera simultánea durante aproximadamente tres segundos.

Child Lock (BLOQUEO INFANTIL)

La función "CHILD LOCK" ayuda a evitar que se cambien los ajustes durante el ciclo. La selección de esta función bloquea todos los botones, excepto el botón "POWER" en el panel de control. Esta función no bloquea la puerta.

Para activar el bloqueo infantil:

1. Abra la puerta del lavavajillas.
2. Presione el botón "POWER".
3. Seleccione el ciclo (y las opciones deseadas).
4. Mantenga presionado los botones "Rinse" y "High Temp" durante aproximadamente tres segundos. El indicador "Child Lock" se iluminará en la pantalla una vez que esté activado.
5. Cierre la puerta para dar inicio al ciclo.

Digital Display (PANTALLA DIGITAL)

"Digital Display" en el panel de control muestra el tiempo ESTIMATIVO del ciclo. Cuando se enciende el lavavajillas, la pantalla está en blanco. Cuando se seleccionan el ciclo y las opciones, la pantalla muestra el tiempo estimado total para completar dichas selecciones. Durante el funcionamiento, la pantalla muestra el tiempo de funcionamiento estimado restante.

! NOTA

- El tiempo estimado que se muestra en la pantalla no incluye los retrasos del calentamiento del agua, etc.
- Si se selecciona "Delay Start" (INICIO RETARDADO), la pantalla muestra el tiempo de retraso en horas.
- El tiempo puede variar dependiendo del nivel de suciedad de la carga.

ENERGY SAVING

La opción Energy Saving ahorra energía ya que utiliza menos agua. Esta opción únicamente debe utilizarse para vajillas con poca suciedad o suciedad media.

! NOTA

El símbolo "RINSE AID"  (ABRILLANTADOR) indica que el abrillantador necesita recargarse.

POWER (ENCENDIDO)

- Presione el botón "POWER" para encender el panel de control. Si no se selecciona ningún ciclo en el lapso de cuatro minutos, el lavavajillas se apagará.
- Luego de que el ciclo finaliza, la electricidad se corta automáticamente por cuestiones de seguridad y economía.
- En caso de sobrecarga de energía, pérdida de energía o alteración de cualquier tipo, aparecerá el indicador PF y la electricidad se cortará automáticamente por cuestiones de seguridad. Será necesario reiniciar el ciclo.

Smart Diagnosis

(DIAGNÓSTICO INTELIGENTE)



En caso de que su lavavajillas experimente cualquier problema, éste tiene la capacidad de transmitir información a su Smart Phone mediante la aplicación "LG Smart Laundry & DW", o al centro de atención al cliente de LG a través de su teléfono.

! ADVERTENCIA





El vapor puede causar quemaduras. Si abre la puerta durante la etapa de vapor de un ciclo, tenga cuidado con el área de la boquilla de vapor en el lado izquierdo del lavavajillas. El contacto con el vapor o con la boquilla de vapor podría causar quemaduras.

TABLA DE OPCIONES DE CICLOS

La siguiente guía de ciclos muestra los ajustes predeterminados y las opciones disponibles para cada ciclo.

Ciclo	Extra Dry (Extra Seco)	Sanitary Rinse (Enjuague higiénico)	Extra Rinse (Extra Enjuague)	Sanitary (Higiénico)/ Extra Rinse (Enjuague extra)	Half Load (Media Carga)	Delay Start (Inicio Retardado)	Energy Saving	High Temp (Temp alta)
Auto	●	●	●	●	●	●		●
Heavy (RESISTENTE)	●	●	●	●	●	●		
Delicate (DELICADOS)	●	●	●	●	●	●	●	●
Dual Wash (DOBLE LAVADO)	●	●	●	●	●	●	●	
Normal	●	●	●	●	●	●	●	●
Quick & Dry (RÁPIDO Y SECO)	●					●		
Rinse (ENJUAGUE)						●		

ICONS

	Steam Cycle (Ciclo de Vapor)
	Extra Rinse (Extra Enjuague)
	Sani Rinse (Secado higiénico)
	Child Lock (Bloqueo Infantil)




	Indicador de abrillantador insuficiente
	Ciclo Energy Saving
	Indicador del tiempo del ciclo
Upper	Brazo rociador superior
Lower	Brazo rociador inferior

TABLA DE SELECCIÓN DE CICLOS

Ciclo	Lavar				Enjuagar			Secar	*Uso de agua	**Tiempo del ciclo
	Pre 1	Pre 2	Pre 3	Lavado principal	Enjuague 1	Enjuague 2	Enjuague caliente			
Auto	●	●	●	122 °F 50 °C ●	●	●	149~158 °F 65~70 °C ●	●	6.1 gal. 23 L	135 Min.
Heavy (RESISTENTE)	●	●		140 °F 60 °C ●	●	●	158 °F 70 °C ●	●	6.1 gal. 23.0 Lts.	166 Min.
Delicate (DELICADOS)	●	●		122 °F 50 °C ●	●		154 °F 68 °C ●	●	4.6 gal. 17.5 Lts.	141 Min.
Dual Wash (DOBLE LAVADO)	●	●		154 °F 68 °C ●	●		158 °F 70 °C ●	●	4.6 gal. 17.5 Lts.	147 Min.
Normal	●	●	●	86~122 °F 30~50 °C ●	●		149~158 °F 65~70 °C ●	●	1.7~6.4 gal. 6.5~20.5 Lts.	110~139 Min.
Quick & Dry (RÁPIDO Y SECO)	●	●	●	122 °F 50 °C ●	●	●	162 °F 72 °C ●	●	7.6 gal. 29 Lts.	79 Min.
Rinse Only (SÓLO ENJUAGUE)					●				1.0 gal. 4 Lts.	22 Min.

* El consumo de agua real varía según el nivel de suciedad y la dureza del agua.

** Los tiempos reales de los ciclos varían dependiendo del nivel de suciedad, la temperatura y la dureza del agua.

INSTRUCCIONES DE FUNCIONAMIENTO

COMIENZO RÁPIDO

1. CARGUE LA VAJILLA

Retire el exceso de comida, huesos y de cualquier otro residuo no soluble de la vajilla. Tire de la bandeja hacia afuera y cargue la vajilla tal como se lo describe en este manual.

2. MIDA EL DETERGENTE

Siguiendo las instrucciones contenidas en este manual, llene el recipiente de detergente con la cantidad recomendada y cierre la tapa. Si desea realizar un pre-lavado, la apertura en la parte superior de la tapa también debe llenarse con detergente.

3. ENCIENDA EL LAVAVAJILLAS

Para encender el panel de visualización, presione el botón "POWER".

4. CONTROLE EL ABRILLANTADOR

La luz indicadora del abrillantador se iluminará si el nivel de abrillantador está bajo. Agregue abrillantador si el nivel es bajo para mantener la efectividad del ciclo de secado.

5. SELECCIONE EL CICLO Y LAS OPCIONES

Seleccione el ciclo y las opciones que mejor se ajusten a la carga según la tabla de selección de ciclos. La pantalla mostrará el tiempo estimativo del ciclo y las opciones seleccionadas.

6. CIERRE LA PUERTA

El lavavajillas se iniciará automáticamente, luego de una pequeña demora, una vez que se cierre y trabe la puerta. Durante el ciclo, la pantalla mostrará el tiempo estimativo restante del ciclo y las opciones seleccionadas. Si se abre la puerta durante el ciclo, el lavavajillas se detendrá. Cuando se cierra la puerta, el ciclo se reanuda desde el punto en el que se detuvo.

7. FIN DEL CICLO

Cuando el ciclo finaliza, suena una alarma y la pantalla muestra "END" (FIN). Luego de un tiempo breve, la pantalla y los controles se apagan por cuestiones de seguridad y ahorro de energía.

⚠ PRECAUCIÓN

Vacíe primero la bandeja inferior y luego la bandeja superior. Esto evitará que el agua de la bandeja superior caiga sobre la vajilla de la bandeja inferior.

⚠ ADVERTENCIA

En general, no se recomienda abrir la puerta mientras el lavavajillas se encuentra en funcionamiento. Si se abre la puerta, un dispositivo de seguridad detendrá el lavavajillas. Debe tener cuidado al abrir la puerta inmediatamente luego de la finalización del ciclo, dado que puede producirse escape de vapor.

APAGADO AUTOMÁTICO

El lavavajillas se apaga automáticamente si no se selecciona ningún ciclo o si no se cierra la puerta en cuatro minutos.

CARGA DE LA BANDEJA INFERIOR

⚠ PRECAUCIÓN

OBJETOS NO ADECUADOS PARA EL LAVAVAJILLAS

La combinación de agua a altas temperaturas y de detergentes para lavavajillas puede dañar ciertos objetos. LG recomienda no lavar los siguientes objetos en el lavavajillas:

- Vajilla pintada a mano con oro o plata
- Utensilios de madera o hueso
- Utensilios de hierro o fácilmente oxidables
- Objetos de plástico no aptos para lavavajillas

En caso de duda, consulte las recomendaciones del fabricante.

El compartimiento extra permite cargar platos, cacerolas y otros utensilios de hasta 14 pulgadas de alto.

Se recomienda utilizar la bandeja inferior para platos llanos, platos soperos, pocillos, potes, cacerolas, tapas y bandejas. Los platos deben colocarse en posición vertical, orientados hacia el centro de la bandeja. Los potes, las cacerolas y los bowls grandes deben girarse para que su parte interior quede orientada hacia abajo. El cesto para cubiertos puede utilizarse tanto en la bandeja inferior como en la superior.

PATRÓN DE CARGA RECOMENDADO



SUGERENCIAS PARA LA CARGA DE LA BANDEJA INFERIOR:

- Cargar los platos, los bowls soperos, etc. entre los soportes.
- Cargue las bandejas para hornear, los moldes para tortas y otros objetos grandes en los laterales o en la parte trasera de la bandeja. Cargar estos objetos en la parte frontal del lavavajillas puede evitar que la aspersión de agua alcance el dispensador de detergente.
- Asegúrese que los mangos y otros elementos grandes no obstruyan la rotación de los brazos rociadores.

La bandeja inferior no debe utilizarse para objetos pequeños, tales como pocillos, copas de vino o platos pequeños. Estos elementos deben colocarse en la bandeja superior.

Cargue la vajilla que esté muy sucia o manchada en el lado izquierdo frontal de la bandeja inferior con el lado sucio orientado hacia abajo. Esta es la zona por la que el vapor ingresa al lavavajillas. El uso de vapor caliente maximiza el rendimiento de limpieza del lavavajillas.

PATRÓN DE CARGA ADICIONAL

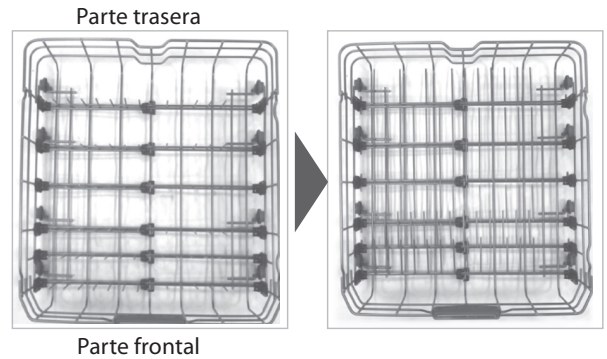
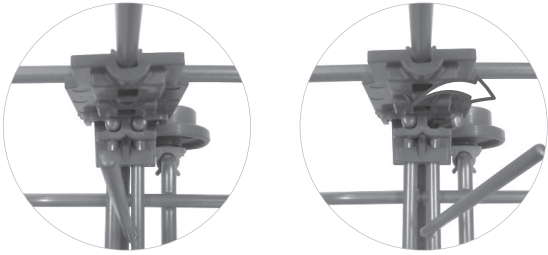


⚠ NOTA

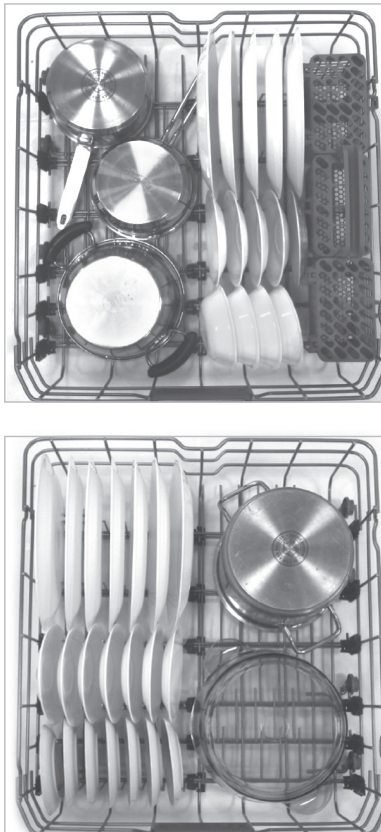
Asegúrese de que los objetos grandes no obstruyan la rotación de los brazos rociadores, y que no eviten que se abra el dispensador de detergente.

AJUSTE DE LAS PUNTAS SEPARADORAS INFERIORES

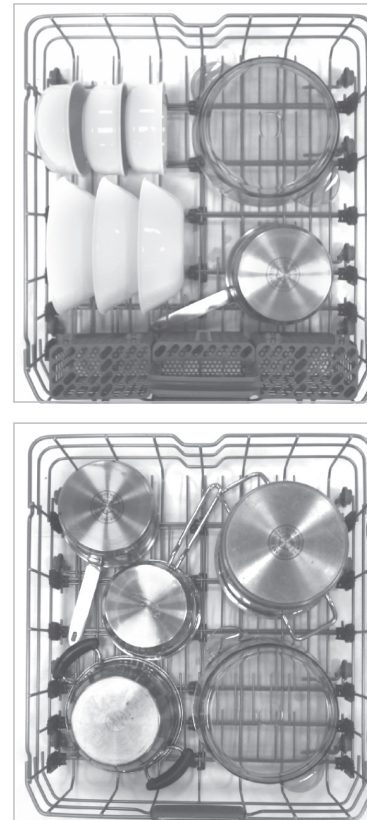
Las puntas separadoras son ajustables para adecuarse a vajilla de diferente tamaño.



CARGA DE PLATOS Y OLLAS

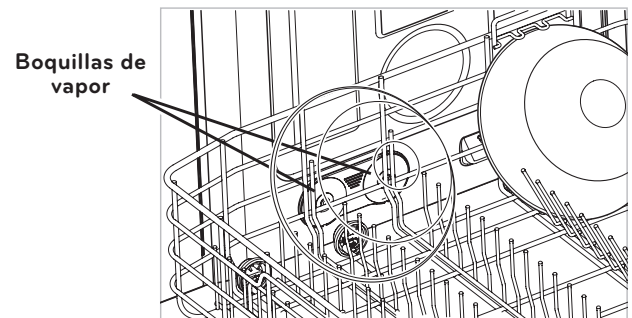


CARGA DE OLLAS Y BOWLS



DIFICULTAD PARA QUITAR LOS RESTOS DE COMIDA DE LA VAJILLA

Cargue los objetos que tienen restos de comida quemados o que son difíciles de remover cerca de los brazos rociadores de vapor, orientados hacia el lado izquierdo de la bandeja inferior y con la cara hacia abajo. La vajilla se beneficiará por la aspersión directa del vapor y la acción de lavado del brazo rociador inferior.



CARGA DEL CESTO DE CUBIERTOS

El cesto de cubiertos cuenta con separadores para evitar que se raspen y manchen los cubiertos delicados. El cesto puede dividirse en tres cestos separados que pueden utilizarse de forma individual tanto en la bandeja superior como en la inferior. Destrabe los separadores sobre el lateral derecho e izquierdo para separar el cesto.

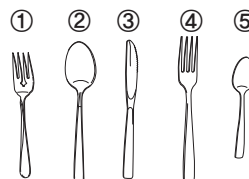
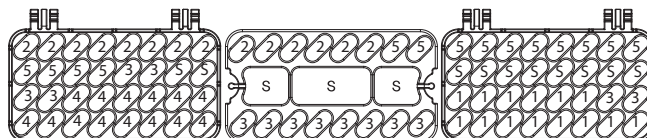


⚠ ADVERTENCIA

Tenga cuidado al cargar y descargar objetos cortantes. Cargue los cuchillos filosos con los mangos hacia arriba para disminuir el riesgo de lesiones personales.

SUGERENCIAS PARA LA CARGA DE CUBIERTOS:

- Para obtener mejores resultados de limpieza, utilice los separadores superiores del cesto cuando cargue los cubiertos. Los separadores evitan que los cubiertos se amontonen.
- Cargue los objetos filosos, como por ejemplo los cuchillos, apuntando hacia abajo.
- Cuando descargue el lavavajillas, lo mejor es comenzar por el cesto de cubiertos. Esto evitará que caigan gotas de agua sobre los cubiertos desde la bandeja superior.



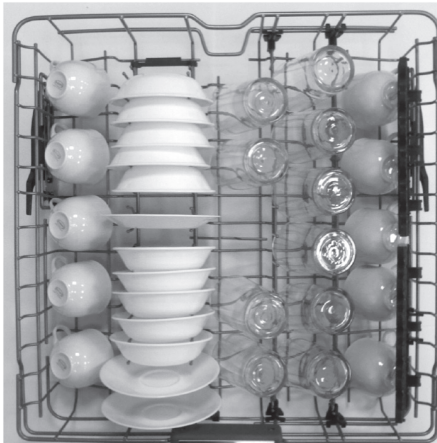
CARGA DE LA BANDEJA SUPERIOR

Utilice la bandeja superior para cargar objetos pequeños o delicados, como ser platos pequeños, tazas, platillos, vasos y objetos plásticos aptos para lavavajillas. Las tazas, vasos y bowls deben posicionarse hacia abajo. Las tazas extras o los utensilios de cocina pueden colocarse en las bandejas plegables para tazas, que también pueden proporcionar soporte a las copas largas. Asegúrese de que los objetos no obstruyan la rotación de los brazos rociadores sobre y debajo de la bandeja superior.

! NOTA

Cuando se cargan objetos más grandes en la bandeja superior, como por ejemplo copas de vino o copas más largas, podría ser necesario retirar la bandeja de cubiertos.

PATRÓN DE CARGA RECOMENDADO



PATRÓN DE CARGA ADICIONAL

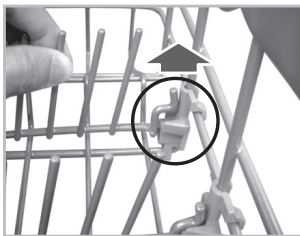


SUGERENCIAS PARA LA CARGA DE LA BANDEJA SUPERIOR:

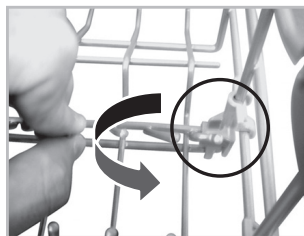
- Ubique las copas y los vasos en las filas entre las puntas separadoras de la bandeja. Colocarlos sobre las puntas separadoras puede ocasionar quebraduras y/o manchas de agua.
- Para evitar que se astillen, no permita que tengan contacto con otros objetos.
- Ubique los elementos con los extremos abiertos orientados hacia abajo para facilitar su limpieza y secado.
- No apile los objetos.

AJUSTE DE LAS PUNTAS SEPARADORAS SUPERIORES

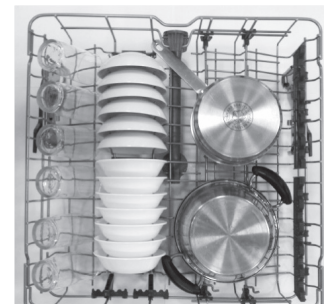
Levante la punta.



Rote la punta.



Las puntas separadoras pueden ajustarse hacia arriba o hacia abajo. Las puntas separadoras del lado derecho tienen agarraderas para la vajilla más ancha o más pequeña.

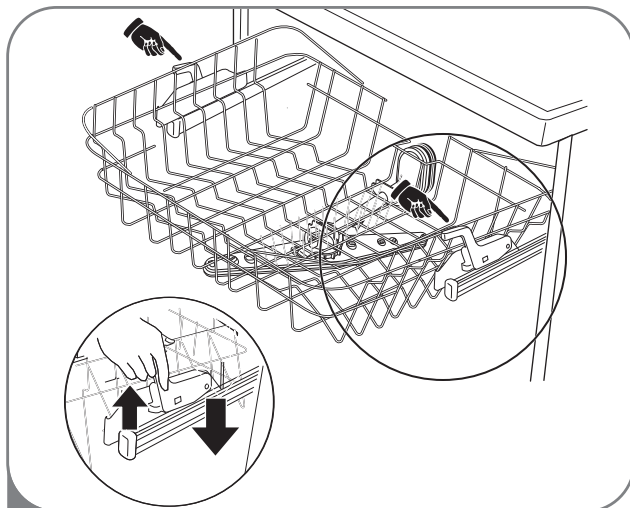


BANDEJA SUPERIOR CON ALTURA AJUSTABLE

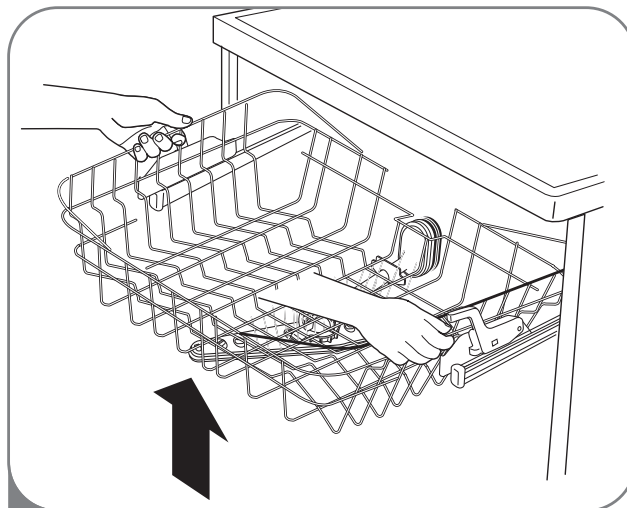
La bandeja superior se ajusta hacia arriba y hacia abajo. Ajústela hacia arriba para dar lugar a objetos altos y grandes de más de 14 pulgadas de altura en la bandeja inferior. Ajústela hacia abajo para dar lugar a objetos altos y grandes con más de 12 pulgadas de altura en la bandeja superior. La bandeja superior queda ubicada en la posición superior.

! NOTA

Luego de ajustar la altura de la bandeja, asegúrese de que la vajilla en las bandejas superior e inferior no interfiera con la rotación del brazo rociador. No ajuste la bandeja cuando esté cargada con vajilla.

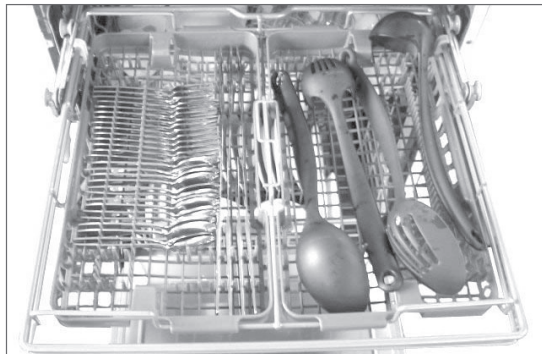


- 1** Para bajar la bandeja:
Sostenga la bandeja del centro de cada lado para soportar su peso. Luego, levante la palanca de cada lado para soltar la bandeja y bájela hacia la posición inferior.



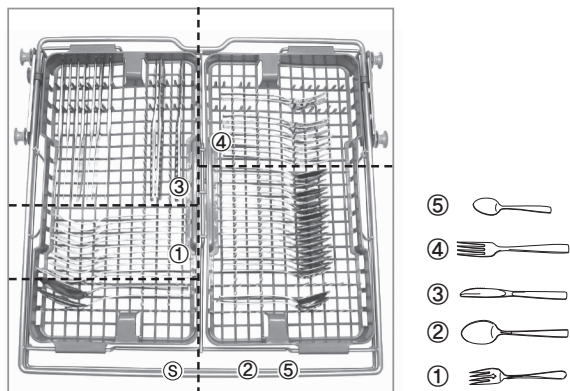
- 2** Para subir la bandeja:
Simplemente, levante la bandeja del centro de cada lado (véase ilustración) hasta que la bandeja se trabe en la posición superior. No es necesario levantar las palancas de bloqueo para levantar la bandeja.

CARGA DE LA BANDEJA PARA CUBIERTOS

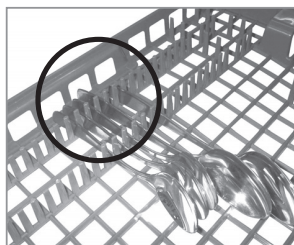


La bandeja para cubiertos es la más adecuada para lavar la cubertería y para la mayoría de los utensilios de cocina. Los separadores de las bandejas de cubiertos ayudan a mantener la cubertería separada fin de evitar daños y mejorar la limpieza. La bandeja también puede acomodar pequeños cuencos de la preparación y tapaderas. Uso de la bandeja le permite eliminar las cestas de los cubiertos de las bandejas inferiores.

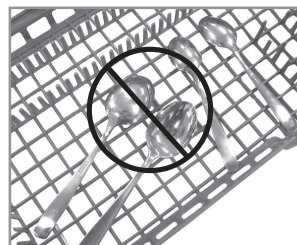
NOTA: Para obtener un mejor rendimiento de limpieza, coloque los platos y cubiertos en los cestos cubiertos. Los utensilios más sucios o los elementos con comidas quemadas deberían ubicarse en el medio de la bandeja o en el cesto para cucharas para lograr un mejor rendimiento.



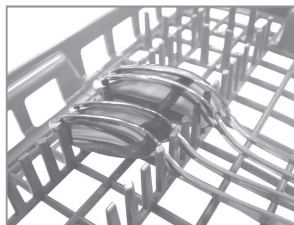
Ejemplo 10: Ajuste de posición.



Correcto



Incorrecto

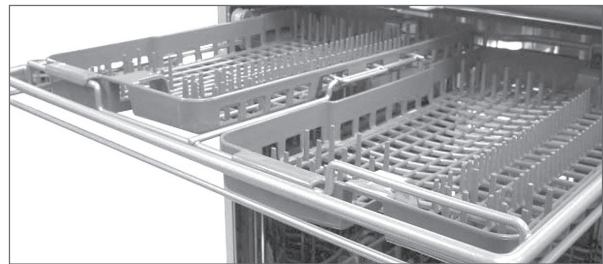


Alternar

Si los mangos de sus cubiertos son demasiado finos, gire las piezas para que los mangos se orienten hacia la dirección contraria, tal como se muestra en la figura.

PLACA CON ALTURA AJUSTABLE

Cada placa lateral puede ajustarse independientemente en una posición más alta o más baja para adecuarse a los diversos tamaños de utensilios y cubiertos. Retire la vajilla antes de ajustar la placa.



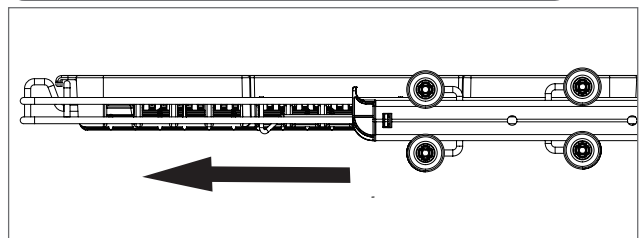
Cada placa se ajusta levantándola hacia afuera y rotándola desde adelante hacia atrás.

Extracción de la bandeja para cubiertos

La bandeja para cubiertos puede extraerse por completo en caso de necesitarse más espacio en la bandeja superior para objetos más grandes.

! NOTA

Siempre retire los cubiertos de la bandeja antes de extraer la misma.



Tire la bandeja hacia afuera hasta llegar al extremo de los rieles. Luego, levante la parte frontal de la bandeja para que los rodillos se destraben del extremo del riel. Deslice la bandeja hacia adelante y extráigala de los rieles.

! ADVERTENCIA

Tenga cuidado al cargar y descargar objetos cortantes. Cargue cuchillos filosos con las hojas hacia abajo para disminuir el riesgo de lesiones.

CÓMO AGREGAR DETERGENTE EN EL DISPENSADOR

- Utilice solamente detergente especial para lavavajillas automáticos.
- El detergente debe colocarse en el compartimiento para detergente antes de comenzar cualquier ciclo, salvo para el ciclo "Rinse Only" (Sólo enjuague).
- Utilice menos cantidad de detergente si la vajilla está ligeramente sucia. El uso excesivo de detergente puede dejar una película en la vajilla y en el lavavajillas, lo que resulta en un mal lavado.
- La cantidad de detergente necesario depende del ciclo, el tamaño de la carga y el nivel de suciedad de la vajilla.

! NOTA

Retire la etiqueta del dispensador antes de poner en funcionamiento el lavavajillas.



1

Si la tapa está cerrada, presione la palanca en el lado inferior de la puerta para abrir el dispensador.



2

Agregue detergente para lavavajillas en el compartimiento principal hasta que el nivel se encuentre entre las líneas marcadas en 20 y 30. Llénelo hasta la línea 30 en caso de agua dura o cargas con suciedad extrema. Llénelo hasta la línea 20 en caso de agua blanda o cargas con poca suciedad. Cierre la tapa con firmeza hasta que haga "clic".

! NOTA

NO AGREGUE detergente cuando seleccione el ciclo "Rinse Only" (Sólo Enjuague).



3

Si desea efectuar un pre-lavado, llene con detergente el área del compartimiento de pre-lavado en la tapa.

! NOTA

El uso excesivo de detergente puede dejar una película en la vajilla y en el lavavajillas, lo que resulta en un mal lavado.


No utilice detergente en pastillas para ciclos de lavado más cortos. La pastilla puede no disolverse por completo, causando ineficiencia y dejando restos de detergente en la vajilla.

! PRECAUCIÓN

INFORMACIÓN SOBRE EL DETERGENTE

Utilice únicamente detergente especial para lavavajillas automáticos. El uso de detergente no adecuado podría causar que el lavavajillas se llene de espuma durante el funcionamiento. El exceso de espuma puede reducir el rendimiento del lavado y hacer que el lavavajillas gotee. NO utilice detergente para lavado a mano en este lavavajillas.

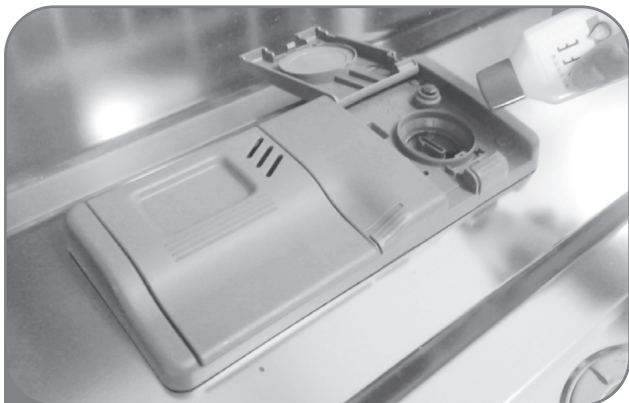
CÓMO AGREGAR ABRILLANTADOR EN EL DISPENSADOR

 El indicador de Abrillantador insuficiente aparecerá en la pantalla cuando se necesite más abrillantador.

Utilice solamente abrillantador líquido en este lavavajillas. Se recomienda utilizar abrillantador para evitar que queden marcas de gotas de agua en la vajilla y para mejorar el rendimiento del secado.



1 Presione el botón para abrir la tapa.

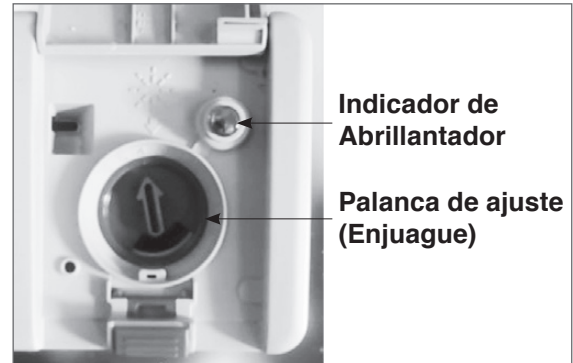


2 Agregue líquido abrillantador hasta el nivel máximo de llenado. Cuando llene el dispensador con abrillantador, apunte con el abrillantador a la flecha. Asegúrese de que el abrillantador ingrese en el dispensador.



3 Cierre la tapa para bloquear el dispensador. El abrillantador se dispensará automáticamente durante el ciclo final de enjuague.

AJUSTE DEL DISPENSADOR DE ABRILLANTADOR



El dispensador de abrillantador viene configurado por defecto en el nivel 4, ya que es el nivel que ofrece el mejor rendimiento en la mayoría de los casos. Reajuste la configuración a un nivel más elevado si tiene agua dura o si nota la formación de calcio en su vajilla.


Si nota que se forma película en su vajilla, utilice un ajuste más bajo. Ajustar el control del abrillantador a un nivel demasiado bajo producirá manchas y vetas en la vajilla, así como también un bajo rendimiento de secado. Ajustar el control a un nivel demasiado elevado puede causar espumación, lo que resultará en un bajo rendimiento de lavado.

Para regular el ajuste del dispensador de abrillantador, retire la tapa y ajuste la palanca del abrillantador hacia el nivel deseado. Coloque la flecha hacia la izquierda para un ajuste menor y hacia la derecha para un ajuste mayor.

RECARGA DE ABRILLANTADOR

La regularidad con la que se debe recargar el dispensador depende de la regularidad con la que se lave la vajilla y el nivel de ajuste utilizado. Si el nivel del abrillantador es insuficiente, la luz "Rinse Aid" (Abrillantador) se encenderá en el panel de control.

SUGERENCIAS PARA LA RECARGA DE ABRILLANTADOR:

-  El indicador de Abrillantador insuficiente aparecerá en la pantalla cuando se necesite agregar más abrillantador.
- No llene en exceso el dispensador de abrillantador.
- Limpie cualquier abrillantador que haya quedado derramado a fin de evitar la espumación.

CUIDADO Y LIMPIEZA

Para obtener mejores resultados, es importante controlar y cuidar periódicamente los brazos rociadores.

⚠ ADVERTENCIA

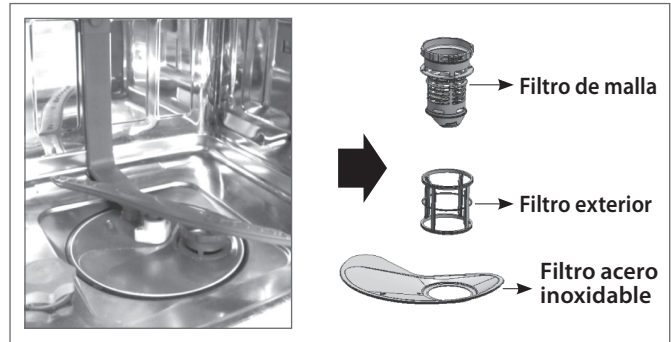
Para evitar lesiones físicas durante el cuidado y el mantenimiento/limpieza, use guantes y/o prendas protectoras.

LIMPIEZA DE LOS FILTROS

1. Primero retire la bandeja inferior.
2. Gire el filtro de malla en sentido contrario a las agujas del reloj.
3. Retire el filtro de malla, eleve el filtro acero inoxidable y el filtro exterior.
4. Límpielos en caso de ser necesario.
5. Reemplácelos siguiendo el orden contrario.

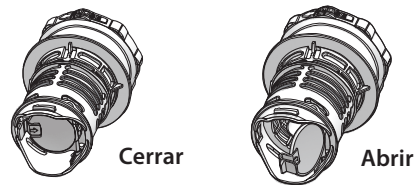
! NOTA

- Para lograr los mejores resultados, limpie el filtro después de cada carga. Si el filtro sigue sucio, puede causar olores.
- Antes de comenzar un ciclo, asegúrese de que el filtro se ensamble correctamente. Si el filtro no se ensambla correctamente, pueden originarse malos resultados en el lavado.
- Si el agua de su vivienda es dura, se recomienda limpiar este filtro al menos una vez al mes.



Los tres filtros deben limpiarse según las recomendaciones indicadas en la tabla siguiente. Limpie los filtros utilizando materiales no abrasivos y agua corriente tibia. Podría necesitarse un cepillo suave para remover la suciedad más difícil.

! NOTA



- La tapa inferior del filtro de malla se puede abrir para una conveniente limpieza.
- Cerrar la cubierta inferior antes de reensamblar el filtro.

⚠ PRECAUCIÓN

- Podría necesitarse un cepillo suave para limpiar el filtro acero inoxidable.
- Tenga cuidado con los bordes puntiagudos al manipular el filtro acero inoxidable.

Tabla de limpieza de filtros recomendada:

Cantidad de cargas por semana	Si lava la vajilla antes de cargarla	Si quita los residuos y enjuaga la vajilla antes de cargarla	Si sólo quita los residuos de la vajilla antes de cargarla	Si no quita los residuos ni enjuaga la vajilla antes de cargarla
1a 3	Cada 6 meses	Una vez por año	Cuatro veces al año	Una vez por mes
4a7	Cada 6 meses	Una vez por año	Cuatro veces al año	Dos veces por mes (cada 15 días)
8a12	Cada 6 meses	Cada 6 meses	Cada un mes y medio	Todas las semanas
13a14	Cada 6 meses	Cada 6 meses	Cada un mes y medio	Todas las semanas

! NOTA

Verifique la salida de aire del drenaje o el triturador del fregadero si el lavavajillas no drena correctamente.

La salida de aire de drenaje y el triturador son aparatos de fontanería externos y no forman parte del lavavajillas.

La garantía del lavavajillas no cubre los costos de servicio directamente relacionados con la limpieza o reparación de la fontanería externa, incluidos la salida de aire y el triturador.

LIMPIEZA DEL INTERIOR

- Limpie el interior del lavavajillas periódicamente con un trapo suave y humedecido para eliminar las partículas de alimentos y suciedad.
- Para eliminar las manchas blancas y los olores del lavavajillas, realice un ciclo con el aparato vacío con detergente o con una taza de vinagre en un vaso o recipiente apto para lavavajillas colocado en el estante superior. (El vinagre es un ácido y su uso constante podría dañar el aparato)

LIMPIEZA DEL EXTERIOR

- En la mayoría de los casos, el exterior del lavavajillas se puede limpiar con un trapo o esponja suaves y humedecidos, y secar con un trapo suave. Si el lavavajillas tiene el exterior de acero inoxidable, se recomienda un limpiador para ese material.

LIMPIEZA DEL BRAZO ROCIADOR INFERIOR



- Asegúrese de que los orificios propulsores de agua no estén obstruidos con partículas de alimentos.
- Cuando sea necesario realizar una limpieza, extraiga el brazo rociador tirando hacia arriba.
- Luego de limpiar el brazo rociador inferior, vuelva a colocarlo presionándolo hacia abajo hasta que encastre en su lugar. Asegúrese de que el brazo rociador pueda girar libremente.

LIMPIEZA DEL BRAZO ROCIADOR SUPERIOR

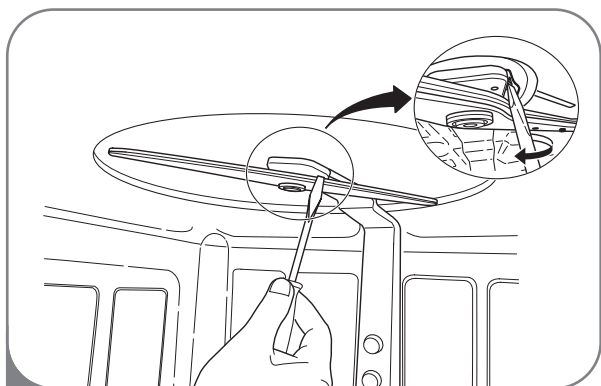


- Tire de la bandeja superior hacia afuera. Asegúrese de que los orificios propulsores de agua no estén obstruidos con partículas de alimentos.
- Cuando sea necesario realizar una limpieza, extraiga el brazo rociador superior al girando la tuerca ubicada en la parte inferior del brazo 1/8 en sentido contrario a las agujas del reloj, y empújela hacia abajo.

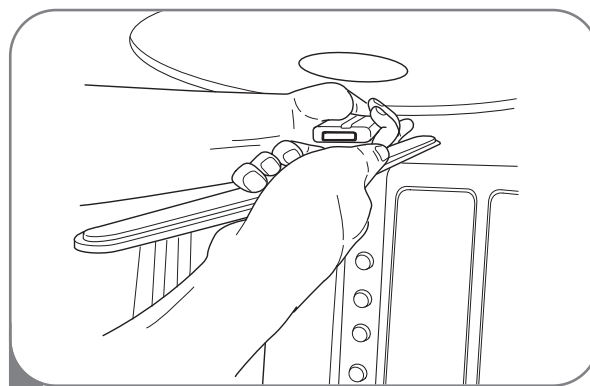


- Luego de limpiar el brazo rociador superior, vuelva a colocarlo en su lugar. Gire la tuerca 1/8 en sentido de las agujas del reloj para asegurarse de que la tuerca se bloquee nuevamente en su lugar.

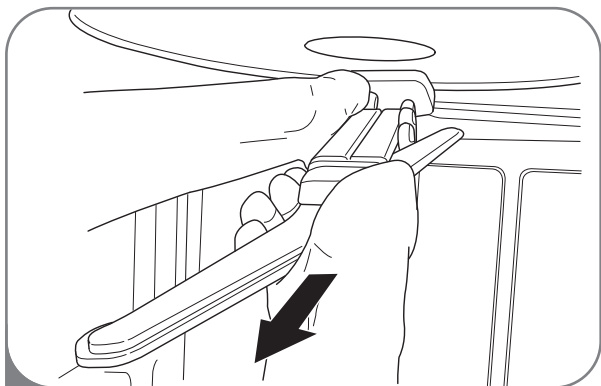
LIMPIEZA DEL BRAZO ROCIADOR EXTREMO



- 1 Asegúrese de que los orificios propulsores de agua no estén obstruidos con partículas de alimentos. Cuando sea necesario realizar una limpieza, utilice un destornillador para desajustar el gancho de sujeción de la abrazadera que sostiene el ensamble del brazo rociador extremo al compartimiento.



- 3 Luego de limpiar el brazo rociador extremo, vuelva a colocarlo. Deslícelo nuevamente hacia su lugar y asegúrese de que el gancho de sujeción quede bien sujeto.



- 2 Tire del brazo rociador. hacia afuera y extráigalo

MANTENIMIENTO Y ALMACENAMIENTO ESTACIONAL

- En caso de que vaya a ausentarse por un extenso periodo de tiempo durante los meses más calurosos, se recomienda que cierre la válvula de agua, desenchufe el cable tomacorriente o apague el interruptor de corriente. Limpie el filtro, la cuba y el dosificador para evitar olores.
- En caso de que vaya a ausentarse por un extenso periodo de tiempo durante los meses más fríos, y exista la posibilidad de que hayan temperaturas heladas, se recomienda que prepare las líneas de suministro de agua y el mismo lavavajillas para el invierno. La preparación para el invierno debe ser realizada por personal de servicio experimentado.

PREGUNTAS FRECUENTES

PREGUNTAS COMUNES ACERCA DEL PRODUCTO

¿Es necesario utilizar un abrillantador??

Es altamente recomendable utilizar un abrillantador para mejorar el rendimiento del secado del lavavajillas. Para ganar eficiencia en el consumo de energía, el sistema de secado híbrido no utiliza un elemento de calor para asistir el secado, de manera que el abrillantador cumple un rol crucial en dicho proceso. Si no se utiliza un abrillantador, puede quedar agua en la vajilla o en el compartimiento. El abrillantador ayuda a garantizar que la mayor parte del agua sea removida de la vajilla al final del enjuague y que la carga esté lista para el ciclo de secado.

¿Qué puedo hacer si mi vajilla queda con una película turbia o blanca después del lavado?

Generalmente, la película turbia se origina por los minerales del agua que reaccionan con el detergente del lavavajillas. En primer lugar, asegúrese de no utilizar demasiado detergente. Consulte el manual del usuario para conocer las cantidades de detergente recomendadas por ciclo. Agregue un enjuague extra ("Extra Rinse") al ciclo. Añada un Extra Rinse o realice un ciclo Ciclo de suciedad resistente. Los lavavajillas LG utilizan menos agua que los lavavajillas tradicionales; por lo tanto, agregar un enjuague extra ayudará a quitar la película. Si el suministro de agua es duro, podría necesitarse un impulsor de rendimiento que trate la condición de agua dura.

¿Qué es el enjuague higiénico ("Sanitary Rinse") y cómo se activa?

La función "Sanitary Rinse" (Enjuague Higiénico) aumentará la temperatura de enjuague a aproximadamente 161°F (72°C). La temperatura de enjuague caliente normal varía de ciclo a ciclo.

¿Qué pasos debo seguir para mejorar los resultados de secado?

El rendimiento del secado se ve directamente afectado por la cantidad de calor que permanece en el compartimiento luego de que se ejecuta el enjuague caliente. Si su lavavajillas se encuentra alejado del calentador de agua de su casa, podría resultar necesario abrir la canilla de agua caliente del fregadero antes de iniciar el ciclo de lavado, para asegurarse de que se purgue el agua fría de las líneas de agua caliente. Esto garantizará que su lavavajillas tenga un suministro consistente de agua caliente desde el comienzo hasta el final. La utilización del ajuste "Sanitary Rinse" (Enjuague Higiénico) también ayudará a mantener la temperatura del tambor interno y la vajilla más caliente antes de que se inicie el secado.

Los lavavajillas LG están diseñados para ser utilizados conjuntamente con abrillantador. El abrillantador maximiza la cantidad de agua que se elimina de la vajilla antes de que comience el ciclo de secado. Si se utiliza un abrillantador y el rendimiento aún necesita ser mejorado, ajuste la cantidad de abrillantador utilizada por el indicador en la tapa del abrillantador. 4 es el ajuste predeterminado, pero de ser necesario, fíjelo en el nivel 5 para que se utilice más cantidad de abrillantador.

Permita que el lavavajillas finalice por completo el ciclo de secado antes de abrir la puerta. Si la puerta se abre en pleno ciclo de secado, el calor necesario para el funcionamiento del sistema de secado híbrido se fugará. Esto provocará que toda la vajilla que se encuentra en el interior del lavavajillas permanezca húmeda cuando termine el ciclo.

¿Qué es el sistema de secado híbrido?

El lavavajillas no utiliza un elemento de calentamiento para el proceso de secado, sino que el calor es retenido por la vajilla y el compartimiento durante los ciclos de lavado y enjuague para luego convertir el vapor que se produce en el compartimiento en humedad. El aire caliente y húmedo del lavavajillas se introduce en un conducto de condensación ubicado en la puerta por medio de un ventilador. Luego, el aire se enfría y hace que la humedad se condense. El aire a temperatura ambiente también se introduce en el conducto para ayudar a enfriar el aire más rápido. Cuando la humedad se condensa en líquido, es desagotada.

! NOTA

Se requiere abrillantador para mejorar el rendimiento del secado. Si no se utiliza un abrillantador, el agua puede permanecer en la vajilla o en el compartimiento.

¿Por qué se escucha un silbido?

Es importante determinar cuánto tiempo dura el ruido y cuándo aparece (en qué parte del ciclo). Cuando ingresa el agua al lavavajillas, puede escucharse un silbido; esto es normal. Cuando la presión de agua es demasiado elevada, el sonido será más intenso; por lo cual, podría resultar necesario ajustar la válvula de agua para disminuir la presión si el sonido es demasiado fuerte.

¿Qué tipo de vajilla puede colocarse en el lavavajillas?

Asegúrese que la vajilla que coloque en el lavavajillas sea apta para lavavajillas. La vajilla plástica no se seca de manera tan efectiva como la vajilla de cristal o de metal. Los objetos plásticos no retienen tanto el calor como la vajilla de cristal o de metal. Las tazas y la vajilla de plástico podrían necesitar ser secadas a mano antes de guardarlas al finalizar el ciclo.

¿Puedo realizar solamente un ciclo de secado?

El lavavajillas no tiene una función de sólo secado; sin embargo, el lavavajillas se desagotará durante los primeros 45 segundos de un nuevo ciclo. Para desagotar el agua estancada, seleccione el ciclo de lavado y déjelo funcionar por tan sólo 45 segundos. Luego, apague la unidad y vuélvala a encenderla. Repita este paso según sea necesario.

¿Cuánto tiempo permanece encendido el indicador de limpieza luego de que se completa el ciclo?

El indicador luminoso de limpieza en el lavavajillas permanecerá encendido durante 4 minutos antes de apagarse. Sin embargo, usted puede programar el lavavajillas para que la luz de limpieza se mantenga encendida hasta que se abra la puerta del lavavajillas.

¿Por qué mi lavavajillas emite un pitido continuo si abro la puerta durante o justo después de finalizado un ciclo?

Esto es normal. El lavavajillas le hace saber que las temperaturas interiores de la unidad están calientes y que debe tener cuidado cuando coloque sus manos en su interior. Cuando la unidad se enfría, el pitido se detiene.

CARACTERÍSTICAS DEL PRODUCTO Y FUNCIONAMIENTO**¿Cuál es el beneficio del uso de vapor?**

El vapor permite que se realice una exhaustiva limpieza de los restos de comida quemada utilizando menos agua que otros métodos de limpieza. Además, da lugar a un rendimiento de limpieza mejorado cuando se lava porcelana fina y demás vajilla en un ciclo delicado. Las partículas de vapor son más pequeñas y más activas, entonces su poder de penetración es más efectivo. El vapor aumenta la temperatura interior del lavavajillas, lo que ayuda a derretir las sustancias grasosas o cerosas, como ser el lápiz labial en el borde de los vasos.

¿Qué es el bloqueo infantil (Child Lock) y cómo se activa?

Child Lock (Bloqueo Infantil) es una función que evita que se cambien los controles durante el ciclo; no evita que se abra la puerta o que se apague la unidad. Para activar o desactivar esta función, presione los botones "High Temp" y "Rinse" de manera simultánea durante 3 segundos.

¿Por qué aparece "PF" en la pantalla?

"PF" no es un código de error que indique un mal funcionamiento. PF indica que hubo una falla en el suministro eléctrico. Esta función protege el lavavajillas en caso de que se corte la electricidad o que se interrumpa el suministro eléctrico de la unidad. Cuando regrese la electricidad y se presione un botón, este mensaje permanecerá por 10 segundos y luego desaparecerá.

INSTALACIÓN**¿De qué tamaño es el codo de 90°?**

El codo de 90° debe tener una rosca NPT de 3/8" en el extremo que se conecta al lavavajillas.

¿Puedo agregar una extensión a la manguera de desagüe?

No, no pueden agregarse extensiones.

ANTES DE LLAMAR AL SERVICIO TÉCNICO

Problema	Causas posibles	Soluciones
El lavavajillas no funciona	La puerta no está bien cerrada. El suministro de energía o el cable tomacorriente no están conectados. El fusible está quemado o el interruptor de corriente está desactivado.	Asegúrese de que la puerta esté bien cerrada y trabada. Conecte el suministro de energía y el cable tomacorriente adecuadamente. Reemplace el fusible o vuelva a encender el interruptor de corriente.
El lavavajillas funciona por demasiado tiempo	El lavavajillas está conectado al agua fría.	Controle la conexión del suministro de agua o el ajuste de calentamiento del agua. (Calentar el agua fría lleva más tiempo).
Olor	El ciclo anterior se ha parado antes de su finalización y quedó residuos de agua en el lavavajillas. Hay alimentos en el fondo de la unidad o en el filtro. Se deja vajillas sin lavar mucho tiempo en el lavavajillas.	Encienda el aparato, aplique la opción Cancelar ciclo para eliminar el agua residual, y haga un ciclo Rápido con detergente, pero con el lavavajillas vacío. Limpie el filtro y el interior según la sección "Cuidado y Limpieza" del manual del propietario. Haga un ciclo vacío con detergente, o un ciclo vacío con una taza de vinagre blanco en un vaso o recipiente apto para lavavajillas colocado en el estante superior. (El vinagre es un ácido y su uso constante podría dañar el aparato)
El agua permanece en el compartimiento luego de que el ciclo se complete.	La manguera de desagüe está plegada u obstruida.	Ajuste la manguera o elimine el bloqueo.
Manchas y películas en la vajilla	La temperatura del agua es baja.	El suministro de agua debe ser al menos de 120°F (49°C) para un mejor rendimiento de lavado.
	La cantidad de detergente es inadecuada. La placa inferior no se trabó.	Utilice la cantidad de detergente recomendada. Asegúrese de que la placa inferior esté bien cerrada y trabada.
	Sobrecarga	No sobrecargue el lavavajillas.
	Carga inadecuada. Presión de agua insuficiente. Detergente insuficiente.	Consulte la sección "Uso del lavavajillas". La presión de agua debería ser de entre 20 y 120 psi. Agregue la cantidad de detergente recomendada. Consulte la sección "Uso del lavavajillas".
	El dispensador del abrillantador está vacío.	Recargue el dispensador del abrillantador.
<p>Agua extremadamente dura. La mejor forma de eliminar las manchas de su vajilla es instalar un ablandador de agua en su hogar. Si ya tiene un ablandador de agua instalado, o bien no planea instalar ninguno, pruebe agregando la opción "Extra Rinse" (Enjuague Extra) como parte del ciclo de lavado para ayudar a minimizar esta condición. Para agregar un enjuague extra al ciclo, seleccione el ciclo de lavado y luego presione "Rinse".</p> <p>NOTA: La selección de la opción "Extra Rinse" (Enjuague Extra) aumentará la duración del ciclo y el uso de agua.</p> <p>Cómo eliminar el agua dura acumulada en el compartimiento Retire toda la vajilla, los cubiertos y el cesto para cubiertos del lavavajillas. Deben quedar únicamente las bandejas en el compartimiento. Llene una medida de taza con vinagre blanco, aproximadamente 14 a 17 onzas (400 a 500 mL), y coloque la medida en la bandeja inferior. Inicie un ciclo "Normal" y seleccione "Extra Rinse" (Enjuague Extra) y "Sanitary" (Higiénico); luego, cierre la puerta. NO USE DETERGENTE.</p> <p>NOTA: Asegúrese de permitir que el lavavajillas complete el ciclo en su totalidad. Este método de limpieza debe realizarse sólo si es necesario.</p>		

Si usted ha seguido esta guía de solución de problemas y el problema persiste, o si el problema que está experimentando no se encuentra en esta guía, comuníquese con el Servicio de Atención al Cliente de LG al teléfono 1-800-243-0000 (EE.UU.), 1-888-542-2623 (Canadá).

ANTES DE LLAMAR AL SERVICIO TÉCNICO

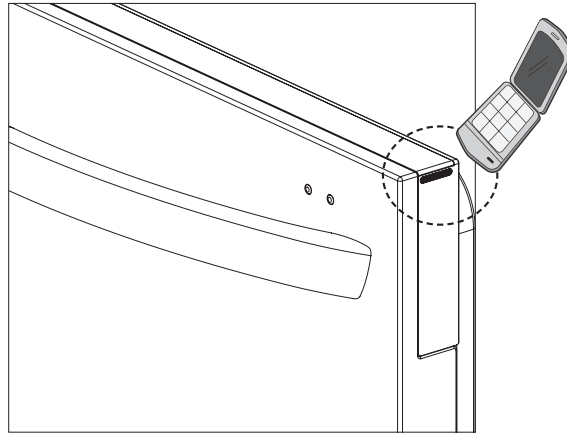
Problema	Causas posibles	Soluciones
Quedan restos de comida en la vajilla.	El ciclo seleccionado es inadecuado.	Seleccione el ciclo correcto según el nivel de suciedad y el tipo de vajilla a lavar.
	La temperatura del agua está demasiado baja.	Controle la conexión del suministro de agua o el ajuste de calentamiento del agua.
	No se utilizó detergente para el lavado de la vajilla.	Use el detergente recomendado.
	Hay baja presión de entrada del agua.	La presión de agua debería ser de entre 20 y 120 psi.
	Los orificios propulsores de agua de los brazos rociadores están bloqueados. La carga de vajilla inadecuada.	Limpie los brazos rociadores. Asegúrese de que la vajilla no obstruya la rotación del brazo rociador ni que interfiera con el dispensador de detergente.
	Los filtros están obstruidos.	Limpie los filtros.
Ruido	Algunos ruidos son normales durante el funcionamiento.	Abra la cubierta de detergente. Desagote la bomba al inicio del ciclo de desagote.
	El lavavajillas no se encuentra a nivel. El brazo de la boquilla golpea contra la vajilla.	Ajuste los pies de nivelación. Reposicione la vajilla.
Opacidad en la vajilla de cristal	Hay una combinación de detergente y agua blanda en exceso.	Use menos detergente y un abrillantador para minimizar el problema.
Marcas negras y grises en la vajilla.	Los objetos de aluminio rozan contra la vajilla durante el ciclo.	Reposicione la vajilla.
Película amarilla o marrón en las superficies internas del lavavajillas.	Manchas de té o café.	Elimine las manchas utilizando un producto quita manchas.
La vajilla no se seca.	El dispensador del agente de enjuague está vacío.	Controle y recargue el dispensador del agente de enjuague si está vacío.
Las lámparas no se encienden.	La electricidad está desconectada.	Conecte el suministro de energía.
Los brazos rociadores no rotan normalmente.	Los orificios de los brazos rociadores están bloqueados con partículas de comida.	Limpie los orificios de los brazos rociadores.
La bandeja superior está torcida.	La bandeja está mal ajustada.	Consulte la sección "Uso del lavavajillas".
El lavavajillas emite un pitido constante cuando la puerta está abierta, durante o justo luego de que finaliza un ciclo.	Los contenidos del lavavajillas están calientes y debería tener cuidado cuando coloca sus manos dentro del lavavajillas.	Cierre la puerta hasta que el lavavajillas y la vajilla se enfríen. El pitido finalizará si se cierra la puerta o cuando disminuya la temperatura interior.
Error IE	Hay un problema en la entrada de agua.	Controle que la manguera del agua no esté obstruida, plegada o congelada. Controle el suministro de agua.
Error OE	Hay un problema en el desagüe.	Controle que la manguera del agua no esté obstruida, plegada o congelada.
	La salida de aire o el triturador están obstruidos.	Limpie la salida de aire o el triturador.
	Los filtros están obstruidos.	Limpie los filtros.
Error FE	Excesiva cantidad de agua.	Comuníquese con un Centro de Servicio Autorizado de LG o con el Servicio de Atención al Cliente de LGE llamando al teléfono 1-800-243-0000 (EE.UU.), 1-888-542-2623 (Canadá)
Error E1 or AE	Problema de pérdida de agua.	
Error HE	Fallas en el circuito de calentamiento.	
Error tE	Fallas en el termistor o temperatura del agua de entrada demasiado elevada (más de 1940F/ 90°C).	
Error LE	Problema con el motor	

Si usted ha seguido esta guía de solución de problemas y el problema persiste, o si el problema que está experimentando no se encuentra en esta guía, comuníquese con el Servicio de Atención al Cliente de LG al teléfono 1-800-243-0000(EE.UU.), 1-888-542-2623 (Canadá).

SISTEMA SMART DIAGNOSIS™ (DIAGNÓSTICO INTELIGENTE)

En caso de experimentar cualquier problema con su lavavajillas, éste tiene la capacidad de transmitir información a su Smart Phone (Teléfono Inteligente) mediante la aplicación "LG Smart Laundry & DW", o al centro de atención al cliente de LG a través de su teléfono.

"Smart Diagnosis" (Diagnóstico Inteligente) no puede activarse a menos que encienda su lavavajillas presionando el botón "Power" (Encendido). Si su lavavajillas no enciende, entonces el problema se deberá solucionar sin utilizar "Smart Diagnosis".



Smart Diagnosis a través de su Smart Phone

1. Descargue la aplicación "LG Smart Laundry & DW" en su Smart Phone (teléfono inteligente).
2. Abra la aplicación "LG Smart Laundry & DW" en su Smart Phone.
3. Presione el botón **Smart Diagnosis** de su teléfono inteligente.
4. Presione el botón **Diagnose** de su teléfono inteligente.
5. Presione el botón **Record** de su teléfono inteligente.
6. Presione el botón **RECORD** (Grabar) en el teléfono inteligente y luego sostenga la boquilla del teléfono cerca del orificio ubicado en el panel lateral.
7. Presione y mantenga presionado el botón **Rinse** (Enjuagar) en la pantalla del lavavajillas durante tres segundos.

! NOTA

Después de tres segundos, la pantalla cambiará de 0:22 a 6 y comenzará la cuenta regresiva del tiempo restante.

8. Con el teléfono ubicado en su lugar, presione el botón **Smart Diagnosis** (Diagnóstico inteligente) en el teléfono.

! NOTA

No toque ningún otro botón o ícono en la pantalla.

9. Sostenga el teléfono en el lugar hasta que finalice el tono de transmisión. Este proceso tomará aproximadamente 6 segundos y la pantalla mostrará el tiempo restante.
10. Cuando se completa la grabación, vea el diagnóstico presionando el botón **Next** (Siguiente) en el teléfono.

Smart Diagnosis mediante el Centro de Atención al Cliente

1. Comuníquese con el Centro de Atención al Cliente de LG llamando al teléfono: (LG EE.UU.) 1-800-243-0000 (LG Canadá) 1-888-542-2623.
2. Cuando reciba las instrucciones del representante de atención al cliente, sostenga la boquilla de su teléfono cerca del orificio ubicado en el panel lateral. Sostenga el teléfono a no más de una pulgada de distancia, pero sin tocar la máquina.

! NOTA

No toque ningún otro botón o ícono en la pantalla.

3. Mantenga presionado el botón "RINSE" en la pantalla durante tres segundos.
4. Sostenga el teléfono en el lugar hasta que finalice el tono de transmisión. Este proceso tomará aproximadamente 6 segundos y la pantalla mostrará el tiempo restante.
5. Una vez que finalice la cuenta regresiva y se detengan los tonos, reanude su conversación con el representante de atención al cliente, quien podrá asistirlo en el análisis de la información transmitida.

! NOTA

Smart Diagnosis es una característica de solución de problemas diseñada para asistir, no para sustituir, el método tradicional de resolución de problemas a través de llamadas telefónicas de servicio. La efectividad de esta característica depende de varios factores, incluyendo, pero no limitados a, la recepción del teléfono móvil que se utiliza para la transmisión, cualquier ruido externo que pueda estar presente durante la transmisión y la acústica de la habitación donde se encuentra la máquina. En consecuencia, LG no garantiza que Smart Diagnosis pueda solucionar de manera precisa un asunto sobre cualquier problema dado.

GARANTÍA LIMITADA DE LAVAVAJILLAS (EE.UU.)

En caso de que su lavavajillas LG presente alguna falla por defectos de materiales o de fabricación bajo uso normal durante el período de garantía establecido más abajo, el que será efectivo a partir de la fecha original de compra del producto por parte del consumidor final, LG Electronics reemplazará la/s pieza/s defectuosa/s. Las piezas de reemplazo tendrán la medida y función de las piezas originales correspondientes. Las piezas de reemplazo son garantizadas por el período restante del período original de garantía. Esta garantía limitada es válida únicamente para el comprador consumidor final original del producto, y únicamente aplica para los productos utilizados dentro de los Estados Unidos de América.

PERÍODO DE GARANTÍA	
Por el período de:	LG reemplazará:
Un (1) año desde la fecha original de compra	Cualquier pieza del lavavajillas que presente alguna falla por defectos de materiales o de fabricación. Durante esta garantía completa de un año a partir de la compra original del producto, LGE también proporcionará, sin cargo , todo servicio de mano de obra e in situ para reemplazar la pieza defectuosa.
Cinco (5) años desde la fecha original de compra	El tablero de control electrónico o bandeja de lavavajillas que presente alguna falla por defectos de materiales o de fabricación. Durante esta garantía de piezas de cinco años , usted será responsable por cualquier costo de servicio de mano de obra o in situ.
Diez (10) años desde la fecha original de compra	Motor Direct Drive que presente alguna falla por defectos de materiales o de fabricación. Durante esta garantía de piezas de diez años , usted será responsable por cualquier costo de servicio de mano de obra o in situ.
Garantía limitada de por vida	Revestimiento de puerta y compartimento de acero inoxidable (válido únicamente para el comprador original del producto) que presente alguna falla por defectos de materiales o de fabricación. Durante esta garantía de piezas limitada de por vida , usted será responsable por cualquier costo de servicio de mano de obra o in situ.
Los productos y las piezas de reemplazo podrán ser nuevos o remanufacturados. Los productos y piezas de reemplazo son garantizados por la parte restante del período original de garantía.	

Ninguna otra garantía aplica a este producto. LA PRESENTE GARANTÍA REEMPLAZA A CUALQUIER OTRA GARANTÍA, EXPRESA O IMPLÍCITA, INCLUYENDO DE MANERA ENUNCIATIVA MAS NO LIMITATIVA, CUALQUIER GARANTÍA DE COMERCIALIZACIÓN, O APTITUD PARA UN FIN PARTICULAR. EN LA MEDIDA EN QUE TODA GARANTÍA IMPLÍCITA ES OBLIGATORIA POR LA LEY, ÉSTA SE LIMITA AL PERÍODO DE GARANTÍA EXPRESA MENCIONADO MÁS ARRIBA. EL FABRICANTE Y SU DISTRIBUIDOR EN LOS EE.UU. NO SERÁN RESPONSABLES POR DAÑOS INCIDENTALES, CONSECUENTES, INDIRECTOS, ESPECIALES, O POR DAÑOS PUNITIVOS DE CUALQUIER NATURALEZA, INCLUYENDO DE MANERA ENUNCIATIVA MAS NO LIMITATIVA, DAÑO EMERGENTE O LUCRO CESANTE, O POR CUALQUIER OTRO DAÑO BASADO EN EL CONTRATO, ACTO ILÍCITO CIVIL EXTRA CONTRACTUAL, U OTRO. Algunos estados y/o territorios no permiten la exclusión o limitación de daños o limitaciones incidentales o resultantes, o limitaciones sobre la duración de garantías implícitas, por lo tanto las limitaciones o exclusiones anteriores pueden no aplicarse en su caso. Esta garantía le otorga derechos legales específicos como comprador original, y usted también puede contar con otros derechos que pueden variar de Estado a Estado, o de territorio a territorio.

ESTA GARANTÍA LIMITADA NO CUBRE:

1. Viajes de servicio a su domicilio para entregar, recoger, instalar, instruir, reemplazar fusibles domésticos, conectar el cableado o la instalación de agua, o arreglar reparaciones no autorizadas.
2. Mal funcionamiento del producto durante fallas e interrupciones eléctricas o servicio eléctrico inadecuado.
3. Daño causado durante el transporte o manejo del producto.
4. Daño causado al producto por accidentes, plagas y pestes, rayos, vientos, fuego, inundaciones o actos de la Naturaleza.
5. Daños causados por cañerías de agua rotas o con pérdidas, cañerías de agua congeladas, conductos de desagüe restringidos, o suministro de agua inadecuado o interrumpido.
6. Daños causados por suministro inadecuado de aire.
7. Daños causados por la utilización del producto en una atmósfera corrosiva
8. Reparaciones cuando su producto LG es utilizado de manera distinta al uso hogareño, normal y corriente, o de manera contraria a las instrucciones delineadas en la Guía del Usuario del producto.
9. Daño causado por accidente, alteración, mal uso, abuso, instalación, reparación o mantenimiento inapropiados. La reparación inapropiada incluye la utilización de piezas no aprobadas o especificadas por LG.
10. El normal mantenimiento tal como se lo describe en la Guía del Usuario, como ser la limpieza o reemplazo de filtros, la limpieza de bobinas, etc.
11. El uso de accesorios o componentes que no sean compatibles con este producto.
12. Productos con números de serie alterados o borrados.
13. Cambios en la apariencia del producto que no afectan el rendimiento del producto.
14. Costos de servicio directamente relacionados con la limpieza o reparación de la fontanería externa, incluidos la salida de aire de drenaje y el triturador.
15. Aumentos en los costos de servicios públicos y otros gastos de agua y electricidad.

Todos los gastos de reparación o reemplazo de piezas bajo las circunstancias de exclusión mencionadas deberán ser abonados por el consumidor.

Para obtener los detalles de la garantía y servicio de atención al cliente, sírvase comunicarse telefónicamente o visitar nuestro sitio Web:

Comuníquese al 1-800-243-0000 (24 horas al día, 365 días al año) y seleccione la opción apropiada del menú, o bien visite nuestro sitio Web en <http://us.lgservice.com>
O contáctese por correo electrónico: Centro de Información al Cliente de LG:

P. O. Box 240007
201 James Record Road
Huntsville, Alabama 35813
AT.: CIC

Información de registro del producto:

Modelo: _____
Número de serie: _____
Fecha de compra: _____
Nombre del Distribuidor: _____

GARANTÍA LIMITADA DE LAVAVAJILLAS (CANADÁ)

GARANTÍA: En caso de que su Lavavajillas LG (el "Producto") presente alguna falla por defectos de materiales o de fabricación bajo uso personal normal durante el período de garantía establecido más abajo, el mismo será reparado o reemplazado por LG, a su opción, previa presentación del recibo o factura original de compra. Esta garantía es válida únicamente para el comprador original del producto, y únicamente aplica para el Producto distribuido en Canadá, ya sea por LG Canadá o por distribuidor canadiense autorizado. Esta garantía es válida únicamente para Productos ubicados y utilizados dentro de Canadá.

PERÍODO DE GARANTÍA: (Nota: Si la fecha original de compra no pudiera ser verificada, la vigencia de la garantía comenzará a los sesenta(60) días a partir de la fecha de fabricación)		
Lavavajillas	Componente de Garantía Extendida (Sólo piezas) (El consumidor deberá abonar los gastos de servicio transcurrido un (1) año desde la fecha de compra)	
Un (1) año a partir de la fecha original de compra por el consumidor final	Cinco (5) años a partir de la fecha original de compra por el consumidor final	Diez (10) años a partir de la fecha original de compra por el consumidor final
Piezas / Mano de obra (sólo piezas internas/funcionales)	Placa de circuito impreso (PCB), estantes, revestim. de puerta de acero inox, compartimiento	Motor DD

- ▶ Los productos y las piezas de reemplazo son garantizados por la parte restante del período original de garantía o por noventa (90) días, el que sea mayor.
- ▶ Los productos y las piezas de reemplazo podrán ser nuevos o remanufacturados.
- ▶ El Centro de Servicio Técnico Autorizado de LG garantiza su trabajo de reparación por treinta (30) días.

LA RESPONSABILIDAD EXCLUSIVA DE LG CANADÁ SE LIMITA A LA GARANTÍA ARRIBA EXPRESADA. SALVO LO EXPRESAMENTE PROVISTO MÁS ARRIBA, LG CANADÁ NO OTORGA Y POR LA PRESENTE NIEGA TODA OTRA GARANTÍA O CONDICIÓN RESPECTO AL PRODUCTO, EXPRESA O IMPLÍCITA, INCLUYENDO A TÍTULO ENUNCIATIVO MÁS NO LIMITATIVO CUALQUIER GARANTÍA O CONDICIÓN DE COMERCIABILIDAD, O APTITUD PARA UN FIN PARTICULAR; Y NINGUNA DECLARACIÓN SERÁ VINCULANTE PARA LG CANADÁ. LG CANADÁ NO AUTORIZA A NINGUNA PERSONA A CREAR O ASUMIR EN SU NOMBRE CUALQUIER OTRA OBLIGACIÓN DE GARANTÍA EN RELACIÓN CON EL PRODUCTO, EN LA MEDIDA EN QUE TODA GARANTÍA O CONDICIÓN ES IMPLÍCITA DE ACUERDO A LA LEY, ÉSTA SE LIMITA AL PERÍODO DE GARANTÍA EXPRESA MENCIONADO MÁS ARRIBA. LG CANADÁ, EL FABRICANTE O DISTRIBUIDOR NO SERÁN RESPONSABLES POR DAÑOS INCIDENTALES, CONSECUENTES, ESPECIALES, DIRECTOS O INDIRECTOS, PÉRDIDA DE LLAVE DE COMERCIO, GANANCIAS PERDIDAS, DAÑOS PUNITIVOS O EJEMPLARES, O CUALQUIER OTRO DAÑO, YA SEA QUE SURJAN DIRECTA O INDIRECTAMENTE DE CUALQUIER INCUMPLIMIENTO CONTRACTUAL, ESENCIAL O DE OTRO TIPO, O POR CUALQUIER ACCIÓN U OMISIÓN, ACTO ILÍCITO CIVIL EXTRA CONTRACTUAL, O CUALQUIER OTRO. Esta garantía le otorga los derechos legales específicos. Usted podría contar con otros derechos, que pueden variar de provincia a provincia, dependiendo de las leyes provinciales vigentes. Todo término incluido en esta garantía que negara o modificara cualquier condición o garantía implícita sujeta a la ley provincial es divisible y separable cuando entre en conflicto con la ley provincial sin afectar el resto de los términos de esta garantía.

ESTA GARANTÍA LIMITADA NO CUBRE:

1. Viajes de servicio para entregar, recoger o instalar el producto; la instrucción al cliente sobre el funcionamiento del producto; la reparación o reemplazo de fusibles o, la corrección del cableado o de la instalación de agua, ni arreglo de reparaciones o instalaciones no autorizadas.
2. Mal funcionamiento del producto durante fallas e interrupciones eléctricas o servicio eléctrico inadecuado.
3. Daño causado por cañerías de agua rotas o con pérdidas, cañerías de agua congeladas, conductos de drenaje restringidos, provisión de agua interrumpida o inadecuada, o provisión inadecuada de aire.
4. Daño causado por la utilización del Producto en una atmósfera corrosiva o contraria a las instrucciones incluidas en el manual del propietario.
5. Daño al Producto ocasionado por accidentes, plagas y pestes, rayos, viento, fuego, inundaciones o actos de la Naturaleza.
6. Daño causado por el mal uso, abuso, instalación, reparación o mantenimiento inapropiados del Producto. La reparación inapropiada incluye la utilización de piezas no aprobadas o especificadas por LG Canadá.
7. Daño o mal funcionamiento del Producto causado por la modificación o alteración no autorizada, o utilización para otro uso que no fuera el previsto, o que resultara de cualquier pérdida de agua ocasionada por una instalación inapropiada.
8. Daño o mal funcionamiento del Producto causado por corriente eléctrica o voltaje incorrectos, o códigos de cañería, utilización comercial o industrial, o por la utilización de accesorios, componentes o productos de limpieza no aprobados por LG Canadá.
9. Daño causado por el transporte y manejo del Producto, incluidos rasguños, abolladuras, daño a la pintura y/o cualquier otro daño al acabado del producto, salvo que dicho daño hubiese sido causado por defectos en los materiales o mano de obra y se reportase dentro de una (1) semana a partir de la fecha de entrega.
10. Daño o elementos faltantes de cualquier Producto de exposición, caja abierta, producto de descuento o restaurado.
11. Productos con números de serie originales que hayan sido removidos, alterados o que no pueden ser determinados fácilmente. Se necesitan los números de Serie y el Modelo, junto con el recibo original de ventas, a fin de validar la garantía.
12. Aumentos en los gastos de los servicios públicos y gastos adicionales en dichos servicios.
13. Reemplazo de bombillas, filtros o de cualquier pieza consumible.
14. Reparaciones cuando su Producto es utilizado de manera distinta al uso hogareño, normal y corriente (incluidos, a título ejemplificativo, usos comerciales, en oficinas o instalaciones de recreación) o contraria a las instrucciones incluidas en el manual del usuario del producto.
15. Gastos relacionados con la desinstalación del Producto en su casa para su reparación.
16. Remoción y reinstalación del Producto si es instalado en una ubicación a la que es imposible de acceder o si no está instalado de acuerdo con las instrucciones publicadas de instalación, incluidos los manuales de instalación y del propietario.
17. Accesorios del producto, como ser bandejas de puerta, cajones, manijas, estantes, etc. También están excluidas las piezas que no hayan sido incluidas originalmente con el Producto.

Todos los gastos asociados con las circunstancias de exclusión mencionadas anteriormente deberán ser afrontados por el consumidor.

Para obtener los detalles de la garantía y servicio de atención al cliente, sírvase comunicarse telefónicamente o visitar nuestro sitio Web:

Comuníquese al 1-888-542-2623 (24 horas al día, 365 días al año) y seleccione la opción apropiada del menú, o bien visite nuestro sitio Web en <http://www.lg.ca>

Ingrese la información de su garantía aquí:

Información de registro del producto: _____

Modelo: _____

Número de serie: _____

Fecha de compra: _____



MANUEL DU PROPRIÉTAIRE LAVE-VAISSELLE

Veillez lire attentivement ce manuel du propriétaire avant de mettre l'appareil en fonctionnement, et le garder toujours à portée.

LDT9965BD

SOMMAIRE

3 INFORMATIONS IMPORTANTES DE SÉCURITÉ

- 3 Précautions d'usage
- 4 Sécurité électrique
- 5 Avant d'utiliser le lave-vaisselle
- 5 Caractéristiques

6 PIÈCES ET FONCTIONS

- 6 Fonctions
- 7 Pièces
- 8 Panneau de contrôle
- 10 Tableau des options de cycle
- 10 Icônes
- 11 Tableau de sélection de cycle

12 CONSIGNES DE FONCTIONNEMENT

- 12 Démarrage rapide
- 13 Chargement du panier inférieur
- 14 Rabattre le ratelier inférieur
- 15 Chargement du panier à couverts
- 16 Chargement du panier supérieur
- 16 Rabattre le ratelier supérieur
- 17 Panier supérieur à hauteur réglable
- 18 Chargement du panier à couverts (sur certains modèles)
- 18 Plateau à hauteur réglable (sur certains modèles)
- 19 Ajout de détergent dans le bac de distributeur
- 20 Ajout de produit de rinçage dans le bac de distributeur

21 ENTRETIEN & NETTOYAGE

- 21 Nettoyage des filtres
- 22 Nettoyage des pièces métalliques
- 22 Nettoyage du bras de lavage inférieur
- 22 Nettoyage du bras de lavage supérieur
- 23 Nettoyage du bras de lavage au sommet
- 23 Entretien saisonnier et stockage

24 QUESTIONS/RÉPONSES

27 DÉPANNAGE

- 27 Avant d'appeler le dépannage

28 SMART DIAGNOSIS™

- 28 SMART DIAGNOSIS™

29 GARANTIE

- 29 Informations d'enregistrement du produit

MERCI

Félicitations pour votre achat et bienvenue dans la famille LG. Votre nouvel lave-vaisselle LG associe un fonctionnement silencieux et efficace à un lavage de pointe. Suivez les consignes d'utilisation et d'entretien de ce manuel et votre lave-vaisselle vous apportera de nombreuses années de bons services.

INFORMATIONS IMPORTANTES DE SÉCURITÉ

LISEZ TOUTES LES CONSIGNES AVANT UTILISATION

Votre sécurité et celle des autres est très importante.

Nous fournissons de nombreux conseils de sécurité importants dans ce manuel et sur votre appareil. Lisez toujours l'ensemble des messages de sécurité et respectez-les.



Ceci est un symbole de danger. Ce symbole vous alerte sur des dangers potentiels qui peuvent entraîner la destruction de l'appareil ou des blessures graves, voire la mort.

Le symbole de danger sera suivi par le mot « AVERTISSEMENT » ou « DANGER » puis par un message de sécurité important. Ces mots signifient :

⚠ AVERTISSEMENT Indique le risque de blessures graves ou de mort.

⚠ DANGER Indique le risque de blessure ou de destruction de l'appareil.

PRÉCAUTIONS D'USAGE

⚠ AVERTISSEMENT **Pour réduire le risque d'incendie, de choc électrique ou de blessures durant le fonctionnement de l'appareil, respectez les précautions d'usage, y compris les suivantes :**

Ce manuel contient des informations très importantes concernant l'installation, l'utilisation et l'entretien de votre lave-vaisselle. Le fabricant ne peut être tenu responsable en cas de blessure ou de dégâts causés par le non-respect de ces consignes de sécurité.

- Lisez attentivement toutes les consignes avant d'utiliser le lave-vaisselle.
- N'utilisez le lave-vaisselle que pour ses fonctions prévues.
- N'utilisez que les détergents et produits de rinçage recommandés pour un lave-vaisselle. Maintenez tous les détergents et produits hors de portée des enfants.
- Cet appareil n'est pas destiné à être utilisé par de jeunes enfants.
- Lors du remplissage du lave-vaisselle :
 - 1) Chargez les objets coupants de manière à ce qu'ils ne risquent pas d'endommager le joint de la porte.
 - 2) Chargez les couteaux pointus avec le manche vers le haut afin de réduire le risque de blessure lors de la manipulation.
- Ne mettez pas d'objets en plastique dans le lave-vaisselle à moins qu'ils ne portent la mention « lavable en lave-vaisselle » ou équivalent. Pour les objets en plastique qui ne portent pas cette mention, consultez les recommandations du fabricant.
- Ne mettez pas le lave-vaisselle en marche tant que toutes les portes ne sont pas correctement fermées.
- Ne modifiez pas les touches de contrôle.
- Ne forcez pas et ne posez pas votre poids sur la porte ou les paniers du lave-vaisselle.
- Afin de réduire le risque de blessure, ne laissez pas les enfants jouer à l'intérieur ou à proximité du lave-vaisselle.
- Dans certaines conditions, de l'hydrogène peut se former dans un système d'eau chaude n'ayant pas été utilisé pendant plus de deux semaines. L'HYDROGÈNE EST UN GAZ EXPLOSIF. Si le système d'eau chaude n'a pas été utilisé pendant une telle période, ouvrez tous les robinets d'eau chaude et laissez l'eau couler pendant plusieurs minutes. Cela évacuera toute trace d'hydrogène accumulé. Comme l'hydrogène est un gaz inflammable, ne fumez pas pendant ce temps, et n'utilisez pas de feu.
- Retirez la porte du compartiment de lavage lorsque vous vous débarrassez d'un vieux lave-vaisselle.
- L'installateur doit prendre soin de placer le lave-vaisselle dans un endroit totalement clos au moment de l'installation.

PRÉCAUTIONS D'USAGE

⚠ AVERTISSEMENT

Afin de réduire le risque d'incendie, de choc électrique ou de blessures lors de l'utilisation de cet appareil, veuillez prendre des précautions d'usage, dont les suivantes:

Pour un lave-vaisselle branché en permanence :

Cet appareil doit être connecté à un système de branchement permanent en métal relié à la terre, ou un câble d'isolation d'appareil doit être relié à la prise et à un terminal de mise à la terre sur l'appareil. Veuillez consulter un électricien qualifié.

Risque de bascule

N'exercez pas une force excessive sur la porte ouverte du lave-vaisselle avant son installation, cela pourrait endommager l'appareil ou le faire basculer. N'utilisez pas le lave-vaisselle avant son installation complète conformément aux Consignes d'Installation.

SÉCURITÉ ÉLECTRIQUE

⚠ AVERTISSEMENT

Risque de choc électrique

Le non-respect de ces consignes peut entraîner la mort, un incendie ou un choc électrique.

- Le lave-vaisselle DOIT être relié à la masse. Connectez le fil de masse à la prise de masse verte sur le boîtier de terminal.
- N'utilisez pas de rallonge avec cet appareil.
- Le lave-vaisselle est conçu pour recevoir un courant électrique ménager standard (120 Volts alternatif, 60Hz). Avant de connecter le lave-vaisselle, assurez-vous que la prise ou câble est correctement relié à la masse et protégé par un coupe-circuit ou des fusibles. La mauvaise isolation de cet appareil peut entraîner un choc électrique ou le mauvais fonctionnement du lave-vaisselle. Consultez un électricien qualifié.
- Installez et stockez le lave-vaisselle dans un lieu abrité du soleil et de l'humidité. Le non-respect de cette précaution peut entraîner un choc électrique, un incendie, un mauvais fonctionnement et/ou une déformation du lave-vaisselle.
- N'abîmez pas, et ne placez pas d'objets lourds sur le cordon d'alimentation de l'appareil. N'utilisez pas le lave-vaisselle si son cordon d'alimentation est endommagé. Un cordon d'alimentation endommagé peut entraîner un incendie ou un choc électrique. Consultez un électricien qualifié.
- Ne saisissez pas le cordon d'alimentation et ne touchez pas les boutons du lave-vaisselle avec des mains mouillées. N'utilisez pas le lave-vaisselle si son cordon d'alimentation ou sa fiche est endommagé, et ne branchez pas le lave-vaisselle à une prise endommagée. Le non-respect de ces consignes peut entraîner un choc électrique.
- Le démontage et la réparation ne doivent être effectués que par des professionnels qualifiés. Un démontage ou une réparation inadapté peut entraîner une panne de l'appareil ou un choc électrique.

AVANT D'UTILISER LE LAVE-VAISSELLE

Avant d'utiliser le lave-vaisselle, veuillez lire les consignes de sécurité.

La température de la source d'eau doit être de minimum 120 °F (49 °C) pour un lavage optimal et un temps de cycle raisonnable.

Pour cette raison, n'utilisez que la source d'eau chaude. Il est aussi important de remplir le lave-vaisselle selon les consignes pour un nettoyage efficace. Lors du chargement du lave-vaisselle, assurez que les éléments insolubles, tels que les os, les cure-dents, ou les morceaux de papier, ont été retirés.

Lors du chargement du lave-vaisselle, respectez les règles générales suivantes :

1. Placez les objets à fond creux de manière oblique pour permettre à l'eau de s'écouler et faciliter le séchage.
2. Retirez les éléments solides et les traces de brûlure des plats avant de les charger dans le lave-vaisselle.
3. N'insérez que des objets lavables au lave-vaisselle.

GARDEZ CES CONSIGNES

CARACTÉRISTIQUES

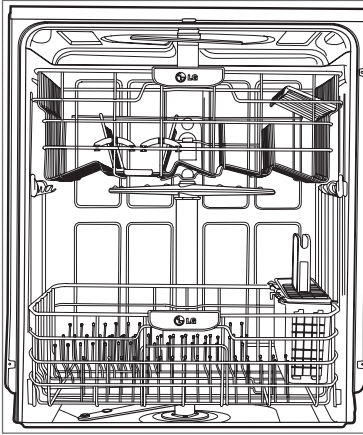
- Alimentation : 120 V, 60 Hz AC uniquement, coupe-circuit minimum 15 A
- Pression d'eau : 20–120 psi (140–830 kPa)
- Taille (LxlxH): 23 3/4" x 24 5/8" x 33 1/2" (603 mm x 625 mm x 851 mm)
- Température de l'arrivée d'eau : 120 °F (49 °C) minimum
- Poids de l'appareil : - LDT9965 : 100.5 lbs.(45.6 kg)

L'apparence et les caractéristiques de l'appareil peuvent changer sans avertissement.

PIÈCES ET FONCTIONS

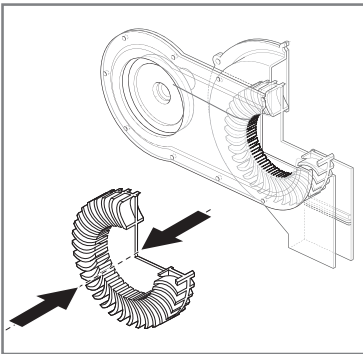
FONCTIONS

GRANDE CAPACITÉ



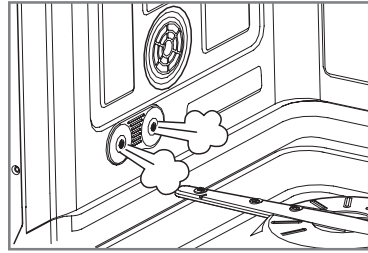
Les lave-vaisselles LG vous permettent d'insérer de très grands plats dans le panier supérieur comme inférieur. Le large bac fournit la capacité générale supplémentaire et l'espace pour recevoir les larges plats. Les plats extra larges (max. 14 pouces) peuvent être installés dans le panier inférieur en soulevant le panier supérieur.

SYSTÈME DE SÉCHAGE HYBRIDE



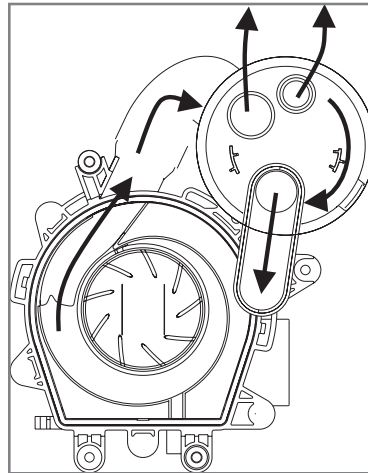
Ce système sèche efficacement la vaisselle sans utiliser un élément de chauffage qui augmenterait la consommation d'énergie.

LAVAGE VAPEUR (sur certains modèles)



La technologie vapeur permet un meilleur nettoyage que les systèmes de lavage courants. La vapeur est le soin le plus économique en énergie pour votre porcelaine et vos verres à pied les plus délicats.

SYSTÈME À JET VARIABLE



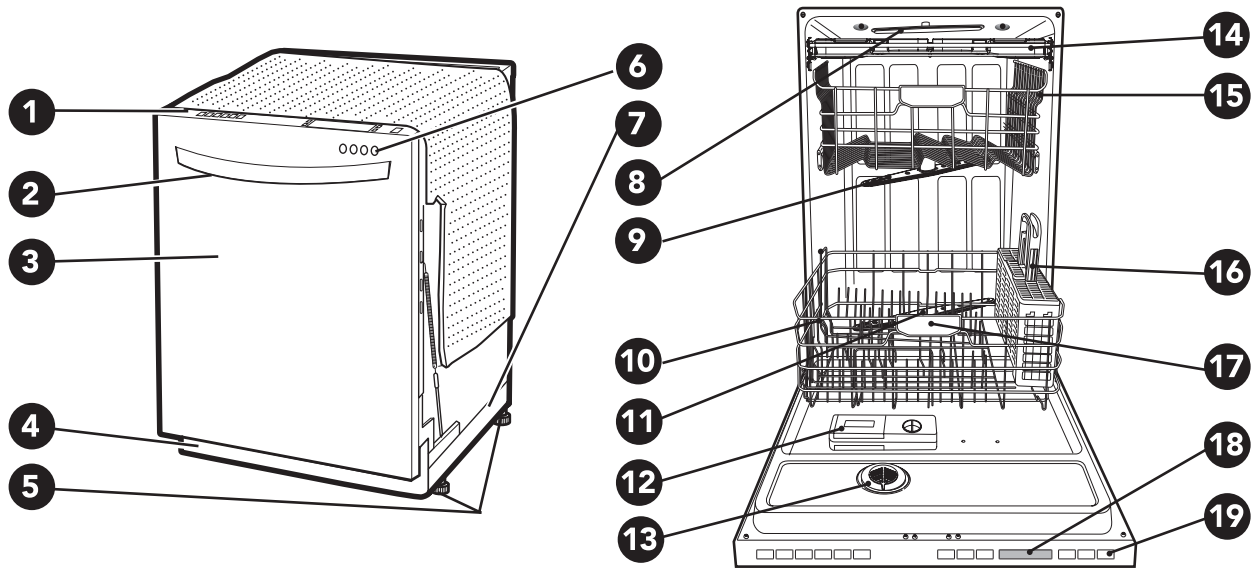
Comme le jet d'eau alterne entre le panier supérieur et inférieur, toute la puissance du moteur est dirigée sur un panier à la fois. Cela concentre toute la puissance de lavage du moteur sur un seul panier à la fois.

TOUCHES LUMINEUSES



Les boutons tactiles situés sur le panneau de contrôle rendent la sélection facile et pratique.

PIÈCES



1. PANNEAU DE CONTRÔLE
2. POIGNÉE DE PORTE
3. COUVERCLE AVANT
4. COUVERCLE INFÉRIEUR
5. PIEDS
6. AFFICHAGE FRONTAL (SIGNALIGHT™)
7. SOCLE

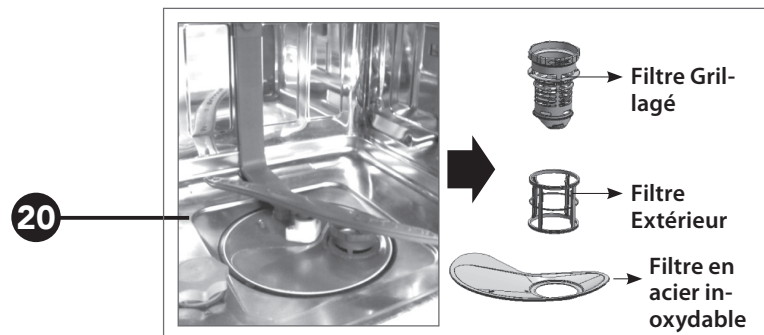
Signalight < voyant lumineux >

Lorsqu'un cycle est en cours, le Signalight < voyant lumineux > s'allumera pendant le stade actif.

- **Modèle à 4 DEL : WASH (LAVAGE) – RINSE (RINÇAGE) – DRY (SÉCHAGE) - CLEAN (PROPRE)**
- **Modèle à 2 DEL : OPERATING (EN FONCTION) - CLEAN (PROPRE)**
- **Modèle à 1 DEL : OPERATING (EN FONCTION) (lumière intermittente) / CLEAN (PROPRE) (lumière allumée)**

Une fois le cycle terminé, la lumière PROPRE s'allumera pendant quatre minutes.

Pour maintenir le voyant CLEAN allumé jusqu'à ce que la porte soit ouverte, mettez l'appareil sous tension puis maintenez les touches Extra Dry et Half Load enfoncées simultanément depuis le panneau de contrôle jusqu'à ce que l'écran affiche Off et On. Le lave-vaisselle gardera ces paramètres en mémoire jusqu'à ce qu'ils soient changés manuellement.



8. BRAS DE LAVAGE AU SOMMET
9. BRAS DE LAVAGE SUPÉRIEUR
10. VAPORISATEUR (SUR LES MODÈLES À VAPEUR)
11. BRAS DE LAVAGE INFÉRIEUR
12. DISTRIBUTEUR DE DÉTERGEANT ET DE PRODUIT DE RINÇAGE
13. COUVERCLE DE VENTILATION POUR LE SÉCHAGE
14. PANIER À COUVERTS (SUR CERTAINS MODÈLES)
15. PANIER SUPÉRIEUR
16. PANIER À COUVERTS
17. PANIER INFÉRIEUR
18. AFFICHAGE SUPÉRIEUR
19. BOUTON DE MISE SOUS TENSION
20. SYSTÈME DE FILTRAGE

PANNEAU DE CONTRÔLE



Cycles

Sélectionnez le cycle que vous désirez

Auto

Ce cycle détecte la charge, la quantité de saleté et la résistance des saletés. Il est optimisé pour fournir les meilleurs résultats de nettoyage.

Heavy (INTENSIF)

Ce cycle est destiné à la vaisselle très sale avec incrustations d'aliments. La Intensif a par défaut l'intensité d'aspersion maximale pour nettoyer la vaisselle très sale.

Delicate (DÉLICAT)

Ce cycle ajoute la puissance douce de la vapeur pour augmenter la puissance de nettoyage du cycle délicat. Ce cycle permet de nettoyer efficacement les objets délicats tels que la porcelaine et les verres à pied.

Dual Wash (MULTI WASH)

Ce cycle lave le panier supérieur et inférieur à une intensité de lavage différente. Par défaut, ce cycle lave le panier inférieur avec un jet de forte intensité de lavage et le panier supérieur avec un jet de faible intensité. Ceci permet un nettoyage optimal pour les chargements mélangés, y compris la porcelaine et les verres à pied.

Normal

Ce cycle convient à la vaisselle normalement sale, aux remplissages de tous les jours.

Quick & Dry (RAPIDE & SÉCHAGE)

Ce cycle raccourci permet de laver et de sécher les plats qui viennent d'être utilisés ou les chargements peu sales. Au cours de ce cycle, les deux bras de lavage fonctionnent en même temps.

ALARME ACTIVÉE/DÉSACTIVÉE

Pour activer ou désactiver l'alarme, commencez par mettre le lave-vaisselle sous tension. Maintenez les Touches "Delicate" et "Quick&Dry" simultanément pendant environ trois secondes.

ANNULER

Pour annuler un cycle, ouvrez la porte puis maintenez les Touches "Delicate" et "Dual Wash" enfoncés pendant environ trois secondes. La pompe de vidange se désactivera et le cycle sera annulé. L'écran affichera « dr » et le lave-vaisselle évacuera l'eau. Une fois l'eau évacuée, le lave-vaisselle se mettra hors tension. Si le lave-vaisselle est mis sous tension et qu'aucun cycle n'est sélectionné, celui-ci se mettra hors tension après quatre minutes.

Options de cycle

(Se référer au panneau de contrôle sur la page suivante)

Appuyez sur le cycle désiré puis sélectionnez les options pour celui-ci.

Extra Dry [SÉCHAGE SUPPLÉMENTAIRE]

Sélectionnez l'option Extra Dry pour un séchage encore plus performant. Cette option ajoute 60 minutes de séchage supplémentaire au cycle. Le bouton "Extra Dry" s'allume lorsque l'option a été sélectionnée.

Rinse [RINÇAGE]

Appuyez de manière répétée sur le bouton "Rinse" pour sélectionner l'option de rinçage désirée. Les voyants de "Sanitary", "Extra Rinse", ou "Sanitary" et "Extra Rinse" s'afficheront dans le coin inférieur gauche de l'écran.

Sanitary [EAU BOUILLANTE] (160°F)

Appuyez de manière répétée sur le bouton RINSE pour sélectionner l'option de rinçage désirée. Les voyants de SANITARY, EXTRA RINSE, ou SANITARY AND EXTRA RINSE s'afficheront dans le coin inférieur gauche de l'écran.

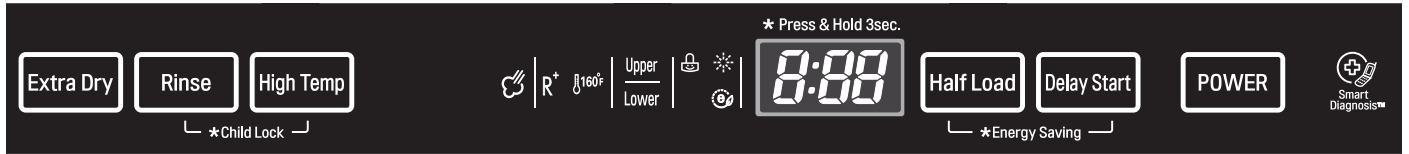
Extra Rinse [RINÇAGE SUPPLÉMENTAIRE] (R+)

Le symbole de Rinçage Supplémentaire indique qu'un rinçage supplémentaire a été ajouté au cycle. Un rinçage supplémentaire peut aider à réduire les traces de calcaire sur les plats. Pour ajouter un rinçage supplémentaire, appuyez de manière répétée sur le bouton "Rinse" jusqu'à ce que le symbole Extra Rinse apparaisse à l'écran.

Rinse Only [RINÇAGE SEUL]

Ce cycle procède à un rinçage rapide pour les plats qui ne vont pas être lavés immédiatement. Ce cycle rince les plats sales pour ramollir les dépôts séchés. Le rinçage des plats permet d'éviter les mauvaises odeurs dans le lave-vaisselle. Ne pas utiliser de détergeant. Pour sélectionner le cycle Rinçage Seul, allumez le lave-vaisselle et appuyez sur le bouton "Rinse" une seule fois sans appuyer sur d'autres boutons de cycle. Le cycle Rinçage Seul n'est pas combinable avec d'autres cycles.

PANNEAU DE CONTRÔLE



Half Load [DEMI-CHARGE]

Pour les faibles charges, vous pouvez simplement utiliser soit le panier supérieur, soit le panier inférieur, afin d'économiser de l'énergie. Chaque pression du bouton "Half Load" bascule entre le panier supérieur seulement, ou le panier inférieur seulement.

Delay Start [DÉMARRAGE PROGRAMMÉ]

La fonction de démarrage programmé vous permet de retarder le démarrage d'un cycle sélectionné. Chaque fois que le bouton "Delay Start" est pressé, le retard de démarrage augmente d'une heure. Le retard de démarrage peut être réglé entre 1 et 24 heures, par incréments d'une heure.

High Temp ON/OFF [Température élevée ACTIVÉE/DÉSACTIVÉE]

Cette option augmente la température de lavage afin d'améliorer le nettoyage.

Child Lock [VERROUILLAGE ENFANT]

La fonction de verrouillage Enfant permet d'empêcher que vos réglages ne soient modifiés en cours de cycle. Lorsque cette fonction est activée, tous les boutons du panneau de contrôle sont verrouillés hormis le bouton de "POWER". Cette fonction ne verrouille pas la porte.

Pour activer le Verrouillage Enfant:

1. Ouvrez la porte du lave-vaisselle.
2. Appuyez sur le bouton de "POWER".
3. Choisissez le cycle (et les options désirées).
4. Maintenez les boutons "Rinse" et "High Temp" enfoncés pendant trois secondes. Le Verrouillage Enfant s'allumera à l'écran une fois que le verrou est activé.
5. Fermez la porte pour débiter le cycle.

AFFICHAGE NUMÉRIQUE

L'affichage numérique sur le panneau de contrôle indique le temps de cycle ESTIMÉ. Lorsque le lave-vaisselle est mis en marche, l'écran est vide. Lorsque le cycle et les options sont sélectionnés, celui-ci indique le temps total estimé pour effectuer ces programmes. En cours de fonctionnement, l'écran indique le temps de programme restant.

* Press & Hold 3sec.

! NOTE

- Le temps estimé indiqué à l'écran n'inclut pas les retards liés au chauffage de l'eau, etc.
- Si l'option "Delay Start" est sélectionnée, l'écran indique le retard de lancement en heures.
- Le temps peut varier en fonction du niveau de saleté de votre vaisselle.

ENERGY SAVING

L'option Energy Saving économise l'énergie en utilisant moins d'eau. Cette option ne doit être utilisée que pour des plats légèrement ou moyennement sales.

! NOTE

The RINSE AID symbol  indicates that the rinse aid needs to be refilled.

POWER [MISE SOUS TENSION]

- Appuyez sur le bouton "POWER" pour allumer le panneau de contrôle. Si aucun cycle n'est sélectionné dans les quatre minutes, le lave-vaisselle s'éteindra.
- Une fois que le cycle est terminé, le lave-vaisselle se met automatiquement hors-tension pour des raisons de sécurité et d'économie.
- En cas de surtension, de coupure d'électricité, ou de panne de toute sorte, le voyant PF s'affichera et le lave-vaisselle sera automatiquement mis hors-tension par sécurité. Le cycle devra être redémarré.

Smart Diagnostic [DIAGNOSTIC INTELLIGENT]

Si vous rencontrez des problèmes avec votre lave-vaisselle, celui-ci peut transmettre des informations à votre Smartphone grâce à l'application LG Smart Laundry & DW, ou à travers la fonction téléphone, au centre d'appel LG.

! AVERTISSEMENT




La vapeur peut causer des brûlures. Soyez vigilants à proximité du vaporisateur, situé sur le côté gauche du lave-vaisselle, si la porte est ouverte durant la partie Vapeur d'un cycle. Le contact avec la vapeur ou avec le vaporisateur peut entraîner des brûlures.

TABLEAU DES OPTIONS DE CYCLE

Le guide de cycle ci-dessous affiche les réglages par défaut et les options disponibles pour

Cycle	Séchage Supplémentaire	Rinçage désinfectant	Rinçage Supplémentaire	Rinçage Supplémentaire/Désinfectant	Demi charge	Démarrage programmé	Energy Saving	High Temp (Température élevée)
Auto	●	●	●	●	●	●		●
Heavy (INTENSIF)	●	●	●	●	●	●		
Delicate (DÉLICAT)	●	●	●	●	●	●	●	●
Dual Wash (MULTI WASH)	●	●	●	●	●	●	●	
Normal	●	●	●	●	●	●	●	●
Quick & Dry (RAPIDE & SÉCHAGE)	●					●		
Rinse (RINÇAGE)						●		

ICONS

	Cycle Vapeur (sur les modèles à vapeur)
R ⁺	Rinçage Supplémentaire
	Rinçage Désinfectant
	Verrouillage Enfant




	Voyant de niveau faible de produit de rinçage
	Cycle Energy Saving
	Indicateur de temps de cycle
Upper	Bras de lavage supérieur
Lower	Bras de lavage inférieur

TABLEAU DE SÉLECTION DE CYCLE

Cycle	Lavage				Rinçage			Séchage	*Utilisation d'eau	**Temps de cycle
	Pré 1	Pré 2	Pré 3	Lavage-Principal	Rinçage 1	Rinçage 2	RinçageChaud			
Auto	●	●	●	122 °F 50 °C ●	●	●	149~158 °F 65~70 °C ●	●	6.1 gal. 23 L	135 Min.
Heavy (INTENSIF)	●	●		140 °F 60 °C ●	●	●	158 °F 70 °C ●	●	6.1 gal. 23.0 L	166 Min.
Delicate (DÉLICAT)	●	●		122 °F 50 °C ●	●		154 °F 68 °C ●	●	4.6 gal. 17.5 L	141 Min.
Dual Wash (MULTI WASH)	●	●		154 °F 68 °C ●	●		158 °F 70 °C ●	●	4.6 gal. 17.5 L	147 Min.
Normal	●	●	●	86-122 °F 30-50 °C ●	●		149-158 °F 65-70 °C ●	●	1.7-6.4 gal. 6.5-20.5 L	110~139 Min.
Quick & Dry (RAPIDE & SEC)	●	●	●	122 °F 50 °C ●	●	●	162 °F 72 °C ●	●	7.6 gal. 29 L	79 Min.
Rinse Only (RINÇAGE SEUL)					●				1.0 gal. 4 L	22 Min.

* La consommation réelle d'eau variera en fonction du niveau de saleté et du calcaire de l'eau.

** le temps réel de cycle variera en fonction du niveau de saleté, de la température et du calcaire de l'eau

CONSIGNES DE FONCTIONNEMENT

DÉMARRAGE RAPIDE

1. CHARGER LES PLATS

Débarrassez les plats de tout excès de nourriture, os, et autres résidus solides et non-solubles. Tirez chaque panier et insérez les plats comme décrit dans le manuel.

2. MESUREZ LE DÉTERGENT

En vous aidant de ce manuel, remplissez le verre de détergent avec la quantité recommandée de détergent et refermez le couvercle. Si vous désirez effectuer un prélavage, remplissez également le bac situé sur le couvercle.

3. ALLUMEZ LE LAVE-VAISSELLE

Pour allumer le panneau d'affichage, appuyez sur le bouton POWER (MISE SOUS TENSION).

4. VÉRIFIEZ LE PRODUIT DE RINÇAGE

Le voyant indicateur de produit de rinçage s'allume si le niveau de produit de rinçage dans le lave-vaisselle est faible. Ajoutez du produit de rinçage si le niveau est faible, afin de maintenir l'efficacité du cycle de séchage.

5. SÉLECTIONNEZ LE CYCLE ET LES OPTIONS

Sélectionnez le cycle et les options qui correspondent le mieux à la charge, en vous référant au Tableau de Sélection de Cycle. L'écran affichera le temps estimé pour le cycle et les options choisies.

6. FERMEZ LA PORTE

Le lave-vaisselle démarrera automatiquement, après un léger retard, lorsque la porte sera fermée et verrouillée. Durant le cycle, l'écran indiquera le temps restant estimé pour le cycle et les options sélectionnées. Si la porte est ouverte durant le cycle, le lave-vaisselle s'arrêtera. Lorsque la porte est fermée, le cycle reprendra au point où il s'est arrêté.

7. FIN DE CYCLE

Lorsque le cycle est terminé, une alarme retentira et l'écran affichera « END ». Après un léger temps, l'écran et les contrôles s'éteindront par sécurité et pour économiser l'énergie.

▲ DANGER

Videz d'abord le panier inférieur, puis le panier supérieur. Cela évitera que de l'eau goutte depuis le panier supérieur sur les plats du panier inférieur.

En général, il n'est pas conseillé d'ouvrir la porte lorsque le lave-vaisselle est en cours de fonctionnement. Si la porte est ouverte, un équipement de sécurité arrête le lave-vaisselle. Soyez vigilants lorsque vous ouvrez la porte immédiatement après le cycle, car de la vapeur peut s'échapper.

AUTO-OFF (MISE EN VEILLE AUTO)

Le lave-vaisselle s'éteindra de manière automatique si aucun cycle n'est sélectionné ou si la porte n'est pas fermée dans les quatre minutes.

CHARGEMENT DU PANIER INFÉRIEUR

⚠ DANGER

OBJECTS N'ALLANT PAS AU LAVE-VAISSELLE

La combinaison d'une eau très chaude et des détergents pour lave-vaisselle peut endommager certains objets. LG ne recommande pas le lavage en machine des éléments suivants :

- Plats avec de l'argent ou des feuilles d'or peints à la main.
- Vaisselle avec des manches en bois ou en os
- Vaisselle en métal ou qui tend à rouiller
- Éléments en plastique non recommandés pour le lave-vaisselle

En cas de doute, consultez les recommandations du fabricant.

Le compartiment extra-large permet de charger des plats, des poêles ou autres plats jusqu'à 14 pouces de haut.

Le panier inférieur est recommandé pour les assiettes à dîner, les bols de soupe, les plats, les casseroles, les poêles, les couvercles et les plateaux de grill. Les assiettes doivent être positionnées à la verticale et face au centre du panier. Les casseroles, les poêles et les grands bols doivent être tournés de manière à ce que l'intérieur soit à la verticale et face au centre du panier. Les casseroles, les poêles et les saladiers doivent être tournés l'intérieur vers le bas. Le panier à couverts peut être utilisé soit dans le panier supérieur, soit dans le panier inférieur.

Le panier inférieur ne doit pas être utilisé pour les petits objets tels que les tasses, les verres à vin ou les petites assiettes. Ces objets doivent être chargés dans le panier supérieur.

Chargez les plats très sales ou tachés sur la partie avant gauche du panier inférieur, avec la face sale vers le bas. C'est la zone où se trouve le pouvoir nettoyant du lave-vaisselle. La vapeur maximise la puissance de lavage du lave-vaisselle.

SUGGESTION DE CHARGEMENT DES PANIERS



AUTRE EXEMPLE DE CHARGEMENT



CONSEILS DE CHARGEMENT DU PANIER INFÉRIEUR :

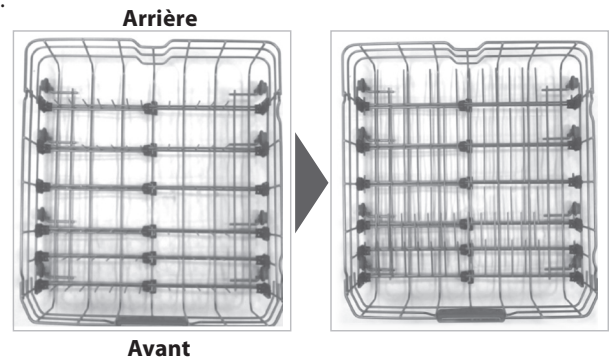
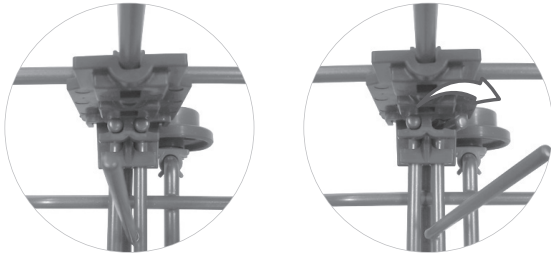
- Placez les assiettes, les bols de soupe, etc. entre les dents.
- Placez les plateaux à cookies, les moules et autres objets larges sur les côtés ou à l'arrière du panier. Si vous placez ces objets à l'avant du lave-vaisselle, cela peut empêcher le jet d'eau d'atteindre le distributeur de détergent.
- Assurez-vous que les manches des casseroles et autres larges objets n'empêchent pas la rotation des bras de lavage.

! NOTE

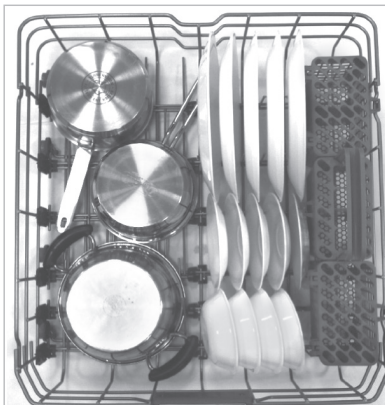
Assurez-vous que les grands plats n'empêchent pas la rotation des bras de lavage, et n'empêchent pas l'ouverture du bac à détergent.

RABATTRE LE RÂTELIER INFÉRIEUR

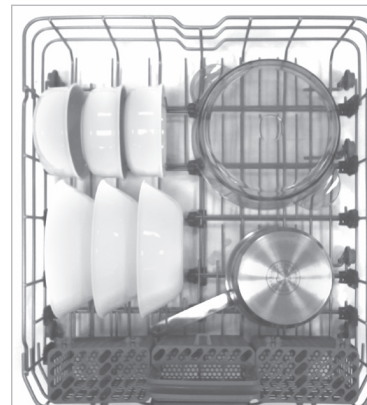
Les dents sont réglables pour accommoder des plats de différentes tailles.



CHARGEMENT DES PLATS ET CASSEROLES

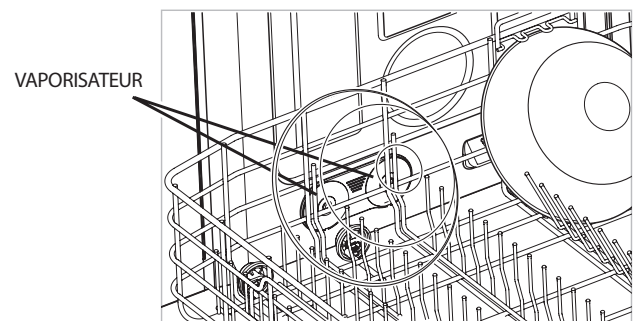


CHARGEMENT DES CASSEROLES ET BOLS



NOURRITURE INCRUSTÉE SUR LES PLATS

Placez les éléments avec de la nourriture incrustée ou grillée près des bras de lavage de vapeur, vers le côté gauche du panier inférieur, face vers le bas. Les plats bénéficieront du jet de vapeur direct et de l'action nettoyante du bras de lavage.



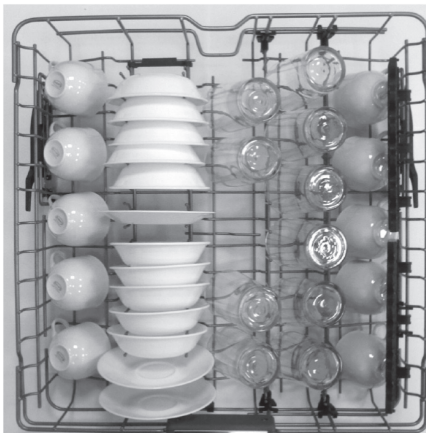
CHARGEMENT DU PANIER SUPÉRIEUR

Servez-vous du panier supérieur pour les objets petits ou délicats tels que les petites assiettes, les tasses, les soucoupes, les verres et les objets en plastique lavables en lave-vaisselle. Les tasses, verres et bols doivent être placés à l'envers. Les tasses supplémentaires ou les ustensiles de cuisine peuvent être posés pardessus les compartiments à tasses rabattus, qui peuvent aussi servir de support aux verres à long pied. Assurez-vous que les objets n'empêchent pas la rotation des bras de lavage situés au-dessus et au-dessous du panier supérieur.

! NOTE

Lorsque vous chargez des objets larges sur le panier supérieur, comme des verres à vin ou de grandes tasses, il peut être nécessaire de retirer le panier à couverts.

SUGGESTION DE CHARGEMENT DES PANIERS



AUTRE EXEMPLE DE CHARGEMENT

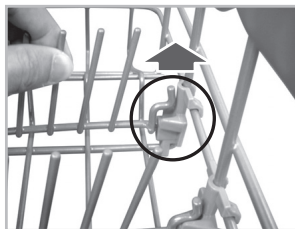


CONSEILS DE CHARGEMENT SUR LE PANIER SUPÉRIEUR :

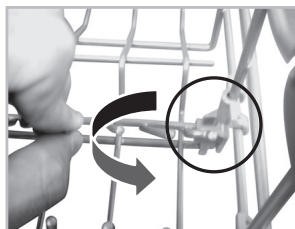
- Placez les tasses et verres dans les rangées entre les dents du râtelier. Le positionnement par-dessus les dents du râtelier peut entraîner la casse ou des marques d'eau.
- Pour éviter qu'ils ne se fêlent, ne laissez pas les verres à pied en contact avec d'autres objets.
- Placez les objets face ouverte vers le bas pour le nettoyage et séchage.
- N'entassez pas des objets les uns sur les autres.

RABATTRE LE RÂTELIER SUPÉRIEUR

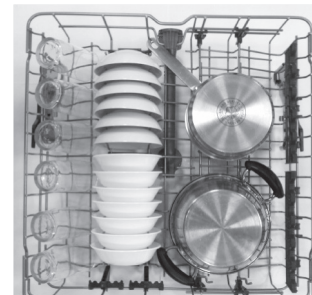
Soulevez la grille



Tournez la grille



Les grilles peuvent être positionnées vers le haut et vers le bas. Les dents de droite possède des poignées pour les plats plus larges ou plus petits.

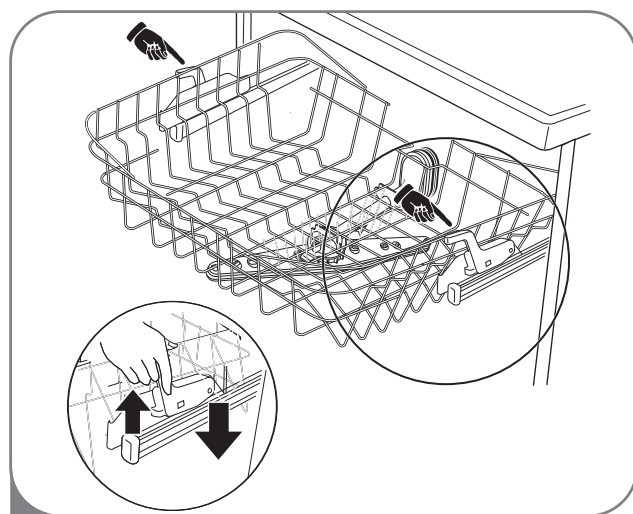


PANIER SUPÉRIEUR À HAUTEUR RÉGLABLE

Le panier supérieur se règle vers le haut et vers le bas. Relevez le panier supérieur pour permettre le placement d'objets grands ou surdimensionnés, jusqu'à 14 pouces, dans le panier inférieur. Descendez le panier supérieur vers le bas pour permettre le placement de grands plats, jusqu'à 12 pouces, dans le panier supérieur. Le panier supérieur est en position relevée par défaut.

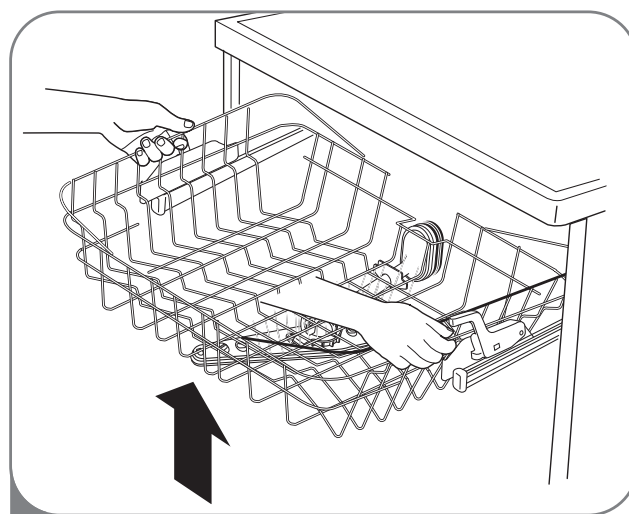
! NOTE

Après le réglage, assurez-vous que les plats situés dans les paniers supérieur et inférieur n'empêchent pas la rotation du bras de lavage. Ne réglez pas le panier lorsqu'il est chargé de plats.



1 Pour abaisser le panier :

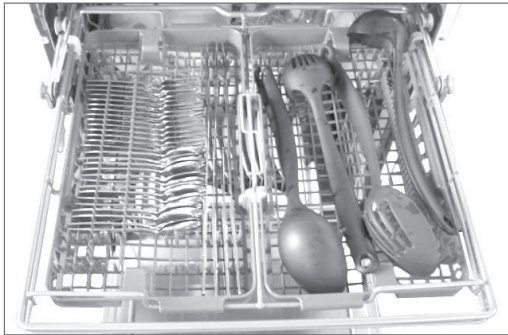
Soutenez le panier au centre de chaque côté pour en supporter le poids. Puis, soulevez la languette de chaque côté pour libérer le panier et abaissez-le en position basse.



2 Pour relever le panier :

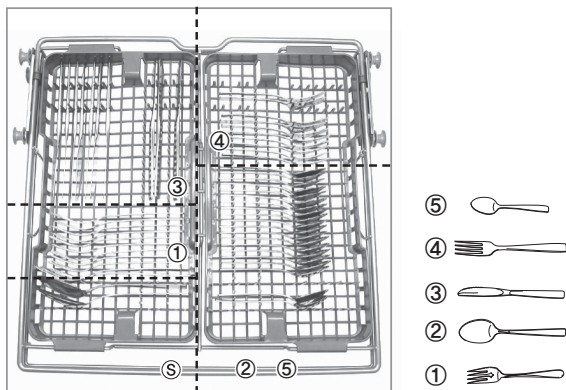
Soulevez simplement le panier au centre de chaque côté (voir illustration) jusqu'à ce que le panier se bloque en position haute. Il n'est pas nécessaire de soulever les languettes de verrouillage pour relever le panier.

CHARGEMENT DU PANIER À COUVERTS

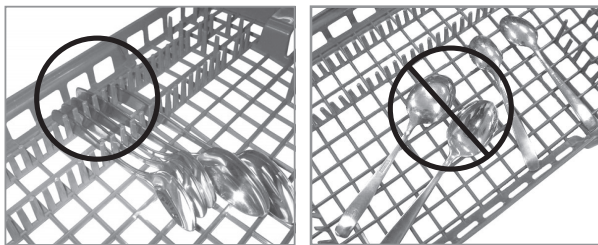


Le panier à couverts convient idéalement aux ustensiles plats, pour cuisiner ou pour servir. Les séparateurs des paniers à couverts permettent de maintenir les ustensiles plats séparés afin d'éviter de les endommager et d'améliorer leur nettoyage. Le support peut également accueillir des petits bols de préparation et les couvercles. Utilisation de la panier vous permet de supprimer les paniers à argenterie des paniers inférieurs.

NOTE: Pour de meilleures performances de nettoyage, placer les couverts dans les paniers à argenterie. Les ustensiles très sales ou les plats ayant servi au four doivent être placés sur le panier du milieu ou dans le panier à cuillère pour un meilleur lavage.

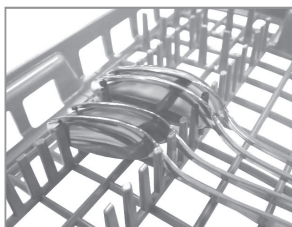


Exemple d'arrangement pour 10 éléments.



Correct

Incorrect

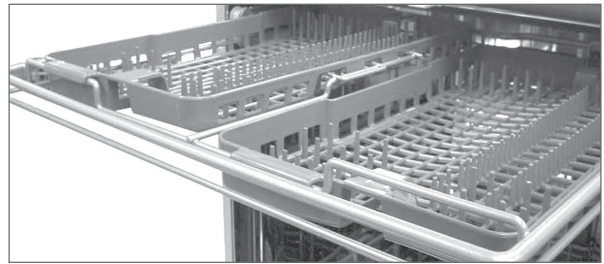


Alternative

Si les manches de vos ustensiles plats sont trop épais, renversez les éléments afin que les manches soient dans la direction opposée, comme indiqué sur la figure ci-dessous.

PLATEAU À HAUTEUR RÉGLABLE

Chaque plateau de côté peut être réglé indépendamment en position haute ou basse pour accommoder différentes tailles d'ustensiles ou de couverts. Retirez les plats avant de régler le plateau.



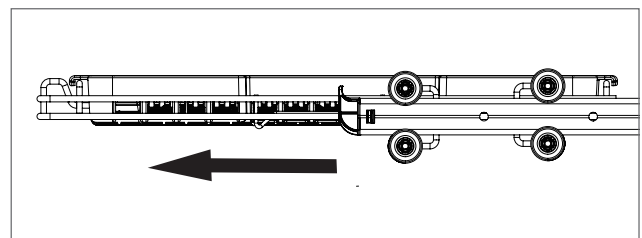
Chaque plateau est réglé en le soulevant et en basculant l'avant vers l'arrière.

Retrait du panier à couverts

L'ensemble du panier à couverts peut être retiré si plus d'espace est nécessaire sur le panier supérieur pour des objets larges.

! NOTE

Retirez toujours les couverts du panier avant d'enlever celui-ci.



Tirez le panier jusqu'à l'extrémité des rails. Puis soulevez l'avant du panier afin que les roulements se dégagent de la butée située à l'extrémité du rail. Le panier peut maintenant être glissé vers l'avant et retiré des rails.

▲ AVERTISSEMENT

Soyez vigilant lorsque vous chargez ou déchargez des objets tranchants. Placez les couteaux aiguisés lame vers le bas pour éviter le risque de blessure.

AJOUT DE DÉTERGENT DANS LE DISTRIBUTEUR

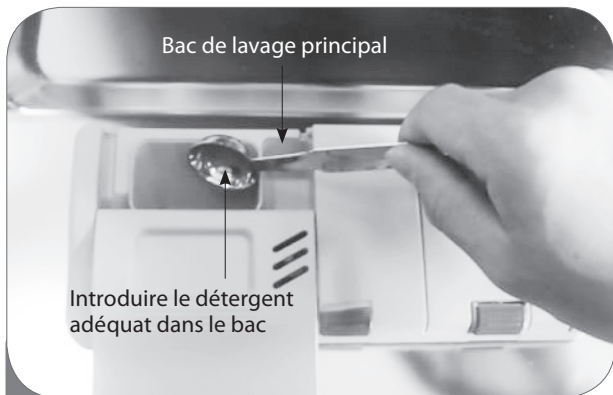
- N'utilisez que du détergent prévu pour les lave-vaisselle.
- Le détergent doit être placé dans son compartiment avant le début d'un cycle, excepté pour le cycle de Rinçage Seul.
- Utilisez moins de détergent si les plats ne sont que peu sales. Un excès de détergent peut laisser un film sur les plats et dans le lave-vaisselle, entraînant un lavage de mauvaise qualité.
- La quantité de détergent voulue dépend du cycle, de la quantité de vaisselle et du niveau de saleté des plats.

! NOTE

Retirez l'étiquette sur le distributeur avant de mettre le lave-vaisselle en marche.



- 1 Si le couvercle est fermé, appuyez sur la languette en bas du couvercle pour ouvrir le distributeur.



- 2 Ajoutez du détergent dans le compartiment principal jusqu'à contenir entre les marques 20 et 30. Remplir jusqu'à 30 en cas d'eau calcaire et de vaisselle très sale, ou à 20 en cas d'eau sans calcaire et de vaisselle peu sale.

Fermez le couvercle jusqu'à entendre un clic.

! NOTE

N'AJOUTEZ PAS de détergent lorsque le cycle RINSE ONLY est sélectionné.



- 3 Si vous désirez un pré lavage, remplissez le compartiment de pré lavage situé dans le couvercle avec du détergent.

! NOTE

Trop de détergent peut laisser un film sur les plats dans le lave-vaisselle, entraînant un lavage de mauvaise qualité.

Ne pas utiliser de pastilles de détergent pour les cycles de lavage courts. Les pastilles peuvent ne pas se dissoudre complètement, laisser des traces sur la vaisselle et causer un lavage inefficace.

! DANGER

INFORMATIONS RELATIVES AU DÉTERGENT

N'utilisez que le détergent prévu pour les lave-vaisselle automatiques. Un détergent inapproprié peut remplir le lave-vaisselle de mousse pendant son fonctionnement. Un excès de mousse peut réduire la qualité du lavage et créer des fuites dans le lave-vaisselle. N'UTILISEZ PAS de liquide vaisselle dans ce lave-vaisselle.

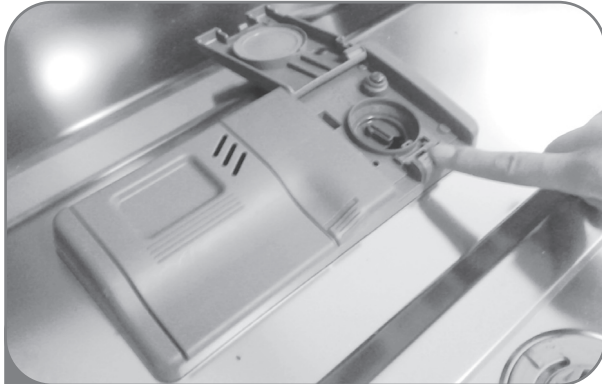
AJOUT DE PRODUIT DE RINÇAGE DANS LE DISTRIBUTEUR



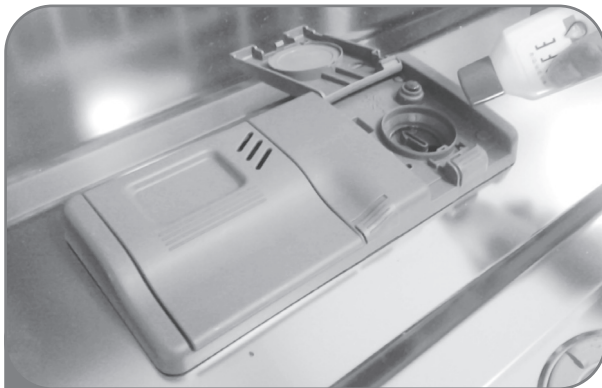
Le voyant de Faible niveau de produit de rinçage s'allume lorsque plus de produit de rinçage est nécessaire.

N'utilisez que du produit de rinçage liquide dans ce lave-vaisselle.

Il est recommandé d'utiliser du produit de rinçage pour prévenir les traces d'eau sur les plats et pour améliorer le séchage.



1 Appuyez sur le bouton pour ouvrir le couvercle.

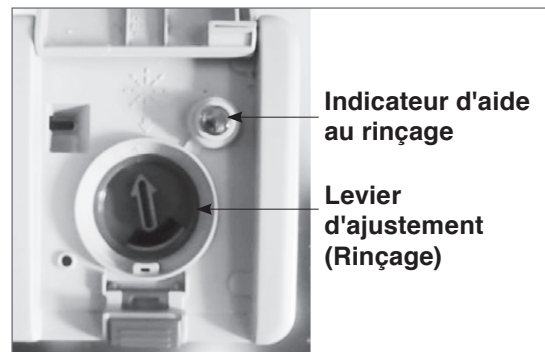


2 Ajoutez du produit de rinçage liquide jusqu'au la marque de niveau. Lors du remplissage du distributeur de produit de rinçage, déversez le produit sur la flèche. Assurez-vous que le produit de rinçage repose dans le distributeur lors du remplissage.



3 Fermez le couvercle pour verrouiller le distributeur. Le produit de rinçage sera distribué automatiquement au cours du dernier cycle de rinçage.

RÉGLAGE DU DISTRIBUTEUR DE PRODUIT DE RINÇAGE



Le distributeur de produit de rinçage est réglé au niveau 4, qui devrait donner les meilleurs résultats dans la plupart des cas. Réglez le niveau plus haut si vous notez des traces d'eau et des dépôts calcaires sur vos plats.


Si vous notez un film sur vos plats, réglez à un niveau plus bas. Un réglage trop faible de la distribution de produit de rinçage contribuera à tacher et strier les plats et diminuera les performances de séchage. Un réglage trop fort peut causer l'apparition de mousse, ce qui diminuera les performances de lavage.

Pour ajuster le réglage du distributeur de produit de rinçage, retirez le couvercle et ajustez la languette de produit de rinçage au niveau désiré. Pointez la flèche vers la gauche pour diminuer, et vers la droite pour augmenter.

RECHARGEMENT DU PRODUIT DE RINÇAGE

La fréquence de rechargement du produit de rinçage dépend de la fréquence d'utilisation du lave-vaisselle et du niveau de distribution sélectionné. Si le niveau du produit de rinçage est faible, le voyant de Produit de Rinçage s'allumera sur le panneau de contrôle.

CONSEILS DE RECHARGEMENT DU PRODUIT DE RINÇAGE :

-  Le voyant Produit de Rinçage Faible apparaît à l'écran lorsque plus de produit de rinçage est nécessaire.
- Ne surchargez pas le distributeur de produit de rinçage.
- Nettoyez le produit de rinçage ayant débordé pour éviter la formation de mousse.

ENTRETIEN & NETTOYAGE

Pour de meilleurs résultats, il est important de vérifier et d'entretenir régulièrement les bras de lavage.

⚠ AVERTISSEMENT

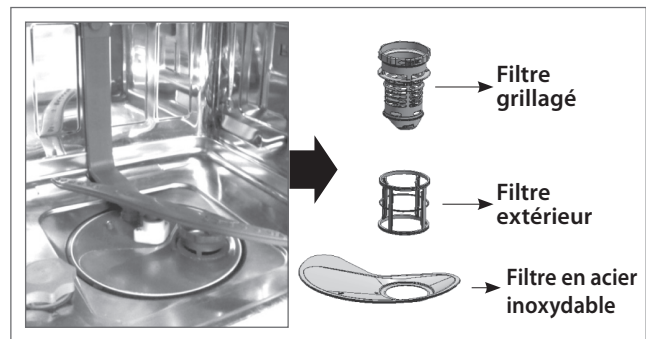
Pour éviter les blessures durant l'entretien et le nettoyage, portez des gants et/ou des vêtements de protection

NETTOYAGE DES FILTRES

1. Retirez d'abord le panier inférieur.
2. Tournez le filtre grillagé dans le sens antihoraire.
3. Retirez le filtre grillagé, le filtre en acier inoxydable et le filtre extérieur.
4. Nettoyez-les si nécessaire.
5. Remplacez-les dans l'ordre inverse.

! NOTE

- Pour de meilleures performances de lavage, nettoyez le filtre après chaque utilisation. Si des résidus de nourriture restent coincés dans le filtre, cela peut provoquer des odeurs.
- Avant de commencer un cycle, assurez-vous que le filtre est correctement positionné. Si le filtre n'est pas correctement positionné, le nettoyage peut être de mauvaise qualité.
- Si votre eau est calcaire, il est recommandé de nettoyer ce filtre au moins une fois par mois.



Les trois filtres doivent être nettoyés selon les recommandations données dans le tableau ci-dessous. Nettoyez les filtres à l'aide d'objets et de produits non abrasifs et d'eau tiède. Une brosse souple peut être nécessaire pour déloger les salissures tenaces.

! NOTE



- Le capot inférieur du filtre en grillagé peut être ouvert pour faciliter son nettoyage.
- Refermez le capot inférieur avant de remettre le filtre en place.

⚠ DANGER

- Une brosse douce pourrait être requise lors du nettoyage du filtre en acier inoxydable.
- Méfiez-vous des bordures coupantes lors de la manipulation du filtre en acier inoxydable.

Tableau de nettoyage recommandé du filtre :

Nombre de lavages par semaine	Si vous nettoyez les plats avant de les placer dans le lave-vaisselle	Si vous grattez et rincez les plats avant le chargement	Si vous grattez simplement les plats avant le chargement dans le lave-vaisselle	Si vous ne grattez pas et ne rincez pas les plats avant le chargement
1-3	Tous les 6 mois	Une fois par an	Quatre fois par an	Une fois par an
4-7	Tous les 6 mois	Une fois par an	Quatre fois par an	Deux fois par mois (tous les 15 jours)
8-12	Tous les 6 mois	Tous les 6 mois	Tous les 1.5 mois	Chaque semaine
13-14	Tous les 6 mois	Tous les 6 mois	Tous les 1.5 mois	Deux fois par semaine

! NOTE

Si votre lave-vaisselle présente une mauvaise évacuation, vérifiez la membrane à air de la canalisation ou le broyeur de l'évier.

La membrane à air de la canalisation et le broyeur sont des dispositifs de plomberie externes qui ne font pas partie de votre lave-vaisselle.

La garantie fournie avec votre lave-vaisselle ne couvre pas les coûts de service directement liés au nettoyage ou à la réparation de la plomberie externe, y compris la membrane à air de la canalisation et le broyeur.

NETTOYAGE DE L'INTÉRIEUR

- Nettoyez régulièrement l'intérieur de votre lave-vaisselle avec une éponge ou un chiffon doux humide pour retirer les résidus de nourriture et les particules de saleté.
- Pour éliminer les odeurs et les taches blanches à l'intérieur du lave-vaisselle, lancez un cycle à vide avec du détergent ou bien avec l'équivalent d'une tasse de vinaigre blanc dans un verre ou un bol lavable en lave-vaisselle placé dans le panier supérieur. (Le vinaigre étant un acide, ne l'utilisez pas constamment, car il pourrait endommager votre appareil.)

NETTOYAGE DE L'EXTÉRIEUR

- Dans la plupart des cas, l'extérieur de votre lave-vaisselle peut être nettoyé avec une éponge ou un chiffon doux humide, puis séché avec un chiffon doux sec.
Si l'extérieur de votre lave-vaisselle est en acier inoxydable, il est recommandé d'utiliser un produit nettoyant adapté à ce matériau.

NETTOYAGE DU BRAS DE LAVAGE INFÉRIEUR



- Assurez-vous que les trous du jet d'eau ne sont pas bloqués par des miettes de nourriture.
- Lorsqu'un nettoyage est nécessaire, retirez le bras de lavage inférieur en tirant vers le haut.
- Après avoir nettoyé le bras de lavage inférieur, remplacez-le en enfonçant jusqu'à ce qu'il s'attache de nouveau en place. Assurez-vous que le bras de lavage peut tourner librement.

NETTOYAGE DU BRAS DE LAVAGE SUPÉRIEUR

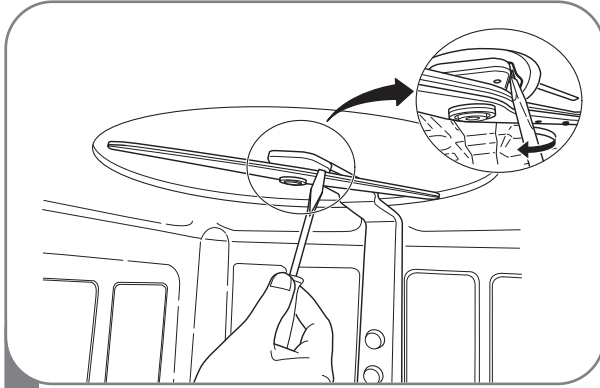


- Tirez le panier supérieur vers l'avant. Assurez-vous que les trous du jet d'eau ne sont pas bloqués par des miettes de nourriture.
- Lorsqu'un nettoyage est nécessaire, retirez le bras de lavage supérieur en tournant l'écrou situé sur la base du bras de lavage d'un huitième de tour antihoraire et en enfonçant.

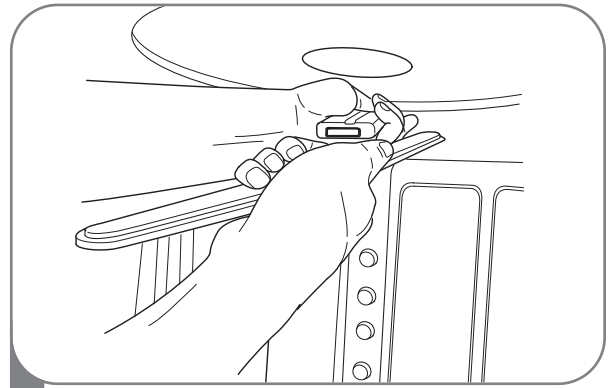


- Après avoir nettoyé le bras de lavage supérieur, appuyez de nouveau pour le remettre en place. Tournez l'écrou d'un huitième de tour horaire et assurez-vous que l'écrou se verrouille en position.

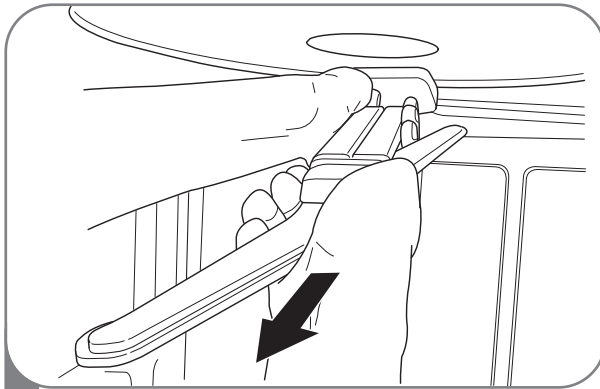
NETTOYAGE DU BRAS DE LAVAGE AU SOMMET



- 1 Assurez-vous que les trous du jet d'eau ne sont pas bloqués par des miettes de nourriture. Lorsqu'un nettoyage est nécessaire, utilisez un tournevis pour libérer la languette de maintien du support qui soutient le montage du bras de lavage au réservoir.



- 3 Après avoir nettoyé le bras de lavage au sommet, remplacez-le. Glissez-le de nouveau en place et assurez-vous que la languette de maintien se bloque.



- 2 Retirez le bras de lavage.

ENTRETIEN SAISONNIER ET STOCKAGE

- Si vous vous absentez pour une longue période durant les mois chauds, il est recommandé de fermer l'arrivée d'eau et de débrancher le cordon d'alimentation, ou d'éteindre le coupe-circuit. Nettoyez le filtre, la cuve et le bac à produits pour prévenir les odeurs.
- Si vous vous absentez pour une longue période durant les mois froids, et que les températures peuvent être glaciales, il est recommandé d'hiverner les conduits d'arrivée d'eau et le lave-vaisselle. L'hivernisation doit être effectuée par un professionnel qualifié.

QUESTIONS/RÉPONSES

QUESTIONS COURANTES SUR LE PRODUIT

Faut-il utiliser un produit de rinçage?

Le produit de rinçage est fortement recommandé pour améliorer les performances de séchage du lave-vaisselle. Afin de minimiser les gaspillages d'énergie, le système de séchage hybride n'utilise pas d'élément de chauffage pour aider le séchage, et un produit de rinçage joue donc un grand rôle dans la procédure de séchage. Si un produit de rinçage n'est pas utilisé, de l'eau peut rester sur les plats et le réservoir. Le produit de rinçage permet de garantir que la plupart de l'eau a été évacuée des plats à la fin du rinçage et que le chargement est prêt pour le cycle de séchage.

Que puis-je faire si mes plats sont recouverts d'un film brumeux et blanc après un lavage?

Le film brumeux est généralement causé par la réaction des minéraux de l'eau avec le détergent du lave-vaisselle. Assurez-vous d'abord de ne pas trop utiliser de détergent. Référez-vous au manuel du propriétaire pour la quantité recommandée de détergent par cycle. Ajoutez un rinçage supplémentaire au cycle. Ajoutez un cycle Extra Rinse, ou bien lancez un cycle Cycle intensif. Les lave-vaisselle LG nécessitent moins d'eau que les lave-vaisselle traditionnels, par conséquent un rinçage supplémentaire aiderait à faire disparaître le film. Si l'approvisionnement en eau est calcaire, il peut être nécessaire d'ajouter un optimisateur de performances pour régler le problème des traces d'eau.

Qu'est-ce que le rinçage désinfectant et comment peut-on l'activer?

Le rinçage désinfectant augmente le rinçage à chaud à environ 161°F (72°C). La température normale du rinçage à chaud varie en fonction des cycles.

Quelles étapes puis-je suivre pour améliorer le séchage?

Le séchage est directement affecté par la quantité de chaleur restant dans le réservoir après l'opération de rinçage à chaud. Si votre lave-vaisselle est situé loin de votre chaudière, il peut être nécessaire de faire couler l'eau chaude dans l'évier avec de débiter un cycle de lavage, afin de garantir que l'eau froide est évacuée des conduites. Cela garantira que votre lave-vaisselle reçoit de l'eau chaude du début à la fin. Le réglage sur SANITARY aidera également à maintenir la température du tambour interne et des plats plus chaude avant le début du séchage.

Les lave-vaisselle LG sont conçus pour être utilisés avec un produit de rinçage. Le produit de nettoyage maximise la quantité d'eau déjà évacuée des plats avant le début du cycle de séchage. Si vous utilisez un produit de rinçage et que les performances ne sont pas satisfaisantes, ajustez le montant de produit de rinçage envoyé à l'aide de la flèche située sur le couvercle de produit de rinçage. Le réglage par défaut est à 4, mais si nécessaire, réglez ce niveau à 5 pour utiliser plus de produit de rinçage. Laissez le lave-vaisselle finir le cycle de séchage avant d'ouvrir la porte. Si

la porte est ouverte en milieu de cycle de séchage, la chaleur nécessaire au fonctionnement du système de séchage hybride s'échappera. Par conséquent, tous les plats seront encore humides à la fin du cycle.

Qu'est-ce que le système de séchage hybride?

Le lave-vaisselle ne se base pas sur un élément de chauffage pour la procédure de séchage ; il se base plutôt sur la chaleur retenue par les assiettes et le réservoir durant les cycles de lavage et rinçage pour transformer la buée du réservoir en humidité. L'air chaud et humide du lave-vaisselle est ensuite évacué par un ventilateur vers un tuyau de condensation situé dans la porte. L'air se refroidit, ce qui condense l'humidité. L'air extérieur est également ventilé dans le tuyau pour accélérer le refroidissement. Lorsque l'humidité se condense en eau, elle est évacuée.

NOTE

Le produit de rinçage est nécessaire pour améliorer le séchage. En l'absence de produit de rinçage, l'eau peut rester sur les plats et le réservoir.

Pourquoi y a-t-il un sifflement?

Il est important de déterminer la durée du bruit et le moment auquel il se produit (quelle partie du cycle). Lorsque l'eau est envoyée dans le lave-vaisselle, un sifflement peut se produire. Ceci est normal. Si la pression d'eau est trop forte, celui-ci sera plus fort et il sera peut-être nécessaire d'ajuster le robinet d'arrivée d'eau pour faire baisser la pression si le bruit est trop fort.

Quels types de plats peuvent être mis dans le lave-vaisselle?

Assurez-vous que les plats que vous mettez dans le lave-vaisselle sont prévus pour cela. Les plats en plastique ne sèchent pas aussi efficacement que les plats en verre et en métal. Les plats en plastique ne retiennent pas la chaleur aussi efficacement que les plats en verre et en métal. Les verres et les plats en plastique peuvent nécessiter un séchage à la main avant d'être rangés à la fin du cycle.

Puis-je effectuer un cycle de purge seulement?

Le lave-vaisselle ne possède pas de fonction de purge seule ; néanmoins, le lave-vaisselle se vidangera tout seul pendant les 45 premières secondes d'un nouveau cycle. Pour évacuer de l'eau stagnante, choisissez un cycle de lavage et laissez-le tourner pendant 45 secondes seulement. Puis, éteignez l'unité et laissez-la se réinitialiser. Répétez si nécessaire.

Combien de temps le voyant CLEAN reste-t-il allumé après que le cycle est terminé?

Le voyant CLEAN sur le lave-vaisselle restera allumé pendant 4 minutes avant de s'éteindre. Vous pouvez, néanmoins, programmer le lave-vaisselle pour que le voyant propre reste allumé jusqu'à ce que la porte du lave-vaisselle soit ouverte.

Pourquoi mon lave-vaisselle bippe-t-il continuellement si j'ouvre la porte en cours de cycle ou juste après la fin d'un cycle?

Ceci est normal. Le lave-vaisselle vous avertit que la température à l'intérieur de l'unité est très chaude et de faire attention en plaçant vos mains à l'intérieur. Une fois que l'unité a refroidit, le bip s'arrêtera.

FONCTIONS ET UTILISATION DU PRODUIT**Quel est l'intérêt de la vapeur?**

La vapeur permet un nettoyage en profondeur des plats ayant servi au four tout en utilisant moins d'eau que d'autres méthodes de grattage intensif. La vapeur permet aussi un meilleur nettoyage des porcelaines et verres à pied au cours d'un cycle délicat. Les particules de vapeur sont plus petites et plus actives, et leur pouvoir pénétrant est donc plus efficace. La vapeur augmente aussi la température à l'intérieur du lave-vaisselle, ce qui aide à faire fondre les substances grasses ou cireuses, comme le rouge-à-lèvre sur le bord des verres.

Qu'est-ce que le Child Lock et comment l'active-t-on?

Le Child Lock (Verrouillage Enfant) est une fonction qui empêche le changement des contrôles en cours de cycle. Il n'empêche pas l'ouverture de la porte ni la mise hors tension de l'appareil. Pour l'activer ou le désactiver, appuyez sur les boutons High Temp et Rinse simultanément pendant 3 secondes.

Pourquoi est-ce que "PF" s'affiche sur l'écran?

PF n'est pas un code d'erreur indiquant un mauvais fonctionnement. PF indique qu'il s'est produit une panne de courant. Cette fonction protège le lave-vaisselle en cas de coupure de courant entraînant la rupture d'alimentation vers l'appareil. Lorsque le courant revient et qu'un bouton est pressé, le symbole s'affichera pendant 10 secondes puis disparaîtra.

INSTALLATION**Quelle est la taille du coude à 90 degrés?**

Le coude à 90 degrés doit posséder un NPT 3/8" à extrémité qui se connecte au lave-vaisselle.

Puis-je ajouter une rallonge au tuyau d'évacuation?

Non, vous ne pouvez pas rajouter d'extension.

AVANT D'APPELER LE DÉPANNAGE

Problem	Causes Possibles	Solutions
Le lave-vaisselle ne fonctionne pas	La porte n'est pas complètement fermée. L'alimentation ou le cordon n'est pas branché. Le fusible est grillé ou le coupe-circuit a basculé.	Assurez-vous que la porte est complètement fermée et verrouillée. Branchez l'alimentation ou le cordon. Remplacez le fusible ou réinitialisez le coupe-circuit.
Le lave-vaisselle est trop lent à fonctionner.	Le lave-vaisselle est relié à de l'eau froide.	Vérifiez la connexion à l'arrivée d'eau ou les réglages de la chaudière. (Le chauffage de l'eau prend plus longtemps)
Odeur	Le cycle précédent s'est interrompu avant la fin et il reste de l'eau dans le lave-vaisselle. Des résidus de nourriture sont présents dans le bas de l'appareil ou dans le filtre. De la vaisselle sale est restée trop longtemps dans le lave-vaisselle.	Allumez le lave-vaisselle, choisissez l'option d'annulation du cycle pour retirer l'eau restante, puis lancez le cycle rapide avec du détergent, mais à vide. Pour nettoyer le filtre et l'intérieur, reportez-vous à la section « Entretien et nettoyage » du manuel d'utilisation. Lancez un cycle à vide avec du détergent ou bien avec l'équivalent d'une tasse de vinaigre blanc dans un verre ou un bol lavable en lave-vaisselle placé dans le panier supérieur. (Le vinaigre étant un acide, ne l'utilisez pas constamment, car il pourrait endommager votre appareil.)
L'eau reste dans le réservoir après la fin du cycle	Le tuyau d'évacuation est tordu ou bouché.	Détendez le tuyau ou débouchez-le.
Traces et film sur les plats	Eau à basse température. Mauvaise quantité de détergent. La plaque du dessous n'est pas verrouillée. Surcharge. Chargement mal fait. Pression d'eau insuffisante. Quantité insuffisante de détergent. Le distributeur de produit de rinçage est vide.	L'arrivée d'eau doit être au minimum à 120°F pour obtenir les meilleures performances de lavage. Utiliser la quantité recommandée de détergent. Assurez-vous que la plaque du dessous est fermée et verrouillée. Ne surchargez pas le lave-vaisselle. Consultez la section Utiliser votre Lave-vaisselle. La pression d'eau doit être entre 20 et 120 psi. Ajouter la quantité recommandée de détergent. Consultez la Section Utiliser votre Lave-vaisselle. Rechargez le distributeur de produit de rinçage.
	<p>Eau très calcaire</p> <p>Le meilleur moyen d'éliminer les traces sur vos plats est d'installer un décalcifiant d'eau pour l'ensemble de la maison. Si vous avez déjà installé un décalcifiant ou que vous ne prévoyez pas d'en installer un, essayez d'ajouter un « Extra Rinse » au cycle de lavage pour tenter de minimiser le problème. Pour ajouter un Rinçage Supplémentaire au cycle, sélectionnez le cycle WASH et appuyez sur RINSE.</p> <p>NOTE: Sélectionner EXTRA RINSE augmentera les temps de cycle et la consommation d'eau.</p> <p>Pour éliminer les dépôts calcaires dans le réservoir</p> <p>Retirez tous les plats, les couverts et les porte-couverts du lave-vaisselle. Seuls les paniers doivent rester dans le réservoir.</p> <p>Remplissez un verre doseur de vinaigre de vin blanc, environ 14~17 onces (400~500mL), et placez le verre doseur dans le panier inférieur.</p> <p>Lancez un cycle « Normal » et sélectionnez Extra Rinse R⁺ et Sanitary 160°F puis fermez la porte. N'UTILISEZ PAS DE DÉTERGENT.</p> <p>NOTE: Assurez-vous de laisser le lave-vaisselle compléter un cycle. Cette méthode de nettoyage ne doit être effectuée que si nécessaire.</p>	

Si vous avez suivi ce guide de dépannage et que le problème persiste, ou si le problème que vous rencontrez n'est pas décrit ici, veuillez appeler le Service Client LGE au 1-800-243-0000(US), 1-888-542-2623(Canada).

AVANT D'APPELER LE DÉPANNAGE

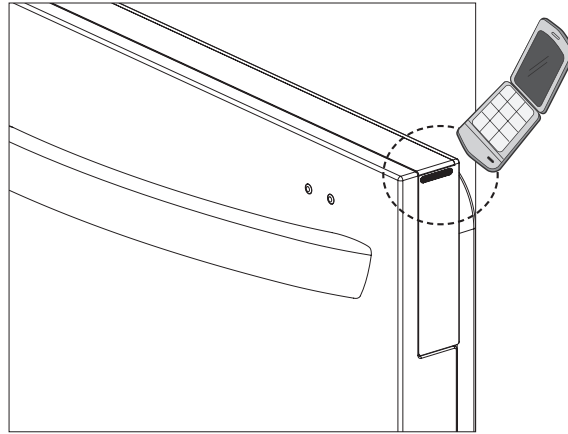
Problème	Causes Possibles	Solutions
Il reste des traces de nourriture sur les plats	Mauvaise sélection de cycle.	Sélectionnez le cycle approprié en fonction du niveau de salissure et du type de plats à laver.
	Température de l'eau trop basse.	Vérifiez la connexion à l'arrivée d'eau ou le réglage de la chaudière.
	Vous n'avez pas mis de détergent dans le lave-vaisselle.	Utilisez le détergent recommandé.
	Pression d'arrivée d'eau trop faible.	La pression d'eau doit être entre 20 et 120 psi.
	Les trous de jet d'eau du bras de lavage sont bouchés.	Nettoyez les bras de lavage.
	Mauvais chargement des plats.	Assurez-vous que les plats ne bloquent pas la rotation du bras de lavage et n'interfèrent pas avec le distributeur de détergent.
Bruit	Les filtres sont bouchés.	Nettoyez les filtres.
	Un certain niveau de bruit est normal durant le fonctionnement.	Ouverture du couvercle du distributeur.
	Le lave-vaisselle n'est pas droit. Le bras gicleur tape contre les plats.	Pompe d'évacuation au début du cycle de purge. Ajustez les pieds de niveau. Réarrangez les plats.
Il y a un nuage sur les verres.	Combinaison d'un excès de détergent et d'une eau sans calcaire.	Utilisez moins de détergent et un produit de rinçage pour minimiser le problème.
Traces noires ou grises sur les plats.	Les objets en aluminium se frottent contre les plats durant le cycle.	Réarrangez les plats.
Un film jaune ou brun se forme sur les surfaces à l'intérieur du lave-vaisselle.	Taches de café ou de thé.	Éliminez les taches à l'aide d'un produit détachant.
Les plats ne sèchent pas.	Le distributeur de produit de rinçage est vide.	Vérifiez et rechargez le distributeur de produit de rinçage s'il est vide.
Les voyants ne s'allument pas.	Le lave-vaisselle n'est pas branché.	Branchez l'alimentation.
Les bras de lavage ne tournent pas bien.	Les trous des bras de lavage sont bloqués par des particules de nourriture.	Nettoyez les trous des bras de lavage.
Le panier supérieur est tordu.	Le panier est mal réglé.	Consultez la Section Utiliser votre Lave-vaisselle.
Le lave-vaisselle bippe continuellement lorsque la porte est ouverte, pendant ou juste après la fin du cycle.	L'intérieur du lave-vaisselle est chaud et vous devez être vigilant lorsque vous placez vos mains à l'intérieur pour le vider.	Fermez la porte jusqu'à ce que le lave-vaisselle et les plats aient refroidis. Le bip s'arrêtera si la porte est fermée ou que l'intérieur du lave-vaisselle est refroidi.
IE Erreur	Problème d'arrivée d'eau.	Vérifiez que votre tuyau d'arrivée d'eau n'est pas bouché, pincé ou gelé.
		Vérifiez l'arrivée d'eau.
OE Erreur	Problème de purge	Vérifiez que votre tuyau d'arrivée d'eau n'est pas bouché, pincé ou gelé.
	La membrane à air ou le broyeur sont obstrués.	Nettoyez la membrane à air ou le broyeur.
	Les filtres sont bouchés.	Nettoyez les filtres.
FE Erreur	Apport d'eau trop important.	Veuillez appeler un Centre de Réparation Autorisé ou le Service Clientèle LGE au 1-800-243-0000 (US), 1-888-542-2623 (Canada)
E1 or AE Erreur	Problème de fuite d'eau.	
HE Erreur	Panne du circuit de chauffage.	
tE Erreur	Panne du thermostat ou température très forte de l'arrivée d'eau (plus de 194°F)	
LE Erreur	Défaillance du moteur.	

Si vous avez suivi ce guide de dépannage et que le problème persiste, ou si le problème que vous rencontrez n'est pas décrit ici, veuillez appeler le Service Client LGE au 1-800-243-0000(US), 1-888-542-2623(Canada).

SMART DIAGNOSIS™ (DIAGNOSTIC INTELLIGENT)

Si vous rencontrez des problèmes avec votre lave-vaisselle, celui-ci peut transmettre des informations à votre Smartphone à l'aide de l'application LG Smart Laundry & DW, ou à travers la fonction téléphone au centre d'appel LG.

Le Diagnostic Intelligent ne peut être activé qu'après avoir allumé votre lave-vaisselle à l'aide du bouton Mise sous tension. Si votre lave-vaisselle ne peut pas s'allumer, le diagnostic doit être fait sans le Diagnostic Intelligent.



Diagnostic Intelligent depuis votre téléphone

1. Téléchargez l'application LG Smart Laundry & DW sur votre Smartphone.
2. Lancez l'application LG Smart Laundry & DW depuis votre téléphone.
3. Appuyez sur le bouton **Smart Diagnosis** sur votre téléphone intelligent.
4. Appuyez sur le bouton **Diagnose** sur votre téléphone intelligent.
5. Appuyez sur le bouton **Dishwasher** sur votre téléphone intelligent.
6. Appuyez sur le bouton **RECORD** sur le Smartphone puis placez le microphone du téléphone à proximité du trou situé sur le panneau latéral.
7. Une fois le téléphone positionné, appuyez sur le bouton Diagnostic Intelligent sur le téléphone.

! NOTE

Après trois secondes, l'affichage change de 0:22 à 6, puis le temps restant commence à être décompté.

8. Appuyez et maintenez enfoncé le bouton **Rinse**(Rinçage) sur l'affichage du lave-vaisselle pendant trois secondes.

! NOTE

Ne touchez aucun autre bouton ou icône de l'écran d'affichage.

9. Maintenez le téléphone ainsi jusqu'à ce que le signal de transmission s'arrête. Cela prend environ 6 secondes et l'écran affichera un décompte du temps restant.
10. Lorsque l'enregistrement est fini, affichez le diagnostic en appuyant sur le bouton Suivant du téléphone.

Diagnostic Intelligent depuis votre téléphone

1. Appelez le centre d'appel LG au : (LG U.S.) 1-800-243-0000 (LG Canada) 1-888-542-2623.
2. Lorsque le téléopérateur vous le demande, placez le microphone à proximité du trou situé sur le panneau latéral. Maintenez le téléphone à moins d'un pouce de la machine, mais sans la toucher.

! NOTE

Ne touchez aucun autre bouton ou icône de l'écran d'affichage.

3. Maintenez enfoncé le bouton RINSE sur l'écran d'affichage pendant trois secondes.
4. Maintenez le téléphone ainsi jusqu'à ce que le signal de transmission s'arrête. Cela prend environ 6 secondes et l'écran affichera un décompte du temps restant.
5. Une fois que le compte-à-rebours est terminé et que les bruits ont stoppé, reprenez votre conversation avec le téléopérateur, qui pourra vous aider à l'aide des informations transmises pour analyse.

! NOTE

Le diagnostic intelligent est une caractéristique de dépannage conçue pour compléter, et non pour remplacer, la méthode traditionnelle de dépannage par les appels de service. L'efficacité de cette caractéristique dépend de plusieurs facteurs incluant, mais sans s'y limiter, la réception du téléphone cellulaire utilisé pour la transmission, tout bruit externe pouvant être présent lors de la transmission et l'acoustique de la pièce où la machine est située. Par conséquent, LG ne garantit pas que le diagnostic intelligent résoudra avec précision le problème en question.

GARANTIE LIMITÉE DU LAVE-VAISSELLE (USA)

Si votre lave-vaisselle LG est présente un défaut de fabrication ou main d'oeuvre dans des conditions normales d'utilisation et pendant la période de garantie détaillée ci-dessous, valide à partir de la date d'achat original de l'appareil, LG Electronics remplacera la pièce défectueuse. Les pièces de rechange auront la dimension et rempliront la fonction de la pièce originale. Les pièces de rechange sont garanties pendant toute la période de validité de la garantie originale. Cette garantie limitée ne s'applique qu'à l'acheteur original de l'appareil et n'est valide qu'aux États-Unis.

PÉRIODE DE GARANTIE	
Pour la période du :	LG remplacera :
Un an à partir de l'achat original	Toute pièce du lave-vaisselle présentant un défaut de fabrication ou main-d'oeuvre. Durant cette période d'une année de garantie pièce et main-d'oeuvre de l'achat original, LGE fournira également, gratuitement , toute la main-d'oeuvre et intervention sur site pour remplacer la pièce défectueuse.
Cinq ans à partir de l'achat original	Panneau de contrôle électronique et panier du lave-vaisselle présentant un défaut de fabrication ou main-d'oeuvre. Durant cette période de cinq ans de garantie pièces , les frais de main-d'oeuvre et d'intervention sur site seront à votre charge.
Dix ans à partir de la date d'achat originale	Moteur Direct Drive présentant un défaut de fabrication ou main-d'oeuvre. Durant cette période de dix ans de garantie , les frais de main-d'oeuvre et d'intervention sur site seront à votre charge.
Garantie à vie limitée	contre-porte en inox et compartiment (tant que l'appareil est propriété de l'acheteur original) présentant un défaut de fabrication ou de main-d'oeuvre. Durant cette garantie à vie limitée sur les pièces , les frais de main-d'oeuvre et d'intervention seront à votre charge
Les unités de remplacement et les pièces de rechange peuvent être neuves ou reconditionnées. Les unités de remplacement et les pièces de rechange sont garanties pour la durée de validité de la garantie de l'unité originale	

Aucune autre garantie n'est applicable à l'appareil. CETTE GARANTIE REMPLACE TOUTE AUTRE GARANTIE, EXPRESSE OU IMPLICITE, Y COMPRIS ET SANS LIMITATION, TOUTE GARANTIE D'APTITUDE ET DE COMPATIBILITÉ À UN USAGE PARTICULIER. DANS LES CAS OÙ TOUTE GARANTIE IMPLICITE EST EXIGÉE PAR LA LOI, SA DURÉE SERA LIMITÉE À LA PÉRIODE DE GARANTIE EXPRESSE CI-DESSUS. NI LE FABRICANT NI SON DISTRIBUTEUR AUX ÉTATS-UNIS NE SERONT RESPONSABLES DE DOMMAGES INCIDENTS, CONSÉCUTIFS, INDIRECTS, SPÉCIAUX OU PUNITIFS, DE QUELQUE NATURE QUE CE SOIT, Y COMPRIS ET SANS LIMITATION, LA PERTE DE REVENU OU DE BÉNÉFICES, OU TOUT AUTRE DOMMAGE QUE CE SOIT PAR CONTRAT, TORT OU AUTRE. Certains états et/ou territoires ne permettent pas l'exclusion ou la limitation des dommages incidents ou consécutifs ou la limitation de la durée d'une garantie implicite, et les exclusions ou limitations mentionnées ci-dessus peuvent ne pas s'appliquer à vous. Cette garantie vous donne, en tant qu'acheteur original, des droits légaux spécifiques et d'autres droits peuvent également s'appliquer en fonction des états ou des territoires.

CETTE GARANTIE LIMITÉE NE COUVRE PAS :

1. Les appels d'intervention à votre domicile pour la livraison ou la prise en charge, l'installation, les consignes, le remplacement des fusibles, le branchement au réseau domestique ou la plomberie, ou la correction de réparation non-autorisées.
2. Les pannes de l'appareil en cas de panne de courant ou d'arrivée électrique inadaptée.
3. Les dommages causés par le transport et la manutention.
4. Les dommages causés à l'appareil par accident, les parasites, les éclairs, le vent, l'incendie, les inondations ou les catastrophes naturelles.
5. Les dommages causés par des tuyaux d'eau fuyants, cassés, gelés, des petits tuyaux de vidange, ou une arrivée d'eau inadaptée ou coupée.
6. Les dommages causés par une arrivée d'air inadaptée.
7. Les dommages causés lors du fonctionnement de l'appareil dans un milieu corrosif.
8. Les réparations lorsque votre appareil LG est utilisé dans des conditions normales d'un foyer mono familial ou que les consignes détaillées dans le Guide d'Utilisation de l'appareil ne sont pas respectées.
9. Les dommages résultant d'un accident, d'une modification, d'une mauvaise utilisation, d'un abus, d'une installation, réparation ou entretien inadapté. La réparation inadaptée comprend l'utilisation de pièces non autorisées ou indiquées par LG.
10. L'entretien normal décrit dans le Guide d'Utilisation, tel que le nettoyage ou le remplacement des filtres, le nettoyage des bobines, etc.
11. L'utilisation d'accessoires ou composants incompatibles avec ce produit.
12. Les produits dont le numéro de série a été altéré ou enlevé.
13. Les modifications de l'apparence du produit qui n'affectent pas ses performances.
14. Les coûts de service directement liés au nettoyage ou à la réparation de la plomberie externe, y compris la membrane à air de la canalisation et le broyeur.
15. L'augmentation du coût des services publics et des frais supplémentaires liés à ces derniers.

Le coût des réparations ou du remplacement sous ces circonstances d'exclusion sera aux frais du client.

Pour consulter l'intégralité des détails de la garantie et de l'assistance à la clientèle, veuillez appeler ou visiter notre site web :

Appelez le 1-800-243-0000 (24h par jour, 365 jours par an) et sélectionnez l'option appropriée depuis le menu, ou visitez notre site web au <http://us.lgservice.com>

Ou par courrier : Centre d'Information Client LG :

P. O. Box 240007
201 James Record Road
Huntsville, Alabama 35813
ATTN: CIC

Informations d'enregistrement du produit :

Modèle: _____

Numéro de série: _____

Date de l'achat : _____

Nom du revendeur : _____

GARANTIE LIMITÉE LAVE-VAISSELLE (CANADA)

GARANTIE: Si votre lave-vaisselle (« l'appareil ») tombe en panne suite à une défaillance pièce ou main-d'oeuvre dans des conditions normales d'utilisation domestique durant la période de garantie détaillée ci-dessous, LG Canada se réserve le droit de réparer ou de remplacer l'appareil sous réception de la preuve d'achat originale. Cette garantie ne s'applique qu'à l'acheteur original de l'appareil et n'est valide que pour les appareils distribués au Canada par LG Canada ou un distributeur canadien autorisé. La garantie ne s'applique qu'aux produits situés et utilisés au Canada.

PÉRIODE DE GARANTIE: (Note : Si la date d'achat originale ne peut être vérifiée, la garantie commencera soixante (60) jours après la date de fabrication)		
Lave-vaisselle	Garantie étendue des composants (pièces seulement) (La main-d'oeuvre sera à la charge du client un (1) an après la date d'achat)	
Un (1) an après la date d'achat original de l'appareil.	Cinq (5) ans après la date d'achat original de l'appareil.	Dix (10) ans après la date d'achat original de l'appareil.
Pièces / Main-d'oeuvre (pièces internes/fonctionnelles seulement)	PCB, Panier, Contre-porte en inox, Compartiment	Moteur DD

- ▶ Les appareils et les pièces de rechange sont garantis pour la durée de validité restante de la garantie originale, ou pour quatre-vingt-dix (90) jours, selon la période la plus longue.
- ▶ Les appareils et les pièces de rechange peuvent être neufs ou reconditionnés.
- ▶ Le Centre de Service Autorisé LG garantit ses réparations pendant trente (30) jours.

LA SEULE RESPONSABILITÉ DE LG CANADA SE LIMITE À LA GARANTIE DÉFINIE CI-DESSOUS. HORMIS DANS LES CONDITIONS EXPLICITEMENT DÉFINIES CI-DESSUS, LG CANADA NE FAIT AUCUNE GARANTIE OU CONDITION PAR RAPPORT À L'APPAREIL, QU'ELLE SOIT EXPRESSE OU IMPLICITE, Y COMPRIS, SANS LIMITATION, TOUTE GARANTIE IMPLICITE D'APPLICATION OU DE CONFORMITÉ À UN USAGE PARTICULIER, ET AUCUNE DÉCLARATION NE LIERA LG CANADA. LG CANADA N'AUTORISE PERSONNE À CRÉER OU À ASSUMER UNE AUTRE GARANTIE OU RESPONSABILITÉ PAR RAPPORT À CET APPAREIL. DANS LES CAS OÙ UNE GARANTIE OU CONDITION EST REQUISE PAR LA LOI, LA DURÉE DE CELLE-CI EST LIMITÉE À LA PÉRIODE DE GARANTIE EXPRESSE CI-DESSUS. LG CANADA, LE FABRICANT OU SON DISTRIBUTEUR NE SAURAIENT ÊTRE RESPONSABLES DES DOMMAGES INCIDENTS, CONSÉCUTIFS, SPÉCIAUX, DIRECTS OU INDIRECTS, PERTE DE VALEUR, DE BÉNÉFICES, DOMMAGES PUNITIFS OU EXEMPLAIRES OU AUTRES, QU'ILS SURVIENNENT DIRECTEMENT OU INDIRECTEMENT D'UNE RUPTURE DE CONTRAT, ESSENTIELLE OU NON, OU DE TOUT ACTE OU OMISION, TORT OU AUTRE. Cette garantie vous donne des droits légaux particuliers. D'autres droits peuvent vous être accordés en fonction de votre région et de ses lois applicables. Toute condition de cette garantie qui rejette ou modifie une condition ou garantie implicite dans le cadre des lois régionales dissociable lorsqu'elle entre en conflit avec les lois régionales, sans que cela n'affecte le reste des conditions de cette garantie.

CETTE GARANTIE LIMITÉE NE COUVRE PAS :

1. Les interventions de livraison, de prise en charge ou d'installation du produit ; la livraison de conseils au client sur le fonctionnement de l'appareil ; la réparation ou le remplacement des fusibles ou la correction du branchement électrique ou de la plomberie, ou la correction de réparations ou d'installations non autorisées.
2. La panne de l'appareil en cas de panne de courant ou d'arrivée électrique inadaptée.
3. Les dommages causés par des tuyaux d'eau fuyant ou inadaptés, gelés, des petits tuyaux de vidange, une arrivée d'eau inadaptée ou coupée ou une arrivée d'air inadaptée.
4. Les dommages résultant du fonctionnement de l'Appareil en atmosphère corrosive ou contraire aux consignes détaillées dans le manuel du propriétaire de l'appareil.
5. Les dommages à l'appareil causés par un accident, les parasites, la foudre, le vent, l'incendie, les inondations ou les catastrophes naturelles.
6. Les dommages résultant de la mauvaise utilisation, installation, réparation ou entretien, ou de l'abus de l'appareil. La mauvaise réparation comprend l'utilisation de pièces non approuvées ou indiquées par LG Canada.
7. Les dommages ou les pannes de l'appareil causées par une modification ou altération non-autorisée, ou l'usage détourné, ou résultant d'une fuite d'eau liée à une mauvaise installation.
8. Les dommages ou pannes de l'appareil causées par un courant électrique ou des codes de plomberie incorrects, ou un usage commercial ou industriel inapproprié, ou utilisation d'accessoires, composants ou produits de nettoyage non approuvés par LG Canada.
9. Les dommages causés par le transport et la manutention, y compris les rayures, bosses, entailles et/ou autres dommages à la finition de l'appareil, à moins que ces dommages ne résultent de défauts de pièce ou main-d'oeuvre et ne soient reportés dans la (1) semaine de la livraison.
10. Les dommages ou éléments manquants à un appareil de vitrine, de carton ouvert, en promotion ou reconditionné.
11. Les appareils dont les numéros de série originaux ont été enlevés, altérés ou ne peuvent pas être déterminés facilement. Le modèle et le numéro de série, ainsi que la facture d'achat originale, sont nécessaires à la validation de la garantie.
12. Les augmentations des frais de fonctionnement et autres dépenses de fonctionnement.
13. Le remplacement des ampoules, des filtres ou des consommables.
14. Les réparations lorsque votre appareil est utilisé dans des conditions autres que normales et domestiques (y compris, sans limitation, l'utilisation commerciale, dans des bureaux ou des aires de loisir) ou contraires aux consignes établies dans le manuel du propriétaire de l'appareil.
15. Les coûts associés au retrait de l'appareil de votre foyer pour réparation.
16. Le retrait et la réinstallation de l'appareil s'il est situé dans un endroit inaccessible ou s'il n'est pas installé conformément aux consignes d'installations publiées, y compris dans le manuel d'installation et dans le manuel du propriétaire de l'appareil.
17. Les accessoires de l'appareil comme les bacs de porte, les paniers, les poignées, les étagères, etc... Les pièces autres que celles incluses dans le produit d'origine sont également exclues.

Tous les frais associés aux circonstances d'exclusion de garantie ci-dessus seront à la charge du client.

Pour consulter l'ensemble des détails de la garantie ainsi que l'assistance clientèle, veuillez appeler ou visiter notre site web :

Appelez le 1-888-542-2623 (24h/jour, 365 jours/an) et sélectionnez l'option adaptée depuis le menu, ou visitez notre site web au <http://www.lg.ca>

Écrivez vos informations de garantie ci-dessous :

Informations d'enregistrement du produit : _____

Modèle : _____

Numéro de série : _____

Date d'achat : _____



LG Customer Information Center

1-800-243-0000 USA

1-888-542-2623 CANADA

Register your product Online!

www.lg.com