

LG COOKING

LWC3063

Combi Wall Oven

1.7 cu.ft. Microwave (Speed Oven)

Infrared Heating™

4.7 cu.ft. Oven

Crisp Convection

Self+EasyClean

SmartThinQ® Technology



Enjoy new ways to control your home with LG smart appliances

- Start or stop your Oven remotely
- Set your Monitor Status from your smartphone
- Works with the LG SmartThinQ® app

SmartThinQ®

works with the Google Assistant

WORKS WITH alexa

innit

SIDECHEF

SUMMARY

Total Oven Capacity (cu. ft.)	6.4 (Upper & Lower)
Colors	Stainless Steel / Black Stainless Steel

UPPER OVEN FEATURES

Capacity (cu.ft)	1.7
Interior(Cavity) - Upper MWO / Lower Oven	Stainless / Enamel Coating
Microwave Power output	950W
Microwave mode power consumption	1650W
Convection Bake mode power consumption	1550W
Broil mode power consumption	1650W
Convection Element (W)	1500W (Sheath heater)
Broil Upper Element (W)	1200W = 700W (Miraclon heater) + 500W (Infrared Heating™)
Broil Lower Element (W)	375W (Miraclon heater)
Microwave	Yes
Convection Bake	Yes
Broil	Yes
Speed cook	Yes (TurboCook™)
- # of Defrost (4 Menu)	Meat / Poultry / Fish / Bread
- # of Sensor cook (9 Menu)	Beverage / Casserole / Chicken / Pasta / Pizza / Plate of food / Rice / Soup / Vegetable
- # of Auto cook (28 Menu)	Bacon (regular sliced) / Bagels (frozen) / Baked potatoes (7-9oz/ea) / Brownie / Cod fillets (1 lb) / Corn dog (frozen) / Fresh vegetable / Frozen chicken wings / Frozen fries / Frozen chicken nuggets / Frozen pizza (regular crust) / Frozen soft pretzels / Frozen vegetable / Garlic bread (sliced, frozen) / Hamburger (1/2" thick) / Lamb chops (1/2" chick, 6-7oz) / Meat loaf (9" X 5") / Nachos / Oatmeal / Pork chops (1/2" thick, 6-7oz) / Quinoa / Rib eye steak (1" thick 14-15oz) / Rice / Salmon steak (1" thick) / Sausage / Sirloin steak (1" thick, 18-21oz) / Tenderloin / Vegetable-canned
- # of Soften (4 Menu)	Butter & Margarine / Cream Cheese / Ice Cream / Frozen Juice
- # of Melt (5 Menu)	Butter / Caramel / Cheese / Chocolate / Marshmallow

LOWER OVEN FEATURES

Capacity (cu.ft)	4.7
EasyClean®	Yes
Self Clean	Yes (3,4,5 hours)
Variable cleaning time	Yes (3,4,5 hours)
Variable broil	Yes (Full,Center / High,Med,Low)
Broil element	2,500 watts inner / 1,500 watts outer
Bake element	2,500 watts
Bake element type	Hidden (8 pass)
# of rack position	5
12 hrs. shut-off	Yes
- # of light	3 (Halogen Lamp - 3 dimension lighting)
Convection conversion	Yes
-Convection element	Yes (2,000 watts Sheath heater)
Convection System/Mode/Cooking System	Conventional
Convection Fan	Dual Speed (High/Low)
Oven Cooking mode	Conv.Bake / Conv.Roast / Bake / Broil / Steam Bake / Steam Roast / Probe / more mode (Favorite/Warm/Proof)
Oven Control Features	Glass Touch (SmoothTouch™)
Door Lock	Yes



CONTROL

Oven Control Type	Glass Touch (SmoothTouch™)
Display	White VFD
Language	English / Spanish / French
Smart Function	Wi-Fi / Smart Buzzer
Clock	12 hr or 24 hr (option)
Kitchen Timer	Yes
Timed Cook	Yes
Temperature Unit of Measure	Fahrenheit / Celsius
Cooking Complete Reminder Volume	Beeper (1. Loud, 2. Low, 3. Mute)

APPEARANCE

Available Colors	Stainless Steel / Black Stainless Steel
Handle/Knobs	Stainless Steel Finish (Aluminum) Black Stainless Steel Finish (Aluminum)
Oven Door Feature	WideView™ Window
Scratch-Resistant	Yes
PrintProof™ Finish	Yes (Only Black Stainless Steel)

SmartThinQ® SMART FEATURES

SmartDiagnosis™	Yes
Wi-Fi Connectivity	Yes
Works with	Google Assistant and Amazon Alexa
SmartThinQ® with Innit and SideChef	Yes

DIMENSIONS/CLEARANCES/WEIGHT

Shipping Weight (lbs)	244 lbs
Product Weight (lbs)	194 lbs
Product (W x H x D)	29 3/4" x 43 13/16" x 24 1/2"
Cut-out (W x H x D)	28 1/2" x 43 8/19" x 23 1/2"
Overall Depth (in) - including handle	26 7/8"
Actual Depth with Door Open (Upper) (in):	37.1"
Actual Depth with Door Open (Lower) (in):	45.7"
Oven Interior Dimensions (Upper) (in) (W x H x D)	20 8/11" x 8 9/25" x 17 5/13"
Oven Interior Dimensions (Lower) (in) (W x H x D)	24 1/2" x 17 5/8" x 18 7/8"
Carton Dimensions (in) (W x H x D)	33" x 30" x 50"

POWER/RATINGS

Amp at 240V	32.5A
kW at 240V	7.8kW
Requirements	120 / 240 VAC, 120 / 208 VAC

ACCESSORIES

Glass Tray(Upper)	Yes
Metal Tray(Upper)	Yes
Rack(Upper)	Yes
Broiler pan & Grid	Yes
Gliding Rack	1
Heavy Duty Rack	2
Meat probe	Yes
Scouring Pad	Yes

WARRANTY

Parts & Labor	1 Year
---------------	--------

UPC CODES

LWC3063ST (Stainless Steel)	048231339810
LWC3063BD (Black Stainless Steel)	048231339827

LWC3063_

Combi Wall Oven

QUICK INSTALL & CLEARANCES

For full installation directions/clearances please refer to the corresponding User Manual and Installation Guide.

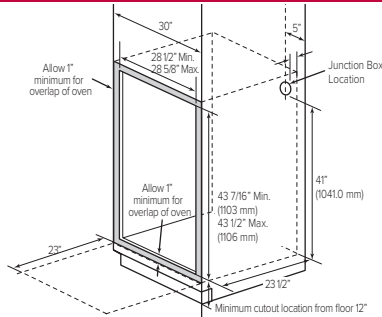
DIMENSIONS / CLEARANCES / WEIGHT	
Product Dimensions (in) (W x H x D)	29 3/4" x 43 13/16" x 24 1/2"
Cut-out (W x H x D)	28 1/2" x 43 8/19" x 23 1/2"
Overall Depth (in) - including handle	26 7/8"
Actual Depth with Door Open (Upper) (in):	37.1"
Actual Depth with Door Open (Lower) (in):	45.7"
Oven Interior Dimensions (Upper) (in) (W x H x D)	20 8/11" x 8 9/25" x 17 5/13"
Oven Interior Dimensions (Lower) (in) (W x H x D)	24 1/2" x 17 5/8" x 18 7/8"
Carton Dimensions (in) (W x H x D)	33" x 30" x 50"
POWER RATINGS	
Amp at 240V	32.5A
kW at 240V	7.8kW
Requirements	120 / 240 VAC, 120 / 208 VAC

INSTALLATION REQUIREMENTS

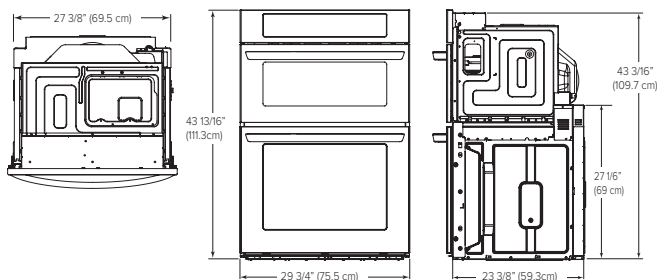
- The cabinet base platform must be able to support 202 lbs (91.65 kg) for a Microwave Combination Wall Oven. If the cabinet does not have a solid bottom, two braces or runners must be installed level with the bottom of the cutout to support the weight of the oven. Make sure the base is level and the front of the cabinet is square. If the cabinet base is not level, the oven racks will tend to slide out when opening the door.
- If marks, blemishes or the cutout opening are visible above the installed oven, it may be necessary to add wood shims under the runners and front trim until the marks or opening are covered.
- If the cabinet does not have a front frame and the sides are less than 3/4" (1.9 cm) thick, shim both sides equally to establish the cutout width.
- The junction box must be flush with the rear wall of the cabinet as shown below.
- Allow at least a 23" clearance for the door depth when it is open.
- Kitchen cabinets in contact with the oven must be heat resistant up to 194°F (90°C), and fronts of nearby units up to at least 158°F (70°C).

CUTOUT DIMENSIONS

- Cabinet Width: 30" (762 mm)
- Recommended Minimum Cutout Location from Floor: 12" (304.8 mm)
- Cutout Depth: 23 1/2" Min. (596.9 mm)
- Cutout Width: 28 1/2" Min. (723.9 mm)
28 5/8" Max. (727 mm)
- Cutout Height: 43 7/16" Min. (1103 mm)
43 1/2" Max. (1106 mm)

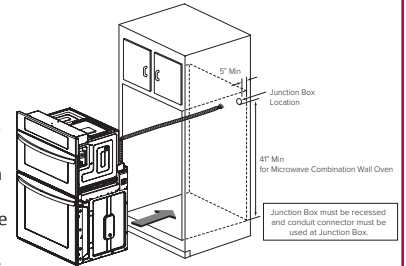


PRODUCT DIMENSIONS



ELECTRICAL CONNECTIONS

- Be sure the wall oven is installed and grounded properly by a qualified installer or service technician.
- This wall oven must be electrically grounded in accordance with local codes or, in their absence, with the National Electrical Code ANSI/NFPA No.70- latest edition in United States, or with CSA Standard C22.1-1982 and C22.2 No.01982 (or latest edition), Canadian Electrical Code, Part 1, and all local codes and ordinances.
- This wall oven must be supplied with the proper voltage and frequency, and connected to an individual, properly grounded branch circuit, protected by a circuit breaker or fuse. For the circuit breaker or fuse required by this model, see the rating plate to find the wattage consumption and refer to the table below to get the circuit breaker or fuse amperage.
- A Microwave Combination Wall Oven can consume up to 7,800 W at 240 VAC. A 50 Amp circuit breaker with wire gauge #8 AWG must be used.
- Do Not ground to a gas pipe.
- Do Not have a fuse in the neutral or grounding circuit.
- A U.L.-listed conduit connector must be provided at the junction box.
- Prepare the electrical connection as follows:
 - Turn off the circuit breaker or remove fuses to the oven branch circuit.
 - With the oven positioned directly in front of the cabinet opening, connect the flexible conduit to the electrical junction box as shown below. Position the conduit in such a manner that it will lie on top of the oven in a natural loop when the oven is installed.
- If local codes permit connection of the frame grounding conductor to the neutral(white) wire, follow the instructions for a 3-wire circuit connection.
- If used in mobile homes or new construction, or a recreational vehicle, or local codes do not permit connection of the frame grounding conductor to the neutral(white) wire, follow the instructions for a 4-wire circuit connection.



INSTALL THE OVEN

- Install the oven into the cabinet as follows:
 - Slide the oven into the opening.
 - Loop (do not tie) a 36" (91 cm) string around the conduit before the oven is slid into place. Lay the string over the top of the oven and use it to keep the conduit from falling behind the oven.
 - Lift oven into cabinet using the oven opening as a grip. Carefully push against the oven front frame. Do not push against outside edges.
 - While sliding the oven back, pull the string so that the conduit lies on the top of the oven in a natural loop.
 - When you are sure the conduit is out of the way, slide the oven 3/4 way back into the opening. Remove the string by pulling on one end of the loop.
 - Secure the oven.
 - Using the mounting holes on the oven side trim as a guide, drill pilot holes for screws provided. (For securing the Combi Oven, use a minimum of 4 screws, one on each side in both the upper and lower ovens.)
 - Secure the oven to the cabinet with screws provided. If the cabinet is particle board, you must use 3/4" particle board screws. These may be purchased at any hardware store.
 - Install the metal bottom trim.
 - Place the metal bottom trim centered over the pre-drilled mounting holes on the lower base.
 - Using 3 screws provided, secure the bottom trim to the bottom edge of the cabinet.
 - Reinstall the oven door.

