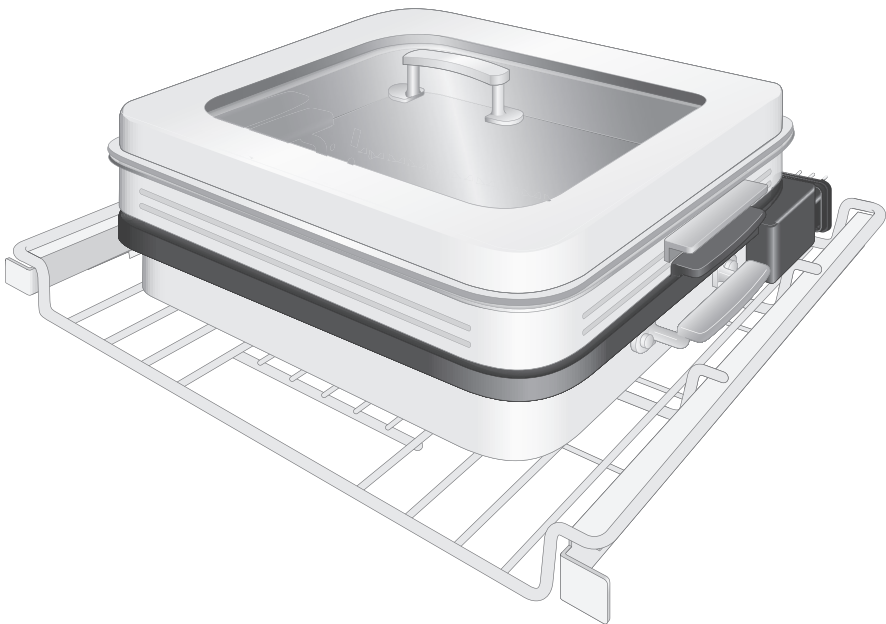


KitchenAid®

SMART OVEN+ POWERED ATTACHMENTS
USER INSTRUCTIONS

INSTRUCTION D'UTILISATION DES
ACCESSOIRES ÉLECTRIQUES POUR
FOUR INTELLIGENT



THANK YOU for purchasing this high-quality product. Register your built-in oven at register.kitchenaid.com. In Canada, register your built-in oven at register.kitchenaid.ca.

For future reference, please make a note of your product model and serial numbers. They can be found on the label located on the bottom edge of the control panel, right hand side.

Model Number _____ Serial Number _____

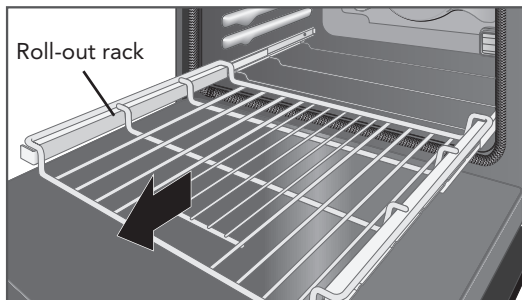
TABLE OF CONTENTS

3	INSTALLING THE +POWERED ATTACHMENTS
4	Using the +Powered Attachments
6	Storing the +Powered Attachments
8	SMART OVEN+ POWERED BAKING STONE ATTACHMENT
9	Installing the +Baking Stone Attachment
10	Using the +Baking Stone Attachment
13	SMART OVEN+ POWERED GRILL ATTACHMENT
14	Installing the +Grill Attachment
15	Using the +Grill Attachment
18	SMART OVEN+ POWERED STEAMER ATTACHMENT
19	Installing the +Steamer Attachment
20	Using the +Steamer Attachment
22	TROUBLESHOOTING
24	WARRANTY

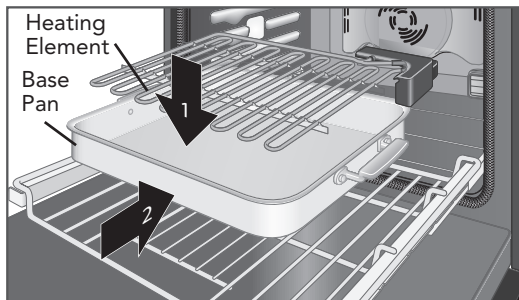
INSTALLING THE +POWERED ATTACHMENTS

INSTALLATION

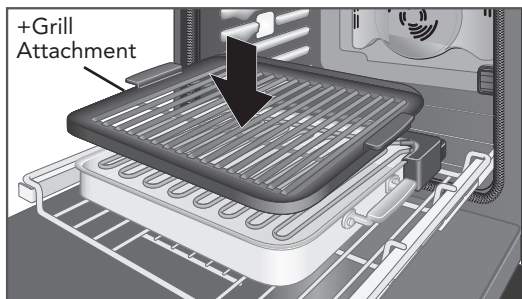
The +Powered Attachments fit on the SatinGlide™ Roll-Out Extension Rack for Smart Oven+ Attachments. They will not rock or wobble when installed correctly. Always fully extend the roll-out rack before placing the +Powered Attachments. The roll-out rack will lock in place when fully extended.



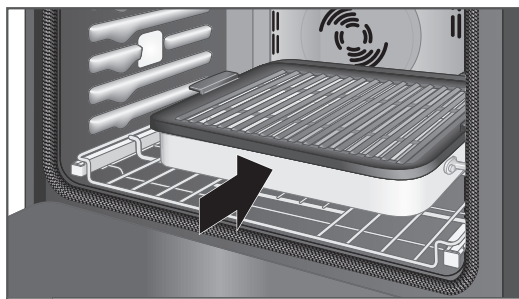
- 1** Insert the roll-out rack into the lowest rack position. Some force is required. Extend the rack.



- 2** Place the Base Pan and Heating Element on the roll-out rack. Push the Base Pan back and in until the feet lock into place.

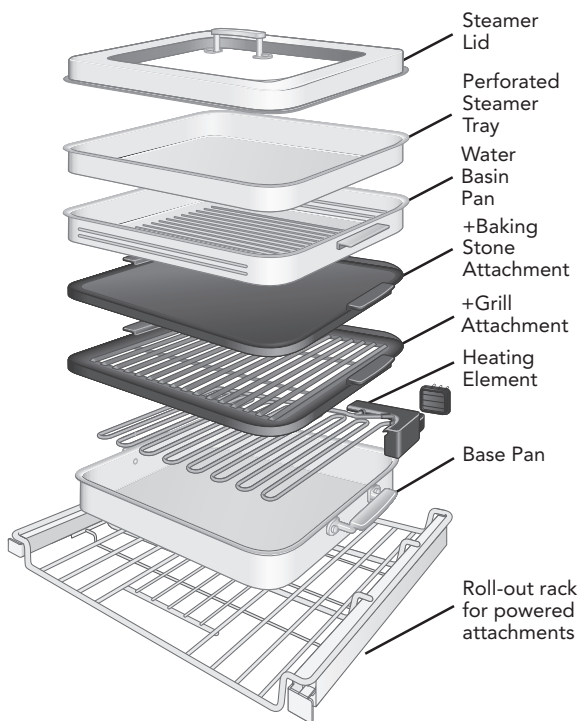


- 3** Place the desired +Powered Attachment on the Heating Element.



- 4** Push the roll-out rack into the oven fully. A tone will sound and an icon will appear in the display.

USING THE +POWERED ATTACHMENTS



HELPFUL TIPS: When moving the +Powered Attachments, carry only the pieces you will be using. It is not necessary to carry the whole unit at once.

GETTING STARTED


The +Powered Attachments are composed of several parts. The roll-out rack for powered attachments and Base Pan positions the +Powered Attachments in the oven and catches drips. The Heating Element provides even heat to the +Powered Attachments. One +Powered Attachment can be used at a time, but the +Baking Stone Attachment, +Grill Attachment, and +Steamer Attachment can be stacked together for easy storage with the Heating Element and Base Pan.

TIPS FOR BEST RESULTS

- Always fully extend the roll-out rack to gain easy access to the +Powered Attachments.
- To avoid damage, do not cook food directly on the Heating Element.

USING THE +POWERED ATTACHMENTS

CLEANING

⚠ WARNING

Electrical Shock Hazard Do not immerse heating element in water or place in dishwasher. Doing so can result in death or electrical shock.

Wash the Base Pan and +Powered Attachments after every use. Food spills can react with the coating and result in permanent stains, foods sticking to the attachments, or smoking while in use.

- To avoid damage to the +Powered Attachments, do not use the oven's self-cleaning function for the +Powered Attachments.
- The Base Pan and +Powered Attachments are dishwasher-safe. The Heating Element is not dishwasher-safe.
- If hand-washing, use soapy water and a soft cloth or sponge.
- Do not immerse Heating Element in water.

STORING THE +POWERED ATTACHMENTS

GETTING STARTED

The +Powered Attachments are designed for ease of storage. The +Steamer Attachment, +Baking Stone Attachment, and +Grill Attachment conveniently stack together on top of the Heating Element and the Base Pan. There are many ways to store the +Powered Attachments, including:

KITCHEN CABINET

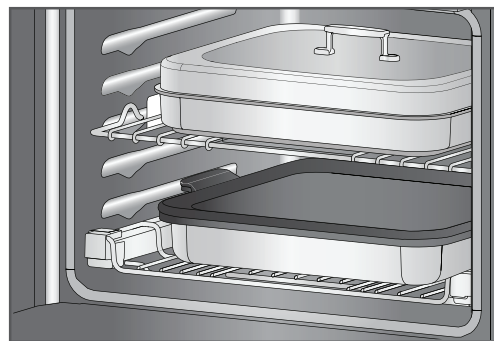
The +Powered Attachments can be stored inside any large enough kitchen cabinet by stacking them together.



SMART OVEN+

The +Powered Attachments can be stored inside the Smart Oven+ cavity for ease of access. Place the +Grill and the +Baking stone attachment on top of the Heating Element inside the Base Pan, place the +Powered Attachments on the roll-out rack for powered attachments, and push the rack inside the oven. Place the +Steamer Attachment on a flat rack above the +Baking Stone Attachment.

IMPORTANT: Remove the +Powered Attachments from the oven cavity before using non powered attachment modes or self-cleaning the oven.







SMART OVEN+ POWERED BAKING STONE ATTACHMENT

The Smart Oven+ Baking Stone Attachment allows you to expand the possibilities of your baking. It can crisp a variety of dishes from seared kabobs to crab cakes to breakfast scones, and the stone's large size empowers you to stone-bake even a 14" (35.6 cm) pizza. Because it's integrated with the oven, the Smart Oven+ Baking Stone preheats in half the time of a non-integrated stone* and alerts you when preheating is complete. And you can control the baking stone through the display, or monitor and control it from a mobile device when remote-enabled.**

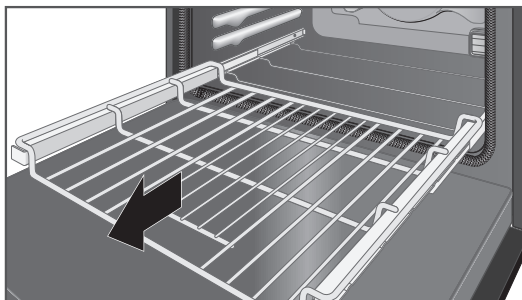
* Compared to baking stones of similar size, weight and material.

**Wi-Fi & App required. Features subject to change. For details and privacy statement, visit kitchenaid.com/connect.

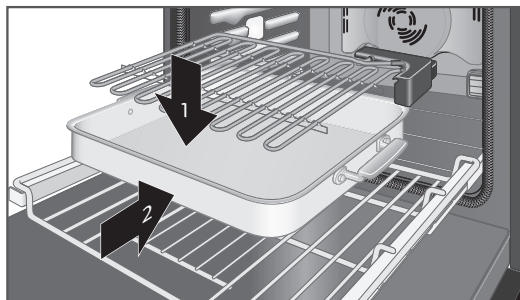
INSTALLING THE +BAKING STONE ATTACHMENT

INSTALLATION

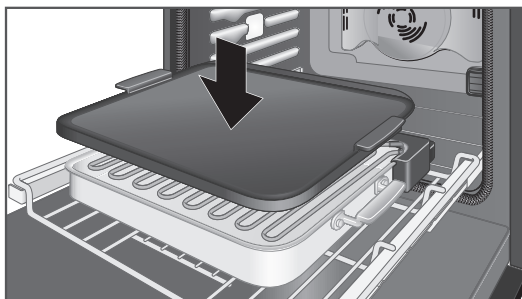
The +Powered Attachments fit on the SatinGlide™ Roll-Out Extension Rack for Smart Oven+ Attachments. They will not rock or wobble when installed correctly. Always fully extend the roll-out rack before placing the +Powered Attachments. The roll-out rack will lock in place when fully extended.



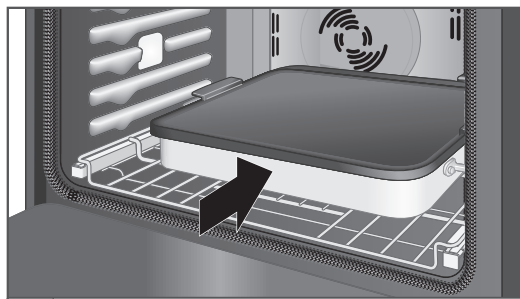
- 1 Insert the roll-out rack into the lowest rack position. Some force is required. Extend the rack.



- 2 Place the Base Pan and Heating Element on the roll-out rack. Push the Base Pan in until the feet lock into place.



- 3 Place the Baking Stone onto the Heating Element.



- 4 Push the roll-out rack into the oven fully. A tone will sound and an icon will appear in the display.

USING THE +BAKING STONE ATTACHMENT

GETTING STARTED

Preheat the +Baking Stone Attachment before placing food. While the length of preheat time will vary depending on the oven temperature, the Heating Element will bring the +Baking Stone Attachment to temperature in under 30 minutes.


The +Baking Stone Attachment is glazed for easy cleaning, but it can be lined with a sheet of parchment paper.

TIPS FOR BEST RESULTS

- To transfer multiple items on and off the +Baking Stone Attachment easily, place parchment paper on a non-rimmed cookie sheet and arrange the items on the parchment in a single layer. When the +Baking Stone Attachment is preheated, slide the parchment paper with the items onto the stone and bake as usual. When done, slide the parchment paper back onto the sheet.
- Cover the +Baking Stone Attachment with a sheet of parchment paper for easier clean-up, especially when baking items such as free form pies, tarts, or fruit turnovers. Baked-on pie filling can be very difficult to remove from the +Baking Stone Attachment.
- To gain easy access to the stone, extend the roll-out rack for powered attachments. Simply push the +Baking Stone Attachment fully back into the oven cavity (within 2 minutes) to continue the cycle.
- Some items, such as bread and rolls, do not need to be turned. When baking items such as fresh breaded fish or chicken, turn halfway through baking.
- Pizza up to 14" (35.6 cm) will fit on the +Baking Stone Attachment.
- Long, skinny items, such as baguettes, can be placed diagonally on the +Baking Stone Attachment to better fit.

USING THE +BAKING STONE ATTACHMENT

CLEANING

⚠ WARNING

Electrical Shock Hazard Do not immerse heating element in water or place in dishwasher. Doing so can result in death or electrical shock.

Wash the +Baking Stone Attachment after every use. Food spills can react with the coating and result in permanent stains, foods sticking to the +Baking Stone Attachment, or smoking while in use.

- To avoid damage, do not use the oven's self-cleaning function for the +Baking Stone Attachment.
- The +Baking Stone Attachment is dishwasher-safe.

- If hand washing, use soapy water and a soft cloth or sponge.
- Baking soda can aid in removing difficult spills.
- Avoid extreme temperature changes.
- Before cleaning, allow the +Baking Stone Attachment to cool.
- Do not use +Baking Stone Attachment if damaged or chipped.
- Use a plastic scraper to remove baked-on foods.
- Do not use under the broiler.
- Avoid bumping or dropping the +Baking Stone Attachment, which can break.
- Avoid placing any other pan or rack on top of the +Baking Stone Attachment.
- The +Baking Stone Attachment is metal utensil safe.
- When placing the +Baking Stone Attachment on a surface, first cover surface with a sturdy material to avoid scratches.





SMART OVEN+ POWERED GRILL ATTACHMENT

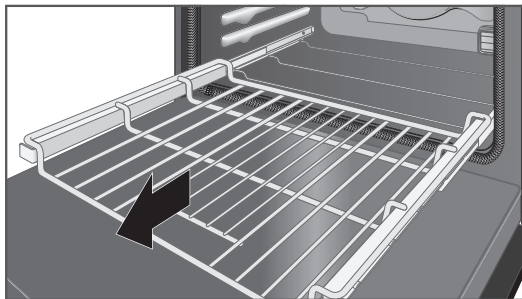
The Smart Oven+ Grill Attachment allows true grilling year-round. Its advanced design minimizes smoke and eliminates the flare-ups common with outdoor grills. It also heats evenly from edge to edge, providing consistent results and enabling you to use the entire grilling surface for everything from steak and burgers to pizza and scallops. And you can control the grilling process through the display, or monitor and control it from a mobile device when remote-enabled.*

*Wi-Fi & App required. Features subject to change. For details and privacy statement, visit kitchenaid.com/connect.

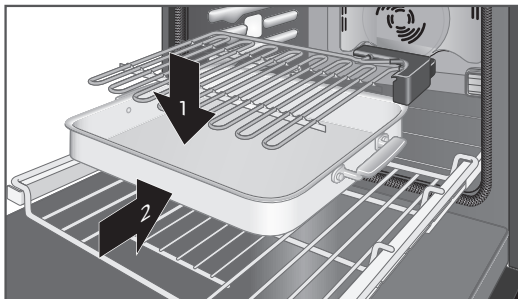
INSTALLING THE +GRILL ATTACHMENT

INSTALLATION

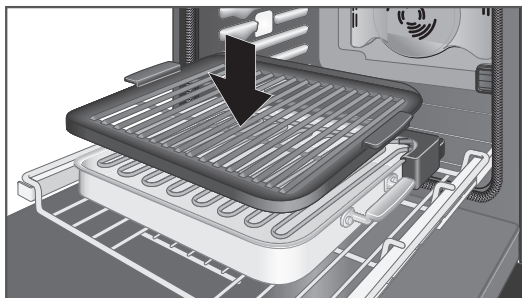
The +Powered Attachments fit on the SatinGlide™ Roll-Out Extension Rack for Smart Oven+ Attachments. They will not rock or wobble when installed correctly. Always fully extend the roll-out rack before placing the +Powered Attachments. The roll-out rack will lock in place when fully extended.



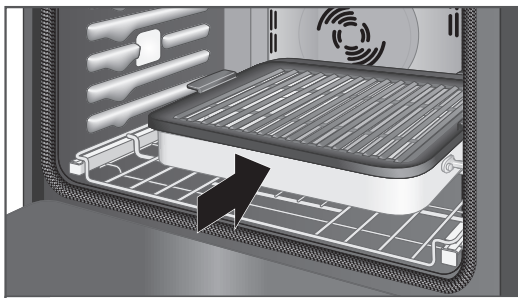
- 1** Insert the roll-out rack into the lowest rack position. Some force is required. Extend the rack.



- 2** Place the Base Pan and Heating Element on the roll-out rack. Push the Base Pan in until the feet lock into place.



- 3** Place the Grill on the Heating Element.



- 4** Push the roll-out rack into the oven fully. A tone will sound and an icon will appear in the display.

USING THE +GRILL ATTACHMENT

GETTING STARTED

Preheat the +Grill Attachment per the recipe instructions before placing food.

The +Grill Attachment has a nonstick coating for easy cleaning. Metal utensils may scratch or damage this coating.

The +Grill Attachment has an additional Sear functionality for creating grill lines. While cooking, touch the Sear button on the console. The +Grill Attachment will reach a more intense heat for 5 minutes to sear grill lines into the food.


TIPS FOR BEST RESULTS

Food	Notes
Bone-In Chicken Breast (Up to 12 oz each)	Start with skin-side down.
Boneless Chicken Breast (Up to 8-10 oz each)	Start with smooth-side down.
Hamburger Patties (Up to nine 1/4 lb [115 g] patties)	80% lean or leaner will produce best results.
Pizza (Up to 8" [20.3 cm] in diameter)	Too many toppings or highly liquid sauces can make grilled pizzas soggy. Precooked or raw toppings that only need to be warmed should be used.
Fruit	Cook until both sides have grill marks and fruit is just warmed to the center. Do not overcook or fruit will become very soft.

- Add 1 cup (240 mL) of water to the base pan when grilling to avoid smoke generation (recommended if broiling greasy/fatty foods such as burgers, rib eye steaks, etc.).
- When grilling unevenly thick pieces of fish or meat, position the thickest parts in the center of the +Grill Attachment for more even results.
- For best results, do not turn thin fillets of fish.
- Remove excess fat from meats or poultry. With steaks or chops, slash the edges of fat to prevent meat from curling.
- Choose items to be grilled that are about the same size and thickness. Leave 1" (2.5 cm) of space around each item being grilled.
- Brush sauces or glazes on in the last few minutes. High-sugar sauces or glazes are more likely to burn if added too early.
- Season with desired herbs and spices before grilling, but season with salt after grilling.
- When grilling pizza, cook one side of the crust until grill marks are the desired darkness. Remove from the +Grill Attachment and put toppings on the grilled side. Slide pizza back onto the +Grill Attachment to finish cooking.
- Opening the door will slow grilling and may adversely affect the browning.
- Always use an instant-read meat thermometer to determine doneness.

USING THE +GRILL ATTACHMENT

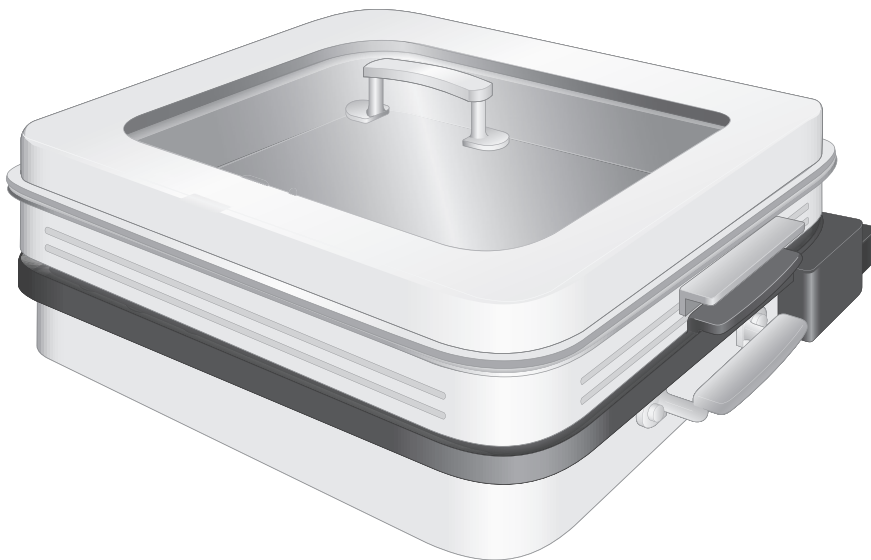
CLEANING

⚠ WARNING

Electrical Shock Hazard Do not immerse heating element in water or place in dishwasher. Doing so can result in death or electrical shock.

- To avoid damage, do not use the oven's self-cleaning function for the +Grill Attachment.
- The +Grill Attachment is dishwasher-safe.
- If hand washing, use soapy water and a soft cloth or sponge.

Wash the +Grill Attachment after every use. Food spills can react with the coating and result in permanent stains, foods sticking to the +Grill Attachment, or smoking while in use.





SMART OVEN+ POWERED STEAMER ATTACHMENT

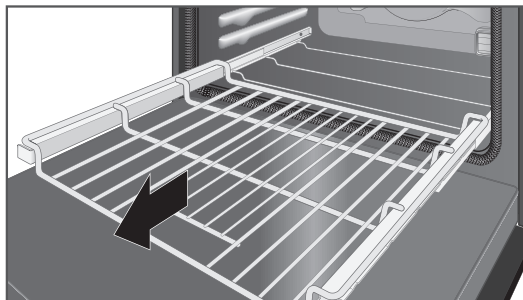
The Smart Oven+ Steamer Attachment keeps foods tender and provides the benefits of steaming. It has the capacity to dramatically expand the capabilities of steam cooking across a wider range of foods. It can even prepare a complete dinner for four including meat or fish, potato or pasta, and vegetable. The attachment can also be used with the Steam Assist mode to create a humid cooking environment ideal for baked goods, breads and roasts. And you can control the attachment through the display, or monitor and control it from a mobile device when remote-enabled.*

*Wi-Fi & App required. Features subject to change. For details and privacy statement, visit kitchenaid.com/connect.

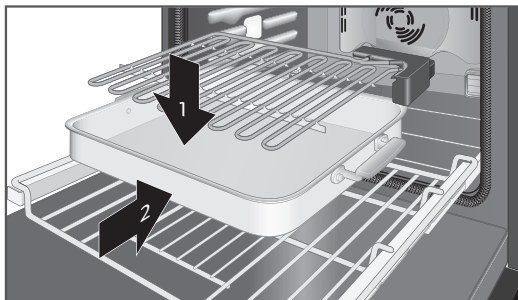
INSTALLING THE +STEAMER ATTACHMENT

INSTALLATION

The +Powered Attachments fit on the SatinGlide™ Roll-Out Extension Rack for Smart Oven+ Attachments. They will not rock or wobble when installed correctly. Always fully extend the roll-out rack before placing the +Powered Attachments. The roll-out rack will lock in place when fully extended.



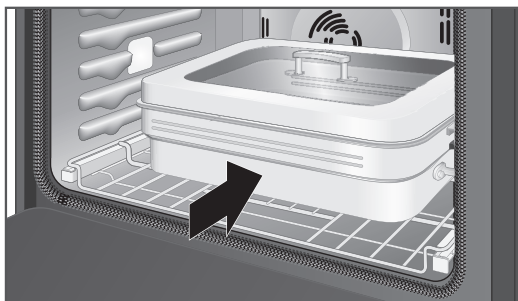
- 1 Insert the roll-out rack into the lowest rack position. Some force is required. Extend the rack.



- 2 Place the Base Pan and Heating Element on the roll-out rack. Push the Base Pan in until the feet lock into place.

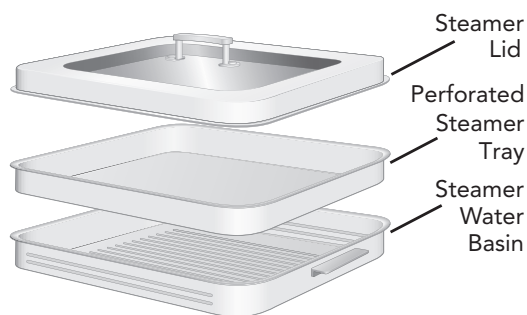


- 3 Place the Steamer on the Heating Element.



- 4 Push the roll-out rack into the oven fully. A tone will sound and an icon will appear in the display.

USING THE +STEAMER ATTACHMENT



GETTING STARTED

Pour approximately 4 cups (960 mL) of water into the Steamer Water Basin, and then place the Perforated Steamer Tray onto the Steamer Water Basin.

The +Steamer Attachment was designed to hold 6 servings of food. Arrange food in a single layer on the Perforated Steamer Tray with space around each piece. Cover with the Steamer Lid.

STEAM ASSIST MODE

The Steam Assist Mode combines the dry heat of a convection oven with steam to create a humid environment for cooking, enhancing the flavor and texture of foods. It is ideal for items like cheesecake, breads, and a whole chicken or turkey, as it results in a moist interior and perfectly browned exterior of the food.


The Steam Assist Mode uses the +Steamer Attachment. When cooking with the Steam Assist Mode, do not use the Steamer Lid. This will allow the steam to escape and fill the oven cavity during the cooking process.

TIPS FOR BEST RESULTS

- Like-sized pieces will cook more evenly.
- Different types foods, such as fish and vegetables, may be cooked at the same time without mixing their flavors.
- For best results, choose foods that cook for approximately the same length of time.
- Always open the Steamer Lid away from you to allow steam to escape.
- Opening the oven and removing the Steamer Lid frequently during steaming will affect the quality of the food. Check food only when necessary.
- When using Steam Assist for foods like cheesecake, place the food in a standard pan and set it directly in the Perforated Steamer Tray; set it inside the Steamer Water Basin, but do not cover with the Steamer Lid.
- When using Steam Assist for items, like bread or poultry, place the food in a regular pan, according to baking instructions, and place it on the standard rack above the +Steamer Attachment.

USING THE +STEAMER ATTACHMENT

CLEANING

⚠ WARNING

Electrical Shock Hazard Do not immerse heating element in water or place in dishwasher. Doing so can result in death or electrical shock.

- To avoid damage, do not use the oven's self-cleaning function for the +Steamer Attachment.
- The +Steamer Attachment is dishwasher-safe.
- If hand washing, use soapy water and a soft cloth or sponge.

Wash the Steamer Lid, Perforated Steamer Tray, and Steamer Water Basin after every use. Food spills can react with the material and result in permanent stains, foods sticking to the Perforated Steamer Tray, or smoking while in use.

TROUBLESHOOTING

First try the solutions suggested here. If you need further assistance or more recommendations that may help you avoid a service call, visit <http://producthelp.kitchenaid.com>. In Canada, visit <http://www.kitchenaid.ca>.

Contact us by mail with any questions or concerns at the address below:

In the U.S.A.:

KitchenAid Brand Home Appliances
Customer eXperience Center
553 Benson Road
Benton Harbor, MI 49022-2692

In Canada:

KitchenAid Brand Home Appliances
Customer eXperience Centre
200 - 6750 Century Ave.
Mississauga, Ontario L5N 0B7

Please include a daytime phone number in your correspondence.

GENERAL

- 1. Plug doesn't line up** – Check that SatinGlide™ Roll-Out Extension Rack for Smart Oven+ Attachments is properly installed and lined up. If it is, make sure the Base Pan is properly placed. Base Pan “feet” should fit neatly on the 3rd and 10th spaces (from the left) on the rack. Once placed, gently slide the Base Pan back until it locks into place on the rack.
- 2. No tone for connection** – There is approximately a 2-second delay before the tone sounds. If you do not hear a tone, pull the Base Pan with heating element out fully and fully reinsert it. Wait for a tone.
- 3. Attachment not in right spot on the roll-out rack for powered attachments** – Check that the roll-out rack for powered attachments is positioned correctly. Make sure the correct attachment is being used. The Base Pan “feet” should fit neatly on the rack, in the 3rd and 10th spaces (from the left) on the rack.
- 4. +Powered Attachment disconnects while cooking** – Should the +Powered Attachment disconnect, a tone (different from the connection tone) will sound and the icon will disappear from the display. Open the oven and extend the roll-out rack for powered attachments to disconnect the Base Pan and +Powered Attachment from the plug. Once removed, push the roll-out rack for powered attachments back in to reconnect the +Powered Attachment to the plug. Make sure the connection tone sounds and the icon reappears in the display. This can be done with any attachment that is in use (+Grill Attachment, +Baking Stone Attachment, +Steamer Attachment, etc.). Note that only the +Grill Attachment secures to the Base Pan.

TROUBLESHOOTING

GENERAL

5. Oven is smoking – Should you notice smoke during a cooking cycle, it is time to self clean the oven. Once the current cooking cycle is over and the +Powered Attachments have cooled down, remove them, along with the roll-out rack for powered attachments and begin a Self-Cleaning cycle.

NOTE: Steam during a cycle is normal, and will dissipate quickly with very little odor.

6. +Grill Attachment is smoking – Once cool, remove the +Powered Attachment, +Grill Attachment, and Base Pan from oven. The Base Pan and all +Powered Attachments are dish washer safe. Clean +Grill Attachment and/or Base Pan by hand washing or place in dishwasher.

7. Smoke/steam from oven changes the User Interface (UI) (false touch) – If steam from the oven affects the UI, simply hit the Back button once to return to the preheat/cooking timer. If steam completely canceled out of cooking mode, use the UI to return to previous cooking setting.

WARRANTY

KITCHENAID® +POWERED ATTACHMENTS WARRANTY FOR THE 50 UNITED STATES, THE DISTRICT OF COLUMBIA, PUERTO RICO, AND CANADA

This warranty extends to the purchaser and any succeeding owner of the +Powered Attachments operated in the 50 United States, the District of Columbia, Puerto Rico, and Canada.

Length of Warranty:

One Year Full Warranty from date of purchase.

KitchenAid Will Pay for Your Choice of:

Hassle-Free Replacement of your +Powered Attachments. See the next page for details on how to arrange for service, or call the Customer eXperience Center toll-free at **1-800-541-6390**.

OR

The replacement parts and repair labor costs to correct defects in materials and workmanship. Service must be provided by an Authorized KitchenAid Service Center.

**KitchenAid Will Not Pay for:**

- A. Repairs when your +Powered Attachments is used in other than normal single family home use.
- B. Damage resulting from accident, alteration, misuse, or abuse.
- C. Any shipping or handling costs to deliver your +Powered Attachments to an Authorized Service Center.
- D. Replacement parts or repair labor costs for +Powered Attachments operated outside the 50 United States, District of Columbia, Puerto Rico, and Canada.

DISCLAIMER OF IMPLIED WARRANTIES; LIMITATION OF REMEDIES

IMPLIED WARRANTIES, INCLUDING TO THE EXTENT APPLICABLE WARRANTIES OF MERCHANTABILITY OR FITNESS FOR A PARTICULAR PURPOSE, ARE EXCLUDED TO THE EXTENT LEGALLY PERMISSIBLE. ANY IMPLIED WARRANTIES THAT MAY BE IMPOSED BY LAW ARE LIMITED TO ONE YEAR, OR THE SHORTEST PERIOD ALLOWED BY LAW. SOME STATES AND PROVINCES DO NOT ALLOW LIMITATIONS OR EXCLUSIONS ON HOW LONG AN IMPLIED WARRANTY OF MERCHANTABILITY OR FITNESS LASTS, SO THE ABOVE LIMITATIONS OR EXCLUSIONS MAY NOT APPLY TO YOU.

IF THIS PRODUCT FAILS TO WORK AS WARRANTED, CUSTOMER'S SOLE AND EXCLUSIVE REMEDY SHALL BE REPAIR OR REPLACEMENT ACCORDING TO THE TERMS OF THIS LIMITED WARRANTY. KITCHENAID AND KITCHENAID CANADA DO NOT ASSUME ANY RESPONSIBILITY FOR INCIDENTAL OR CONSEQUENTIAL DAMAGES. This warranty gives you specific legal rights and you may also have other rights which vary from state to state or province to province.

WARRANTY

HASSLE-FREE REPLACEMENT WARRANTY – 50 UNITED STATES, DISTRICT OF COLUMBIA, AND PUERTO RICO

We're so confident the quality of our products meets the exacting standards of KitchenAid that, if your +Powered Attachments should fail within the first year of ownership, KitchenAid will arrange to deliver an identical or comparable replacement to your door free of charge and arrange to have your original +Powered Attachments returned to us. Your replacement unit will also be covered by our one year limited warranty. If your +Powered Attachments should fail within the first year of ownership, simply call our toll-free Customer eXperience Center at

1-800-541-6390 Monday through Friday. Please have your original sales receipt available when you call. Proof of purchase will be required to initiate the claim. Give the consultant your complete shipping address (no P.O. Box numbers, please).

When you receive your replacement +Powered Attachments, use the carton, packing materials, and prepaid shipping label to pack up your original +Powered Attachments and send it back to KitchenAid.

HASSLE-FREE REPLACEMENT WARRANTY – CANADA

We're so confident the quality of our products meets the exacting standards of KitchenAid that, if your +Powered Attachments should fail within the first year of ownership, KitchenAid will arrange to deliver an identical or comparable replacement to your door free of charge and arrange to have your original +Powered Attachments returned to us. Your replacement unit will also be covered by our one year limited warranty. If your +Powered Attachments should fail within the first year of ownership, simply

call our toll-free Customer eXperience Center at **1-800-807-6777** Monday through Friday. Please have your original sales receipt available when you call. Proof of purchase will be required to initiate the claim. Give the consultant your complete shipping address.

When you receive your replacement +Powered Attachments, use the carton, packing materials, and prepaid shipping label to pack up your original +Powered Attachments and send it back to KitchenAid.

WARRANTY

ARRANGING FOR SERVICE AFTER THE WARRANTY EXPIRES, OR ORDERING ACCESSORIES AND REPLACEMENT PARTS

In the United States and Puerto Rico:

For service information, or to order accessories or replacement parts, call toll-free at **1-800-541-6390** or write to:

Customer eXperience Center,
KitchenAid Small Appliances,
P.O. Box 218, St. Joseph, MI 49085-0218

Outside the United States and Puerto Rico:

Consult your local KitchenAid dealer or the store where you purchased the +Powered Attachments for information on how to obtain service.

For service information in Canada:

Call toll-free **1-800-807-6777**.

MERCI d'avoir acheté ce produit de grande qualité. Enregistrer votre four encastré au register.kitchenaid.com. Au Canada, enregistrer votre four encastré sur register.kitchenaid.ca.

Pour référence ultérieure, consignez par écrit les numéros de modèle et de série de votre produit. Ces numéros se trouvent sur l'étiquette située sur le bord inférieur du tableau de commande, côté droit.

Numéro de modèle _____ Numéro de série _____

TABLE DES MATIÈRES

28 INSTALLATION DES ACCESSOIRES ÉLECTRIQUES

- 29 Utilisation des accessoires électriques
- 31 Rangement des accessoires électriques

33 PIERRE DE CUISSON ÉLECTRIQUE POUR FOUR INTELLIGENT

- 34 Installation de la pierre de cuisson
- 35 Utilisation de la pierre de cuisson

38 GRIL ÉLECTRIQUE POUR FOUR INTELLIGENT

- 39 Installation du gril
- 40 Utilisation du gril

43 CUISEUR-VAPEUR ÉLECTRIQUE POUR FOUR INTELLIGENT

- 44 Installation du cuiseur-vapeur
- 45 Utilisation du cuiseur-vapeur

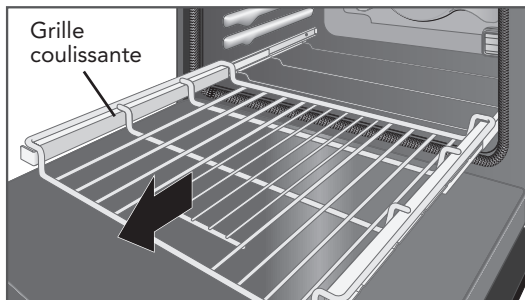
47 DÉPANNAGE

49 GARANTIE

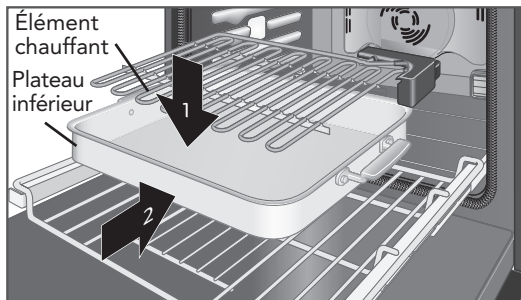
INSTALLATION DES ACCESSOIRES ÉLECTRIQUES

INSTALLATION

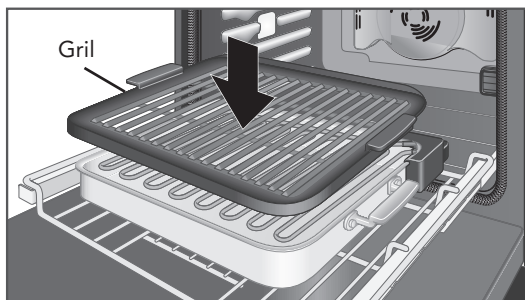
Les accessoires électriques peuvent être placés sur la grille coulissante SatinGlide™ conçue pour four intelligent. Ils ne se balanceront et n'oscilleront pas s'ils sont bien installés. Toujours déployer complètement la grille coulissante avant d'y placer un accessoire électrique. La grille coulissante se verrouille en place lorsqu'elle est entièrement déployée.



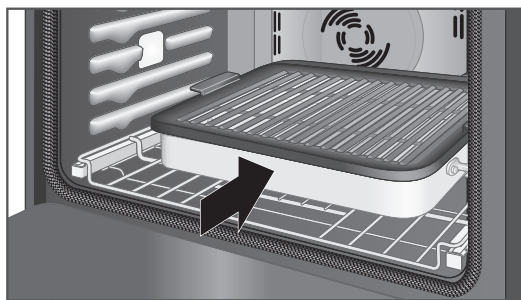
- 1** Placer la grille coulissante à la position la plus basse. Il faudra appliquer une certaine force. Tirer sur la grille.



- 2** Placer le plateau inférieur sur l'élément chauffant de la grille coulissante. Repousser le plateau inférieur vers l'intérieur jusqu'à ce que les pieds se verrouillent en place.

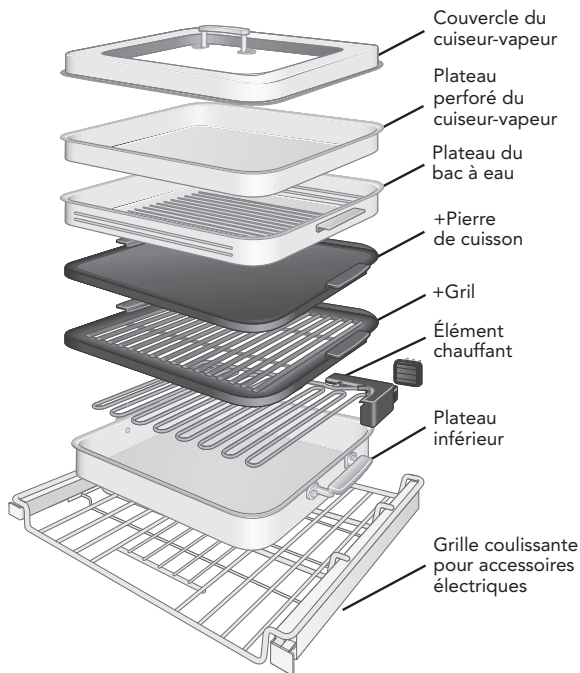


- 3** Placer l'accessoire électrique souhaité sur l'élément chauffant.



- 4** Replacer complètement la grille coulissante dans le four. Un signal sonore se fait entendre et une icône apparaît sur l'afficheur.

UTILISATION DES ACCESSOIRES ÉLECTRIQUES



CONSEILS UTILES : Lors du transport des accessoires électriques, ne transporter que ceux qui seront utilisés. Il n'est pas nécessaire de transporter tous les accessoires à la fois.

MISE EN PLACE

Les accessoires électriques sont composés de plusieurs pièces. La grille coulissante pour accessoires électriques et le plateau inférieur placent les accessoires électriques dans le four et ramassent les gouttes. L'élément chauffant fournit une chaleur égale pour les accessoires électriques. Un seul accessoire électrique peut être utilisé en tout temps, mais la pierre de cuisson, le gril et le cuiseur-vapeur peuvent être empilés pour en faciliter le rangement avec l'élément chauffant et le plateau inférieur.

CONSEILS POUR OBTENIR DE BONS RÉSULTATS

- Toujours déployer complètement la grille coulissante pour facilement accéder aux accessoires électriques.
- Afin d'éviter les dommages, ne pas cuire d'aliments directement sur l'élément chauffant.

UTILISATION DES ACCESSOIRES ÉLECTRIQUES

NETTOYAGE

⚠ AVERTISSEMENT



Risque de choc électrique

Ne pas plonger l'élément chauffant dans l'eau ou le placer au lave-vaisselle.

Le non-respect de cette instruction peut causer un décès ou une choc électrique.

- Pour éviter d'endommager les accessoires électriques, ne pas utiliser la fonction d'autonettoyage du four pour les accessoires électriques.
- Le plateau inférieur et les accessoires électriques peuvent être lavés au lave-vaisselle. L'élément chauffant n'est pas lavable au lave-vaisselle.
- Pour le nettoyage à la main, utiliser de l'eau savonneuse et un chiffon doux ou une éponge.
- Ne pas plonger l'élément chauffant dans l'eau.

Laver le plateau inférieur et les accessoires électriques après leur utilisation. Les renversements d'aliments peuvent réagir avec le revêtement et causer des taches permanentes, rester collés aux accessoires ou produire de la fumée.

RANGEMENT DES ACCESSOIRES ÉLECTRIQUES

MISE EN PLACE

Les accessoires électriques sont conçus pour être faciles à ranger. Le cuiseur-vapeur, la pierre de cuisson et le gril s'empilent facilement sur l'élément chauffant et le plateau inférieur. Il y a plusieurs façons de ranger les accessoires électriques :

ARMOIRE DE CUISINE

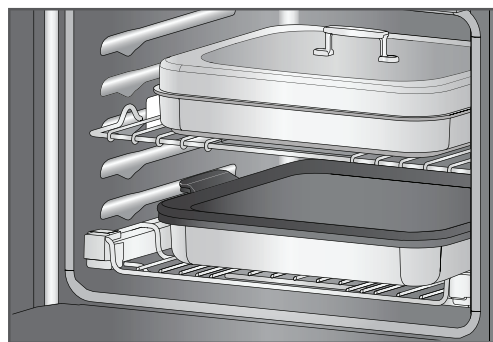
Les accessoires électriques peuvent être empilés dans une armoire de cuisine suffisamment grande.



FOUR INTELLIGENT

Les accessoires électriques peuvent être rangés dans le four intelligent pour un accès facile. Placer le gril et la pierre de cuisson sur l'élément chauffant, à l'intérieur du plateau inférieur, placer les accessoires électriques sur la grille coulissante pour accessoires électriques et pousser la grille dans le four. Placer le cuiseur-vapeur sur une grille plate, au-dessus de la pierre de cuisson.

IMPORTANT : Retirer les accessoires électriques du four avant d'utiliser un mode de cuisson sans accessoire électrique ou de lancer l'autonettoyage.







PIERRE DE CUISSON ÉLECTRIQUE POUR FOUR INTELLIGENT

La pierre de cuisson électrique pour four intelligent offre de nouvelles façons d'utiliser le four. Elle permet de rendre plusieurs plats croustillants, des chiches-kebabs grillés aux croquettes de crabe en passant par les scones du déjeuner. Sa grande taille permet même de cuire une pizza de 14 po (35,6 cm). Parce qu'elle est intégrée au four, la pierre de cuisson pour four intelligent prend moitié du temps à préchauffer qu'une pierre non intégrée* et vous indique lorsque le préchauffage est terminé. La pierre de cuisson peut être commandée à partir de l'écran ou surveillée et commandée à partir d'un appareil mobile lorsque la commande à distance est activée.**

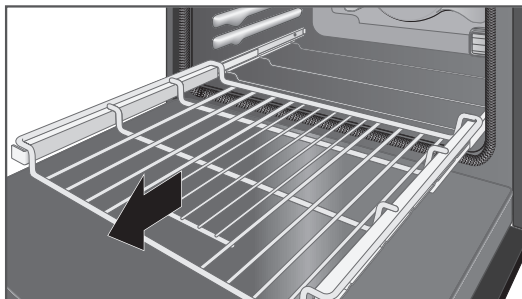
* Comparée à une pierre de cuisson fabriquée dans le même matériau, de taille et poids similaires.

**Connexion Wi-Fi et application requises. Caractéristiques sujettes à changement. Pour obtenir les détails et la politique en matière de vie privée, visiter le [kitchenaid.com/connect](https://www.kitchenaid.com/connect).

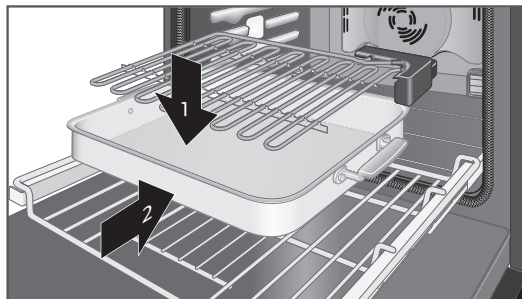
INSTALLATION DE LA PIERRE DE CUISSON

INSTALLATION

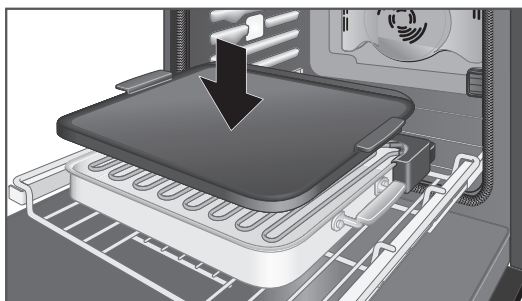
Les accessoires électriques peuvent être placés sur la grille coulissante SatinGlide™ conçue pour four intelligent. Ils ne se balanceront et n'oscilleront pas s'ils sont bien installés. Toujours déployer complètement la grille coulissante avant d'y placer un accessoire électrique. La grille coulissante se verrouille en place lorsqu'elle est entièrement déployée.



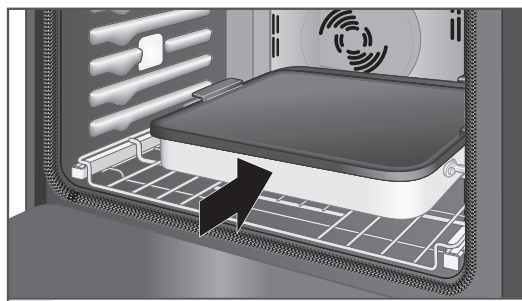
- 1 Placer la grille coulissante à la position la plus basse. Il faudra appliquer une certaine force. Tirer sur la grille



- 2 Placer le plateau inférieur sur l'élément chauffant de la grille coulissante. Pousser le plateau inférieur vers l'intérieur jusqu'à ce que les pieds se verrouillent en place.



- 3 Placer la pierre de cuisson sur l'élément chauffant.



- 4 Replacer complètement la grille coulissante dans le four. Un signal sonore se fait entendre et une icône apparaît sur l'afficheur.

UTILISATION DE LA PIERRE DE CUISSON

MISE EN PLACE

Préchauffer la pierre de cuisson avant d'y placer des aliments. Même si la durée du préchauffage peut varier en fonction de la température du four, l'élément chauffant ne prendra pas plus de 30 minutes pour chauffer la pierre de cuisson.

La pierre de cuisson est lissée pour la rendre facile à nettoyer, mais on peut y ajouter une feuille de papier sulfuré.

CONSEILS POUR OBTENIR DE BONS RÉSULTATS

- Pour placer plusieurs aliments sur la pierre de cuisson et les enlever, placer le papier sulfuré sur une tôle à biscuits sans rebord et placer les aliments sur le papier en une seule couche. Une fois la pierre de cuisson préchauffée, glisser le papier sulfuré et les aliments sur la pierre et les faire cuire normalement. Une fois prêts, replacer le papier parchemin sur la tôle à biscuit.
- Couvrir la pierre de cuisson de papier sulfuré pour en faciliter le nettoyage après la cuisson d'une tarte de forme irrégulière, de tartelettes ou de chaussons aux fruits. La garniture de tarte peut être très difficile à nettoyer de la pierre de cuisson.
- Pour facilement accéder à la pierre, tirer sur la grille coulissante pour accessoires électriques. Repousser simplement la pierre de cuisson dans le four (dans les 2 minutes) pour continuer la cuisson.
- Certains aliments, comme le pain et les petits pains n'ont pas besoin d'être retournés. Pour la cuisson d'aliments comme le poisson ou le poulet frais pané, retourner à moitié de la cuisson.
- Une pizza d'une taille maximum de 14 po (35,6 cm) peut être placée sur la pierre de cuisson.
- Les aliments longs et minces comme les baguettes peuvent être placés en diagonale sur la pierre de cuisson pour qu'ils rentrent bien dans le four.

UTILISATION DE LA PIERRE DE CUISSON

NETTOYAGE

⚠️ AVERTISSEMENT



Risque de choc électrique

Ne pas plonger l'élément chauffant dans l'eau ou le placer au lave-vaisselle.

Le non-respect de cette instruction peut causer un décès ou une choc électrique.

Laver la pierre de cuisson après chaque utilisation. Les renversements d'aliments peuvent réagir avec le revêtement et causer des taches permanentes, rester collés à la pierre de cuisson ou produire de la fumée.

- Pour éviter les dommages, ne pas utiliser la fonction d'autonettoyage du four pour la pierre de cuisson.
- La pierre de cuisson peut être lavée au lave-vaisselle.

- Pour le nettoyage à la main, utiliser de l'eau savonneuse et un chiffon doux ou une éponge.
- Le bicarbonate de soude peut aider à nettoyer les taches tenaces.
- Éviter les variations de température extrêmes.
- Avant de procéder au nettoyage, laisser la pierre de cuisson refroidir.
- Ne pas utiliser la pierre de cuisson si elle est endommagée ou écaillée.
- Utiliser une spatule en plastique pour enlever les aliments collés.
- Ne pas placer sous le gril.
- Éviter de cogner ou d'échapper la pierre de cuisson ; elle pourrait se briser.
- Éviter de placer une casserole ou une grille sur le dessus de la pierre de cuisson.
- La pierre de cuisson est sécuritaire pour les ustensiles en métal.
- Au moment de déposer la pierre de cuisson sur une surface quelconque, recouvrir cette dernière d'un matériau résistant pour éviter les égratignures.





GRIL ÉLECTRIQUE POUR FOUR INTELLIGENT

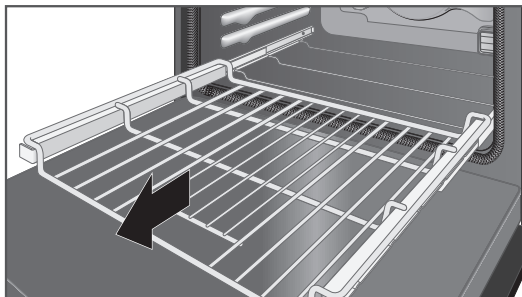
Le gril pour four intelligent permet de griller des aliments toute l'année. Sa conception de pointe réduit la production de fumée et élimine les flambées si communes avec les barbecues extérieurs. Il chauffe aussi de façon égale d'un bout à l'autre pour offrir des résultats égaux et permettre d'utiliser toute la surface de cuisson. Il permet de préparer du bifteck des hamburgers, de la pizza ou des pétoncles. Le gril peut être commandé à partir de l'écran ou surveillé et commandé à partir d'un appareil mobile lorsque la commande à distance est activée.*

*Connexion Wi-Fi et application requises. Caractéristiques sujettes à changement. Pour obtenir les détails et la politique en matière de vie privée, visiter le kitchenaid.com/connect.

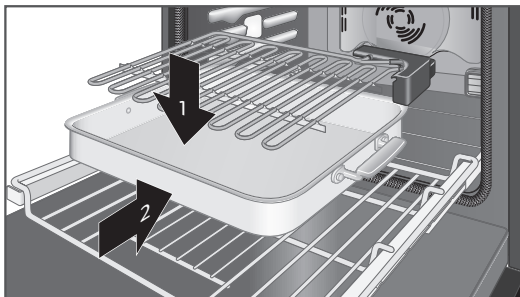
INSTALLATION DU GRIL

INSTALLATION

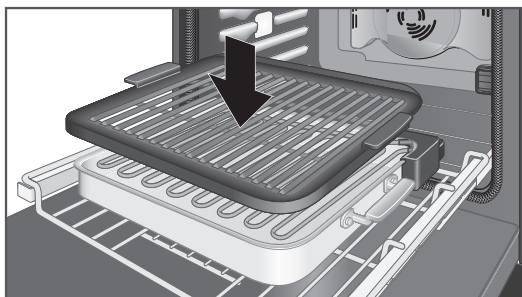
Les accessoires électriques peuvent être placés sur la grille coulissante SatinGlide™ conçue pour four intelligent. Ils ne se balanceront et n'oscilleront pas s'ils sont bien installés. Toujours déployer complètement la grille coulissante avant d'y placer un accessoire électrique. La grille coulissante se verrouille en place lorsqu'elle est entièrement déployée.



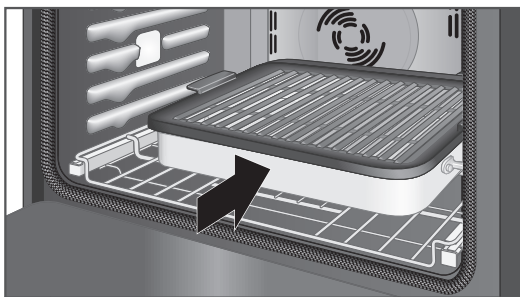
- 1** Placer la grille coulissante à la position la plus basse. Il faudra appliquer une certaine force. Tirer sur la grille



- 2** Placer le plateau inférieur sur l'élément chauffant de la grille coulissante. Pousser le plateau inférieur vers l'intérieur jusqu'à ce que les pieds se verrouillent en place.



- 3** Placer le gril sur l'élément chauffant.



- 4** Replacer complètement la grille coulissante dans le four. Un signal sonore se fait entendre et une icône apparaît sur l'afficheur.

UTILISATION DU GRIL

MISE EN PLACE

Préchauffer le gril selon les instructions de la recette avant d'y placer des aliments.

Le gril possède une surface antiadhésive facile à nettoyer. Les ustensiles en métal peuvent rayer ou endommager la surface.

Le gril peut aussi servir à faire saisir et créer des marques de gril. Pendant la cuisson, appuyer sur le bouton Sear (saisir) situé sur les commandes. Le gril atteindra une chaleur plus élevée pendant 5 minutes pour créer des lignes de gril sur les aliments.

CONSEILS POUR OBTENIR DE BONS RÉSULTATS

Aliment	Notes
Poitrine de poulet avec os (jusqu'à 12 oz chacune)	Mettre le côté peau vers le bas en premier.
Poitrine de poulet sans os (jusqu'à 8 à 10 oz chacune)	Mettre le côté lisse vers le bas en premier.
Galettes de viande hachée (galette jusqu'à 1/4 lb [115 g] chacune)	Une viande maigre à 80 % ou plus donnera les meilleurs résultats.
Pizza (jusqu'à 8 po [20,3 cm] de diamètre)	Trop de garnitures ou de sauce peuvent rendre la pizza détrempée. Des garnitures précuites ou crues qui n'ont besoin que d'être réchauffées devraient être utilisées.
Fruit	Cuire jusqu'à ce que les deux côtés aient des marques de gril et que les fruits au centre soient chauds. Ne pas trop cuire pour ne pas rendre les fruits trop mous.

- Ajouter 1 tasse (240 ml) d'eau dans le plateau inférieur lors de l'utilisation du gril pour éviter la production de fumée (recommandé pour la cuisson d'aliments gras comme les hamburgers, le bifteck de faux-filet, etc.).
- Lors de la cuisson de pièce de poisson ou de viande d'épaisseurs inégales, placer la partie la plus épaisse au centre du gril pour obtenir un résultat plus uniforme.
- Pour obtenir les meilleurs résultats, ne pas retourner les filets de poisson minces.
- Enlever l'excès de gras de la viande et du poulet. Pour la cuisson de biftecks et de côtelettes, couper les rebords de gras pour éviter que la viande ne se courbe.
- Faire griller des aliments qui ont approximativement la même taille et épaisseur. Laisser 1 po (2,5 cm) entre chaque aliment grillé.
- N'ajouter les marinades liquides que pendant les quelques dernières minutes. Les marinades liquides ont tendance à brûler si elles sont ajoutées trop tôt.
- Assaisonner d'herbe et de marinades sèches avant la cuisson, mais ne saler qu'une fois la cuisson terminée.
- Pour la cuisson d'une pizza, griller d'abord la croûte jusqu'à ce que les marques de gril soient de la couleur souhaitée. Retirer la croûte du gril et ajouter les garnitures sur le côté grillé. Replacer la pizza sur le gril pour terminer la cuisson.
- Ouvrir la porte peut ralentir la cuisson et nuire au rôtissage.
- Toujours utiliser un thermomètre à viande à lecture instantanée pour déterminer la cuisson.

UTILISATION DU GRIL

NETTOYAGE

⚠ AVERTISSEMENT

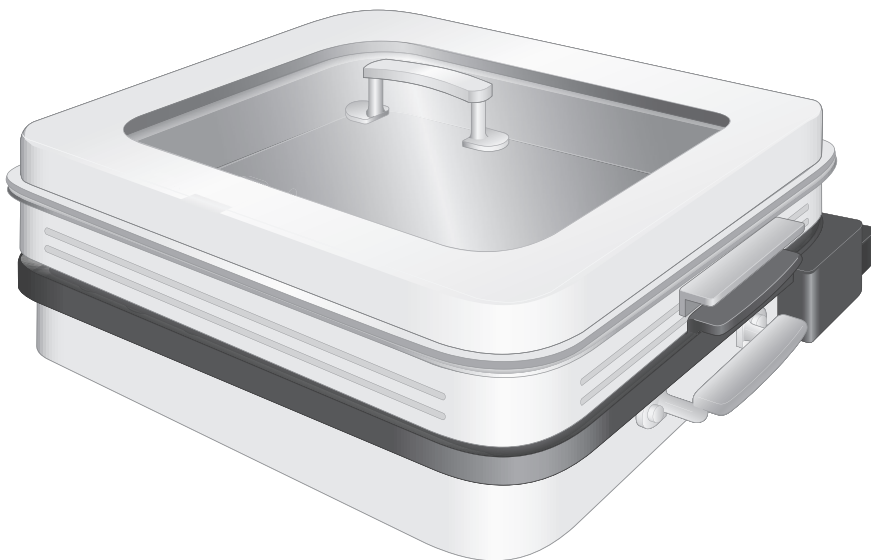
Risque de choc électrique Ne pas plonger l'élément chauffant dans l'eau ou le placer au lave-vaisselle. Le non-respect de cette instruction peut causer un décès ou une choc électrique.

Laver le gril après chaque utilisation.

Les renversements d'aliments peuvent réagir avec le revêtement et causer des taches permanentes, rester collés sur le gril ou produire de la fumée.

- Pour éviter les dommages, ne pas utiliser la fonction d'autonettoyage du four pour le gril.
- Le gril peut être lavé au lave-vaisselle.
- Pour le nettoyage à la main, utiliser de l'eau savonneuse et un chiffon doux ou une éponge.





CUISEUR-VAPEUR ÉLECTRIQUE POUR FOUR INTELLIGENT

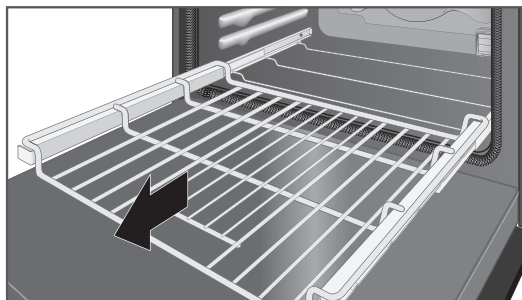
Le cuiseur-vapeur électrique pour four intelligent garde les aliments tendres et offre les avantages de la cuisson à la vapeur. Il permet de cuire à la vapeur une grande variété d'aliments. Il permet même de préparer un repas complet pour quatre qui comprend de la viande ou du poisson, des pommes de terre ou des pâtes et des légumes. Cet accessoire peut aussi être utilisé avec le mode injection de vapeur pour créer un environnement de cuisson humide parfait pour les pâtisseries, pains et rôtis. Le cuiseur-vapeur peut être commandé à partir de l'écran ou surveillé et commandé à partir d'un appareil mobile lorsque la commande à distance est activée.*

*Connexion Wi-Fi et application requises. Caractéristiques sujettes à changement. Pour obtenir les détails et la politique en matière de vie privée, visiter le [kitchenaid.com/connect](https://www.kitchenaid.com/connect).

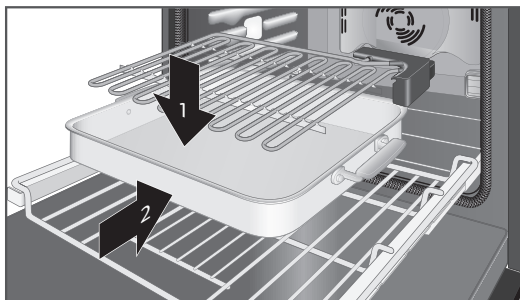
INSTALLATION DU CUISEUR-VAPEUR

INSTALLATION

Les accessoires électriques peuvent être placés sur la grille coulissante SatinGlide™ conçue pour four intelligent. Ils ne se balanceront et n'oscilleront pas s'ils sont bien installés. Toujours déployer complètement la grille coulissante avant d'y placer un accessoire électrique. La grille coulissante se verrouille en place lorsqu'elle est entièrement déployée.



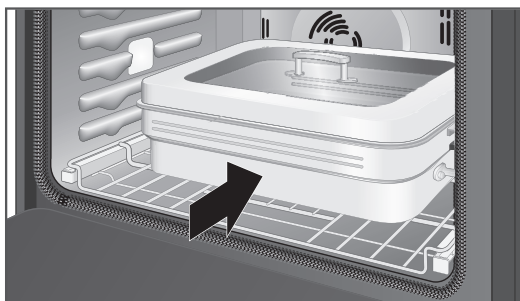
- 1 Placer la grille coulissante à la position la plus basse. Il faudra appliquer une certaine force. Tirer sur la grille.



- 2 Placer le plateau inférieur sur l'élément chauffant de la grille coulissante. Pousser le plateau inférieur vers l'intérieur jusqu'à ce que les pieds se verrouillent en place.

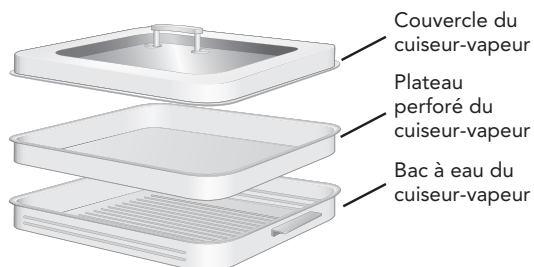


- 3 Placer le cuiseur-vapeur sur l'élément chauffant.



- 4 Replacer complètement la grille coulissante dans le four. Un signal sonore se fait entendre et une icône apparaît sur l'afficheur.

UTILISATION DU CUISEUR-VAPEUR



MISE EN PLACE

Verser environ 4 tasses (960 ml) d'eau dans le bac à eau du cuiseur-vapeur, puis placer le plateau perforé du cuiseur-vapeur sur le bac.

Le cuiseur-vapeur est conçu pour contenir 6 portions d'aliments. Placer les aliments en une seule couche sur le plateau perforé du cuiseur-vapeur en laissant de l'espace entre chaque aliment. Couvrir à l'aide du couvercle du cuiseur-vapeur.

MODE INJECTION DE VAPEUR

Le mode injection de vapeur combine la chaleur sèche d'une cuisson par convection et la vapeur pour créer un environnement de cuisson humide, ce qui améliore le parfum et la texture des aliments. Ce mode est parfait pour les aliments comme le gâteau au fromage, le pain et les dindes ou poulets entiers puisqu'il permet de garder l'intérieur humide et de faire rôtir l'extérieur des aliments.

Le mode injection de vapeur utilise le cuiseur-vapeur. Lors de la cuisson avec le mode injection de vapeur, ne pas utiliser le couvercle du cuiseur-vapeur. Ceci permettra à la vapeur de s'échapper et de remplir le four pendant la cuisson.

CONSEILS POUR OBTENIR DE BONS RÉSULTATS

- Des pièces de taille semblable cuiront de façon plus uniforme.
- Différents aliments, comme du poisson et des légumes, peuvent être préparés en même temps sans mélanger les parfums.
- Pour obtenir les meilleurs résultats, choisir des aliments qui ont besoin de cuire environ le même temps.
- Toujours ouvrir le couvercle du cuiseur-vapeur pour permettre à la vapeur de s'échapper.
- Ouvrir le four et retirer fréquemment le couvercle du cuiseur-vapeur pendant la cuisson affectera la qualité des aliments. Ne vérifier les aliments que lorsque c'est nécessaire.
- Lorsque le mode injection de vapeur est utilisé pour des aliments comme un gâteau au fromage, placer l'aliment dans un plat normal directement sur le plateau perforé du cuiseur-vapeur, dans le bac à eau du cuiseur-vapeur, mais ne pas utiliser le couvercle du cuiseur-vapeur.
- Lorsque le mode injection de vapeur est utilisé avec des aliments comme du pain ou de la volaille, placer l'aliment dans un plat normal (comme l'indiquent les instructions de cuisson) directement sur une grille ordinaire au-dessus du cuiseur-vapeur.

UTILISATION DU CUISEUR-VAPEUR

NETTOYAGE

⚠ AVERTISSEMENT



Risque de choc électrique

Ne pas plonger l'élément chauffant dans l'eau ou le placer au lave-vaisselle.

Le non-respect de cette instruction peut causer un décès ou une choc électrique.

- Pour éviter les dommages, ne pas utiliser la fonction d'autonettoyage du four pour le cuiseur-vapeur.
- Le cuiseur-vapeur peut être lavé au lave-vaisselle.
- Pour le nettoyage à la main, utiliser de l'eau savonneuse et un chiffon doux ou une éponge.

Laver le couvercle, le plateau perforé et le bac à eau du cuiseur-vapeur après chaque utilisation. Les renversements d'aliments peuvent réagir avec le matériau et causer des taches permanentes, rester collés sur le plateau perforé du cuiseur-vapeur ou produire de la fumée.

DÉPANNAGE

Essayez d'abord les solutions suggérées ici. Pour obtenir de l'aide ou des recommandations supplémentaires pour éviter un appel de service, visiter le <http://producthelp.kitchenaid.com>. Au Canada, visiter le <http://www.kitchenaid.ca>.

Il est possible d'adresser ses commentaires ou questions par courrier à l'adresse ci-dessous :

Aux États-Unis :

KitchenAid Brand Home Appliances
Customer eXperience Center
553 Benson Road
Benton Harbor, MI 49022-2692

Au Canada :

KitchenAid Brand Home Appliances
Customer eXperience Centre
200 – 6750 Century Ave.
Mississauga, Ontario L5N 0B7

Veuillez indiquer dans votre correspondance un numéro de téléphone où l'on peut vous joindre dans la journée.

INFORMATIONS GÉNÉRALES

- 1. La prise ne s'allume pas** – Vérifier la grille coulissante SatinGlide™ pour s'assurer que l'accessoire pour four intelligent est bien placé et aligné. Si c'est le cas, s'assurer que le plateau inférieur est bien placé. Les pieds du plateau inférieur devraient s'asseoir sur les 3^e et 10^e espaces (à partir de la gauche) de la grille. Une fois en place, glisser doucement de nouveau le plateau inférieur à sa place jusqu'à ce qu'il se verrouille en place sur la grille.
- 2. Aucune tonalité de connexion** – Il y a un retard d'environ 2 secondes avant la tonalité. Si la tonalité ne se fait pas entendre, tirer complètement sur le plateau inférieur avec l'élément chauffant et le replacer correctement. Attendre la tonalité.
- 3. L'accessoire n'est pas à la bonne place sur la grille coulissante pour accessoires électriques** – Vérifier que la grille coulissante pour accessoires électriques est bien placée. S'assurer que le bon accessoire est utilisé. Les pieds du plateau inférieur devraient bien s'asseoir sur les 3^e et 10^e espaces (à partir de la gauche) de la grille.
- 4. L'accessoire électrique se débranche pendant la cuisson** – Une tonalité (différente de celle de connexion) se fait entendre si l'accessoire électrique se débranche et l'icône ne sera plus affichée à l'écran. Ouvrir le four et tirer sur la grille coulissante pour accessoires électriques pour débrancher le plateau inférieur et l'accessoire électrique de la prise. Ensuite, repousser la grille coulissante et l'accessoire électrique pour rebrancher l'accessoire à la prise. S'assurer que la tonalité de connexion se fait entendre et que l'icône s'affiche de nouveau à l'écran. Cette opération peut être effectuée avec l'accessoire utilisé (gril, pierre de cuisson, cuiseur-vapeur, etc.). À noter que seul le gril se fixe de façon sécuritaire au plateau inférieur.

DÉPANNAGE

INFORMATIONS GÉNÉRALES

5. **Le four produit de la fumée** – Il est temps d'effectuer un autonettoyage si le four commence à produire de la fumée pendant la cuisson. Une fois la cuisson terminée et les accessoires électriques refroidis, retirer les accessoires et la grille coulissante, puis lancer un programme d'autonettoyage.

REMARQUE : La production de vapeur pendant une cuisson ordinaire est normale, elle se dissipera rapidement et n'occasionnera que très peu d'odeur.

6. **Le grill produit de la fumée** – Une fois refroidi, retirer l'accessoire électrique, le grill et le plateau inférieur du four. Le plateau inférieur et l'accessoire électrique peuvent être lavés au lave-vaisselle. Nettoyer le grill ou le plateau inférieur à la main ou au lave-vaisselle.

7. **De la fumée/vapeur s'échappant du four modifie l'interface utilisateur (IU)** – Si de la vapeur s'échappant du four affecte l'IU, simplement appuyer une fois sur le bouton de retour pour revenir à la minuterie de préchauffage/cuisson. Si la vapeur a entièrement annulé un mode de cuisson, utiliser l'IU pour revenir aux réglages de cuisson précédents.

GARANTIE

GARANTIE DES ACCESSOIRES ÉLECTRIQUES KITCHENAID® POUR LES 50 ÉTATS DES ÉTATS-UNIS LE DISTRICT FÉDÉRAL DE COLUMBIA, PORTO RICO ET LE CANADA

La présente garantie couvre l'acheteur et les propriétaires suivants des accessoires électriques lorsqu'ils sont utilisés dans les 50 États des États-Unis, le district fédéral de Columbia, à Porto Rico et au Canada.

Durée de la garantie : Garantie complète d'un an à compter de la date d'achat.

KitchenAid prendra en charge les éléments suivants à votre choix :



Remplacement sans difficulté des accessoires électriques. Voir la page suivante pour plus de détails concernant la procédure à suivre pour un dépannage, ou appeler le numéro sans frais **1 800 541-6390** du Centre eXpérience à la clientèle.

OU

Les frais de pièces de rechange et de main-d'œuvre pour corriger les vices de matériaux et de fabrication. L'intervention de dépannage doit être effectuée par un centre de dépannage KitchenAid agréé.

KitchenAid ne paiera pas pour :

- A. Les réparations lorsque les accessoires électriques sont utilisés hors du cadre d'un usage unifamilial normal.
- B. Les dommages causés par : accident, altération, mauvaise utilisation ou abus.
- C. Tout frais d'expédition ou de manutention pour livrer les accessoires électriques dans un centre de réparation autorisé.
- D. Les pièces de rechange ou frais de main-d'œuvre pour les accessoires électriques lorsqu'ils sont utilisés à l'extérieur des 50 États des États-Unis, du district fédéral de Columbia, de Porto Rico et du Canada.

CLAUSE D'EXONÉRATION DE RESPONSABILITÉ AU TITRE DES GARANTIES IMPLICITES; LIMITATION DES RECOURS

LES GARANTIES IMPLICITES, Y COMPRIS DANS LA MESURE APPLICABLE LES GARANTIES DE QUALITÉ MARCHANDE OU D'APTITUDE À UN USAGE PARTICULIER, SONT EXCLUES DANS LA MESURE AUTORISÉE PAR LA LOI. TOUTE GARANTIE IMPLICITE POUVANT ÊTRE IMPOSÉE PAR LA LOI EST LIMITÉE À UN AN OU À LA PLUS COURTE PÉRIODE AUTORISÉE PAR LA LOI. CERTAINES JURIDICTIONS NE PERMETTENT PAS LA LIMITATION DE LA DURÉE DE VALIDITÉ DES GARANTIES IMPLICITES DE QUALITÉ MARCHANDE OU D'APTITUDE À UN USAGE PARTICULIER; PAR CONSÉQUENT, LES LIMITATIONS OU EXCLUSIONS STIPULÉES DANS LES PRÉSENTES PEUVENT NE PAS ÊTRE APPLICABLES.

SI CE PRODUIT NE FONCTIONNE PAS COMME GARANTI, LE SEUL ET UNIQUE RECOURS DU CLIENT CONSISTE À EN OBTENIR LA RÉPARATION OU LE REMPLACEMENT CONFORMÉMENT AUX TERMES DE LA PRÉSENTE GARANTIE LIMITÉE. KITCHENAID ET KITCHENAID CANADA DÉCLINENT TOUTE RESPONSABILITÉ AU TITRE DES DOMMAGES FORTUITS OU INDIRECTS. Cette garantie vous confère des droits juridiques spécifiques et vous pouvez également jouir d'autres droits qui peuvent varier d'un État à l'autre ou d'une province à l'autre.

GARANTIE

GARANTIE DE REMPLACEMENT SANS DIFFICULTÉ POUR LES 50 ÉTATS DES ÉTATS-UNIS, LE DISTRICT DE COLUMBIA ET PORTO RICO

Nous sommes tellement certains que la qualité de nos produits satisfait aux normes exigeantes de KitchenAid que si les accessoires électriques cessent de fonctionner au cours de la première année suivant leur acquisition, KitchenAid livrera gratuitement à votre porte des accessoires électriques de remplacement identiques ou comparables et prendra les dispositions nécessaires pour que les accessoires électriques d'origine nous soient retournés. Les accessoires électriques de remplacement seront également couverts par notre garantie limitée d'un an. Si vos accessoires électriques cessent de fonctionner durant la première année suivant leur

acquisition, il vous suffit d'appeler notre Centre d'eXpérience à la clientèle au **1 800 541-6390**, du lundi au vendredi. Veuillez avoir l'original de votre reçu de vente à portée de main au moment de votre appel. Une preuve d'achat est indispensable pour que votre réclamation puisse être traitée. Il vous faudra fournir votre adresse de livraison complète au représentant (aucune boîte postale).

Après avoir reçu les accessoires électriques de rechange, utiliser le carton, les matériaux d'emballage et l'étiquette d'expédition prépayée pour emballer les accessoires électriques d'origine et les renvoyer à KitchenAid.

GARANTIE DE REMPLACEMENT SANS DIFFICULTÉ POUR LE CANADA

Nous sommes tellement certains que la qualité de nos produits satisfait aux normes exigeantes de KitchenAid que si les accessoires électriques cessent de fonctionner au cours de la première année suivant leur acquisition, KitchenAid livrera gratuitement à votre porte des accessoires électriques de remplacement identiques ou comparables et prendra les dispositions nécessaires pour que les accessoires électriques d'origine nous soient retournés. Les accessoires électriques de remplacement seront également couverts par notre garantie limitée d'un an. Si vos accessoires électriques cessent de fonctionner durant la première année suivant leur acquisition,

il vous suffit d'appeler notre Centre d'eXpérience à la clientèle au **1 800 807-6777**, du lundi au vendredi. Veuillez avoir l'original de votre reçu de vente à portée de main au moment de votre appel. Une preuve d'achat est indispensable pour que votre réclamation puisse être traitée. Il vous faudra fournir votre adresse de livraison complète au représentant.

Après avoir reçu les accessoires électriques de rechange, utiliser le carton, les matériaux d'emballage et l'étiquette d'expédition prépayée pour emballer les accessoires électriques d'origine et les renvoyer à KitchenAid.

GARANTIE

OBTENIR UN DÉPANNAGE UNE FOIS LA GARANTIE EXPIRÉE OU COMMANDER DES ACCESSOIRES ET DES PIÈCES DE RECHANGE

Aux États-Unis et à Porto Rico :

Pour des informations sur le service de dépannage ou pour commander des accessoires ou des pièces de rechange, composer le numéro sans frais **1 800 541-6390** ou écrire à :

Customer eXperience Center,
KitchenAid Small Appliances,
P.O. Box 218, St. Joseph, MI 49085-0218

En dehors des États-Unis et de Porto Rico :

Consulter le revendeur KitchenAid local ou le détaillant auprès duquel les accessoires électriques ont été achetés pour savoir comment obtenir un dépannage.

Pour des informations concernant toute intervention de dépannage au Canada :

Composer sans frais le **1 800 807-6777**.

