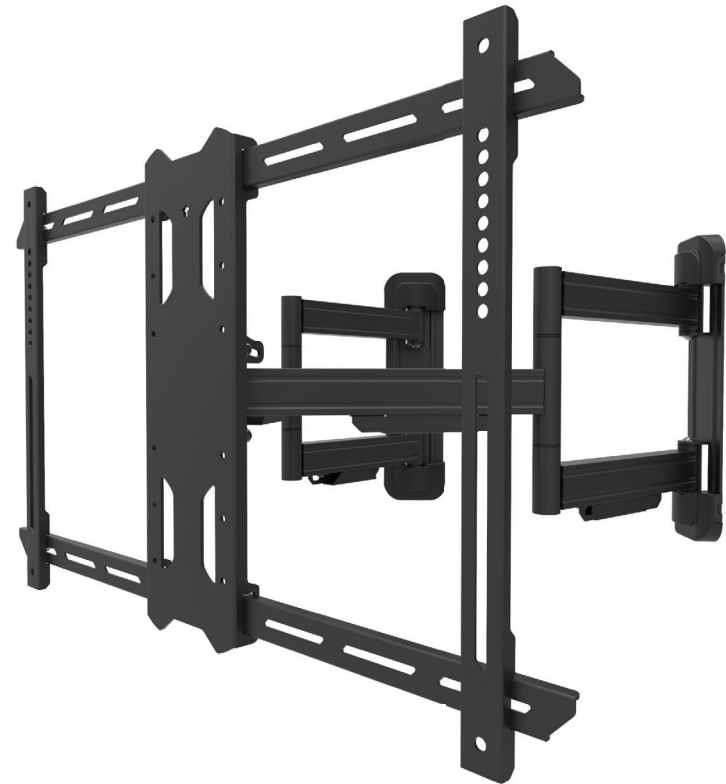


FULL MOTION CORNER MOUNT

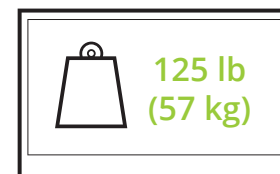
PDC650

The PDC650 TV mount is specifically designed for inner and outer corner installations. Its two independent wall plates can be mounted to adjacent walls, allowing TVs up to 125 pounds to be safely positioned within a corner. Alternatively, turning the wall plates inwards allows for mounting to an outer edge, column or pillar. Depending on screen size and the distance between the wall plates, the articulating arms offer up to 40° of swivel in either direction. Further improve line-of-sight and reduce glare by tilting your TV 15° forward or 3° backward. The PDC650 also includes cable management clips and wall plate covers to ensure a professional looking setup.

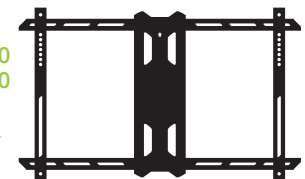


FEATURES & SPECIFICATIONS

- Fits most flat panel TVs from 37" to 70"
- Supports TVs up to 125 lb (57 kg)
- Accommodates VESA sizes from 100x100 to 600x400
- Features dual wall plates for flexible corner installations
- Suitable for inner and outer corners, as well as pillars and columns
- Accessible tilt mechanism provides a +15° to -3° viewing angle
- 40° of swivel in either direction, depending on screen size and location of the wall plates
- Sits 2" (5 cm) from the wall
- Extends up to 21.2" (53.8 cm) from the wall
- Adjustable horizontal leveling
- Integrated cable management
- Solid steel construction with durable powder coated finish
- Includes manual and all mounting hardware for wood stud and concrete installation
- Five year manufacturer's warranty
- Shipping box weight: 27.1 lb (12.3 kg)
- Shipping Box Dimensions: 29.6" x 14.3" x 3.9" (75.3 x 36.3 x 10 cm)
- Product Weight: 23.3 lb (10.6 kg)
- UPC: 800152718767



100 x 100
600 x 400
VESA
COMPLIANT



TECHNICAL ILLUSTRATIONS



SECURE CORNER MOUNTING

Featuring two independent wall plates, the PDC650 allows for TVs weighing up to 125 pounds to be safely mounted to any corner, column or pillar.



PAN AND SWIVEL

Swivel the articulating arms up to 40° in either direction to ensure your TV is properly positioned. Note that the range of movement will depend on the size of your TV and the location of the wall plates.



ANGLED VIEWING

In order to improve line-of-sight with your TV and reduce glare, the VESA compliant TV brackets can be tilted 15° forward and 3° backward.



TIDY SETUP

Cable management clips are provided to conveniently route your cables, while plastic wall plate covers hide any sign of installation.



EVERYTHING YOU NEED

The PDC650 comes with a convenient bolt box containing all the lag bolts, anchors, washers and spacers you'll need to safely mount your TV..

