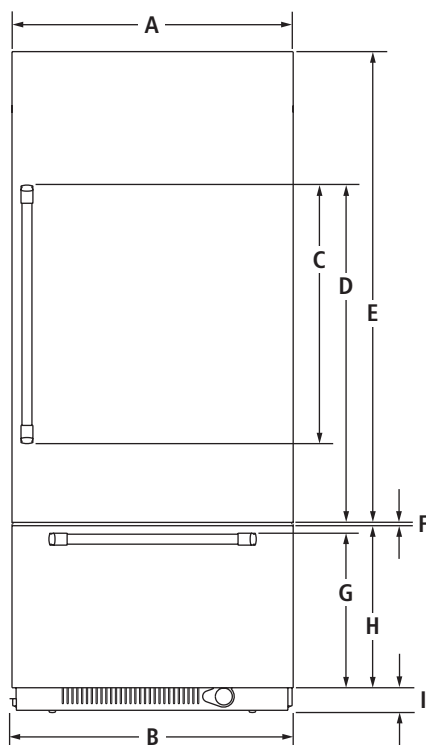


36" FULLY INTEGRATED BOTTOM-FREEZER REFRIGERATORS

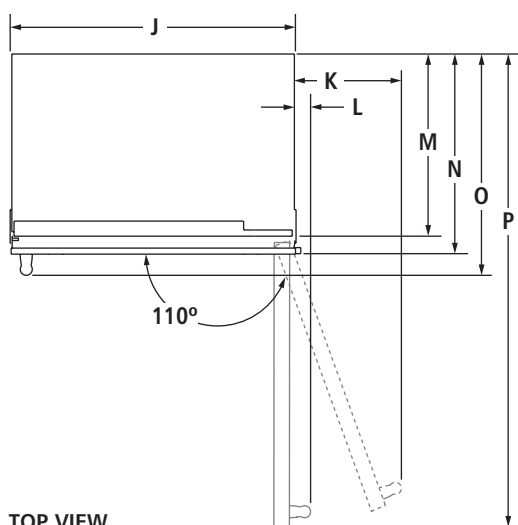
(BASE UNIT REQUIRES SUITE-COORDINATING FULL HEIGHT PANEL KIT OR CUSTOM PANELS AND HANDLES)

JB36NXXFRE, JB36NXXFLE – 35¾" x 82⅞" x 24" (without door/handles)

PRODUCT DIMENSIONS



FRONT VIEW



TOP VIEW

MODEL #	JB36NXXFRE JB36NXXFLE	
	in	cm
A	Width of door	35¾ 90.8
B	Overall width	35¾ 90.8
C	Height of door handle Pro-Style® Stainless	32⅜ 82.2
	Euro-Style Stainless	37⅞ 96.0
D	Height to top of door handle Pro-Style® Stainless	42⅜ 107.6
	Euro-Style Stainless	44⅞ 114.0
E	Height of door	59⅞ 150.2
F	Space between door and drawer	⅞ 0.3
G	Height to top of drawer handle Pro-Style® Stainless	19⅜ 49.2
	Euro-Style Stainless	19¼ 48.7
H	Height of drawer	20½ 52.1
I	Height of bottom grille	3 7.6
J	Width of recessed refrigerator	35 88.9
K	Width from side of refrigerator to handle – door fully open 110° Pro-Style® Stainless	13¼ 33.6
	Euro-Style Stainless	12⅝ 32.1
L	Width from side of refrigerator to handle – door open 90° Pro-Style® Stainless	2 5.1
	Euro-Style Stainless	1½ 3.9
M	Depth without door panel kit	24 61.0
N	Depth with door Pro-Style® Stainless panel kit	24¾ 62.9
	Euro-Style Stainless panel kit	24¾ 62.9
	Custom panel (¾"/1.9 cm)	24¾ 62.9
O	Depth with handle Pro-Style® Stainless	27⅜ 69.5
	Euro-Style Stainless	26⅞ 68.3
P	Depth with door open 90°	58¾ 148.9

IMPORTANT: Dimensional specifications are provided for planning purposes only.

Do not make any cutouts based on this information. Refer to the Installation or Use & Care Guide before selecting cabinetry, verifying electrical/gas connections, making cutouts or beginning installation.

All Jenn-Air® appliances are appropriately UL, CUL or CSA approved.

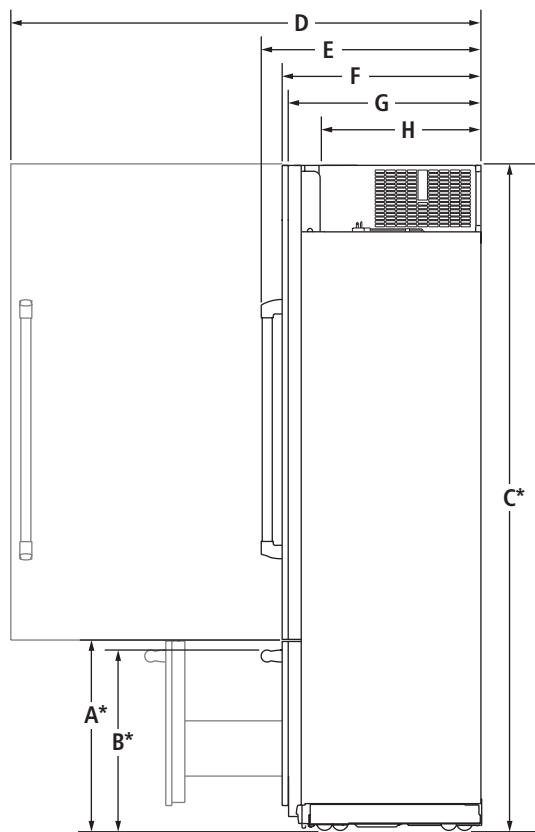


36" FULLY INTEGRATED BOTTOM-FREEZER REFRIGERATORS

(BASE UNIT REQUIRES SUITE-COORDINATING FULL HEIGHT PANEL KIT OR CUSTOM PANELS AND HANDLES)

JB36NXFXRE, JB36NXFXLE – 35¾" x 82⅞" x 24" (without door/handles)

DIMENSIONS AS INSTALLED



SIDE VIEW

MODEL #	JB36NXFXRE JB36NXFXLE	
	in	cm
A*	Height to top of drawer (min.)	23½ 59.7
B*	Height to top of drawer handle (min.)	
	Pro-Style® Stainless	22¾ 56.8
	Euro-Style Stainless	22¼ 56.3
C*	Height to top of door (min.)	82⅞ 210.5
D	Depth with door open 90° (min.)	58⅞ 148.9
E	Depth with handle (min.)	
	Pro-Style® Stainless	27¾ 69.5
	Euro-Style Stainless	26⅞ 68.3
F	Depth with door (min.)	
	Pro-Style® Stainless panel kit	24¾ 62.9
	Euro-Style Stainless panel kit	24¾ 62.9
	Custom panel (¾"/1.9 cm)	24¾ 62.9
G	Depth without door panel kit (min.)	24 61.0
H	Depth of compressor (min.)	19⅞ 50.5

*Add 1¼" (3.2 cm) to the height dimension when leveling legs are fully extended.

IMPORTANT: Dimensional specifications are provided for planning purposes only. Do not make any cutouts based on this information. Refer to the Installation or Use & Care Guide before selecting cabinetry, verifying electrical/gas connections, making cutouts or beginning installation. All Jenn-Air® appliances are appropriately UL, CUL or CSA approved.

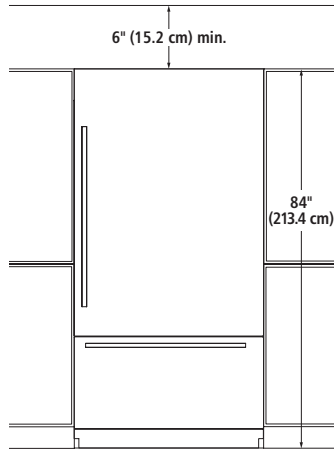
36" FULLY INTEGRATED BOTTOM-FREEZER REFRIGERATORS

(BASE UNIT REQUIRES SUITE-COORDINATING FULL HEIGHT PANEL KIT OR CUSTOM PANELS AND HANDLES)

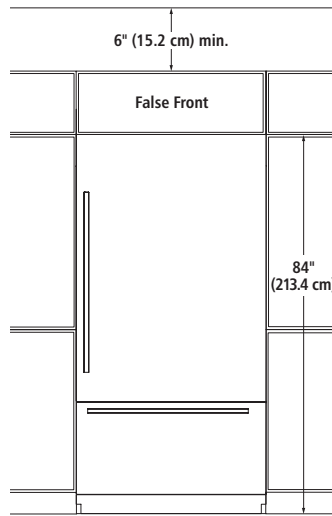
JB36NXFXRE, JB36NXFXLE – 35³/₄" x 82⁷/₈" x 24" (without door/handles)

DOOR PANEL INSTALLATION

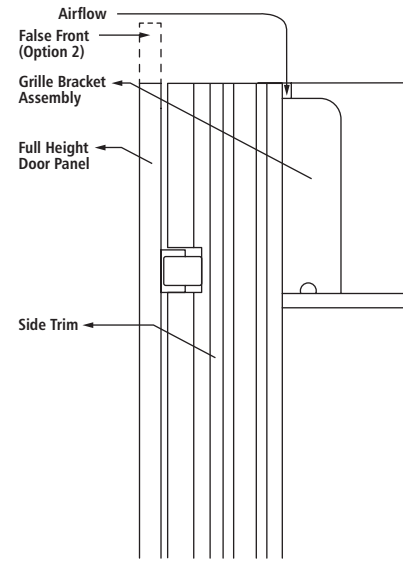
ARMOIRE-STYLE INSTALLATION*



**FRONT VIEW – OPEN TO CEILING
(OPTION 1)**



**FRONT VIEW – FALSE FRONT
(OPTION 2)**



SIDE VIEW – CUSTOM PANEL

- Attach the grille bracket assembly and grille panel provided in the armoire-style panel kit
- Requires a minimum of 6" (15.2 cm) of open space above the refrigerator, which must not be blocked in any way, including soffits

* Refer to the Armoire Kit installation instructions for additional dimensions and installation details.

IMPORTANT: Dimensional specifications are provided for planning purposes only.

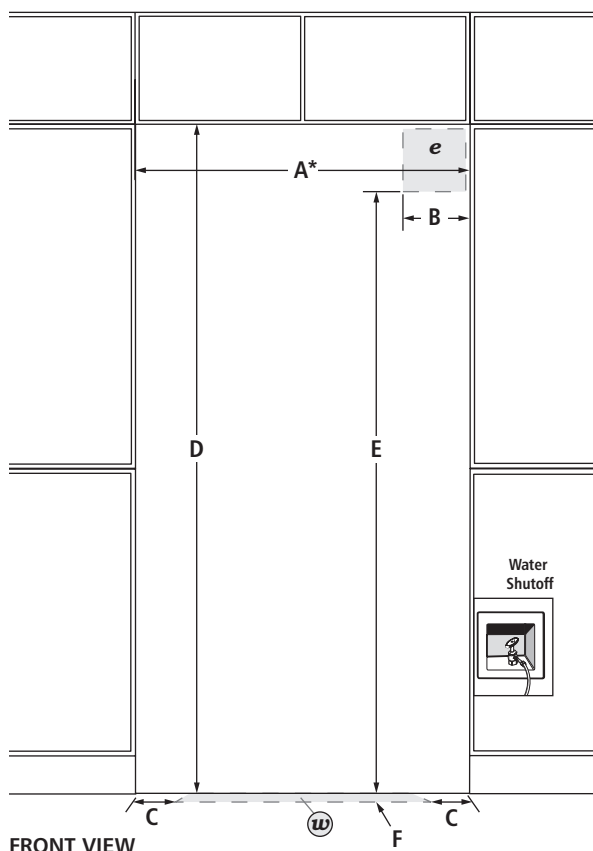
Do not make any cutouts based on this information. Refer to the Installation or Use & Care Guide before selecting cabinetry, verifying electrical/gas connections, making cutouts or beginning installation. All Jenn-Air® appliances are appropriately UL, CUL or CSA approved.

36" FULLY INTEGRATED BOTTOM-FREEZER REFRIGERATORS

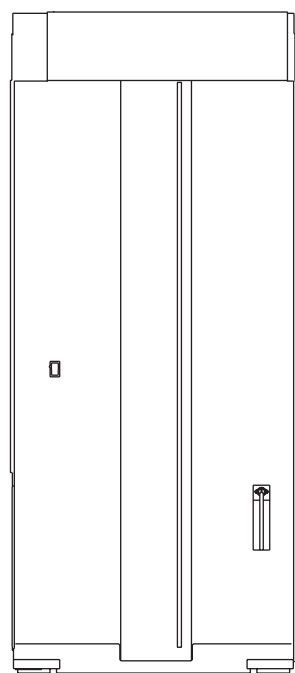
(BASE UNIT REQUIRES SUITE-COORDINATING FULL HEIGHT PANEL KIT OR CUSTOM PANELS AND HANDLES)

JB36NXFXRE, JB36NXFXLE – 35¾" x 82⅞" x 24" (without door/handles)

OPENING/CLEARANCE DIMENSIONS



FRONT VIEW



BACK VIEW

MODEL #	JB36NXFXRE JB36NXFXLE	
	in	cm
A* Width (min.)	36	91.4
B Width of recommended electrical location	4	10.2
C Distance from side of cabinet to recommended water connection location	6	15.2
D Height (min.)	84	213.4
E Height to recommended electrical location	77	195.6
F Depth of recommended water connection location (max.)	1	2.5
e Recommended electrical connection location		
w Recommended water connection location		

*A minimum 2" (5.1 cm) furniture return must extend behind the face of the cabinet on all sides.

ELECTRICAL REQUIREMENTS

115 volt, 60 Hz, AC only, 15- or 20-amp fused, grounded circuit is required. A dedicated circuit is recommended. Use an outlet that cannot be turned off by a switch. Do not use an extension cord.

WATER PRESSURE REQUIREMENTS

A cold water supply with water pressure between 30 and 120 psi (207 and 827 kPa) is required to operate the ice maker. Call a licensed, qualified plumber with any questions about the water pressure.

Reverse Osmosis Water Supply

IMPORTANT: The pressure of the water coming out of a reverse osmosis system going to the water inlet valve of the refrigerator needs to be between 30 and 120 psi (207 and 827 kPa).

If a reverse osmosis water filtration system is connected to the cold water supply, the water pressure to the reverse osmosis system needs to be a minimum of 40 to 60 psi (276 to 414 kPa).

LOCATION REQUIREMENTS

Floor must be able to support refrigerator (more than 600 lb [272 kg]), door panels and contents of the refrigerator and must be at the same level as flooring in the room.

IMPORTANT: Dimensional specifications are provided for planning purposes only. Do not make any cutouts based on this information. Refer to the Installation or Use & Care Guide before selecting cabinetry, verifying electrical/gas connections, making cutouts or beginning installation. All Jenn-Air® appliances are appropriately UL, CUL or CSA approved.