



Stealthbox®

INSTALLATION GUIDE
for the

SB-Y-YXZ1SPKR/MX650

SKU# 94643

2016 & Up Yamaha YXZ1000R

Enclosure Type: Sealed

Driver Type: MX650-CCX-SG-TLD-B

Nominal Impedance: 4 ohms

Continuous Power Handling: 60 watts (RMS method)

! IMPORTANT

If you choose to perform the installation yourself, it is absolutely vital that the Stealthbox® be properly mounted to the vehicle according to these instructions. Failure to mount the enclosure properly presents two problems:

- 1) The sub-bass performance will suffer due to the movement of the enclosure caused by the force exerted by the woofer(s).
- 2) A loose enclosure presents a serious safety hazard in the event of a collision or sudden deceleration.

INSTALLATION
DIFFICULTY:

1 OUT OF **5**

ESTIMATED TIME:
1 HOUR



Thank you for choosing a JL Audio Stealthbox® for your automotive sound system. With proper installation, your new vehicle-specific enclosed subwoofer system will deliver years of listening pleasure.

We strongly recommend that you have your new Stealthbox® installed by your authorized JL Audio dealer. The installation professionals employed by your dealer have the necessary tools and experience to disassemble and reassemble your vehicle properly. If you prefer to perform your own installation, please read this installation guide completely before beginning the process.

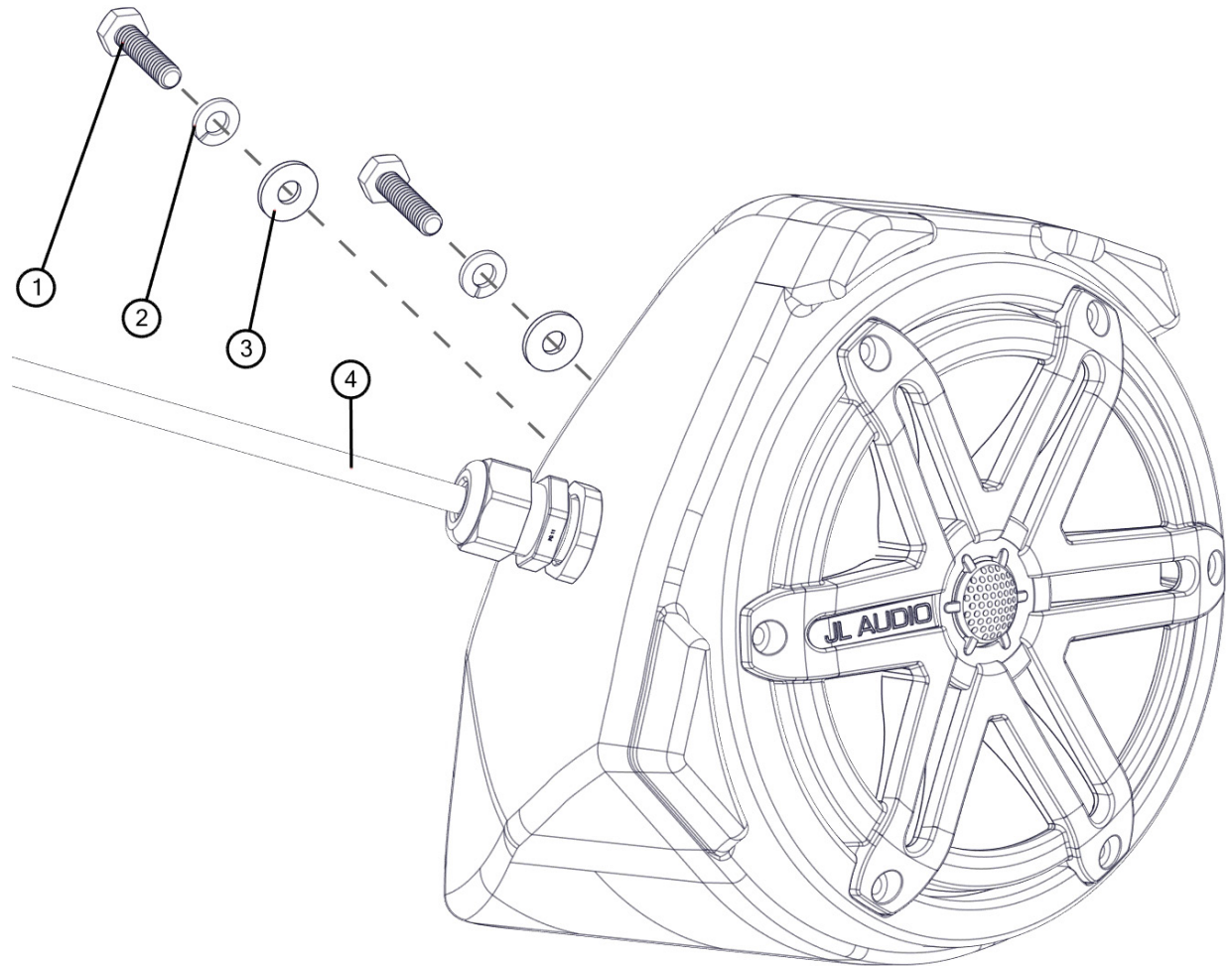
INCLUDED HARDWARE / WIRING INFORMATION

(hardware pictured for one)

BOM ID	Qty	SKU	Description
1	4	153820	1/4 - 20 x 1" Stainless Steel Hex Cap Screw
2	4	153819	1/4" Stainless Steel Split Lock Washer
3	4	153738	1/4" Stainless Steel Flat Washer
4*	1	152414	Wire Harness (10')
-	1	150778	Fuse & Fuse Holder Kit (not shown)
-	1	150249	Foam Tape (not shown)

* Pre-installed on enclosure

Wire Size	Wire Color	Use
16 AWG	Red/Stripe	Speaker Positive (+)
	Black/Stripe	Speaker Negative (-)
20 AWG	Red	Not Used
	Green	Not Used
	Blue	LED Positive (+)
	Yellow	LED Negative (-)



LED Wire Connections

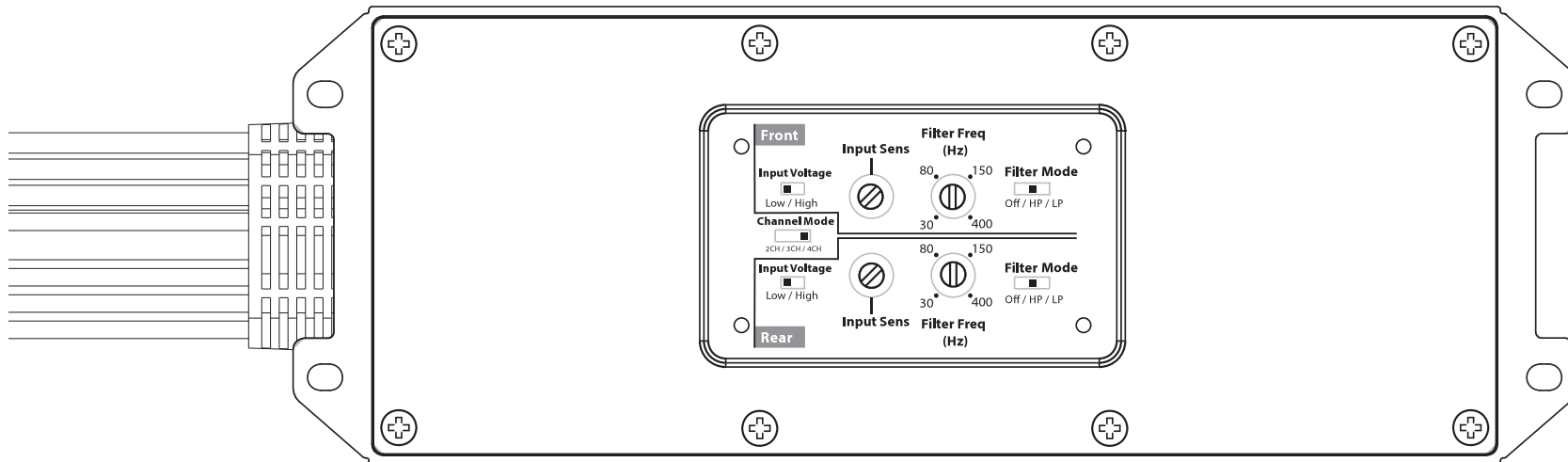
Diagram shows one speaker pair of LED circuits connected in parallel.

- For short-circuit protection, install a supplied fuseholder onto EACH speaker's BLUE (+12V) LED power connection lead.
- Connect all BLUE (+12V) leads together (parallel) and connect to a switched +12V supply. Connect all YELLOW (GRD) leads together and connect to a negative ground or to the NEGATIVE battery post.
- We recommend activating the speakers' LEDs thru a lighting circuit that supplies +12V via an existing switch. If an existing switched circuit is not available, you may install a dedicated toggle/rocker style switch that will supply positive (+12V) power. Fuse this connection according to how many LED circuits you have (LED circuits x 150A).

Note: For optimum performance, JL Audio recommends applying the included Foam Strips (or sound damping material) to surrounding plastic panels to reduce unwanted vibrations.

POWER RECOMMENDATION

JL Audio recommends high quality amplifiers such as the JL Audio MX280/4. The diagram below shows the recommended crossover settings for the MX280/4. For a detailed description of the amplifier settings, consult the owner's manual for the amplifier. If another amplifier is being used, please reference this illustration and use similar settings on that amplifier.



CONNECTIONS

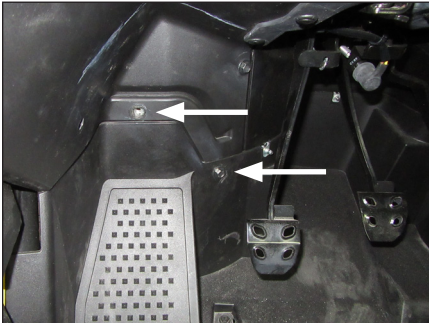
Using quality power, signal, and speaker wire is essential in ensuring the performance of your Stealthbox®. JL Audio recommends using a 4 AWG power kit such as the XD-PCS4-1B for your Stealthbox® amplifier. Other kits are available should you be using more than one amplifier. Signal wire such as the JL Audio Premium Audio Interconnect Cables should be used to provide signal for both channels of the amplifier. JL Audio recommends using 12 AWG speaker wire for subwoofers such as our XC-BCS12-25.



STEP 1

The following steps show the installation procedure for the driver's side only, but the procedure is the same for both sides.

Empty the driver's side of the vehicle.



STEP 2

Remove the two indicated factory bolts.



STEP 3

Cut the Template from **Page 7** of this manual.

Align the hole in the Template to the factory hole in the vehicle, and secure using the factory bolt removed in the previous step. Align the bottom of the Template with the horizontal edge of the plastic panel, and secure with tape, as shown.



STEP 4

Using a 1/8" drill bit, carefully drill through the indicated mark on the Template, through the plastic panel, to the exterior wheel well area.

Remove the factory bolt, and remove the Template.



STEP 5

Using a 1" hole saw, enlarge the hole drilled in the previous step.



STEP 6

From outside the vehicle in the wheel well area, remove the two factory speed clips. These will not be reused.



STEP 7

Pass the speaker cable exiting the speaker enclosure through the hole drilled in **Step 5**.



STEP 8

Position the speaker enclosure flush against the kick panel, allowing the grommet to sit in the drilled hole. Align the threaded inserts in the back of the enclosure with the two factory holes.



STEP 9

Slide a 1/4" Split Lock Washer and a 1/4" Flat Washer over each 1/4 - 20 x 1" Hex Cap Screw.

From the exterior wheel well area, pass an assembly through each of the factory holes, into the threaded inserts in the back of the speaker enclosure, and fully tighten.



STEP 10

Route the cable as necessary. Refer to **Page 2** for wiring information.

Repeat the process for the passenger side.

Note: For optimum performance, we recommend applying the included Foam Strips (or sound damping material) to surrounding plastic panels to reduce unwanted vibrations.

CONGRATULATIONS!

You have completed the installation for this model! Enjoy your new Stealthbox®!



MID/HIGH FREQUENCY DRIVER FITMENT

The SB-Y-YXZ1/10TW3 Stealthbox® subwoofer enclosure is also available for your vehicle. The weatherproof enclosure is designed for a perfect fit and houses a premium JL Audio subwoofer.

SB-Y-YXZ1/10TW3
SKU# 94642



JL AUDIO® | How we play.®    

(954) 443-1100

www.jlaudio.com

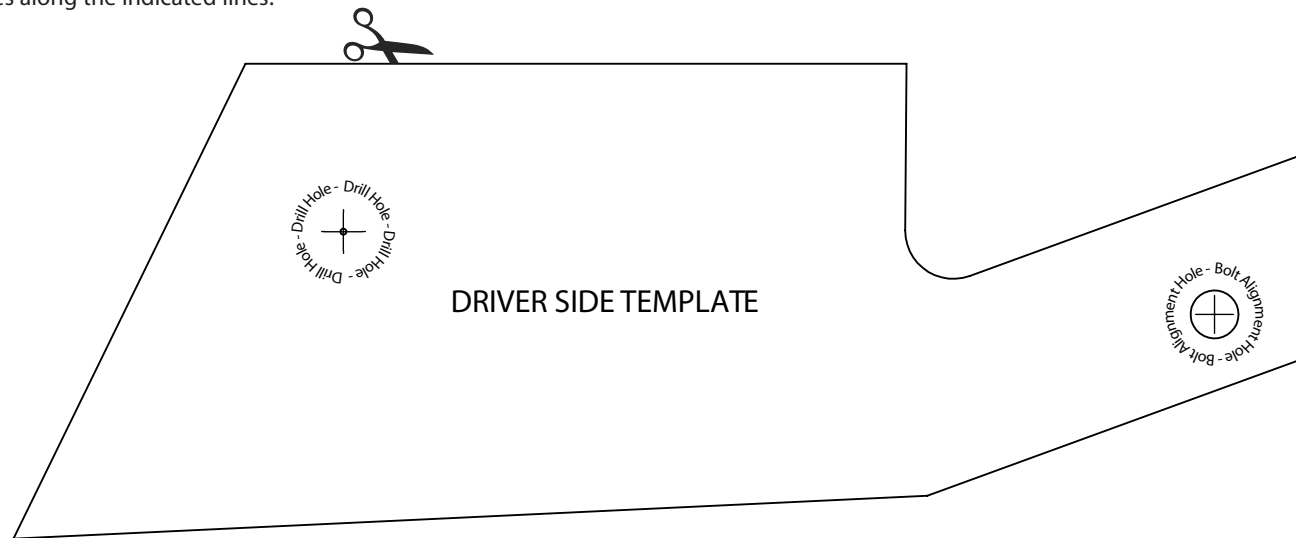
All specifications are subject to change without notice. "JL Audio" and the JL Audio logo, "Stealthbox" and the Stealthbox logo, and "How we play" are registered trademarks of JL Audio, Inc. "Ahead of the Curve" and its respective logo are trademarks of JL Audio, Inc. Printed in USA • ©2017 JL Audio, Inc. • For more detailed information please visit us online at www.jlaudio.com.

JLA-SKU# 011484 • ver. 07.25.2017 • 10369 NORTH COMMERCE PARKWAY • MIRAMAR, FLORIDA • 33025 • USA

This page is intentionally left blank.

TEMPLATES

Carefully cut out the templates along the indicated lines.



IMPORTANT: This file must be printed actual size (100%). Printer output options such as "Fit to Page" and "Shrink Oversized Pages" will distort size and affect accuracy.

