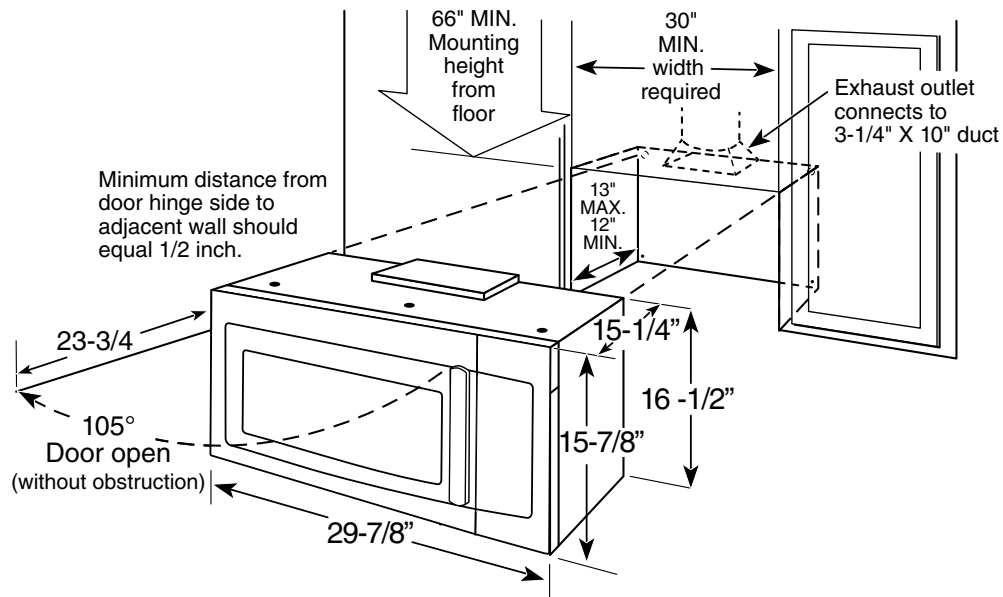


HOTPOINT®

RVM5160DHW/CC/BB – Hotpoint® 1.6 Cu. Ft. Over-the-Range Microwave Oven

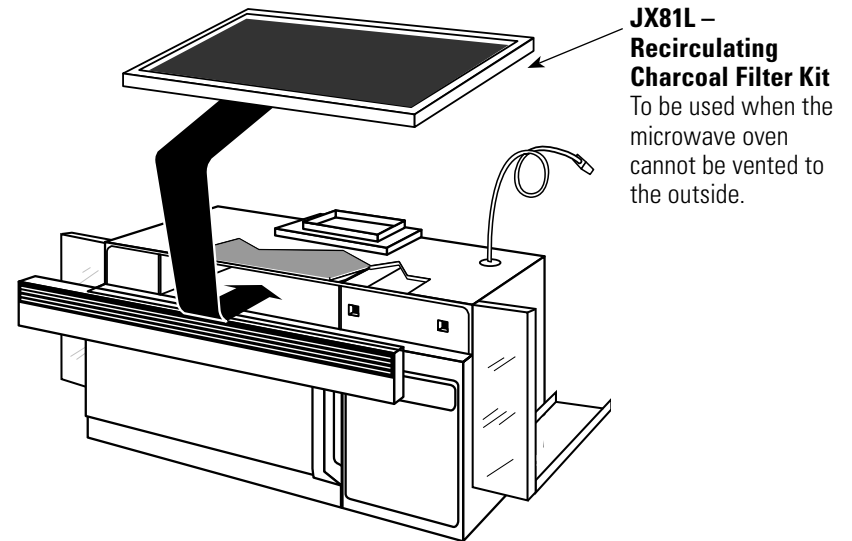
Dimensions (in inches)



Important Information: When installing the microwave oven over a range, allow minimum of 2" from bottom of microwave oven to top of range backguard to allow for removal of light covers.

Installation Information: This information is not intended to be used for installing unit described. Before installing, consult installation instructions packed with product/kit for current dimensional data.

Optional Accessories (Available at additional cost)



Ventilation Options: The microwave oven is designed for adaptation for the following three types of ventilation:

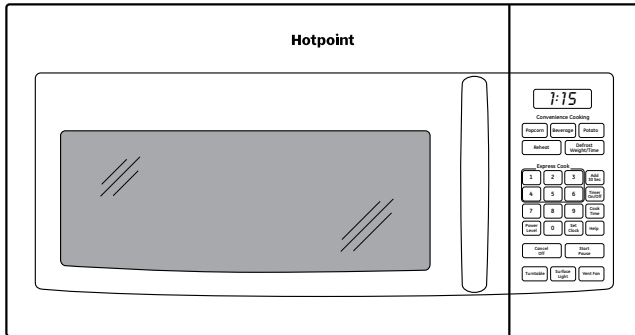
Outside Exhaust (Vertical – Delivered from factory in vertical position)

Outside Exhaust (Horizontal)

Recirculating (Non-vented ductless)

HOTPOINT®

RVM5160DHHW/CC/BB – Hotpoint® 1.6 Cu. Ft. Over-the-Range Microwave Oven



Features and Benefits

- 1.6 cu. ft. capacity - 1000 Watts (IEC-705 test procedure)
- Convenience cooking controls - Operating made quick and easy
- Auto and time defrost - Defrosting times and power levels are programmed automatically or manually for optimal results
- Turntable - Rotates food throughout the cycle
- Two-speed, 200-CFM venting system - Quickly removes smoke and steam from cooktop
- Add 30 seconds - Add 30 seconds of microwave cooking time
- Model RVM5160DHBB – Black
- Model RVM5160DHCC – Bisque
- Model RVM5160DHHW – White