


# ASSEMBLY INSTRUCTIONS

Item#: 638-90907 Montage Mirror

Item#: 638-90902 Montage Dresser

\*\* Please make sure you have all parts indicated below prior to assembly.  
This unit is heavy and can best be assembled with the help of two or more persons.

NO	Hardware List	Q'ty
D	 SCREW	20

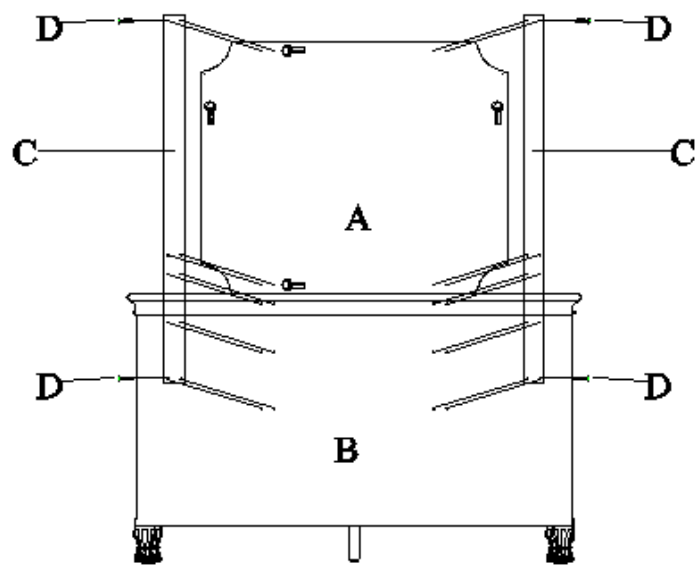
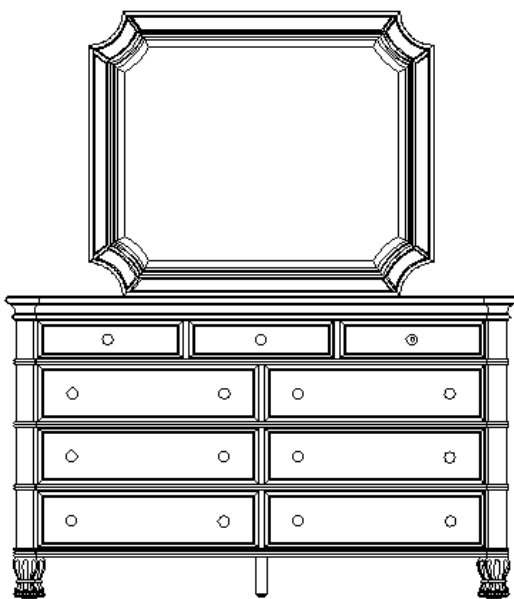


DIAGRAM 1

## Assembly steps:

1. Place the mirror (A) on top of the dresser (B). Be sure to position the mirror in the middle of the top. The back bottom edge of the mirror and the back edge of the top should be flushed.
2. Attach a mending plate (C) at back of mirror and back of dresser. Align holes on mending plate to the pre-drilled holes at the back of dresser and tighten 6pcs of screws (D). Tighten another 4 screws through mending plate to mirror frame with care. (See Diagram 1)
3. Repeat step 2 for another mending plate.

*Cleaning Instruction: Clean finished parts with a damp cloth using a mild dishwashing liquid and water solution. Polish the finish with soft cloth and an industry recognized furniture polish.*