



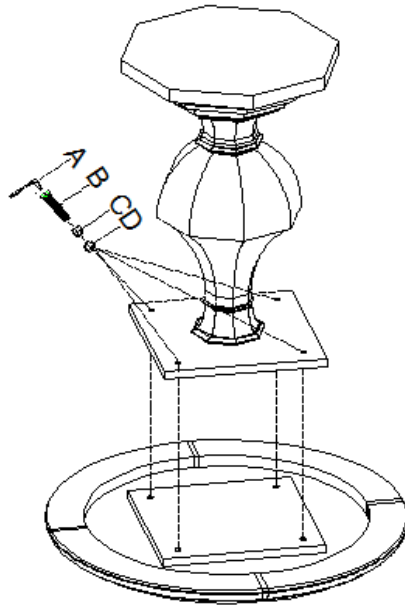
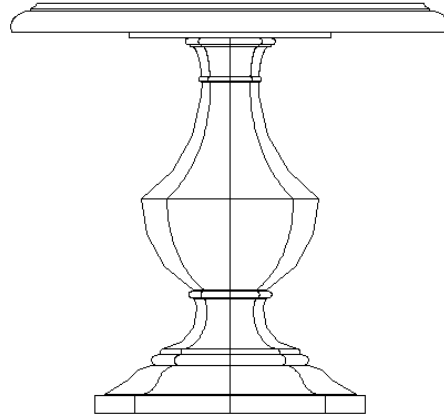


ASSEMBLY INSTRUCTION

Item#: 5402-50001 Round Accent Table

** Please make sure you have all parts indicated below prior to assembly.

NO.	HARDWARE LIST		Q'TY
A		ALLEN WRENCH	1
B		BOLT	4
C		LOCK WASHER	4
D		FLAT WASHER	4



Assembly Steps:

1. Place table top upside down on a soft surface to prevent it from scratching.
2. Attached the table top and base by using bolts (B), lock washers (C) and flat washers (D), tighten with allen wrench (A) in clockwise direction (See above diagram).
3. Turn table upright.

Cleaning Instruction: Clean finished parts with a damp cloth using a mild dishwashing liquid and water solution. Polish the finish with soft cloth and an industry recognized furniture polish.