



**HOOKER**  
— FURNITURE —




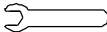
# ASSEMBLY INSTRUCTION

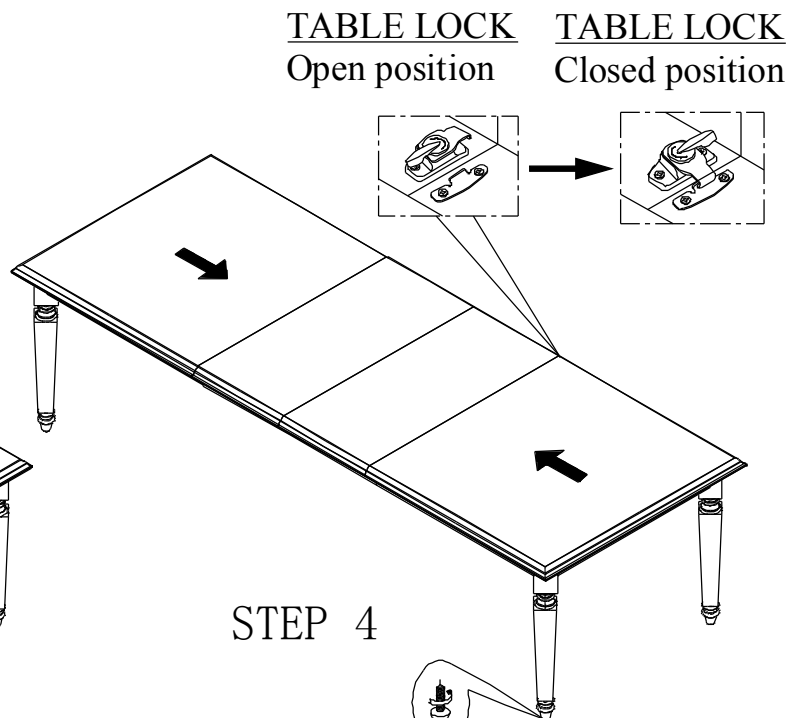
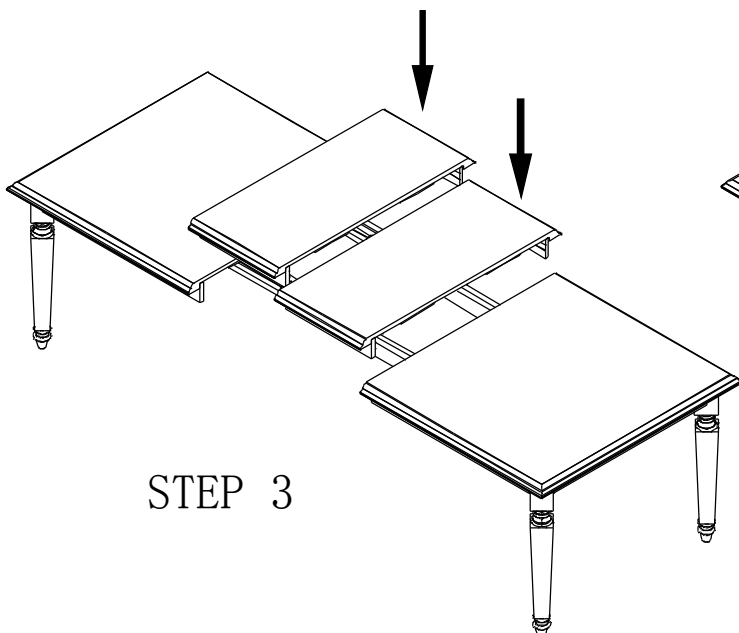
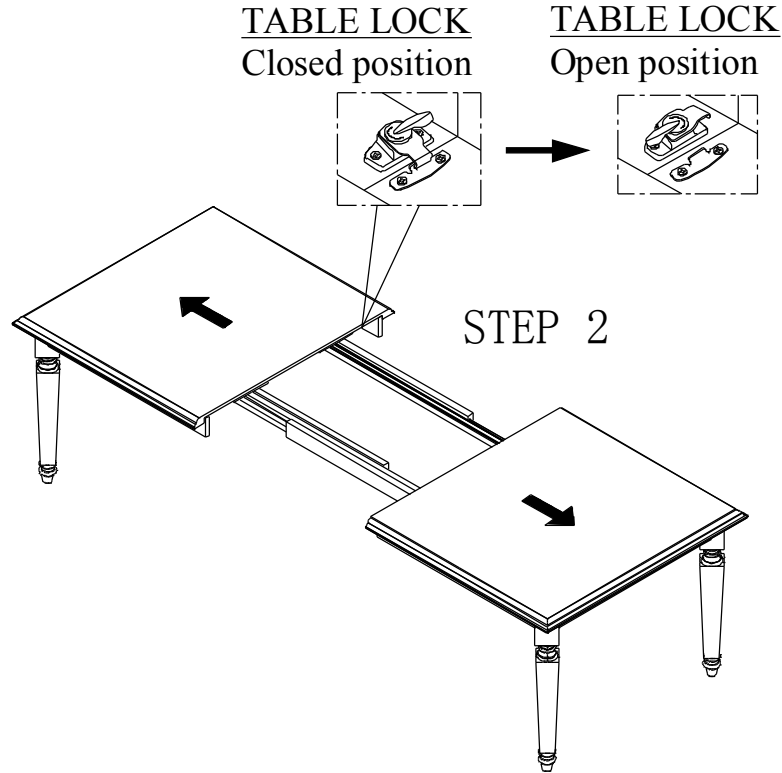
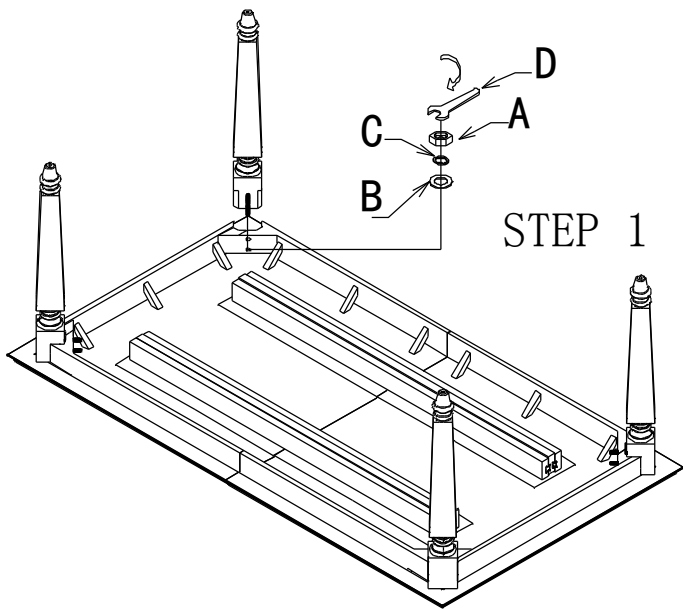
Item: 5323-75200 Rectangle Dining Table w/2-18in Leaf

Thank you for purchasing this quality product. Be sure to unpack carefully looking for small parts which may have come loose during shipment.

Read all instruction and study the drawing carefully before starting the assembly process:

**HARDWARE PACK**

NO	DRAWING	DESCRIPTION	SIZE	Q'ty
A		Nut	5/16" × 12"	8pcs
B		Flat Washer	5/16" × 19*2"	8pcs
C		Lock Washer	5/16" × 12*3"	8pcs
D		Wrench	12mm	1pc



STEP 3

STEP 4

Adjust leveler if needed to level case on uneven floor.

adjustable Leveler