





ASSEMBLY INSTRUCTION

Item#: 5107-75003 BASE (C)
5107-75004 TOP(C)

** Please make sure you have all parts indicated below prior to assembly.
This unit is heavy and can best be assembled with the help of two or more persons.

NO.	ARDWARE LIST		Q'TY
A		ALLEN WRENCH	1
B		BOLT	12
C		LOCK WASHER	12
D		FLAT WASHER	12

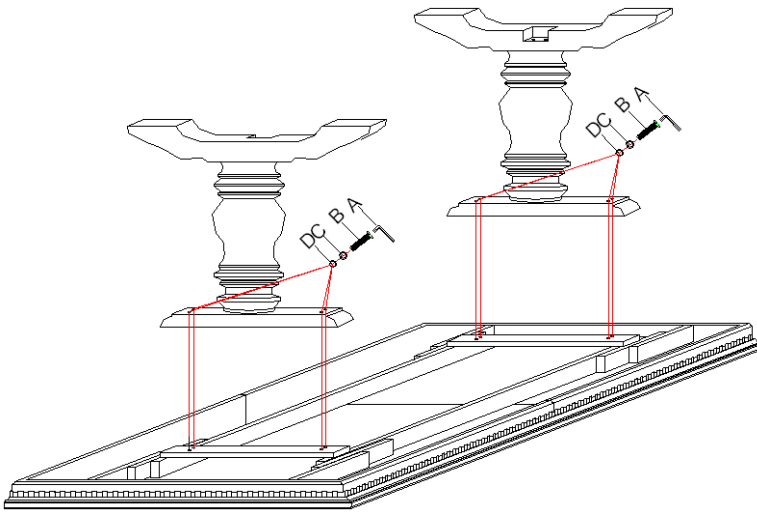
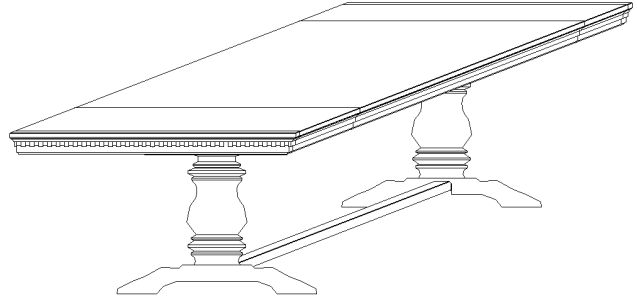


Diagram 1

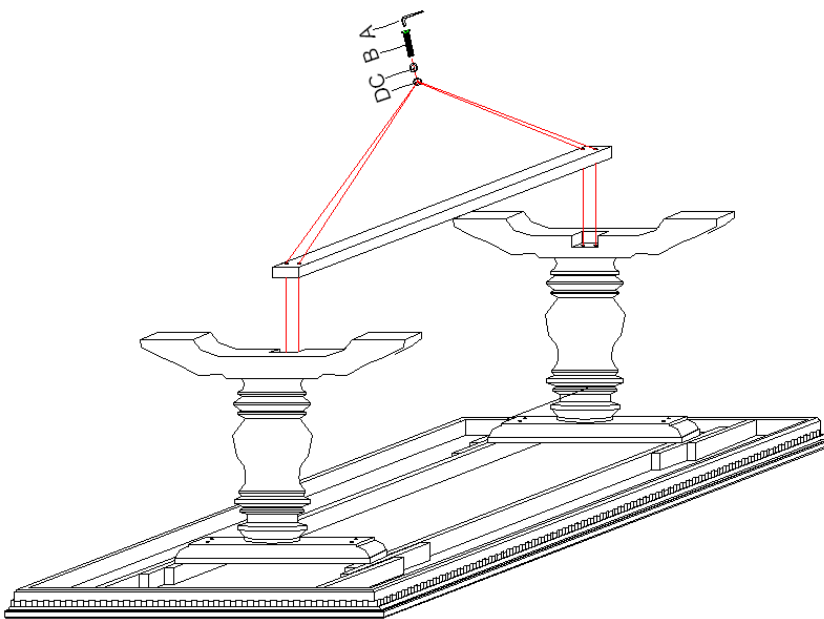


Diagram 2

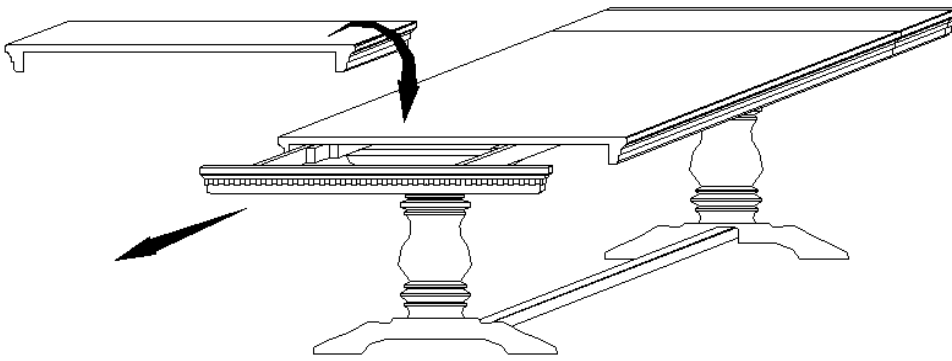


Diagram 3

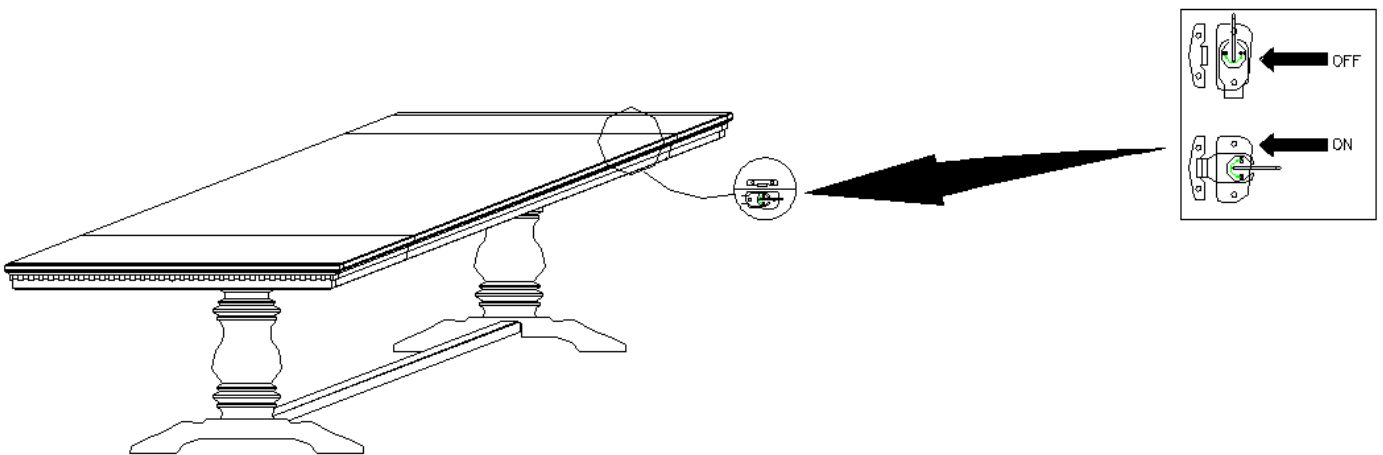


Diagram 4

Assembly Steps:

1. Place table top upside down on a soft surface to prevent from scratching top.
2. Attach one pedestal to the top, using 4 bolts (B), 4 lock washers (C), 4 flat washers (D), secure by turning with Allen Wrench (A) in a clockwise direction. Then attach the other pedestal in the same way. (See diagram 1).
3. Put the stretcher onto two pedestals, using 2 bolts (B), 2 lock washers (C), 2 flat washers (D) on each end, secure by turning with Allen Wrench (A) in a clockwise direction. (See diagram 2).
4. Turn the table top upright.
5. If you want to place the leaves to the table, please pull out the two short ends of table top, place them on it and push them together, turn the switch to "ON" position. (See diagram 3&4).

Cleaning Instruction: Clean finished parts with a damp cloth using a mild dishwashing liquid and water solution. Polish the finish with soft cloth and an industry recognized furniture polish.