









ASSEMBLY INSTRUCTION

Item#: 500-50-828 Round Accent Table

*** Please make sure you have all parts indicated below prior to assembly.

NO	HARDWARE LIST		Q'TY
A		Flat Washer	8
B		Lock Washer	8
C		Bolt	5
D		Allen Wrench	1
E		Nut	3
F		Wrench	1
G		Full Threaded Bolt	3
H		Wood Dowel	3

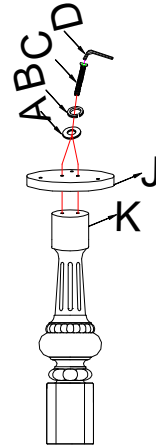
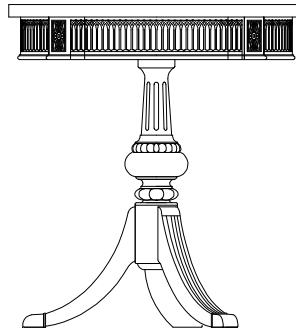


Diagram 1

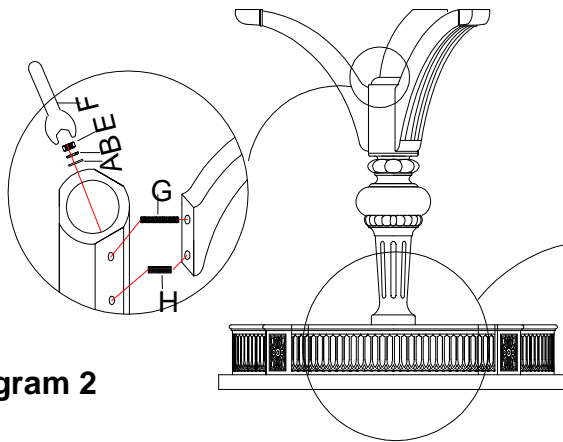


Diagram 2

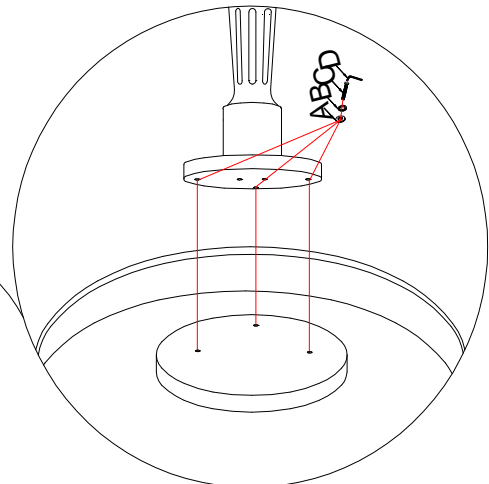


Diagram 3

Assembly steps:

1. Attach the mounting bridge (J) to the post (K) with 2 flat washers (A), 2 lock washers (B) and 2 bolts (C). Tighten all bolts securely with allen wrench (D) (See diagram 1).
2. Insert 3 full threaded bolts (G), 3 wood dowels (H) to legs, assemble legs to post by using 3 flat washers (A), 3 lock washers (B), 3 nuts (E) and turn with wrench (F) in a clockwise direction (see diagram 2).

3. Place table top upside down on a soft surface to prevent from scratching.
4. Align the holes on the top with the one on the mounting bridge, attach with 3 flat washers (A), 3 lock washers (B) and 3 bolts (C). Tighten all bolts securely with allen wrench (D) (See diagram3).

Caution: Do not over tighten.

Cleaning Instruction: Clean finished parts with a mild dishwashing liquid and water solution on a damp cloth. polish the finish with soft cloth and an industry recognized furniture polish.