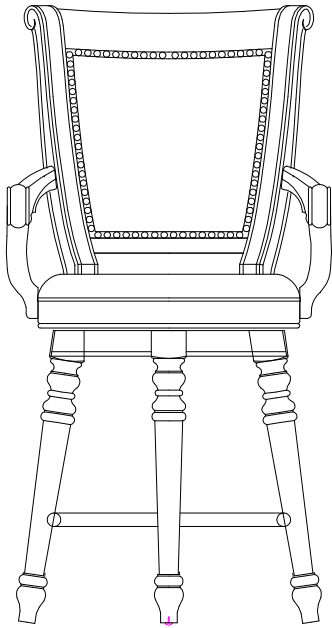






ASSEMBLY INSTRUCTION

Item#: 366-75-550 WAVERLY RETURN MEMORY SWIVEL COUNTER STOOL

*** Caution: Please read all instructions carefully before starting the assembly process.



NO.	HARDWARE LIST		Q'TY
C		ALLEN WRENCH	1
D		BOLT	4
E		LOCK WASHER	4
F		FLAT WASHER	4

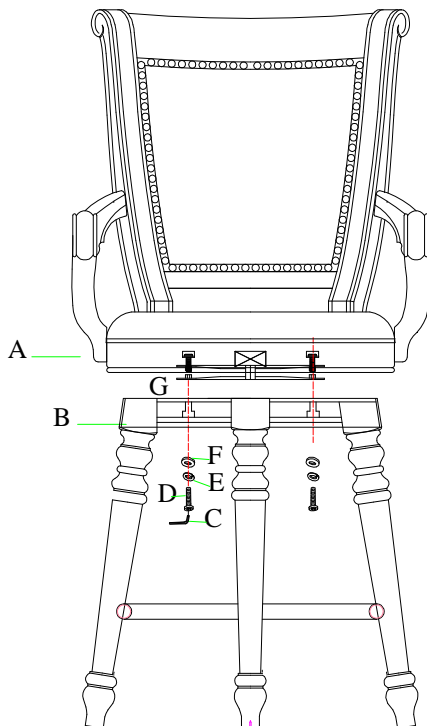


Diagram 1

Step 1. Put the chair top(A) on the chair base(B).

Step 2. Align the holes on the base(B) with the holes on the swivel(G) installed on the bottom of the chair seat. Insert one flat washer(F), one lock washer(E), one bolt (D) for each hole from the bottom. Tighten 4 bolts with Allen wrench(C). (See diagram 1)

Caution: Do not over tighten.

Cleaning Instruction: Clean finished parts with a mild dishwashing liquid and water solution on a damp cloth. Polish the finish with soft cloth and an industry recognized furniture polish.