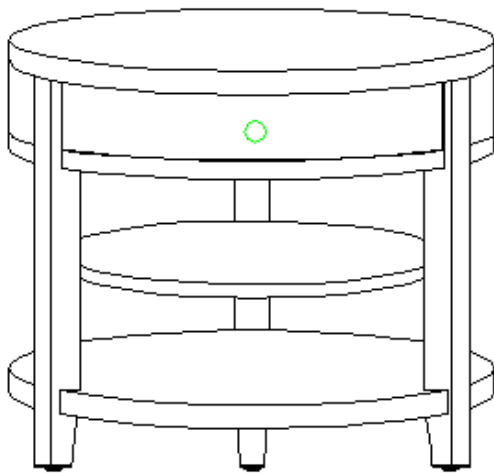


ASSEMBLY INSTRUCTION

Item#:3014-50003 One-Drawer Round Lamp Table-Visage

** Please make sure you have all parts indicated below prior to assembly.



NO	HARDWARE LIST		Q'TY
A		5/16" FLAT WASHER	6
B		5/16" LOCK WASHER	6
C		45mm BOLT	6
D		73mm ALLEN WRENCH	1
E		15mm BOLT	6
F		1/4" LOCK WASHER	6
G		1/4" FLAT WASHER	6
H		69mm ALLEN WRENCH	1
J		SCREW	3
K		SHELF PIN	3
I		METAL PLATE	3

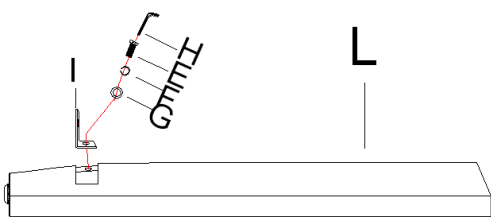


Diagram1

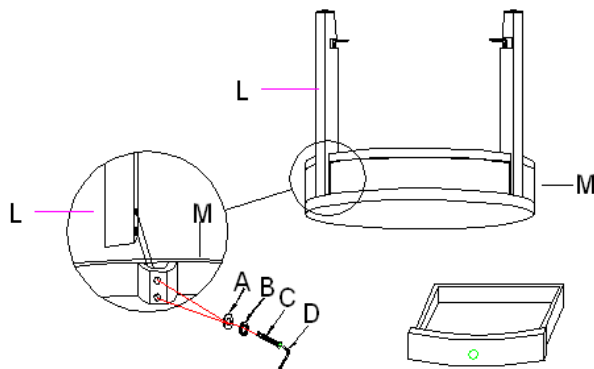


Diagram2

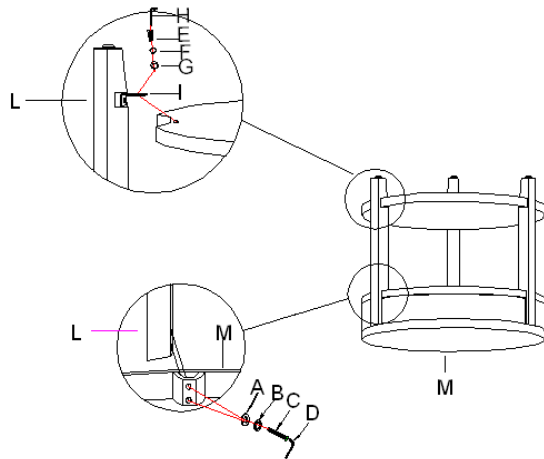


Diagram3

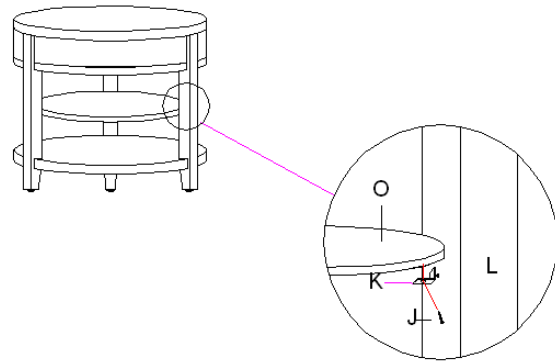


Diagram4

Assembly Steps:

1. Attach metal plate(I) to the posts(L) using bolts (E), lock washers (F), flat washers (G), secure all bolts with allen wrench (H) in a clockwise direction (See Diagram 1).
2. Remove the drawer and place table top upside down on a soft surface to prevent from scratching top.
3. Attach left and right posts(L) to the top(M) using bolts (C), lock washers (B), flat washers (A), secure all with allen wrench (D) in a clockwise direction (See Diagram 2).
4. Attach bottom panel(N) to the posts(L) through metal plate(I) using bolts (E), lock washers (F), flat washers (G), secure all with allen wrench (H) in a clockwise direction (See Diagram 3), then attach the center post(L) to the top according to step 3.
5. Turn the table upright and put the shelf (O) into the table, insert shelf pins(K) into posts and secure shelf pins(K) to the shelf with screws(J) (see Diagram 4).
6. Put the drawer back.

Cleaning Instruction: Clean finished parts with a damp cloth using a mild dishwashing liquid and water solution. Polish the finish with soft cloth and an industry recognized furniture polish.