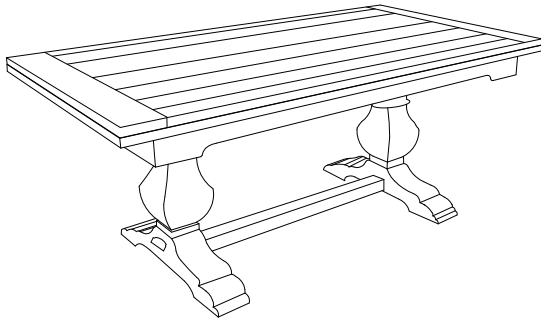


# ASSEMBLY INSTRUCTION

Item#: 3005-75005 Refectory Base-Dune  
3005-75006 Refectory top-Drift

**\*\*\*Please make sure you have all parts indicated below prior to assembly.  
This unit is heavy and can best be assembled with the help of two or more people.**



NO	HARDWARE LIST		Q'TY
D		73*29*5mm ALLEN WRENCH	1
E		50mm BOLT	12
F		LOCK WASHER	12
G		FLAT WASHER	12
H		69*27.2*4mm ALLEN WRENCH	1

Diagram 2

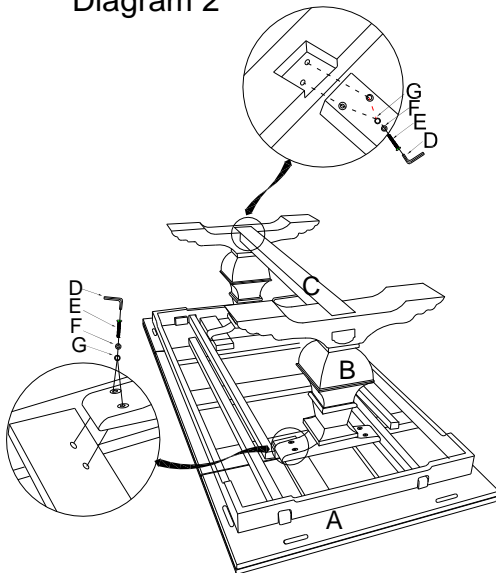


Diagram 1

1. Place the top (A) upside down on a soft surface;
2. Attach the pedestal (B) to the top (A), align holes on the pedestal and the top ,insert 1pc bolt (E) with 1pc lock washer (F) and 1pc flat washer (G) into each hole; Don't tighten them right now.(See diagram 1)
3. Attach the other pedestal in the same way as step 2.
4. Place stretcher(C) onto two pedestals (B);
5. Insert 1pc bolt (E) with lock washer (F) and flat washer (G) into holes in rail (C) and corresponding holes in pedestal (B); (see diagram 2)
6. Tighten the bolts attached to stretcher(C) first with allen wrench (D) .
7. Secure the bolts (E) attached to table top with allen wrench (D);
8. Turn the table upright.

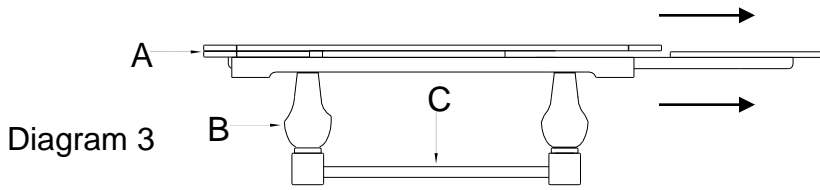


Diagram 3

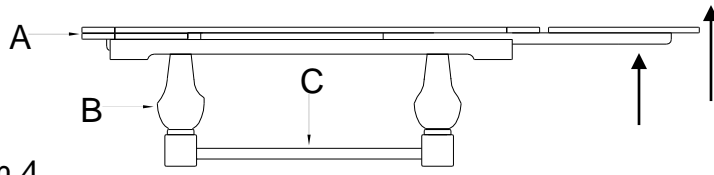


Diagram 4

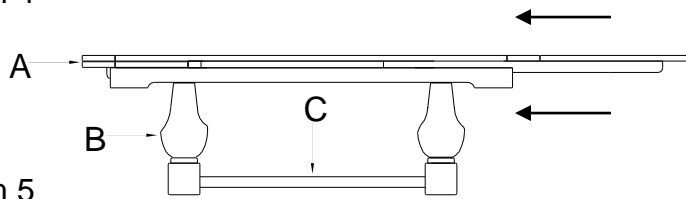


Diagram 5

### Instruction for the leaves:

1. Pull out the leaves as the arrow direction shown in diagram 3.
2. Lift the leaves up and make them 1/2" higher than the center top. (See diagram 4)
3. Push and lay down the leaves as shown in diagram 5.
4. There is a latch under both sides of the leaf, unscrew the button by hand a little and push it to the bottom of top, screw the button tightly.
5. Before you put the leaves under the top, please follow the reverse way of step 4 to pull the latch back first.

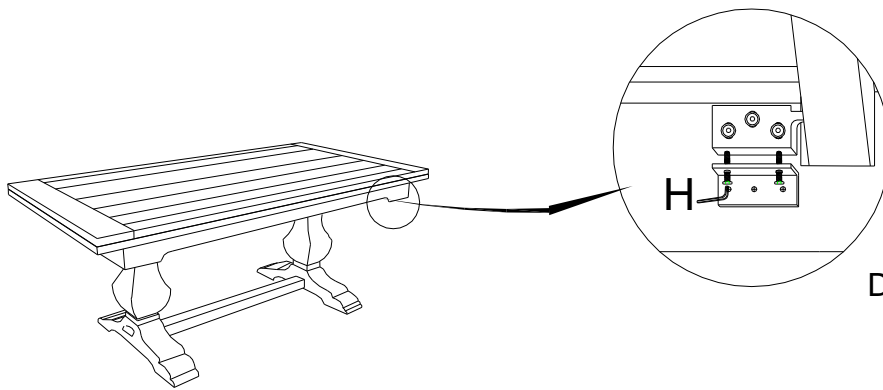


Diagram 6

You will adjust the bolts under the top when the leaves are not keeping level with the top, the steps for adjusting the leaves lower and higher in order to keep it parallel with the top as below (See diagram 6)

1. Loosen all of the bolts at the metal block.
2. Insert allen wrench (H) through the hole on to the head of the bolt on the "L" shaped metal bracket.
3. Turn allen wrench (H) clockwise to raise the metal block, counter clockwise to low it, adjust it to keep the leaves parallel with the top.
4. Tighten all bolts on the metal block.

***Cleaning Instruction: Clean finished parts with a damp cloth using a mild dishwashing liquid and water solution. Polish the finish with soft cloth and an industry recognized furniture polish.***