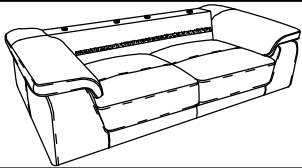
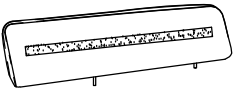
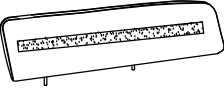
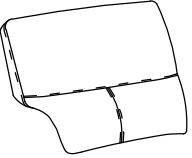
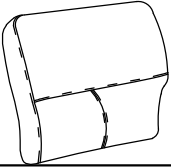
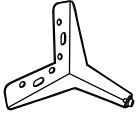





⚠ It is recommended to install protective pads under all legs and supports to avoid damage or scratches when placing furniture on a wood floor or other hard surface, and to limit indentation and prevent discoloration if placing on carpet.

Il est recommandé de placer des coussins protecteurs sous tous les pieds et toutes les bases des meubles pour éviter d'endommager ou d'égratigner les planchers en bois ou autres surfaces dures, et pour limiter l'empreinte et empêcher la décoloration quand les meubles reposent sur la moquette.

PARTS LIST/ LISTE DE PIÈCES

NO	DRAWING	QTY	DESCRIPTION
A		1	SEAT
B		1	LSF BACK REST
C		1	RSF BACK REST
D		1	LSF BACK CUSHION
E		1	RSF BACK CUSHION
F		4	METAL LEG

HARDWARE LIST/ LISTE DE QUINCAILLERIE

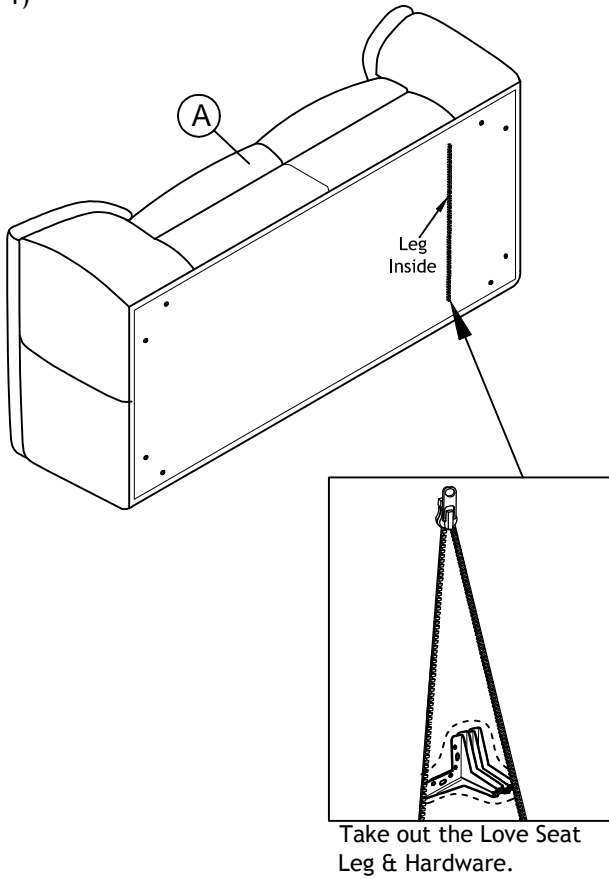
No	Sketch	Qty	Description
1		8 Pcs	JCBC Screw M6 x 25mm
2		8 Pcs	Flat Washer 5/16"
3		1 Pc	M4 Allen Key



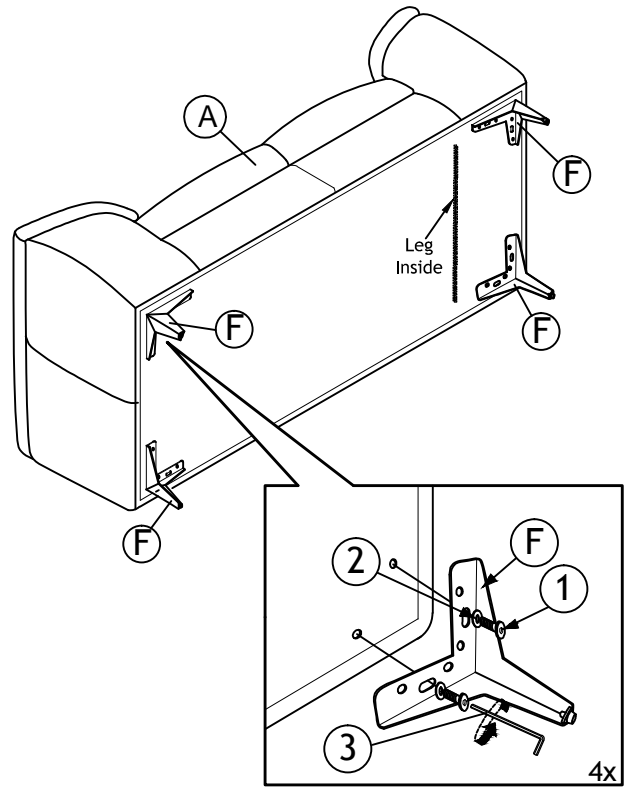
ASSEMBLY INSTRUCTIONS INSTRUCTIONS D'ASSEMBLAGE

ITEM NO.: 9514 SVE/DGY- 2 Love Chair

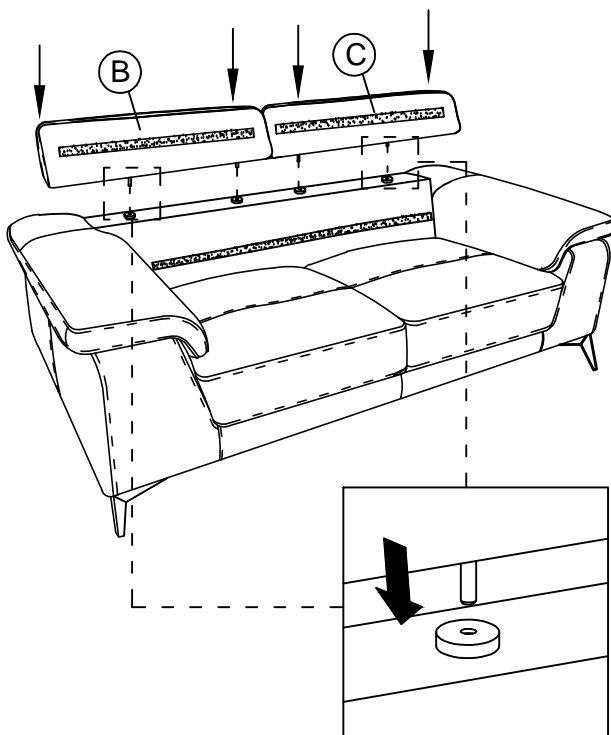
(Step 1)



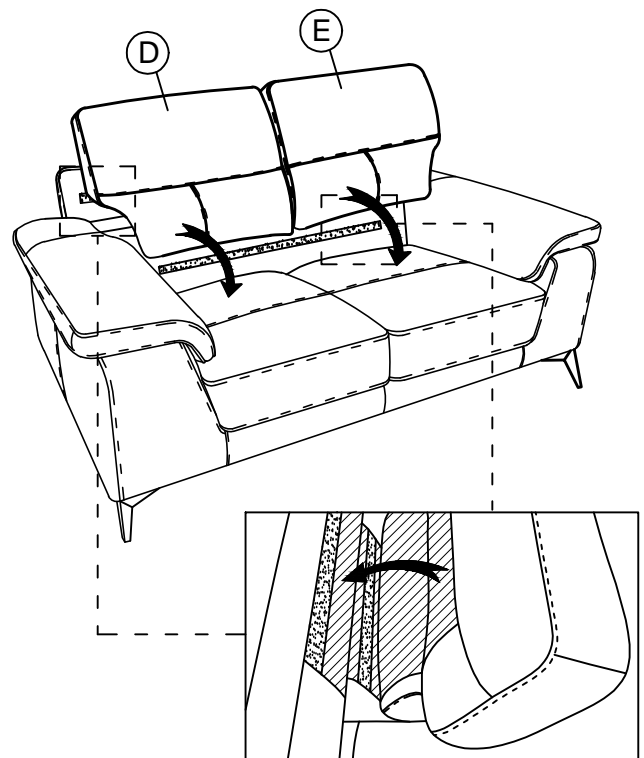
(Step 2)



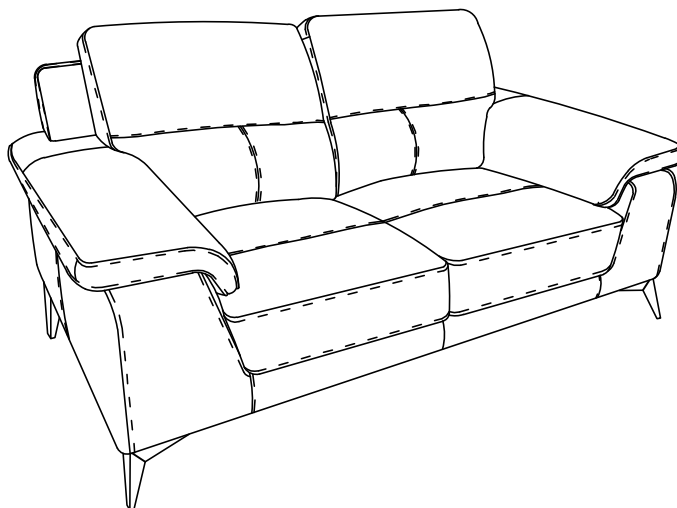
(Step 3)



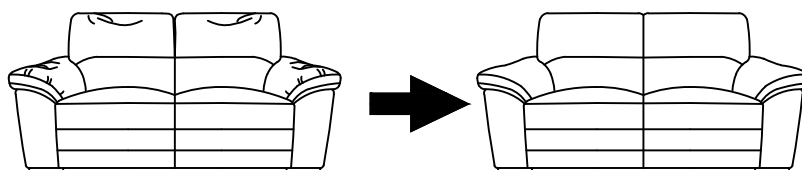
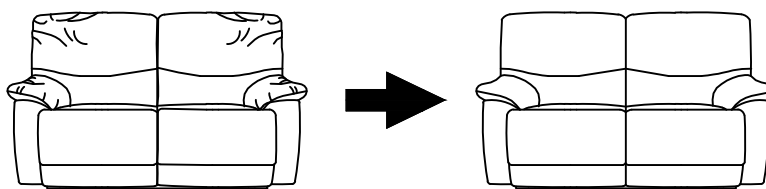
(Step 4)



(Step 5) ASSEMBLY COMPLETED



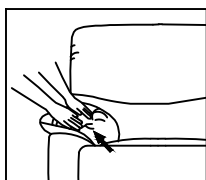
Upholstery Cushion Care



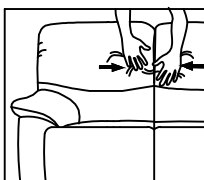
Regular fluffing and flipping to maintain the shape of the product.
Use soft brush to remove dust.



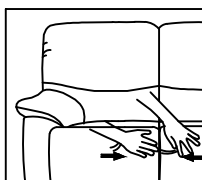
Start from the bottom and move to the top.



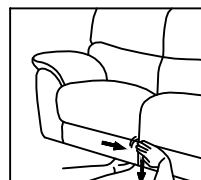
Start center towards to outside border.



Push left & right backrest cushion to centre gently.



Push left & right seat cushion to centre gently.



Fluffing and align to centre.

TOP GRAIN LEATHER MATCH PVC CARE INSTRUCTION.

INSTRUCTIONS POUR LES SOINS DU CUIR ET PVC:

In order to maintain the original appearance of your fabric furniture, please follow below care procedures:

- Avoid exposing furniture directly to sunlight or heating and air conditioning outlets. Sunlight and / or exposure to heating and air conditioning outlets will fade/damage fabric. Do not place your upholstered furniture too close to windows, radiators, vents and be sure to use window treatments to block the sun's rays.

- Wipe with a soft brush to remove dust.