

# BACKLESS SWIVEL STOOL

Date: 06-16-09



- Model # 63454-826 O'shea Wood Backless Swivel Counter Stool
- Model # 63454-830 O'shea Wood Backless Swivel Bar Stool
- Model # 63455-826 Malone Wood Backless Swivel Counter Stool
- Model # 63455-830 Malone Wood Backless Swivel Bar Stool
- Model # 63452-826 Brendan Wood Backless Swivel Counter Stool
- Model # 63452-830 Brendan Wood Backless Swivel Bar Stool

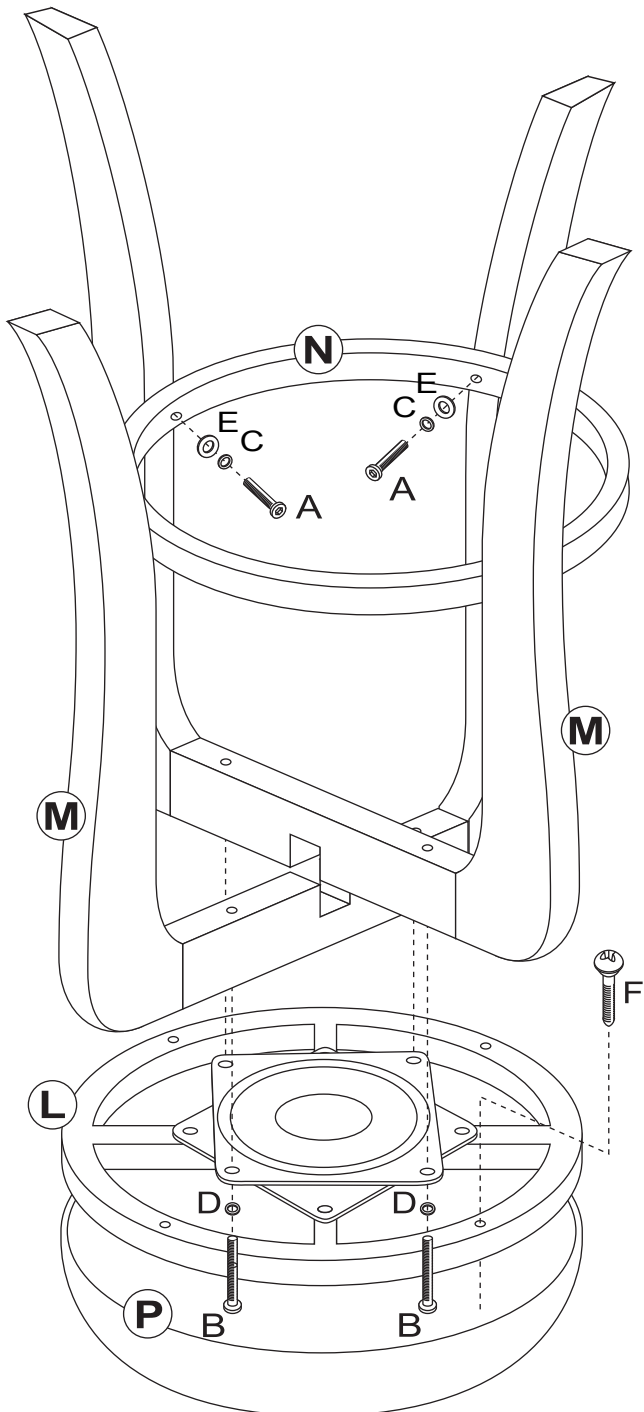
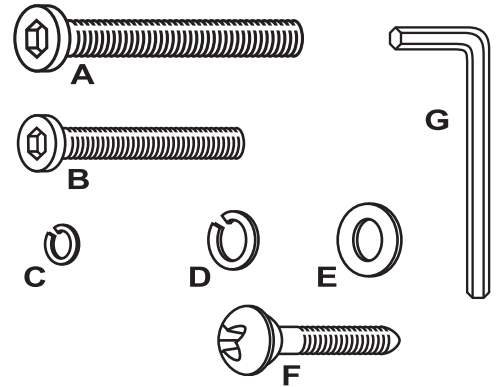
Examine all packaging material for small parts that may have come loose during shipment. Periodic checks are recommended to insure that all components are in proper position, tight and free from damage. Keep this assembly instruction for future reference. Adult assembly is required. Customer Service Phone Number: 502-562-0000

## HARDWARE LIST

- A (4) Long Allen Bolts - M6 X 40mm
- B (4) Short Allen Bolts - M6 X 35mm
- C (4) Small Spring Washers - 1/4"
- D (4) Large Spring Washers - 5/16"
- E (4) Flat Washers - M6 x 13mm
- F (4) Wood Screws - 1 1/4"
- G (1) Small Allen Wrench

## PARTS LIST

- L (1) Seat Base
- M (2) Leg Panels
- N (1) Support Ring
- P (1) Seat Cushion



### STEP 1

Begin the assembly by attaching each Leg Panel (M) together by sliding each into place. During assembly, secure the Support ring (N) to the inside leg using 1 Long Allen Bolt (A), 1 Small Spring Washer (C) & 1 Flat Washer (E) per each leg. Tighten all bolts

### STEP 2

Attach the top Leg Panel (M) to the Swivel Metal Plate using 4 Medium Allen Bolts (B) & 4 Large Spring Washers (D) to secure in place. Tighten all bolts.

### STEP 3

Finally, attach the Seat Cushion (P) to the top of the Seat Base (L) using 4 Wood Screws (F) from the bottom. Only tighten screws using a philips head screwdriver (not included). The assembly is now complete.

**CARE & MAINTENANCE:** The touch of a soft cloth is all the maintenance the finish will ever need. Please do not use harsh or abrasive cleaners for polishing, as they may cause damage to the finish. Periodic checks are recommended to make sure that all bolts, screws and nuts are securely tightened.