

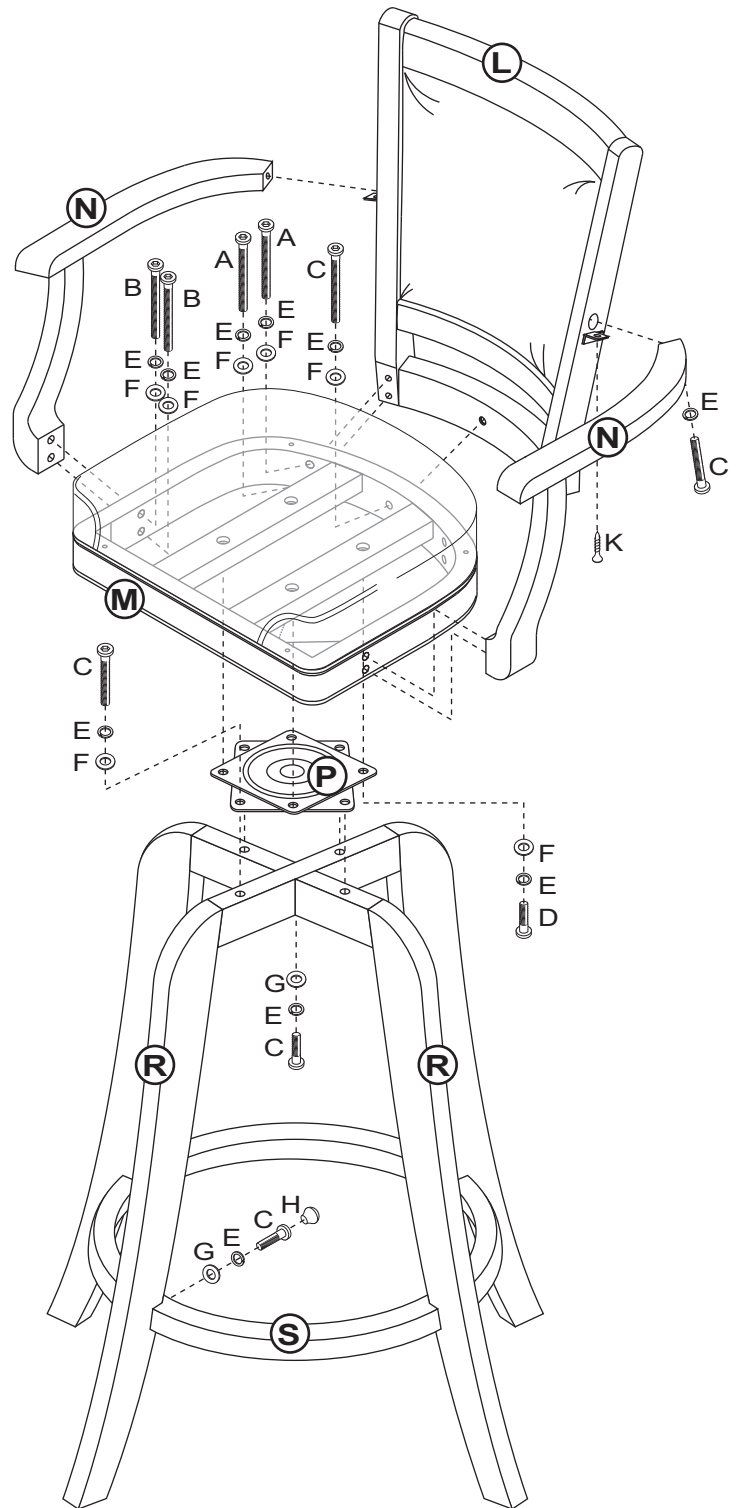
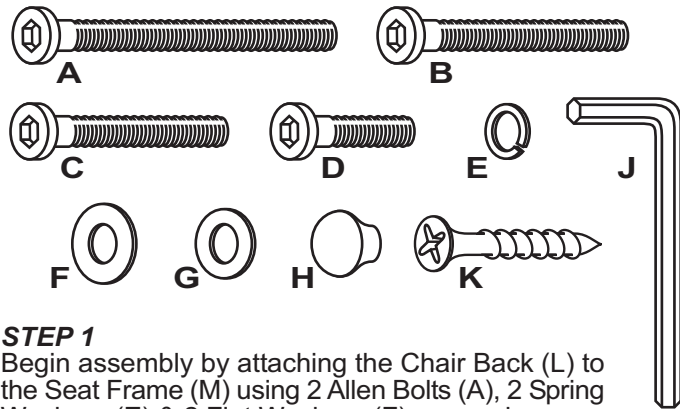
Examine all packaging material for small parts that may have come loose during shipment. Periodic checks are recommended to insure that all components are in proper position, tight and free from damage. Keep this assembly instruction for future reference. Adult assembly is required. Customer Service Phone Number: 502-562-0000

**HARDWARE LIST**

- A (4) Allen Bolts 1/4" x 2-3/4"
- B (4) Allen Bolts 1/4" x 2"
- C (12) Allen Bolts 1/4" x 1-1/2"
- D (4) Allen Bolts 1/4" x 1"
- E (24) Spring Washers
- F (17) Flat Washers 19mm
- G (5) Flat Washers 16mm
- H (4) Plastic Caps
- J (1) Allen Wrench
- K (2) Wood Screws 3/4"

**PARTS LIST**

- L (1) Chair Back
- M (1) Seat Frame
- N (2) Side Arms
- P (1) Swivel Plate
- R (2) Leg Panels
- S (1) Support Ring



**STEP 1**

Begin assembly by attaching the Chair Back (L) to the Seat Frame (M) using 2 Allen Bolts (A), 2 Spring Washers (E) & 2 Flat Washers (F) per each corner from the bottom, and 1 Allen Bolt (C), 1 Spring Washer (E) & 1 Flat Washer (F) in the center from the bottom. Tighten all bolts using the Allen Wrench (J) that has been provided.

**STEP 2**

Next attach each Side Arm (N) to each side of the Seat Frame (M) by aligning the holes and securing each from the bottom with 2 Allen Bolts (B), 2 Spring Washers (E) & 2 Flat Washers (F) per each arm. Do not fully tighten bolts.

**STEP 3**

Finish securing each Side Arm (N) to the Chair Back (L) by aligning holes and securing at the metal bracket with 1 Wood Screw (K) per each side, and from the bottom of the arm using 1 Allen Bolt (C) & 1 Spring Washer (E). Tighten all bolts from Steps 1 through 3.

**STEP 4**

Next attach each Leg Panel (R) together by fitting in place and securing from the bottom with 1 Allen Bolt (C), 1 Spring Washer (E) & 1 Flat Washer (G) from the bottom. Next attach the Support Ring (S) to the inside of each leg with 1 Allen Bolt (C), 1 Spring Washer (E) & 1 Flat Washer (G). Tighten all bolts. Once in place, insert each Plastic Cap (H) to cover bolt heads.

**STEP 5**

Attach the Swivel Metal Plate (P) to the top of the Leg Panels (R) with 4 Allen Bolts (C), 4 Spring Washers (E) & 4 Flat Washers (F) to secure in place.

**STEP 6**

Finally attach the Stool Base (now assembled) to the Stool Top (now assembled) by attaching the Swivel Metal Plate (P) to the bottom of the Seat Frame (M) by aligning holes and securing with 4 Allen Bolts (D), 4 Spring Washers (E) & 4 Flat Washers (F) to secure in place. Tighten all bolts. The assembly is now complete.

**CARE & MAINTENANCE:** The touch of a soft cloth is all the maintenance the finish will ever need. Please do not use harsh or abrasive cleaners for polishing, as they may cause damage to the finish. Periodic checks are recommended to make sure that all bolts, screws and nuts are securely tightened.