






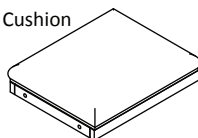
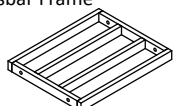
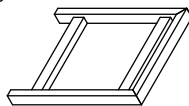
# Amelia Wood Non-Swivel Vanity Stool

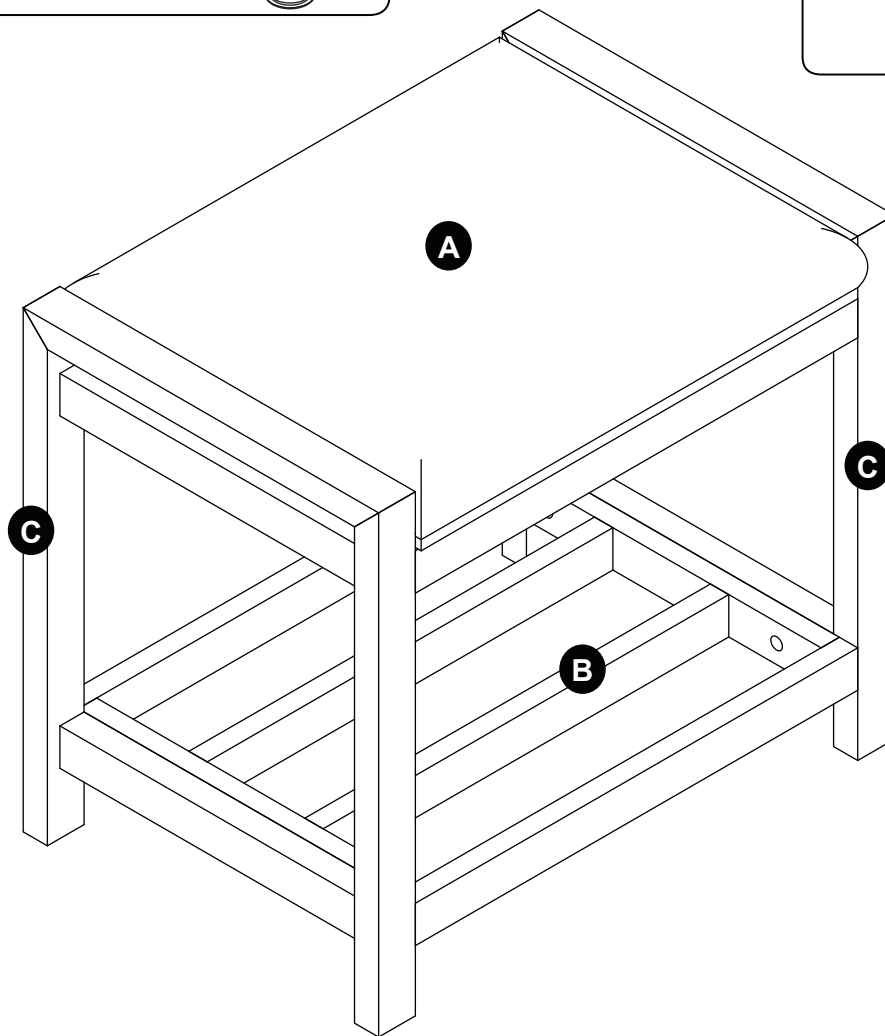
Model #103803-115121 (51031)

Model #103803-130681 (51077)

Examine all packaging material for small parts that may have come loose during shipment. Periodic checks are recommended to insure that all components are in proper position, tight and free from damage. Keep this assembly instruction for future reference. Adult assembly is required. The product of Hillsdale Furniture, LLC is designed for residential use only. Customer Service Phone Number: 502-562-0000

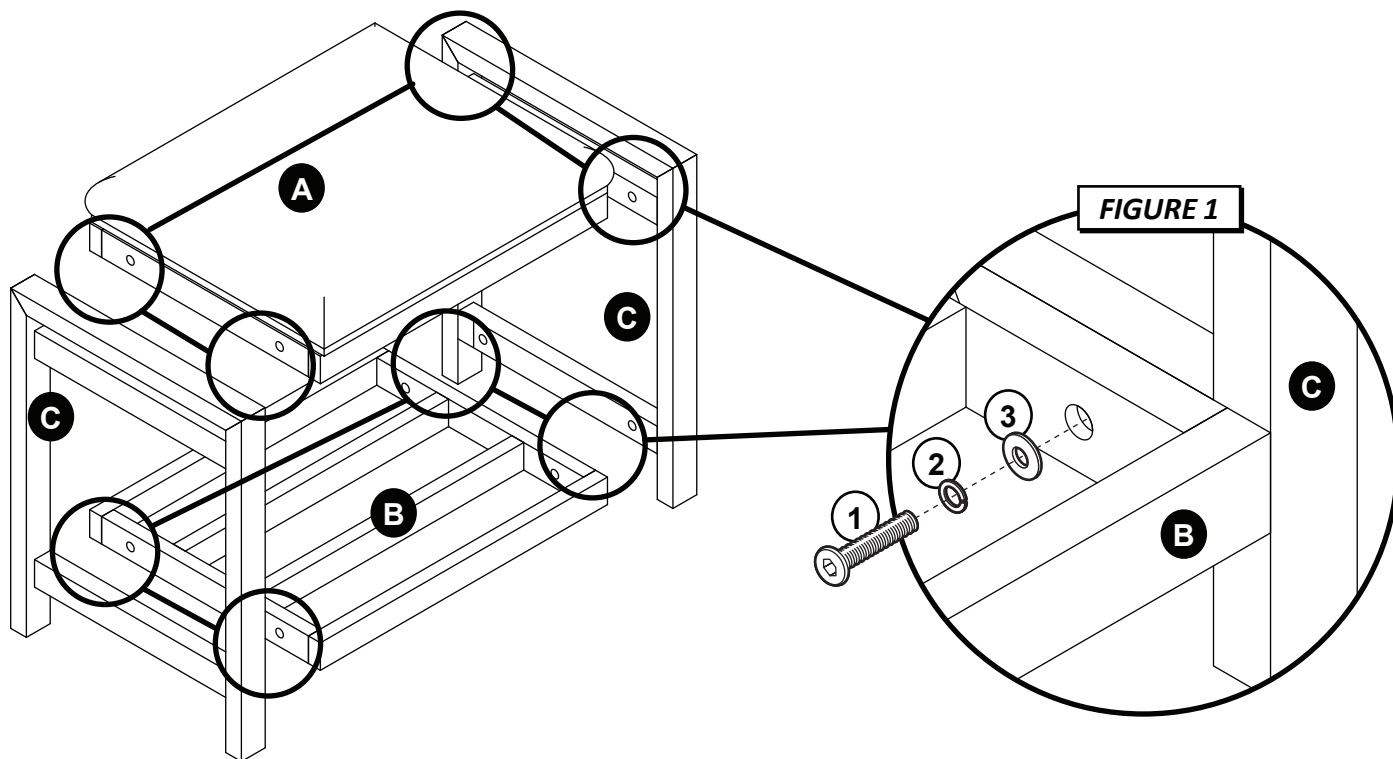
CODE	QTY	HARDWARE	
1	8	Ø1/4"x35mm Allen Bolts	
2	8	Ø1/4" Spring Washers	
3	8	Ø1/4"x16x1.5mm Flat Washers	
4	1	4mm Allen Wrench	
5	4	Bolt Cover	

CODE	QTY	COMPONENTS	CODE	QTY	COMPONENTS
A	1	Cushion 	B	1	Crossbar Frame 
			C	2	Leg Frames 



## WARNING

- Do not let any sharp objects touch or rub the surface of the product.
- When assembling, do not let children play around the working area.
- Please confirm all parts are correct before starting the assembly process.
- Do not tighten all bolts and screws completely until the entire unit has been assembled and set up.
- Be careful if using power tools as they can over tighten screws and strip threads.



**STEP 1 - Figure 1**

Begin assembly by attaching Leg Frames (C) to Cushion (A) and Crossbar Frame (B) by using Allen Bolts (1), Spring Washers (2) and Flat Washers (3). Tighten bolts using Allen Wrench (4) provided.

**STEP 2 - Figure 2**

Cover spaces over bolts on Crossbar Frame (B) with Bolt Covers (5). The assembly is now complete.

