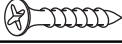
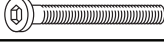



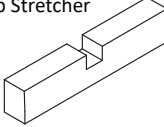
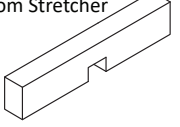
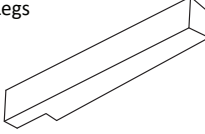
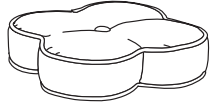
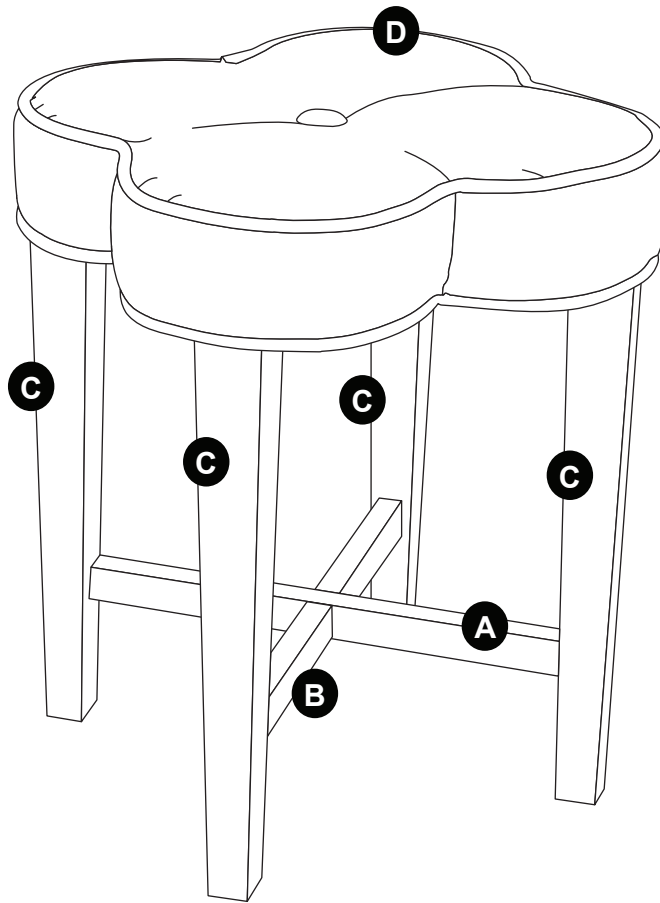


Examine all packaging material for small parts that may have come loose during shipment. Periodic checks are recommended to insure that all components are in proper position, tight and free from damage. Keep this assembly instruction for future reference. Adult assembly is required. The product of Hillsdale Furniture, LLC is designed for residential use only. Customer Service Phone Number: 502-562-0000

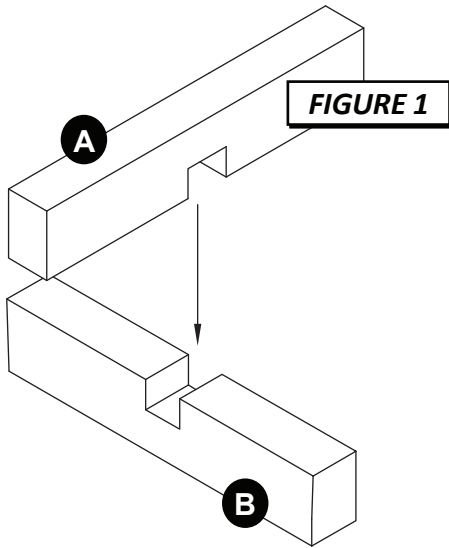
CODE	QTY	HARDWARE
1	4	Screws 
2	8	Bolts 
3	8	Flat Washers 
4	8	Spring Washers 
5	1	Allen Wrench 

CODE	QTY	COMPONENTS	CODE	QTY	COMPONENTS
A	1	Top Stretcher 	B	1	Bottom Stretcher 
C	4	Legs 	D	1	Seat Cushion 



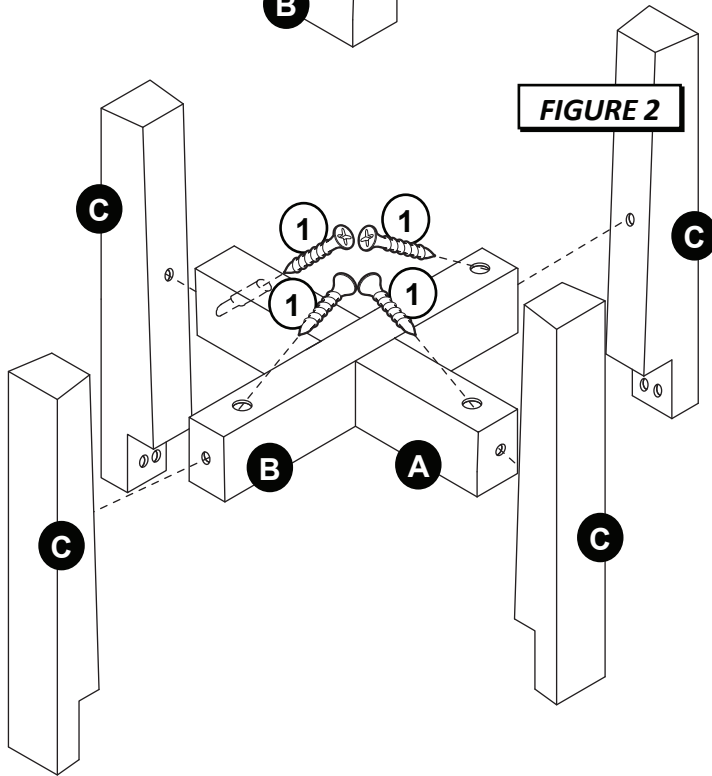
WARNING

- Do not let any sharp objects touch or rub the surface of the product.
- When assembling, do not let children play around the working area.
- Please confirm all parts are correct before starting the assembly process.
- Do not tighten all bolts and screws completely until the entire unit has been assembled and set up.
- Be careful if using power tools as they can over tighten screws and strip threads.



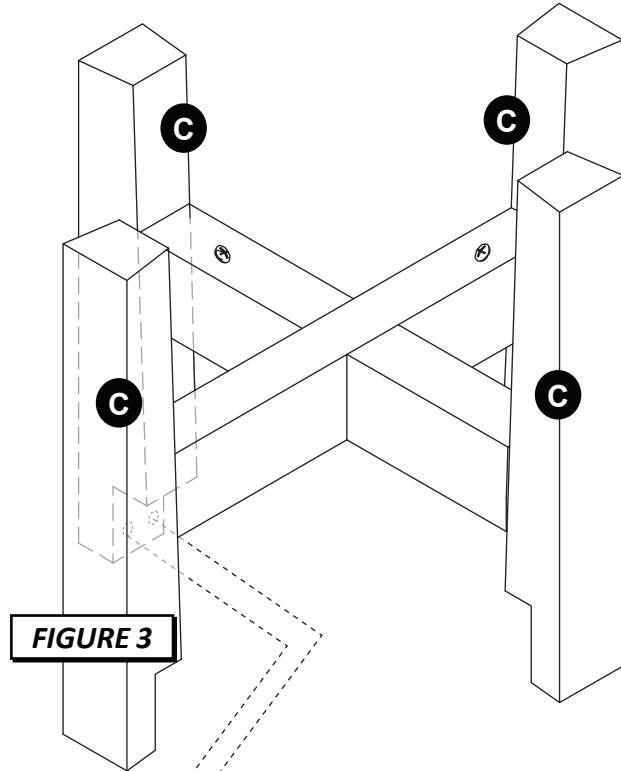
STEP 1 - Figure 1

Begin assembly by aligning the slots in Top Stretcher (A) and Bottom Stretcher (B) and inserting them together.



STEP 2 - Figure 2

Attach the Stretchers (A & B) to the Legs (C) by using 4 Screws (1) to secure them to the lower holes.



STEP 3 - Figure 3

Attach the Seat Cushion (D) to the Legs (C) by using 4 Bolts (2), 4 Spring Washers (3) and 4 Flat Washers (4) from the inside. Tighten bolts with Allen Wrench (5) provided. The assembly is now complete.

