

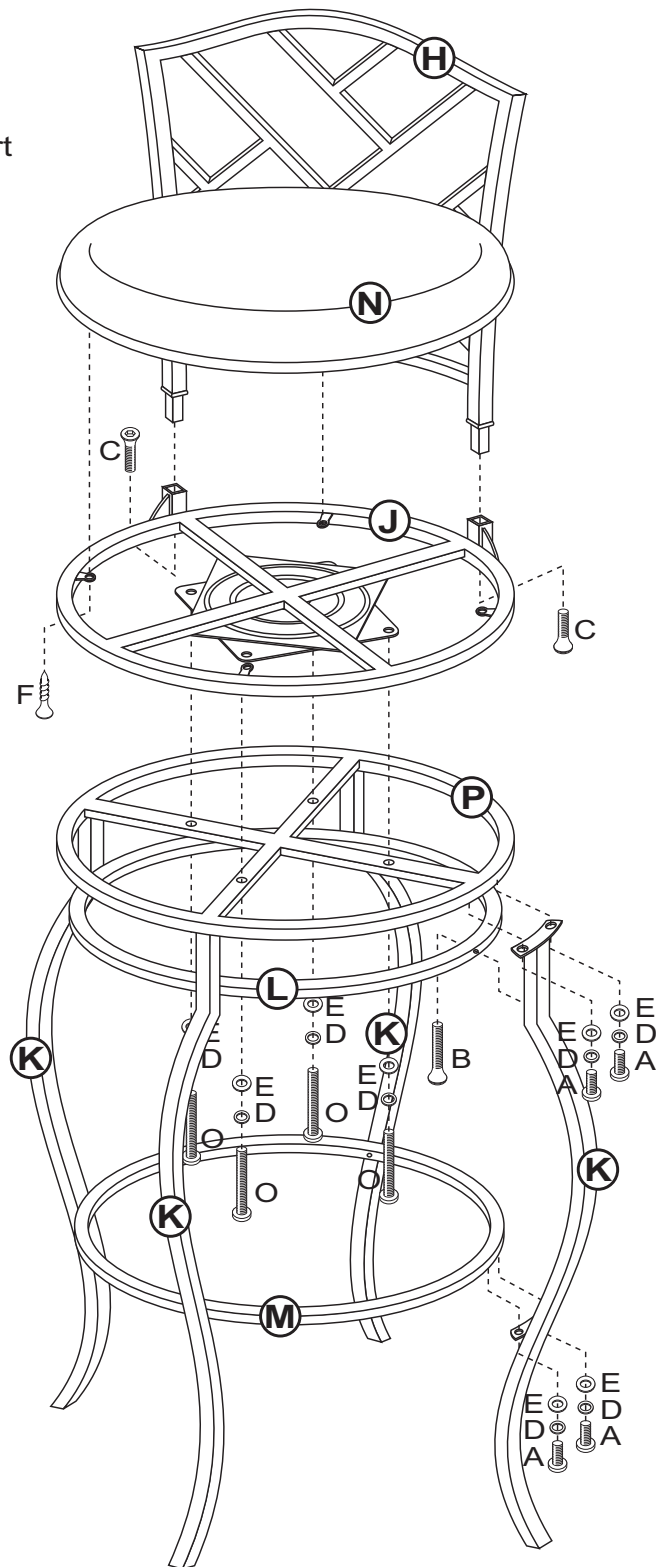
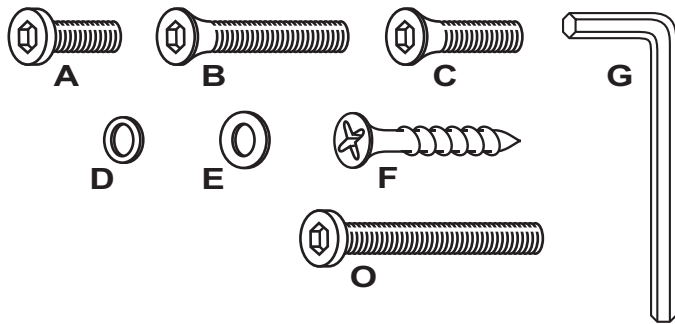
Examine all packaging material for small parts that may have come loose during shipment. Periodic checks are recommended to insure that all components are in proper position, tight and free from damage. Keep this assembly instruction for future reference. Adult assembly is required. Customer Service Phone Number: 502-562-0000

**HARDWARE LIST**

- A (16) Allen Bolts 1/4" x 15mm
- B (4) Counter Bolts 1/4" x 25mm
- C (2) Counter Bolts 1/4" x 18mm
- D (20) Spring Washers 6.5mm
- E (20) Flat Washers 6.5 mm
- F (4) Wood Screws
- G (1) Allen Wrench
- O (4) Allen Bolts 1/4" x 25mm

**PARTS LIST**

- H (1) Stool Back
- J (1) Stool Top
- K (4) Legs
- L (1) Top Support
- M (1) Lower Support
- N (1) Seat Cushion
- P (1) Stool Base



**STEP 1**

Begin assembly by attaching 2 Legs (K) to the bottom of the Stool Base (P) using 2 Allen Bolts (A), 2 Spring Washers (D) & 2 Flat Washers (E) to secure in place. Do not fully tighten bolts for this step.

**STEP 2**

Next, attach the Top Support (L) to each mounted Leg (K) using 1 Counter Bolt (B) from the inside. Also attach the Lower Support (M) to the bottom inside of each mounted Leg using 2 Allen Bolts (A), 2 Spring Washers (D) & 2 Flat Washers (E) to secure in place.

**STEP 3**

Repeat Steps 1 & 2 to assemble the remaining 2 Legs (K) and secure to Top & Lower Supports (L & M). Completely tighten all bolts here.

**STEP 4**

Attach the Stool Back (H) to the Stool Top (J) by fitting in place and securing with 1 Counter Bolt (C) per each bottom side. Tighten all bolts.

**STEP 5**

Attach the Stool Top (J) to the Stool Base (P) by aligning the holes with the swivel metal plate and securing from the bottom with 4 Allen Bolts (O), 4 Spring Washers (D) & 4 Flat Washers (E) to secure in place. Tighten all bolts.

**STEP 6**

Finally attach the Seat Cushion (N) to the top of the Stool Top (J) using 4 Wood Screws (F) to secure from the metal tabs. The assembly is now complete.