

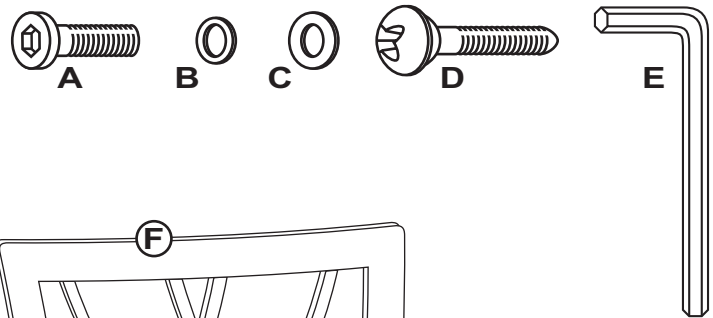
Examine all packaging material for small parts that may have come loose during shipment. Periodic checks are recommended to insure that all components are in proper position, tight and free from damage. Keep this assembly instruction for future reference. Adult assembly is required. Customer Service Phone Number: 502-562-0000

**HARDWARE LIST**

- A (12) Allen Bolts 1/4" x 5/8"
- B (12) Spring Washers 1/4"
- C (12) Flat Washers 1/4"
- D (4) Wood Screws
- E (1) Allen Wrench

**PARTS LIST**

- F (1) Stool Top
- G (4) Legs
- H (1) Support Ring
- J (1) Seat Cushion



**STEP 1**

Begin assembly by assembling each Leg (G) to the bottom of the Stool Top (F) using 2 Allen Bolts (A), 2 Spring Washers (B) & 2 Flat Washers (C) per each leg. Do not fully tighten bolts.

**STEP 2**

Next, attach the Support Ring (H) to each Leg (G) using 1 Allen Bolt (A), 1 Spring Washer (B) & 1 Flat Washer (C) to secure in place. Tighten all bolts using the Allen Wrench (E) that has been provided.

**STEP 2**

Finally, attach the Seat Cushion (J) to the Stool Top (F) using 4 Wood Screws (D). Tighten all screws only using a phillips head screwdriver (not included). The assembly is now complete.

