

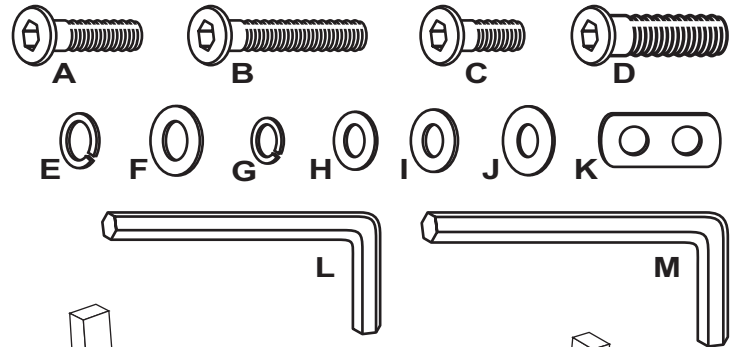
Examine all packaging material for small parts that may have come loose during shipment. Periodic checks are recommended to insure that all components are in proper position, tight and free from damage. Keep this assembly instruction for future reference. Adult assembly is required. Customer Service Phone Number: 502-562-0000

HARDWARE LIST

- A (8) Allen Bolts 1/4" x 1 1/4"
- B (4) Allen Bolts 1/4" x 2 1/4"
- C (6) Allen Bolts 1/4" x 3/4"
- D (4) Allen Bolts 5/16" x 1 3/4"
- E (4) Spring Washers 5/16"
- F (4) Flat Washers 5/16" x 19mm
- G (4) Flat Washers 5/16" x 16mm
- H (18) Spring Washers 1/4"
- I (4) Flat Washers 1/4" x 13mm
- J (14) Flat Washers 1/4" x 19mm
- K (3) Flat Metal Plates 1/4"
- L (1) Allen Wrench 4mm
- M (1) Allen Wrench 5mm

PARTS LIST

- N (1) Stool Back
- P (1) Seat Base
- R (1) Stool Base
- S (4) Legs
- T (1) Support Ring



STEP 1

Begin the assembly by attaching the Seat Base (P) to the Stool Back (N) by aligning holes and securing with 4 Allen Bolts (D), 4 Spring Washers (E) & 4 Flat Washers (F) from the inside to hold in place. Do not fully tighten bolts for this step.

STEP 2

Once in place, secure the Flat Metal Plates (K) into the open areas with 2 Allen Bolts (C), 2 Spring Washers (G) & 2 Flat Washers (J) per each plate. Tighten all bolts using the Allen Wrenches (L & M) that have been provided.

STEP 3

Attach each Leg (S) to the Stool Base (R) by inserting each in place and securing with 2 Allen Bolts (D), 2 Spring Washers (E) & 2 Flat Washers (G) per each leg. During assembly, attach the Support Ring (T) to each Leg by aligning holes and using 1 Allen Bolt (A), 1 Spring Washer (G) & 1 Flat Washer (H) per each Leg to secure in place. Tighten all bolts only after the Support Ring is in the proper location.

STEP 4

Attach the assembled Stool sections by aligning the holes on the swivel metal plate with those on the Stool Base (R) and secure with 4 Allen Bolts (B), 4 Spring Washers (G) & 4 Flat Washers (J). The assembly of your new stool is now complete.

