



CAMELOT BAKERS RACK
MODEL #41417 Page 1

Customer Service
Phone Number:
502-562-0000
Date: 10-09-02

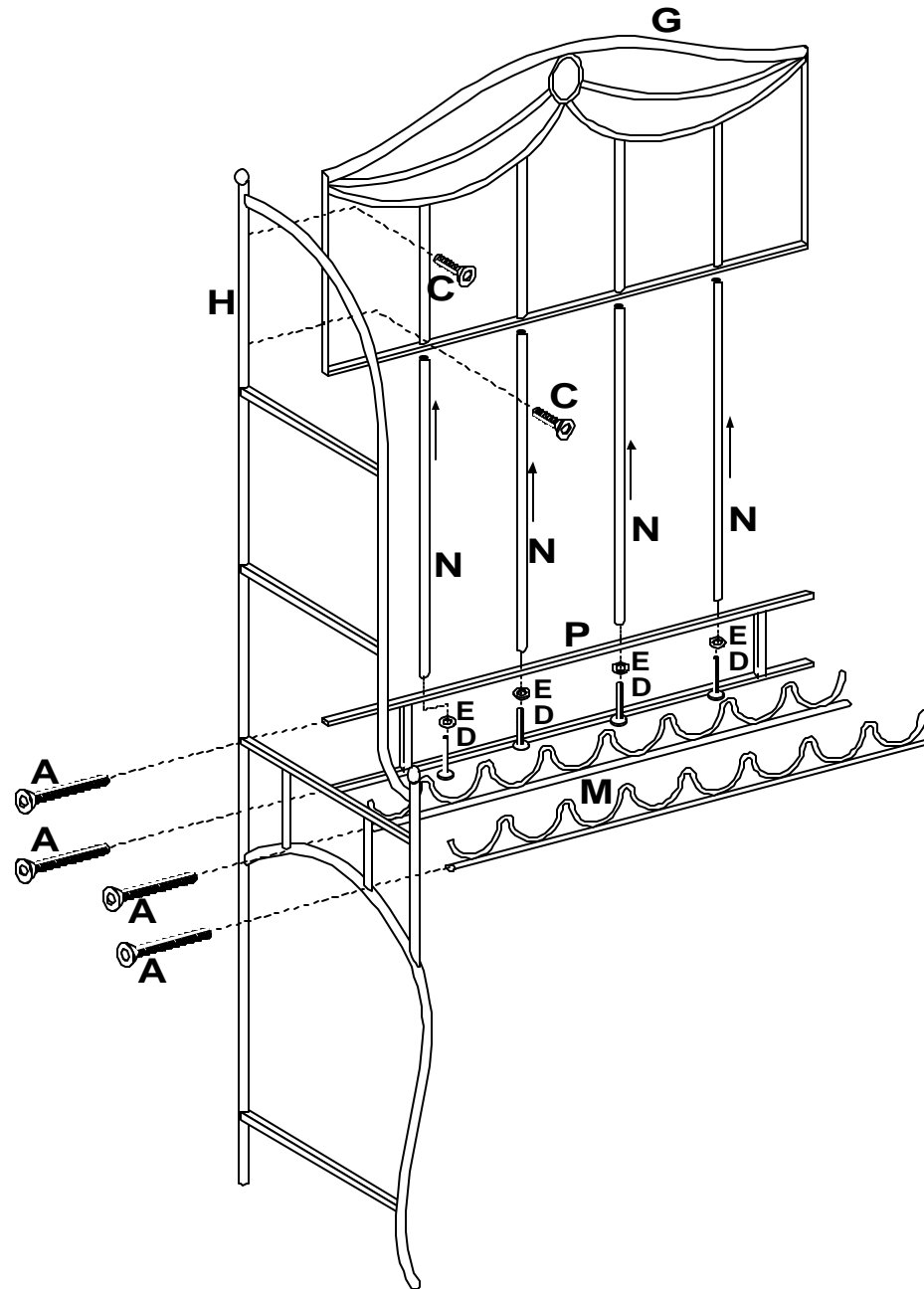
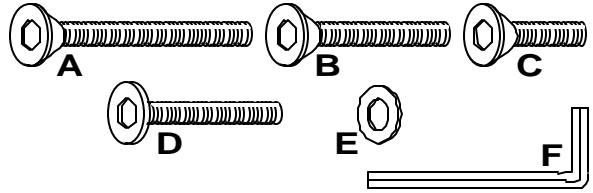
Examine all packaging material for small parts that may have come loose during shipment. Periodical checks are recommended to insure that all components are in proper position, tight and free from damage. Keep this assembly instruction for future reference.

HARDWARE & PARTS LIST

- A (8) Long Counter Sunk Bolts 1-3/4"
- B (16) Medium Counter Sunk Bolts 1"
- C (4) Short Counter Sunk Bolts 5/8"
- D (4) Allen Bolts 1"
- E (4) Metal Washers
- F (1) Allen Wrench
- P (1) Double Crossbar

HARDWARE & PARTS LIST

- G (1) Top Frame
- H (2) Side Frames
- J (2) Small Wire Shelves
- K (2) Large Wire Shelves
- L (4) Adjustable Feet
- M (1) Wine Rack Crossbar
- N (4) Vertical Crossbars



STEP ONE

Attach Double Crossbar (P) to both Side Frames (H) using 2 Long Counter Sunk Allen Bolts (A) per each side. Only Hand Tighten Bolts For This Step.

STEP TWO

Insert 4 Vertical Bars (N) onto Double Crossbar (P) using 1 Allen Bolt (D) and 1 Metal Washer (E) per each vertical bar. Tighten Bolts By Hand Only.

STEP THREE

Attach Top Frame (G) to both Side Frames (H) using 2 Short Counter Sunk Allen Bolts (C) per each side. Tighten Bolts By Hand Only.

STEP FOUR

Attach Wine Rack Crossbar (M) to both Side Frames (H) using 2 Long Counter Sunk Allen Bolts (A) per each side. Tighten All Bolts From Step 1 through Step 4 using Allen Wrench (F) that was included.

CARE & MAINTENANCE The touch of a soft cloth is all the maintenance the finish of your new Baker's Rack will ever need. Never use harsh or abrasive cleaners for polishing. Periodic checks are recommended to make sure that all hardware is securely tightened.



CAMELOT BAKERS RACK

MODEL #41417 Page 2

Customer Service
Phone Number:
502-562-0000
Date: 10-09-02

STEP FIVE

Attach Both Small Wire Shelves (J) to both Side Frames (H) using 2 Medium Counter Sunk Allen Bolts (B) per each side. Tighten All Bolts.

STEP SIX

Attach Both Large Wire Shelves (K) to both Side Frames (H) using 2 Medium Counter Sunk Allen Bolts (B) per each side. Tighten All Bolts.

STEP SEVEN

Insert Adjustable Feet (L) into bottom of each leg on Bakers Rack. Screw in and tighten firmly.

