

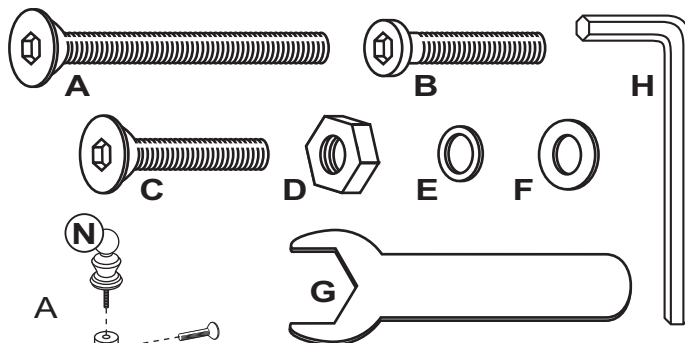
Examine all packaging material for small parts that may have come loose during shipment. Periodic checks are recommended to insure that all components are in proper position, tight and free from damage. Keep this assembly instruction for future reference. Adult assembly is required. Customer Service Phone Number: 502-562-0000

HARDWARE LIST

- A (4) Counter Bolts 1/4" x 2-3/4"
- B (4) Allen Bolts 1/4" x 1"
- C (4) Counter Bolts 1/4" x 1-1/4"
- D (4) Hex Nuts 1/4"
- E (8) Spring Washers 1/4"
- F (8) Flat Washers 1/4"
- G (1) Hex Wrench
- H (1) Allen Wrench

PARTS LIST

- J (1) Headboard Grill
- K (2) Headboard Posts
- L (2) Wrap Posts
- M (1) Post Rail
- N (6) Top Finials



MAIN FIGURE

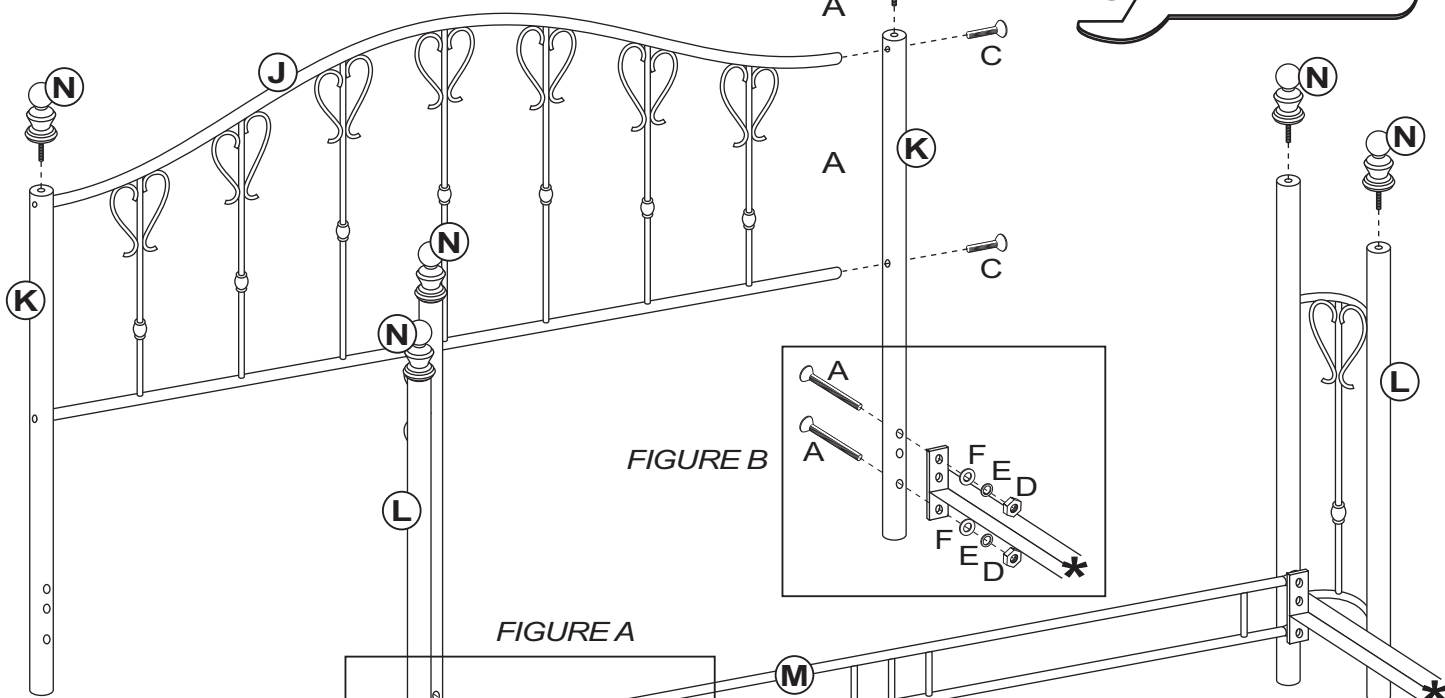


FIGURE B

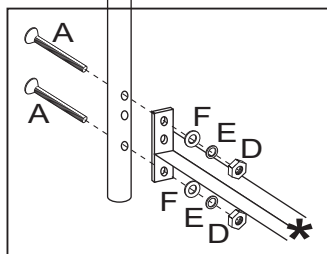
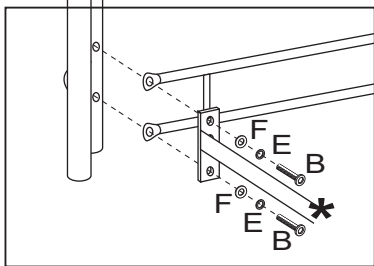


FIGURE A



STEP 1

Begin assembly by attaching each Top Finial (N) to the top of each Headboard Post (K) and each Wrap Post (L) by firmly screwing each in place. Do not overtighten. See Main Figure.

STEP 2

Next, attach each Headboard Post (K) to the Headboard Grill (J) using 2 Counter Bolts (C) per each side. Tighten all bolts using the Allen Wrench (H) that has been provided. See Main Figure.

STEP 3

Attach the Post Rail (M) to each Wrap Post (L) by aligning the holes with the holes on the Bed Frame (*Not Included) and secure each using 2 Allen Bolts (B), 2 Spring Washers (E) & 2 Flat Washers (F) per each side. Tighten all bolts. See Figure A.

STEP 4

Attach Bed Frame (*Not Included) to each Headboard Post (K) using 2 Counter Bolts (A) from the backside, 2 Flat Washers (F), 2 Spring Washers (E) & 2 Hex Nuts (D) per each side. Tighten nuts using the Hex Wrench (G) that has been provided. See Figure B. The assembly is now complete.