

Examine all packaging material for small parts that may have come loose during shipment. Periodic checks are recommended to insure that all components are in proper position, tight and free from damage. Keep this assembly instruction for future reference. Adult assembly required. Customer Service Phone Number: 502-562-0000

HARDWARE LIST

- A (4) Long Allen Bolts 1/4" x 2-1/2"
- B (4) Short Allen Bolts 1/4" x 1"
- C (8) Flat Washers 1/4"
- D (8) Spring Washers 1/4"
- E (4) Hex Nuts 1/4"
- F (1) Allen Wrench

PARTS LIST

- J (1) Headboard Panel
- K (1) Footboard Panel
- L (2) Leg Extensions
- M (4) Top Finials

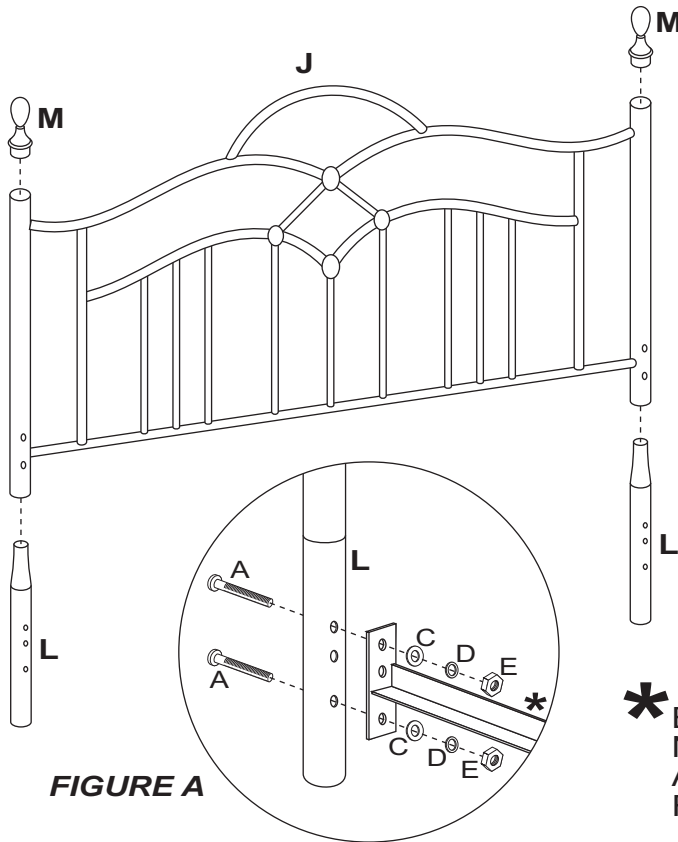
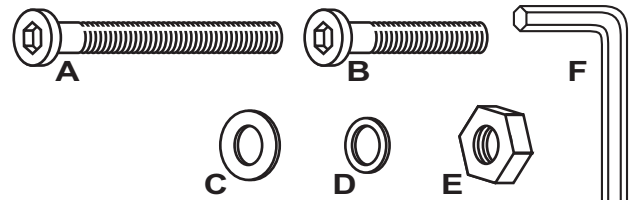


FIGURE A

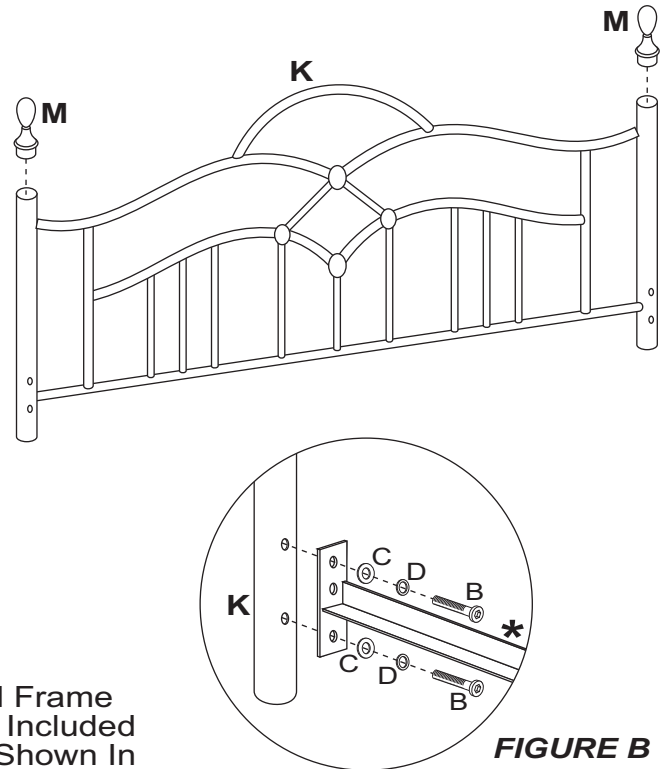


FIGURE B

* Bed Frame
Not Included
As Shown In
Figures A & B.

STEP 1

Begin assembly by inserting each Leg Extension (L) into each post on Headboard Panel (J) by firmly pressing into place. Next, insert each Top Finial (M) into the top of each Headboard & Footboard Post (J & K) by firmly pushing into place.

STEP 2 - See Figure A

Attach Bed Frame (*Not Included) to each Leg Extension (L) using 2 Long Allen Bolts (A), 2 Flat Washers (C), 2 Spring Washers (D) & 2 Hex Nuts (E) per each side. Tighten all bolts and nuts only using the Allen Wrench (F) that has been provided.

STEP 3 - See Figure B

Attach Bed Frame (*Not Included) to each post on Footboard Panel (K) using 2 Short Allen Bolts (B), 2 Spring Washers (D) & 2 Flat Washers (C) per each side. Tighten all bolts using the Allen Wrench (F) that has been provided. The assembly is now complete.