

Examine all packaging material for small parts that may have come loose during shipment. Periodic checks are recommended to insure that all components are in proper position, tight and free from damage. Keep this assembly instruction for future reference. Adult assembly required. Online Parts Request Form: www.hillsdalehouse.com/parts_request.html

PARTS LIST

- A (1) Headboard Panel
- B (2) Wood Posts

HARDWARE LIST

- C (6) Medium Allen Bolts
- D (4) Metal Washers
- E (4) Rubber Washers
- F (4) Spring Washers
- G (4) Hex Nuts
- H (1) Allen Wrench
- J (4) Long Allen Bolts

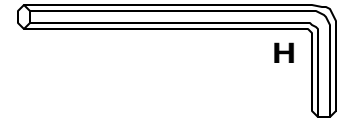
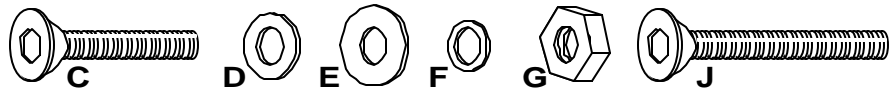


Figure 2

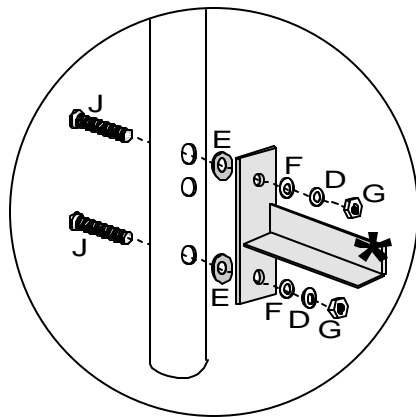
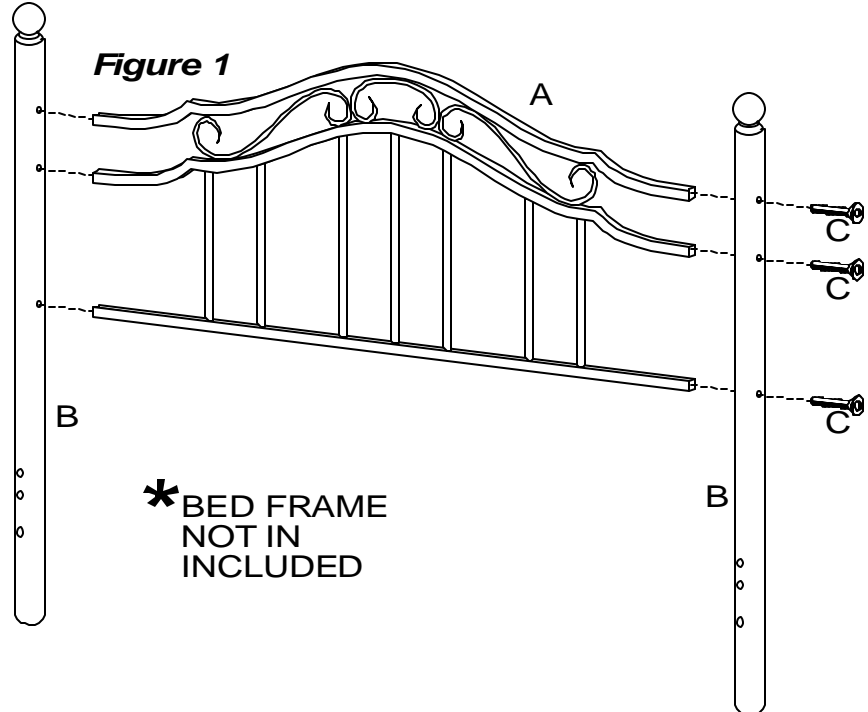


Figure 1



STEP ONE

***Assembling Duo Panels ***

Begin assembly by first attaching Headboard Panel (A) to both Wood Posts (B), using 3 Medium Allen Bolts (C) per each post. Tighten all bolts only using Allen Wrench (H) provided. See Figure 1.

STEP TWO

***Assembling Bed Frame to Headboard ***

Attach Bed Frame (*Not Included) to each Long Wood Post (B), using 2 Long Allen Bolts (J) from the back side, 2 Rubber Washers (E), 2 Metal Washers (D), 2 Spring Washers (F) & 2 Hex Nuts (G) per each post. Tighten all bolts only using Allen Wrench (H) provided. See Figure 2. Assembly is now complete.

CARE & MAINTENANCE: The touch of a soft cloth is all the maintenance the finish will ever need. Please do not use harsh or abrasive cleaners for polishing, as they may cause damage to the finish. Periodic checks are recommended to make sure that all bolts, screws and nuts are securely tightened.